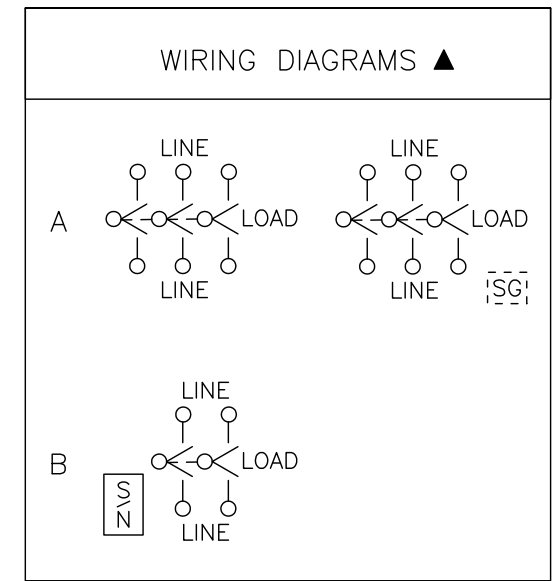


NEMA TYPE 3R ILLUSTRATED



TERMINAL LUGS			
AMPERES	MAX. WIRE	MIN. WIRE	TYPE
200	300 KCMIL	# 6 AWG	AL/CU

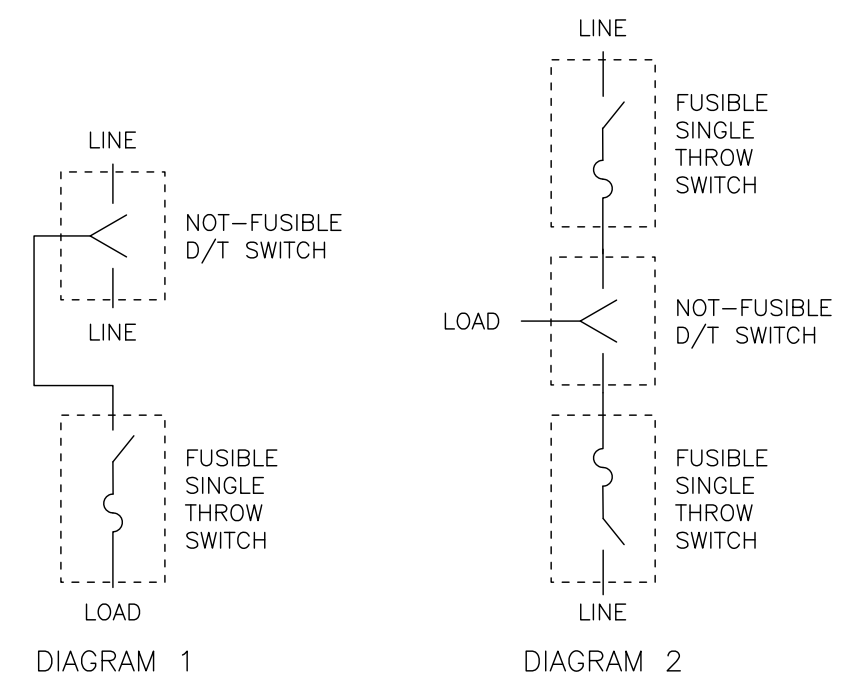


DIAGRAM 1 AND 2 ILLUSTRATE METHODS OF APPLYING FUSES TO DOUBLE THROW SWITCHES WHEN REQUIRED.

DUAL DIMENSIONS: INCHES MILLIMETERS

NOTES:  
 FINISH - GRAY BAKED ENAMEL  
 UL LISTED - FILE E-2875 CSA CERTIFIED - FILE # LL-89067  
 SUITABLE FOR USE AS SERVICE EQUIPMENT IN THE U.S.  
 SHORT CIRCUIT CURRENT RATING:  
 10,000 AMPERE WHEN PROTECTED BY CLASS H OR K FUSES.  
 82,000 LINE AND DTU DEVICES ARE QUICK-MAKE, QUICK-BREAK.  
 ▲ TOP OF NEMA TYPE 3R DEVICES HAVE PROVISIONS FOR MAXIMUM 2.50/[64] BOLT-ON HUB.  
 ▲ SERVICE GROUND NOT SUPPLIED. ORDER SEPARATELY AS SERVICE EQUIPMENT.  
 \* WHEN CSA CERTIFICATION IS REQUIRED ORDER CATALOG NO C82344RB.  
 & FACTORY INSTALLED NEUTRAL FOR 200A, 3 PHASE, 4-WIRE, 480 VAC/250 VDC, 82344 NRB IS SQUARE D SELF CERTIFIED AND IS NOT UL LISTED.

CATALOG NUMBER	VOLTAGE RATINGS	WIRING DIAG.	HORSEPOWER RATINGS		KNOCKOUTS ◆	
			240VAC	480VAC	BOTTOM	LEFT SIDE
DTU224NRB &*82344RB	240VAC 480VAC;250VDC	B A	15 - 1Ø -	- 15 - 3Ø	(1) 1.25,1.50,2.00,2.50 (2) 1.50,2.00 (1) 1.25,1.50,2.00,2.50 (2) 1.50,2.00	(1) 1.00,1.50,2.00,2.50 (1) 1.00,1.50,2.00,2.50

DOUBLE THROW SAFETY SWITCHES  
 200 AMPERE  
 ENCLOSURE - NEMA TYPE 3R RAINPROOF

**SQUARE D**  
 by Schneider Electric

DWG# 2197  
 NO.