

Terminal Blocks

Type AB1

Catalog
9080CT9901R7/07

07

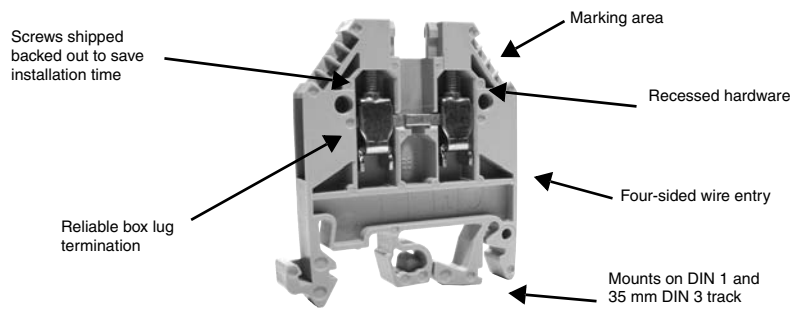


1 – General overview	1/1
2 – Spring technology	2/1
3 – Screw clamp technology	3/1
4 – Insulation displacement technology	4/1
5 – Mounting and marking accessories	5/1
6 – Circuit protectors	6/1
7 – Appendices	7/1

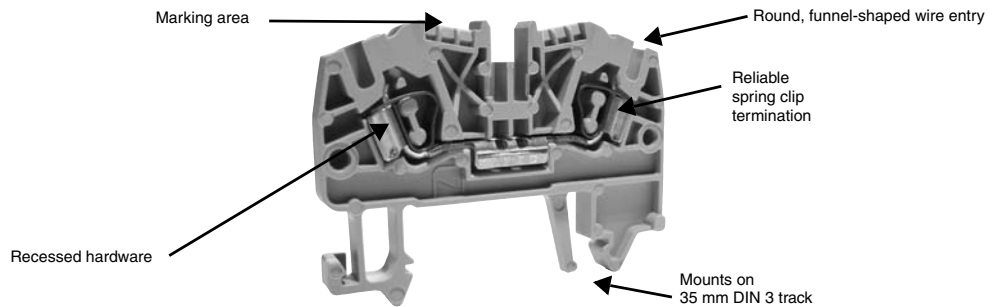
Specifications

Materials	Block Housing	Nylon 6-6
	Clamp	Zinc-plated steel with chromate film
	Bus Bar	Zinc-plated steel
	Screws	Zinc-plated steel with chromate film
Temperature Rating	Ambient Temperature	-40 to 221 °F (-40 to 105 °C)
Flammability Rating	Gray Blocks	UL 94V-0
	All other colors	UL 94V-2
Dielectric Strength		80 kV/mm

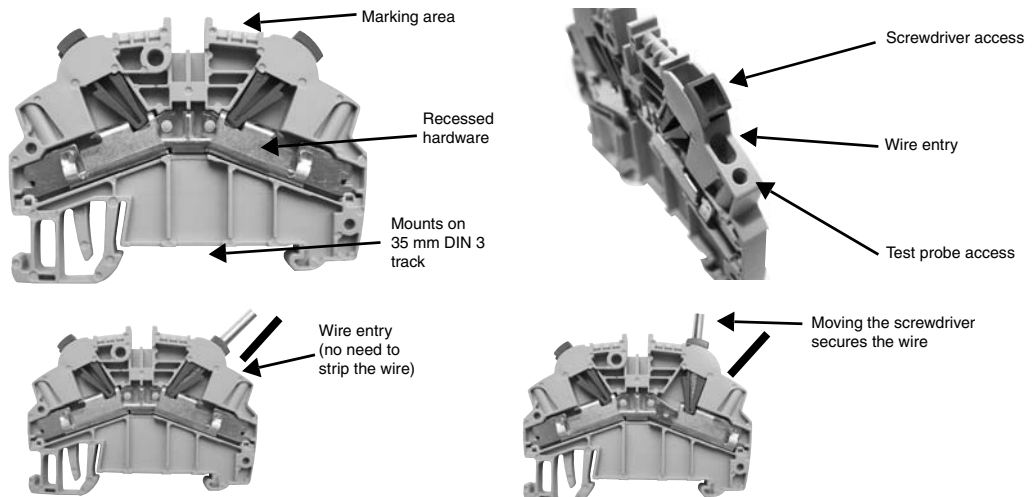
Box Lug Termination



Spring Clip Termination



Insulation Displacement Termination



1 - Terminal Blocks, Type AB1

General Overview

	<i>Page</i>
Product description	<i>1/2</i>
Characteristics and specifications	<i>1/6</i>
Product certifications	<i>1/8</i>

General

All electrical equipment or installations require the connection of cables or wires to ensure the flow of very low to very high currents.

Depending on the application, there are several types of connection:

- Spring terminal
- Screw terminal
- Insulation displacement

New spring technology terminal blocks

Description of new terminal blocks AB1RRN

The new AB1RRN terminal blocks use spring technology, the most cost-effective connection technique on the market. Compared with screw clamp technology, this technique significantly reduces wiring time. It could also eliminate the need for regular retightening.

By virtue of their spring technology, the AB1RRN terminal blocks offer the versatility of accepting:

- Stranded wire
- Stranded wire with cable ends
- Solid wire

The material used (polyamide 6.6) provides better resistance at high temperatures. The flammability rating of these products is V0 according to UL 94.

Advantages of this technology

Spring technology offers the following advantages:

- Resistance to vibration and jolts
- Wide range of wire sizes
- Possibility of distributing the potential with use of jumpers
- Several surfaces available for marking
- Possibility of testing all the terminal blocks
- Numerous certifications (see the tables beginning on page 1/10).

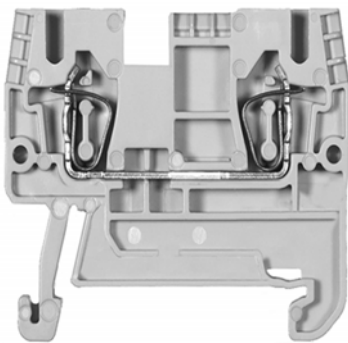
Connection functions

The following products are available, depending on the application:

- Passthrough
- Grounding
- Disconnect
- Double deck disconnect
- Plug-in disconnect
- Double deck
- Double deck for grounding
- Double deck with vertical connection

Installation of AB1RRN spring technology terminal blocks

Installation of spring technology terminal blocks is quick and simple. A screwdriver is used to open the connection point so that the conductor can be inserted into the cage. As soon as the screwdriver is pulled out, spring pressure automatically makes the contact.



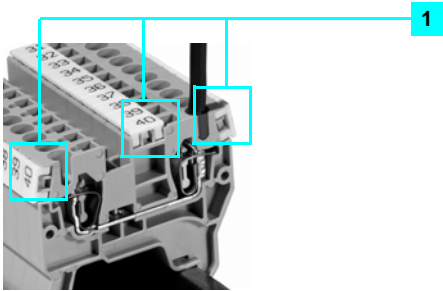
Terminal block type AB1RRN



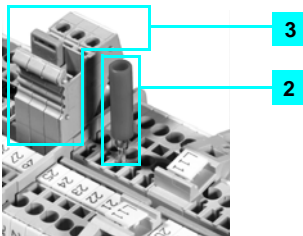
Principle of spring technology



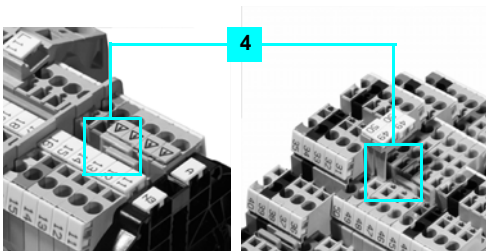
Simplified installation



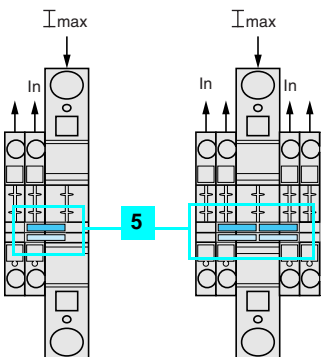
Marking facilities



Testing and adaptation



Interconnection by jumpers



Interconnection by potential distribution terminal block

New spring technology terminal blocks (continued)

Mounting accessories

The AB1RRN range includes a series of accessories, which allow:

■ quick and easy marking

The availability of clear and legible marking facilities is essential for completing an installation in a minimum amount of time. The AB1RRN range allows easy marking in the center and on the sides of the products **1**.

■ testing and adaptation

Each terminal block in the AB1RRN range can be fitted with a test plug in direct contact with the conductors **2**.

With modular test connectors **3**, on the other hand, test adapters can be assembled individually; they also provide a marking facility.

■ interconnection of the terminal blocks

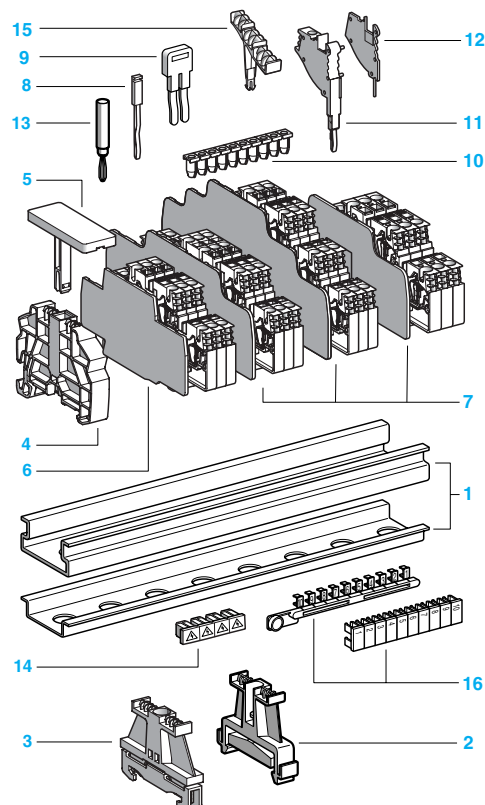
Insulated jumpers (2- to 10-pole) make it possible to jumper a large number of terminal blocks **4**; this significantly reduces wiring time.

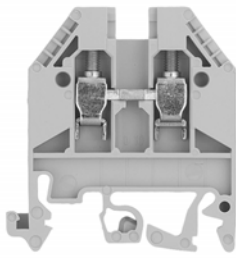
You can also interconnect terminals with a large wire size (16 mm²) and those with a small wire size (2.5 and 4 mm²) via the potential distribution terminal block **5**.

Typical scheme of a spring connection with its accessories

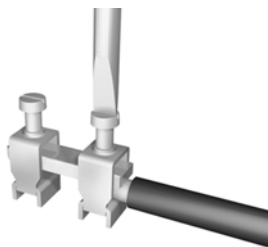
The following accessories can be used with AB1RRN terminal blocks:

- | | | | |
|---|---|----|---|
| 1 | 25 or 35 mm DIN3 rail
(7.5 and 15 mm high) | 9 | Insulated jumper |
| 2 | Plastic end clamp with screw | 10 | Wire guide entry strip |
| 3 | Metal end clamp with screw | 11 | Modular test connector |
| 4 | Clip-on plastic end clamp | 12 | Modular test connector end plate (gray) |
| 5 | Marker tag holder for clip-on plastic end clamp | 13 | Test plug (red) |
| 6 | End plate (thickness 1.5 mm) | 14 | Terminal cover |
| 7 | Partition plate (thickness 1.5 mm) | 15 | Marker tag holder |
| | | 16 | Marking accessories |

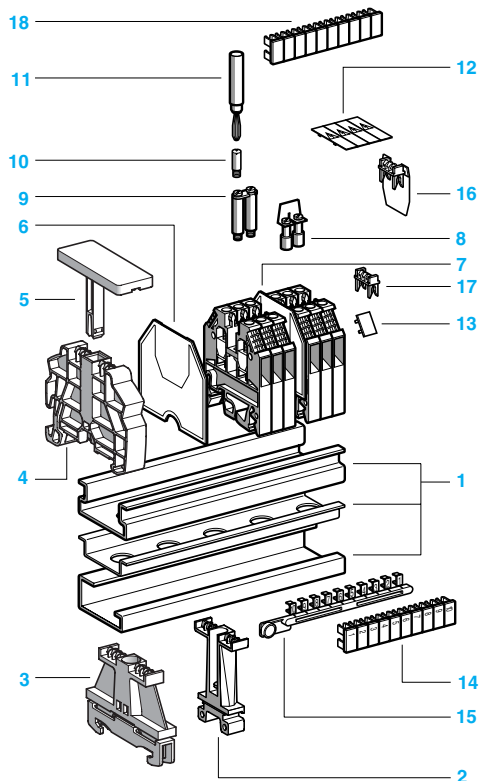




Terminal block type AB1VV



Principle of screw clamp technology



Screw clamp technology terminal blocks

Description

AB1VV screw clamp technology terminal blocks are well known and widely used throughout the world. They are suitable for the vast majority of connection applications, thanks to their wide range of functions and connection options.

AB1VV terminal blocks improve the quality, safety, and operational availability of equipment. They also optimize the setup and operation of installations, thanks to their simplicity and integrated functions.

The material used (polyamide 6.6) provides better resistance at high temperatures. The flammability rating of these products is V0 according to UL 94.

Advantages of this technology

Screw clamp technology offers the following advantages:

- Numerous connection functions
- Wide range of wire sizes
- Several surfaces available for marking
- Test facility
- Numerous certifications (see the tables beginning on page 1/10).

Connection functions

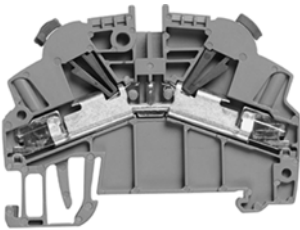
The following products are available, depending on the application:

- Passthrough
- Grounding
- Blade disconnect
- Fused disconnect
- Disconnect (removable carrier), for diode, resistor, or cylindrical fuse
- Disconnect (fixed carrier), for diode, resistor, or cylindrical fuse
- Fixed carrier, for cylindrical fuse
- Double deck, multi-pole
- Double deck
- For 3-wire proximity sensors
- Multifunction
- For neutral conductors
- Passthrough with Telequick universal foot
- Lug-lug type
- Lug-clamp type
- Miniature passthrough

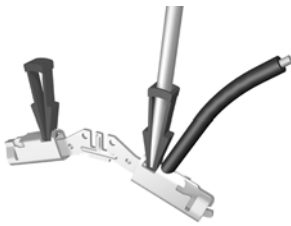
Mounting accessories (for AB1VV screw clamp terminal blocks, 2.5 mm²)

The following accessories can be used with AB1VV terminal blocks:

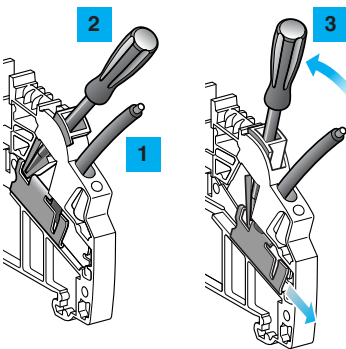
- | | |
|-------|---|
| 1 | 25 or 35 mm DIN3 rail (7.5 and 15 mm high) |
| 2 | Plastic end clamp with screw |
| 3 | Metal end clamp with screw |
| 4 | Clip-on plastic end clamp |
| 5 | Marker tag holder for clip-on plastic end clamp |
| 6 | End plate (thickness 1.5 mm) |
| 7 | Partition plate (thickness 1.5 mm) |
| 8 | Jumpers with screws |
| 9 | Jumpers for 2 blocks |
| 10 | Socket for test plug |
| 11 | Test plug |
| 12 | Terminal covers |
| 13/15 | Marking accessories |
| 16 | Yellow partition plate |
| 17/18 | Yellow protective cover |



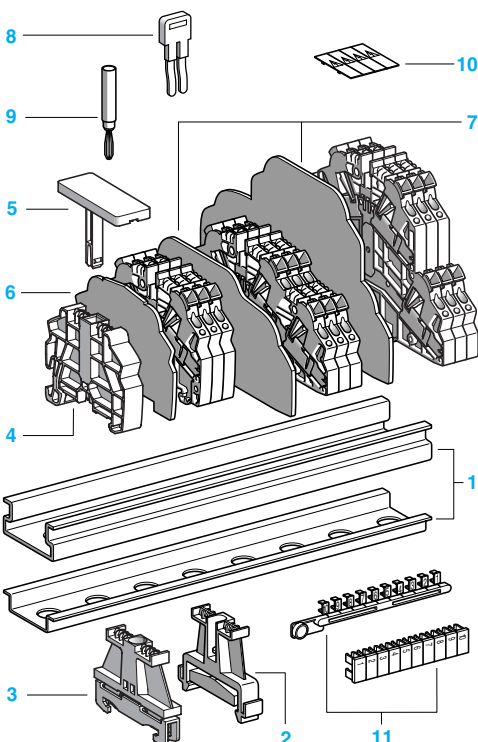
Terminal block type AB1AA



Principle of insulation displacement technology



Installation of insulation displacement technology



Insulation displacement technology terminal blocks

Description

AB1AA terminal blocks use insulation displacement technology, which eliminates the need to strip wires prior to assembly.

AB1AA terminal blocks are made of polyamide 6.6, the same material as screw and spring terminal blocks.

Two widths are available :

- 5 mm for a wire size of 18–30 AWG (0.2–1 mm²)
- 6 mm for a wire size of 14–18 AWG (1–2.5 mm²)

Various colors are available—red, blue, black, and yellow/green—depending on the application where the terminal block is used.

Advantages of this technology

Insulation displacement technology offers the following advantages:

- Fast installation: 60% time savings
- No need to strip or crimp wires
- No special tools required
- Resistance to vibrations, since the technology does not rely on screws that can come loose

Connection function

The following products are available, depending on the application:

- Passthrough
- Grounding
- Double deck
- Blade disconnect
- Plug-in disconnect

Installation

Installation of these terminal blocks is carried out in three stages:

- Cutting the wire to the required length and, without stripping it, inserting it into the wire guide **1**.
- Inserting a screwdriver into the hole provided **2**.
- Lifting the screwdriver toward the center of the terminal block. The test point checks that contact has been made **3**.

Recommendations for installation :

- Use a 3–3.5 mm standard, flat screwdriver.
- Insert the screwdriver fully into its guide.
- Cut off the end of the wire if a new connection is to be made.
- UL 1059 specifies that insulation displacement terminal blocks may be reused 10 times.

Mounting accessories

AB1AA insulation displacement terminal blocks use the same accessories as spring terminal blocks:

- 1 25 or 35 mm DIN3 rail (7.5 and 15 mm high)
- 2 Plastic end clamp with screw
- 3 Metal end clamp with screw
- 4 Clip-on plastic end clamp
- 5 Marker tag holder for clip-on plastic end clamp
- 6 End plate (thickness 1.5 mm)
- 7 Partition plate (thickness 1.5 mm)
- 8 Insulated jumpers
- 9 Test plug (red)
- 10 Terminal covers
- 11 Marking accessories



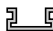



General characteristics

Terminal blocks	Technology	Spring	Insulation displacement	Screw
	Catalog number	AB1RRN***	AB1AA***	AB1VV***
Component materials	Insulating case	Polyamide 6.6		
	Connector and screw	Zinc chromated steel		
	Jumper	Copper or brass		

Electrical and thermal characteristics of insulating case (polyamide 6.6)









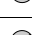

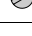
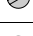





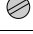




















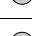
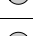

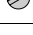




Dielectric strength	Conforming to VDE 0303-T21 and IEC60243-1	kV/mm	80/65
Dielectric loss Tan coefficient at 1 MHz	Conforming to VDE0303-T4 and IEC60250	—	0.01
Dielectric constant at 1 MHz		—	3.7
Resistivity	Conforming to VDE0303-T30 and IEC60093	Ω.cm	10 ¹²
Surface resistance	Conforming to VDE0303-T30 and IEC60093	Ω	10 ¹⁰
Creep resistance	Conforming to VDE0303-T30 and IEC60093	CTI (kV)	500 (> 400)
Ambient air temperature	Conforming to VDE0304-T21 and IEC60216-1	°F (°C)	Operation: -40...+266 (-40...+130)
Flammability rating	Conforming to UL 94	Class/mm thickness	V-0 / 0.8

Mounting rail characteristics

Mounting rail type							
Dimensions, width x depth x thickness	mm	35 x 7.5 x 1	35 x 15 x 1.5	35 x 15 x 1	35 x 15 x 1.5	32 x 15 x 1.5	35 x 16 x 1.8
Material		Steel	Steel	Steel	Steel	Steel	Aluminium

Nominal wire sizes

ISO metric size	U.S. wire size		Diameter	
	mm ²	AWG	kcmil	in.
0.13	24	—	0.02	0.20
0.25	22	—	0.03	0.33
0.5	20	—	0.04	1.02
0.75	18	—	0.05	1.28
1	—	—	—	—
1.5	16	—	0.06	1.6
2.5	14	—	0.08	2.08
4	12	—	0.11	2.7
6	10	—	0.12	3.09
10	8	—	0.13	3.36
16	6	—	0.17	4.32
25	4	—	0.23	5.73
35	2	—	0.29	7.26
50	(1/0) 0	—	0.48	12.08
70	(2/0) 00	—	0.53	13.54
95	(3/0) 000	—	0.60	15.33
—	(4/0) 0000	—	0.68	17.22
120	—	250	0.75	19.01
150	—	300	0.81	20.48
185	—	350	0.87	22.05
240	—	500	1.05	26.57
300	—	600	1.18	30.03

Terminal screw type	Catalog number	Screws		Catalog number	Screws	
		Ø	Type		Ø	Type
	AB1VV235***	M2.5		AB1FUSE435****	M3	
	AB1VV435***	M3		AB1FV135U	M3	
	AB1VV635***	M3.5		AB1NEN435U	M3	
	AB1VVN1035***	M3.5		AB1SC435****	M3	
	AB1VVN1635***	M6		AB1TP215	M3	
	AB1VVN3535***	M6		AB1TP435U	M3	
	AB1VVN7035***	M8		AB1TRNN435	M3	
	AB1VVN15035***	M10		AB1TRPN435	M3	
	AB1B•9535	M12		AB1TRPN435UFM	M3	
	AB1B•15035	M12		AB1TRSN435	M3	
	AB1B•18535	M12		AB1VV415	M3	
	AB1B•24035	M12		AB1ET435U****	M3	
	AB1VV215**	M2.5		AB1TP635U	M4	
	AB1DDP235***	M2.5		AB1FU10135U•	M5	
	AB1ET3235****	M2.5		AB1FU10235U	M5	
	AB1BD101	M3		AB1FU10335U	M5	
	AB1BD102	M3		AB1FU10435U**	M5	
	AB1D11435U	M3		AB1NEN1035U	M5	
	AB1ET435****	M3		AB1TP1035U	M5	
	AB1ETN235U	M3		AB1NEN1635U	M6	
	AB1ETN335U	M3		AB1TP1635U	M5	
	AB1ETN435U	M3		AB1TP3535U	M6	
	AB1ETNTP435U	M3		AB1AB8M35	—	—
	AB1FC335U	M3		AB1AB8P35	—	—

Product certifications

Introduction

In some countries, certification of certain electrical components is required by law. In this case, a certificate of conformity must be issued by an official test body. Each certified device must bear the relevant certification symbols when these are mandatory.

Code	Certification body	Country
ASEV	Schweizerischer Elektrotechnischer Verein	Switzerland
CSA	Canadian Standards Association	Canada
KEMA	Keuring van Electrotechnische Materialen	Netherlands
UL	Underwriters Laboratories	United States
VDE	Verband Deutscher Elektrotechniker	Germany
ATEX	See "ATEX Directive" below	Europe
FM	Factory Mutual	United States
UL ex	Underwriters Laboratories	United States
CSA ex	Canadian Standards Association	Canada

In general, prior approval (= certification) by certain marine classification authorities is required for electrical equipment intended for use on board merchant vessels.

Code	Marine classification authority	Country
BV	Bureau Veritas	France
DNV	Det Norske Veritas	Norway
GL	Germanischer Lloyd	Germany
LR	Lloyd's Register	Great Britain
RINA	Registro Italiano Navale	Italy

The tables beginning on page 1/10 show the status of certifications for terminal blocks as of December 31, 2006. An up-to-date list of certifications for Telemecanique® products is available on our website, www.Telemecanique.com.

The ATEX Directive

All devices and equipment intended for use in potentially explosive atmospheres created by the presence of flammable gas, vapor, or dust must conform to the requirements of European Directive 94/9/CE, more generally known as the ATEX 100a directive. "ATEX" is derived from the French term "ATmosphère EXplosible" (explosive atmosphere).

Standards EN 50014, EN 50019 and EN 50281-1-1 apply to terminal blocks in hazardous areas, requiring increased safety (EEx e).

Meaning of markings

In compliance with the ATEX 100a directive, the markings on Telemecanique terminal blocks have the following meaning:

XXX	Identification number of the Notified Body
Ex	Use of the equipment in a potentially explosive atmosphere
II	Device group: II = Surface industries
2	Device category: 2 = Zone 1 (gas) / Zone 21 (dust)
GD	Type of explosive atmosphere: G = (gas), D = (dust)
EEx	Equipment conforming to the type of protection specified by CENELEC
e	Type of protection: e = increased safety

Introduction (continued)

In addition to the ATEX, KEMA 01ATEX2087U, KEMA 02ATEX2113U and KEMA 02ATEX2114U certificates issued for Telemecanique terminal blocks, these blocks have also been certified by the following bodies for Hazardous Locations:

Factory Mutual, U.S.

Class I, Zone 1	Zone classification
AEx	Equipment conforming to national standards (United States)
e	Type of protection: e = increased safety
II	Gas group
T6	Temperature class: T6 = 185 °F (85 °C)



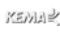







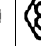

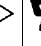
CSA-Ex, Canada

Class I, Zone 1	Zone classification
Ex	Equipment conforming to Canadian standards
e	Type of protection: e = increased safety
II	Gas group
T6	Temperature class: T6 = 185 °F (85 °C)

Installation recommendations for EEx e applications

For EEx e applications (applications in explosive atmospheres requiring increased safety) the following installation precautions must be taken:











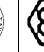

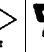

- If terminal blocks are installed next to terminal blocks of a different size, or next to terminal blocks for grounding, the open side of a group of terminal blocks of the same type must be closed off with an end plate or a partition plate.
- To maintain the required clearances when adjacent terminal blocks are connected by a jumper, a partition plate must be inserted between each group of terminal blocks, at the beginning and end of each group of jumpered blocks.
- The terminal blocks must only be used inside enclosures that have a degree of protection not less than IP54.














Product certifications													
<div style="background-color: #00A09A; width: 15px; height: 10px; display: inline-block; margin-right: 5px;"></div> Certifications held by Schneider Electric	Marine classification authorities												
													
Germany	Switzerland	Netherlands	United States	Canada	Germany	Great Britain	Norway	France	Italy	Europe	United States	United States	Canada
Spring technology													
AB1RRN235U2BL	(1)												
AB1RRN235U2GR	(1)												
AB1RRN235U3BL	(1)												
AB1RRN235U3GR	(1)												
AB1RRN235U4BL	(1)												
AB1RRN235U4GR	(1)												
AB1RRN435U2BL	(1)												
AB1RRN435U2GR	(1)												
AB1RRN435U3BL	(1)												
AB1RRN435U3GR	(1)												
AB1RRN435U4BL	(1)												
AB1RRN435U4GR	(1)												
AB1RRN635U2BL	(1)												
AB1RRN635U2GR	(1)												
AB1RRN635U3BL	(1)												
AB1RRN635U3GR	(1)												
AB1RRN1035U2BL	(1)												
AB1RRN1035U2GR	(1)												
AB1RRN1035U3BL	(1)												
AB1RRN1035U3GR	(1)												
AB1RRN1635U2BL	(1)												
AB1RRN1635U2GR	(1)												
AB1RRN1635U3BL	(1)												
AB1RRN1635U3GR	(1)												
AB1RRN3535U2BL													
AB1RRN3535U2GR													
AB1RRNET235T6	(1)											(1)	
AB1RRNET235U4	(1)												
AB1RRNET235U6	(1)												
AB1RRNET435U4	(1)												
AB1RRNETP235T6	(1)												

(1) Certification pending

Product certifications (continued)															
Certifications held by Schneider Electric	VDE	ASEV	KEMA	UL	CSA	Marine classification authorities						ATEX	FM	UL-Ex	CSA-Ex
						GL	LR	DNV	BV	RINA	Europe				
Certifications held by the manufacturer	Germany	Switzerland	Netherlands	United States	Canada	Germany	Great Britain	Norway	France	Italy	Europe	United States	United States	Canada	
Spring technology (continued)															
AB1RRNETP235U4	(1)														
AB1RRNETP235U6	(1)												(1)		
AB1RRNETP435U4	(1)														
AB1RRNETV235T6	(1)														
AB1RRNETV235U4	(1)														
AB1RRNETV235U6	(1)												(1)		
AB1RRNETV435U4	(1)														
AB1RRNP235UNO	(1)														
AB1RRNR1635UGR		(1)											(1)	(1)	
AB1RRNSC235U2	(1)														
AB1RRNSC235U3	(1)														
AB1RRNSC235U4	(1)														
AB1RRNSCE235U4	(1)														
AB1RRNSCE235U5	(1)														
AB1RRNSF435UGR	(1)			(1)	(1)										
AB1RRNTP235U2	(1)														
AB1RRNTP235U3	(1)														
AB1RRNTP235U4	(1)														
AB1RRNTP435U2	(1)														
AB1RRNTP435U3	(1)														
AB1RRNTP435U4	(1)														
AB1RRNTP635U2	(1)														
AB1RRNTP635U3	(1)														
AB1RRNTP1035U2	(1)														
AB1RRNTP1035U3	(1)														
AB1RRNTP1635U2	(1)														
AB1RRNTP1635U3	(1)														
AB1RRNTP3535U2															

(1) Certification pending

Product certifications (continued)														
<div style="background-color: #00A09A; width: 15px; height: 10px; display: inline-block; margin-right: 5px;"></div> Certifications held by Schneider Electric <div style="background-color: #ADD8E6; width: 15px; height: 10px; display: inline-block; margin-right: 5px; margin-top: 5px;"></div> Certifications held by the manufacturer	Marine classification authorities													
														
Germany	Switzerland	Netherlands	United States	Canada	Germany	Great Britain	Norway	France	Italy	Europe	United States	United States	Canada	
Screw clamp technology														
AB1BB***35														
AB1BB9535														
AB1BC**035														
AB1BC9535														
AB1BD10*														
AB1D11435U														
AB1DDP235T**														
AB1DDP235U														
AB1DDP235U**														
AB1ET3235U***														
AB1ET435U														
AB1ET435U2														
AB1ET435U2DRO/UBGE/ UBHGE/UBRO/UBVE/UHBRO														
AB1ET435UTP														
AB1ETN435U														
AB1ETNTP435U														
AB1F**35U														
AB1FU10*35U														
AB1FU10135UB/UU														
AB1FU10435UB/UFS														
AB1FUSE435U***														
AB1FV135U														
AB1NEN*****														
AB1SC435U*****														
AB1SF435U														
AB1TP1*35U														
AB1TP215														

Product certifications (continued)													
<div style="background-color: #00A69A; width: 15px; height: 10px; display: inline-block; margin-right: 5px;"></div> Certifications held by Schneider Electric	Marine classification authorities												
													
Germany	Switzerland	Netherlands	United States	Canada	Germany	Great Britain	Norway	France	Italy	Europe	United States	United States	Canada
Screw clamp technology (continued)													
AB1TP235U													
AB1TP3535U													
AB1TP435U													
AB1TP635U													
AB1TRNN435													
AB1TRPN435***													
AB1TRSN435													
AB1VV215**													
AB1VV235U**													
AB1VV415													
AB1VV435U***													
AB1VV635U***													
AB1VVN1035U**													
AB1VVN15035U**													
AB1VVN1635U**													
AB1VVN3535U**													
AB1VVN7035U**													
Insulation displacement technology													
AB1AA135U***													
AB1AA235U***													
AB1AAET135UGR													
AB1AAET235UGR													
AB1AAET235UBGE/UBRO/ UGE/URO													
AB1AASC•35U**													
AB1AASF•35UGR													
AB1AATP135U•													
AB1AATP235U•													

(1) Certification pending

2 - Terminal Blocks, Type AB1 Spring Technology

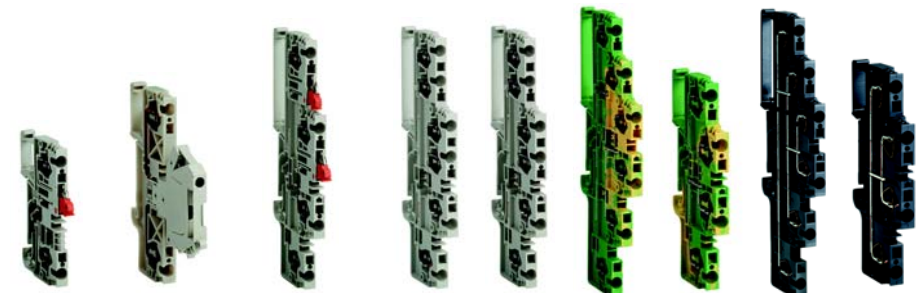


	<i>Page</i>
<i>Selection guide</i>	<i>2/2</i>
Passthrough type terminal blocks	2/4
■ Passthrough distribution	2/11
Grounding type terminal blocks	2/19
Disconnect type terminal blocks	
■ Blade type	2/32
■ Plug-in type	2/35
■ Double deck blade type	2/36
Double deck terminal blocks	2/38

Applications (connection)	Passthrough		Grounding
	Passthrough	Distribution (1)	



Nominal wire size, AWG (mm ²)	12 (2.5)	10 (4)	8-4 (6-16)	2 (35)	4 (16)	12-16 (2.5-4)	8-4 (6-16)	2 (35)	
Number of poles									
1 - 1 x 1	•	•	•	•	•	•	•	•	
1 - 1 x 2	•	•	•	—	—	•	•	—	
1 - 2 x 2	•	•	—	—	—	•	—	—	
1 - 2 x 4	—	—	—	—	—	—	—	—	
1 - 3 x 3	—	—	—	—	—	—	—	—	
2 - 1 x 1	•	—	—	—	—	—	—	—	
2 - 1 x 2	—	—	—	—	—	—	—	—	
3 - 1 x 1	—	—	—	—	—	—	—	—	
Clip-on mounting on									
35 mm	•	•	•	•	•	•	•	•	
35 mm	•	•	•	•	•	•	•	•	
Colors									
Gray	•	•	•	•	•	—	—	—	
Blue	•	•	•	•	—	—	—	—	
Green/yellow	—	—	—	—	—	•	•	•	
Black	•	—	—	—	—	—	—	—	
Catalog numbers	AB1RRN**35U*** AB1RRNP235UNO					AB1RRNR	AB1RRNTP		
Pages	Marking accessories		See pages 5/2 and 5/3.						

(1) Potential distribution terminal block: allows interconnection of terminals with a large wire size (16 mm²) and those with a small wire size (2.5 mm² and 4 mm²).

Applications (connection)		Disconnect			Double deck					
		Blade type	Plug-in type, for diode or cylindrical fuse	Double deck, blade type	Double deck	Grounding	With vertical connection			
										
Nominal wire size, AWG (mm ²)		12 (2.5)	10 (4)	12 (2.5)	12 (2.5)	10 (4)	12 (2.5)	10 (4)	12 (2.5)	10 (4)
Number of poles		1 - 1 x 1	•	–	–	–	–	–	–	–
		1 - 1 x 2	•	–	–	–	–	–	–	–
		1 - 2 x 2	–	•	–	–	•	•	•	•
		1 - 2 x 4	–	–	–	–	•	–	•	–
		1 - 3 x 3	–	–	–	–	•	–	•	–
		2 - 1 x 1	–	–	•	•	–	–	–	–
		2 - 1 x 2	–	–	•	–	–	–	–	–
		3 - 1 x 1	–	–	–	•	–	–	–	–
Clip-on mounting on		35 mm 	•	•	•	•	•	•	•	•
		35 mm 	•	•	•	•	•	•	•	•
Colors		Gray	•	•	•	•	•	–	–	–
		Blue	–	–	–	–	–	–	–	–
		Green/yellow	–	–	–	–	•	•	–	–
		Black	–	–	–	–	–	–	•	•
Catalog numbers		AB1 RRNSC	AB1 RRNSF	AB1 RRNSCE	AB1RRNET		AB1RRNETP		AB1RRNETV	
Pages		Marking accessories	See pages 5/2 and 5/3.							

Terminal Blocks, Type AB1

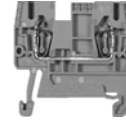
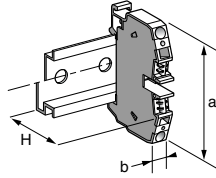
Spring technology

Passthrough

Clip-on mounting on 35 mm $\frac{1}{2}$ rails

Nominal wire size

2.5 mm²



AB1RRN235U2**

Approximate dimensions, in. (mm)

1	Length (a)	1.85 (47.1)
	Width (b)	0.20 (5)
	Height (H) $\frac{1}{2}$ rail	1.80 (45.6)
	with $\frac{1}{2}$ rail	1.50 (38.1)

Wire size, mm²

Stranded without cable end	0.13–2.5
Stranded with cable end	0.5–2.5
Solid	0.13–4

Nominal electrical values

IEC/EN 60947-7-1	800 V / 8 kV / 3–24 A
UL File E164359 CCN XCFR2	22–12 AWG, 600 V, 20 A
CSA File 702070 Class 6228 01	24–12 AWG, 600 V, 24 A
UTE, category C	—
VDE, group C	800 V / 24 A

Certifications

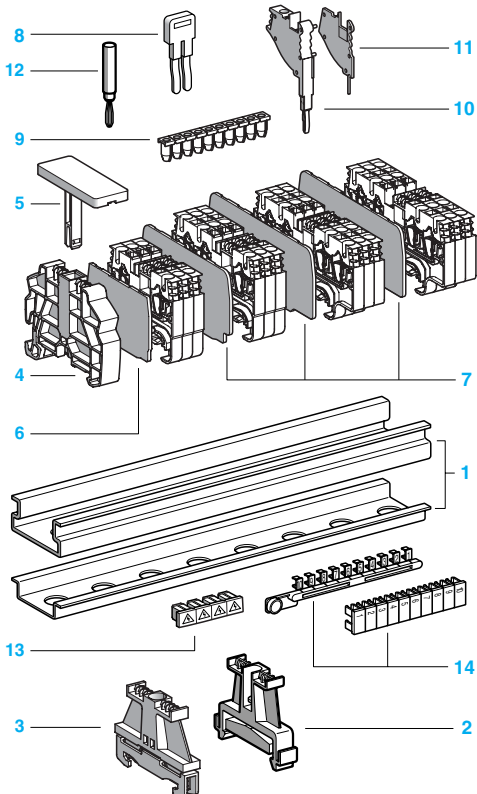
See the tables beginning on page 1/10.

Terminal Blocks

	No. points	Sold in lots of	Catalog number	Weight oz (g)
Gray	2	100	AB1RRN235U2GR	0.19 (5.5)
Blue	2	100	AB1RRN235U2BL	0.19 (5.5)
Black	—	—	—	—

Accessories

2	Plastic end clamp with screw	Width 0.3 in. (8 mm) on $\frac{1}{2}$ or $\frac{1}{4}$	—	100	AB1AB8P35	0.21 (5.9)
3	Metal end clamp with screw	Width 0.3 in. (8 mm) on $\frac{1}{2}$ or $\frac{1}{4}$	—	100	AB1AB8M35	0.52 (14.8)
4	Clip-on plastic end clamp	Width 0.3 in. (8 mm) on $\frac{1}{2}$ or $\frac{1}{4}$	—	100	AB1AB8R35	0.21 (5.9)
5	Marker tag holder for clip-on plastic end clamp		—	10	AB1SB4	0.11 (3.1)
6	End plate	Gray thickness 0.06 in. (1.5 mm) Blue	—	10	AB1RRNAC242GR	0.08 (2.3)
			—	10	AB1RRNAC242BL	0.08 (2.3)
7	Partition plate	Gray thickness 0.06 in. (1.5 mm) Blue	—	10	AB1RRNAS242GR	0.10 (2.9)
			—	10	AB1RRNAS242BL	0.10 (2.9)
8	Insulated jumper	2-pole 3-pole 4-pole 5-pole 10-pole	—	10	AB1RRAL22	0.04 (1.1)
			—	10	AB1RRAL23	0.06 (1.7)
			—	10	AB1RRAL24	0.08 (2.2)
			—	10	AB1RRAL25	0.10 (2.8)
			—	20	AB1RRAL210	0.20 (5.6)
9	Wire guide entry strip	0.13–0.2 mm ² White 0.25–0.5 mm ² Gray 0.75–1 mm ² Black	—	100	AB1RRNGF01	0.03 (0.9)
			—	100	AB1RRNGF02	0.03 (0.9)
			—	100	AB1RRNGF03	0.03 (0.9)
10	Modular test connector	Gray	—	10	AB1AT3	0.08 (2.4)
11	Modular test connector end plate		—	10	AB1AC3	0.01 (0.4)
12	Test plug	Red	—	10	AB1AT1	0.07 (1.9)
13	Terminal cover		—	10	AB1RRNCS2	0.01 (0.3)
14	Marking accessories		See pages 5/2 and 5/3.			



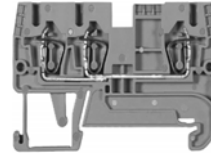
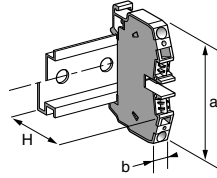
Terminal Blocks, Type AB1

Spring technology Passthrough

Clip-on mounting on 35 mm $\frac{25}{8}$ rails

Nominal wire size

2.5 mm²



AB1RRN235U3**

Approximate dimensions, in. (mm)

1	Length (a)	2.35 (59.7)
	Width (b)	0.20 (5)
	Height (H) $\frac{25}{8}$ rail	1.80 (45.6)
	with $\frac{35}{8}$ rail	1.50 (38.1)

Wire size, mm²

Stranded without cable end	0.13–2.5
Stranded with cable end	0.5–2.5
Solid	0.13–4

Nominal electrical values

IEC/EN 60947-7-1	800 V / 8 kV / 3–24 A
UL File E164359 CCN XCFR2	22–12 AWG, 600 V, 20 A
CSA File 702070 Class 6228 01	24–12 AWG, 600 V, 24 A
UTE, category C	—
VDE, group C	800 V / 24 A

Certifications

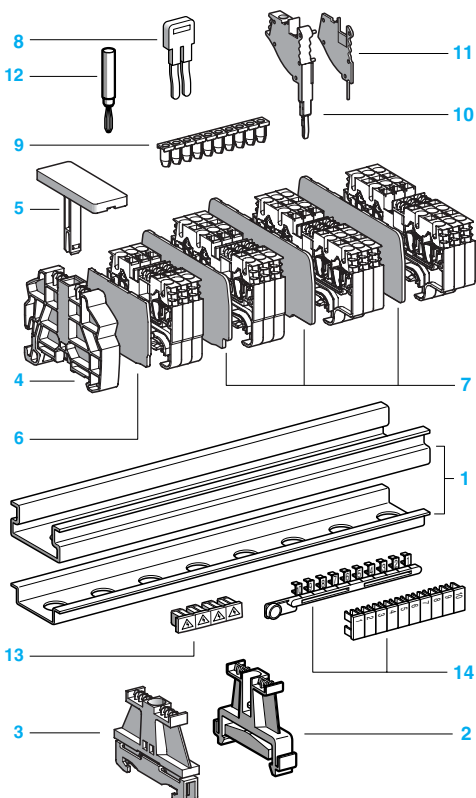
See the tables beginning on page 1/10.

Terminal Blocks

	No. points	Sold in lots of	Catalog number	Weight oz (g)
Gray	3	100	AB1RRN235U3GR	0.26 (7.4)
Blue	3	100	AB1RRN235U3BL	0.26 (7.4)
Black	—	—	—	—

Accessories

2	Plastic end clamp with screw	Width 0.3 in. (8 mm) on $\frac{25}{8}$ or $\frac{35}{8}$	—	100	AB1AB8P35	0.21 (5.9)	
3	Metal end clamp with screw	Width 0.3 in. (8 mm) on $\frac{25}{8}$ or $\frac{35}{8}$	—	100	AB1AB8M35	0.52 (14.8)	
4	Clip-on plastic end clamp	Width 0.3 in. (8 mm) on $\frac{25}{8}$ or $\frac{35}{8}$	—	100	AB1AB8R35	0.21 (5.9)	
5	Marker tag holder for clip-on plastic end clamp		—	10	AB1SB4	0.11 (3.1)	
6	End plate	thickness 0.06 in. (1.5 mm)	Gray	—	10	AB1RRNAC243GR	0.10 (2.8)
			Blue	—	10	AB1RRNAC243BL	0.10 (2.8)
7	Partition plate	thickness 0.06 in. (1.5 mm)	Gray	—	10	AB1RRNAS243GR	0.12 (3.4)
			Blue	—	10	AB1RRNAS243BL	0.12 (3.4)
8	Insulated jumper	2-pole	—	10	AB1RRAL22	0.04 (1.1)	
		3-pole	—	10	AB1RRAL23	0.10 (2.7)	
		4-pole	—	10	AB1RRAL24	0.08 (2.2)	
		5-pole	—	10	AB1RRAL25	0.10 (2.8)	
		10-pole	—	20	AB1RRAL210	0.20 (5.6)	
9	Wire guide entry strip	0.13–0.2 mm ²	White	—	100	AB1RRNGF01	0.03 (0.9)
		0.25–0.5 mm ²	Gray	—	100	AB1RRNGF02	0.03 (0.9)
		0.75–1 mm ²	Black	—	100	AB1RRNGF03	0.03 (0.9)
10	Modular test connector		Gray	—	10	AB1AT3	0.08 (2.4)
11	Modular test connector end plate			—	10	AB1AC3	0.01 (0.4)
12	Test plug			4	10	AB1AT1	0.07 (1.9)
13	Terminal cover			4	10	AB1RRNCS2	0.01 (0.3)
14	Marking accessories						See pages 5/2 and 5/3.



Terminal Blocks, Type AB1

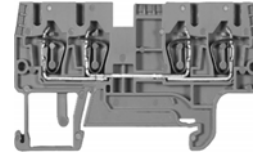
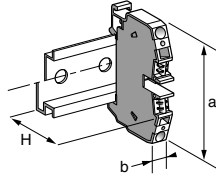
Spring technology

Passthrough

Clip-on mounting on 35 mm $\frac{25}{10}$ rails

Nominal wire size

2.5 mm²



AB1RRN235U4**

Approximate dimensions, in. (mm)

1	Length (a)	2.85 (72.4)
	Width (b)	0.20 (5)
	Height (H) $\frac{25}{10}$ rail with $\frac{10}{5}$ rail	1.80 (45.6) 1.50 (38.1)

Wire size, mm²

Stranded without cable end	0.13–2.5
Stranded with cable end	0.5–2.5
Solid	0.13–4

Nominal electrical values

IEC/EN 60947-7-1	800 V / 8 kV / 3–24 A
UL File E164359 CCN XCFR2	22–12 AWG, 600 V, 20 A
CSA File 702070 Class 6228 01	24–12 AWG, 600 V, 24 A
UTE, category C	—
VDE, group C	800 V / 24 A

Certifications

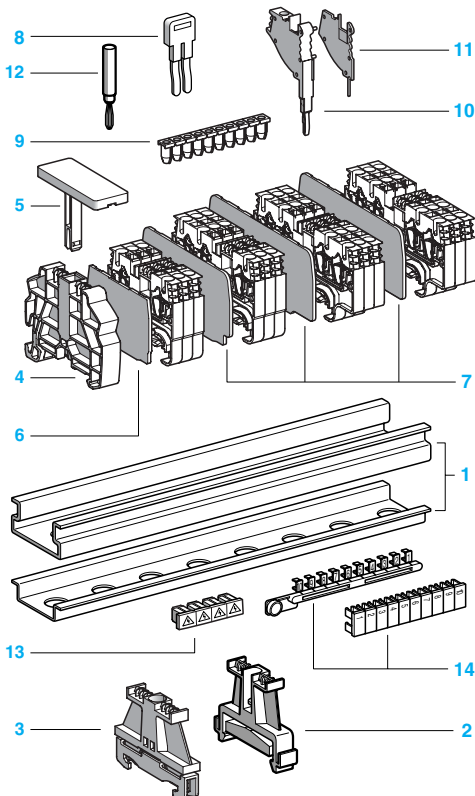
See the tables beginning on page 1/10.

Terminal Blocks

	No. points	Sold in lots of	Catalog number	Weight oz (g)
Gray	4	100	AB1RRN235U4GR	0.32 (9.1)
Blue	4	100	AB1RRN235U4BL	0.32 (9.1)
Black	—	—	—	—

Accessories

2	Plastic end clamp with screw	Width 0.3 in. (8 mm) on $\frac{25}{10}$ or $\frac{10}{5}$	—	100	AB1AB8P35	0.21 (5.9)
3	Metal end clamp with screw	Width 0.3 in. (8 mm) on $\frac{25}{10}$ or $\frac{10}{5}$	—	100	AB1AB8M35	0.52 (14.8)
4	Clip-on plastic end clamp	Width 0.3 in. (8 mm) on $\frac{25}{10}$ or $\frac{10}{5}$	—	100	AB1AB8R35	0.21 (5.9)
5	Marker tag holder for clip-on plastic end clamp		—	10	AB1SB4	0.11 (3.1)
6	End plate	Gray thickness 0.06 in. (1.5 mm) Blue	—	10	AB1RRNAC244GR	0.12 (3.4)
			—	10	AB1RRNAC244BL	0.12 (3.4)
7	Partition plate	Gray thickness 0.06 in. (1.5 mm) Blue	—	10	AB1RRNAS244GR	0.15 (4.2)
			—	10	AB1RRNAS244BL	0.15 (4.2)
8	Insulated jumper	2-pole 3-pole 4-pole 5-pole 10-pole	—	10	AB1RRAL22	0.04 (1.1)
			—	10	AB1RRAL23	0.06 (1.7)
			—	10	AB1RRAL24	0.08 (2.2)
			—	10	AB1RRAL25	0.10 (2.8)
			—	20	AB1RRAL210	0.20 (5.6)
9	Wire guide entry strip	0.13–0.2 mm ² White 0.25–0.5 mm ² Gray 0.75–1 mm ² Black	—	100	AB1RRNGF01	0.03 (0.9)
			—	100	AB1RRNGF02	0.03 (0.9)
			—	100	AB1RRNGF03	0.03 (0.9)
10	Modular test connector	Gray	—	10	AB1AT3	0.08 (2.4)
11	Modular test connector end plate		—	10	AB1AC3	0.01 (0.4)
12	Test plug	Red	4	10	AB1AT1	0.07 (1.9)
13	Terminal cover		4	10	AB1RRNCS2	0.01 (0.3)
14	Marking accessories		See pages 5/2 and 5/3.			



Terminal Blocks, Type AB1

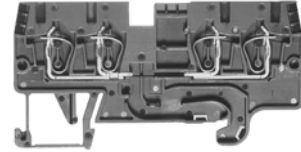
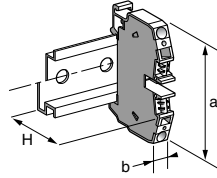
Spring technology

Passthrough

Clip-on mounting on 35 mm $\frac{25}{10}$ rails

Nominal wire size

2.5 mm² (1)



AB1RRNP235UNO

Approximate dimensions, in. (mm)

1	Length (a)	2.85 (72.4)
	Width (b)	0.20 (5)
	Height (H) $\frac{25}{10}$ rail	1.80 (45.6)
	with $\frac{10}{10}$ rail	1.50 (38.1)

Wire size, mm²

Stranded without cable end	0.13–2.5
Stranded with cable end	0.5–2.5
Solid	0.13–4

Nominal electrical values

IEC/EN 60947-7-1	800 V / 8 kV / 3–24 A
UL File E164359 CCN XCFR2	22–12 AWG, 600 V, 20 A
CSA File 702070 Class 6228 01	24–12 AWG, 600 V, 24 A
UTE, category C	—
VDE, group C	800 V / 24 A

Certifications

See the tables beginning on page 1/10.

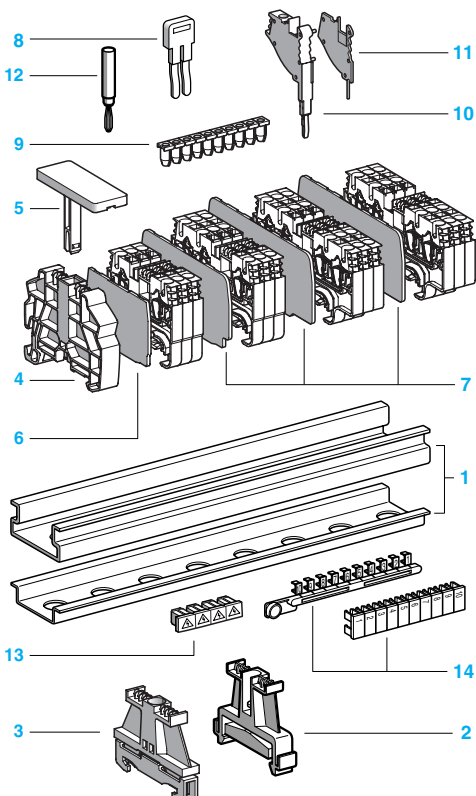
Terminal Blocks

	No. points	Sold in lots of	Catalog number	Weight oz (g)
Gray	—	—	—	—
Blue	—	—	—	—
Black	2/2	100	AB1RRNP235UNO	0.32 (9.0)

Accessories

2	Plastic end clamp with screw	Width 0.3 in. (8 mm) on $\frac{25}{10}$ or $\frac{10}{10}$	—	100	AB1AB8P35	0.21 (5.9)	
3	Metal end clamp with screw	Width 0.3 in. (8 mm) on $\frac{25}{10}$ or $\frac{10}{10}$	—	100	AB1AB8M35	0.52 (14.8)	
4	Clip-on plastic end clamp	Width 0.3 in. (8 mm) on $\frac{25}{10}$ or $\frac{10}{10}$	—	100	AB1AB8R35	0.21 (5.9)	
5	Marker tag holder for clip-on plastic end clamp		—	10	AB1SB4	0.11 (3.1)	
6	End plate	thickness 0.06 in. (1.5 mm)	Gray	—	10	AB1RRNAC244GR	0.12 (3.4)
			Blue	—	—	—	—
7	Partition plate	thickness 0.06 in. (1.5 mm)	Gray	—	10	AB1RRNAS244GR	0.15 (4.2)
			Blue	—	—	—	—
8	Insulated jumper	2-pole	—	—	—	—	
		3-pole	—	—	—	—	
		4-pole	—	—	—	—	
		5-pole	—	—	—	—	
		10-pole	—	—	—	—	
9	Wire guide entry strip	0.13–0.2 mm ²	White	—	100	AB1RRNGF01	0.03 (0.9)
		0.25–0.5 mm ²	Gray	—	100	AB1RRNGF02	0.03 (0.9)
		0.75–1 mm ²	Black	—	100	AB1RRNGF03	0.03 (0.9)
10	Modular test connector		Gray	—	—	—	
11	Modular test connector end plate			—	—	—	
12	Test plug		Red	4	10	AB1AT1	0.07 (1.9)
13	Terminal cover			4	10	AB1RRNCS2	0.01 (0.3)
14	Marking accessories			See pages 5/2 and 5/3.			

(1) Terminal blocks with a discontinuous conductor bar, which allows two terminal blocks to be placed on the same level.



Terminal Blocks, Type AB1

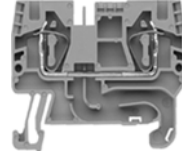
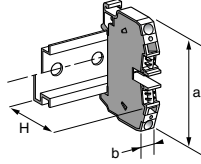
Spring technology

Passthrough

Clip-on mounting on 35 mm $\frac{25}{8}$ rails

Nominal wire size

4 mm²



AB1RRN435U2**

Approximate dimensions, in. (mm)

1	Length (a)	2.01 (51)
	Width (b)	0.24 (6)
	Height (H) $\frac{25}{8}$ rail	1.80 (45.65)
	with $\frac{25}{8}$ rail	1.50 (38.15)

Wire size, mm²

Stranded without cable end	0.13–4
Stranded with cable end	0.5–4
Solid	0.13–6

Nominal electrical values

IEC/EN 60947-7-1	800 V / 8 kV / 3–32 A
UL File E164359 CCN XCFR2	24–10 AWG, 600 V, 30 A
CSA File 702070 Class 6228 01	24–10 AWG, 600 V, 32 A
UTE, category C	—
VDE, group C	800 V / 32 A

Certifications

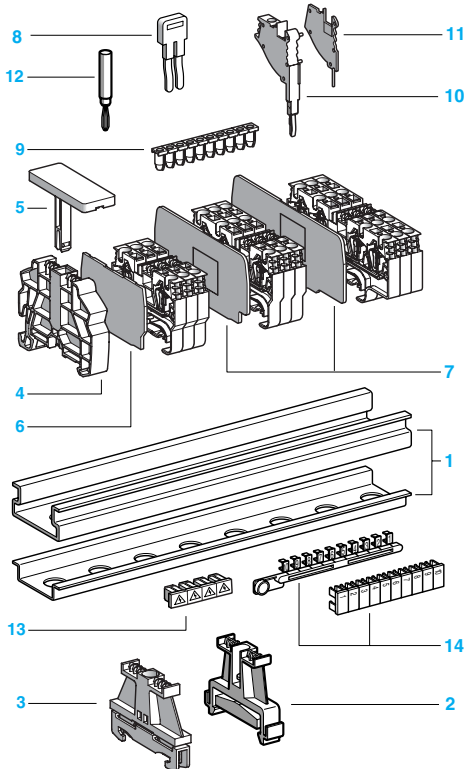
See the tables beginning on page 1/10.

Terminal blocks

	No. points	Sold in lots of	Catalog number	Weight oz (g)
Gray	2	100	AB1RRN435U2GR	0.26 (7.5)
Blue	2	100	AB1RRN435U2BL	0.26 (7.5)

Accessories

2	Plastic end clamp with screw	Width 0.3 in. (8 mm) on $\frac{25}{8}$ or $\frac{35}{8}$	—	100	AB1AB8P35	0.21 (5.9)	
3	Metal end clamp with screw	Width 0.3 in. (8 mm) on $\frac{25}{8}$ or $\frac{35}{8}$	—	100	AB1AB8M35	0.52 (14.8)	
4	Clip-on plastic end clamp	Width 0.3 in. (8 mm) on $\frac{25}{8}$ or $\frac{35}{8}$	—	100	AB1AB8R35	0.21 (5.9)	
5	Marker tag holder for clip-on plastic end clamp		—	10	AB1SB4	0.11 (3.1)	
6	End plate thickness 0.06 in. (1.5 mm)	Gray	—	10	AB1RRNAC442GR	0.09 (2.5)	
		Blue	—	10	AB1RRNAC442BL	0.09 (2.5)	
7	Partition plate thickness 0.06 in. (1.5 mm)	Gray	—	10	AB1RRNAS442GR	0.11 (3.2)	
		Blue	—	10	AB1RRNAS442BL	0.11 (3.2)	
8	Insulated jumper	2-pole	—	10	AB1RRAL42	0.06 (1.7)	
		3-pole	—	10	AB1RRAL43	0.09 (2.5)	
		4-pole	—	10	AB1RRAL44	0.12 (3.3)	
		5-pole	—	10	AB1RRAL45	0.14 (4.1)	
		10-pole	—	20	AB1RRAL410	0.29 (8.3)	
9	Wire guide entry strip	0.13–0.2 mm ²	White	—	100	AB1RRNGF11	0.03 (0.8)
		0.25–0.5 mm ²	Gray	—	100	AB1RRNGF22	0.03 (0.8)
		0.75–1 mm ²	Black	—	100	AB1RRNGF33	0.03 (0.8)
				—	100	AB1RRNGF33	0.03 (0.8)
10	Modular test connector	Gray	—	10	AB1AT3	0.08 (2.4)	
11	Modular test connector end plate		—	10	AB1AC3	0.01 (0.4)	
12	Test plug	Red	—	10	AB1AT1	0.07 (1.9)	
13	Terminal cover		4	100	AB1RRCS4	0.01 (0.4)	
14	Marking accessories		See pages 5/2 and 5/3.				



Terminal Blocks, Type AB1

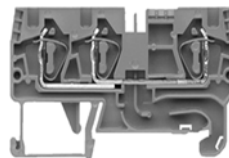
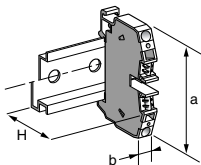
Spring technology

Passthrough

Clip-on mounting on 35 mm $\frac{25}{8}$ rails

Nominal wire size

4 mm²



AB1RRN435U3**

Approximate dimensions, in. (mm)

1	Length (a)	2.62 (66.6)
	Width (b)	0.24 (6)
	Height (H)	1.80 (45.65)
	with $\frac{25}{8}$ rail	1.50 (38.15)

Wire size, mm²

Stranded without cable end	0.13–4
Stranded with cable end	0.5–4
Solid	0.13–6

Nominal electrical values

IEC/EN 60947-7-1	800 V / 8 kV / 3–32 A
UL File E164359 CCN XCFR2	24–10 AWG, 600 V, 30 A
CSA File 702070 Class 6228 01	24–10 AWG, 600 V, 32 A
UTE, category C	—
VDE, group C	800 V / 32 A

Certifications

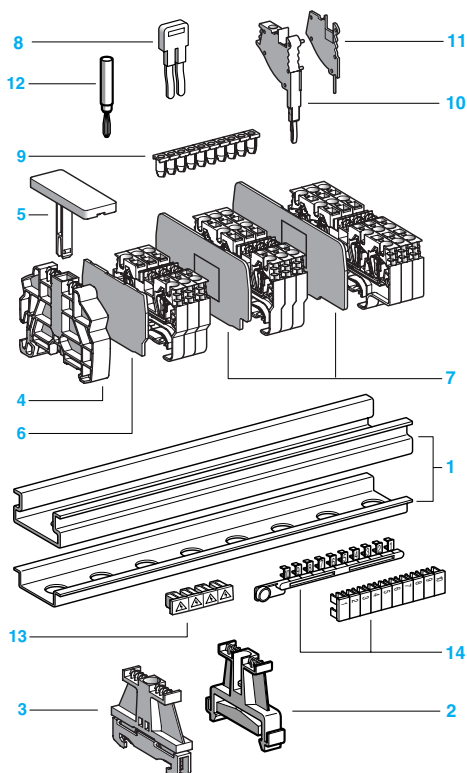
See the tables beginning on page 1/10.

Terminal blocks

	No. points	Sold in lots of	Catalog number	Weight oz (g)
Gray	3	100	AB1RRN435U3GR	0.36 (10.3)
Blue	3	100	AB1RRN435U3BL	0.36 (10.3)

Accessories

2	Plastic end clamp with screw	Width 0.3 in. (8 mm) on $\frac{25}{8}$ or $\frac{35}{8}$	—	100	AB1AB8P35	0.21 (5.9)
3	Metal end clamp with screw	Width 0.3 in. (8 mm) on $\frac{25}{8}$ or $\frac{35}{8}$	—	100	AB1AB8M35	0.52 (14.8)
4	Clip-on plastic end clamp	Width 0.3 in. (8 mm) on $\frac{25}{8}$ or $\frac{35}{8}$	—	100	AB1AB8R35	0.21 (5.9)
5	Marker tag holder for clip-on plastic end clamp		—	10	AB1SB4	0.11 (3.1)
6	End plate thickness 0.06 in. (1.5 mm)	Gray	—	10	AB1RRNAC443GR	0.11 (3.2)
		Blue	—	10	AB1RRNAC443BL	0.11 (3.2)
7	Partition plate thickness 0.06 in. (1.5 mm)	Gray	—	10	AB1RRNAS443GR	0.14 (3.9)
		Blue	—	10	AB1RRNAS443BL	0.14 (3.9)
8	Insulated jumper	2-pole	—	10	AB1RRAL42	0.06 (1.7)
		3-pole	—	10	AB1RRAL43	0.09 (2.5)
		4-pole	—	10	AB1RRAL44	0.12 (3.3)
		5-pole	—	10	AB1RRAL45	0.14 (4.1)
		10-pole	—	20	AB1RRAL410	0.29 (8.3)
9	Wire guide entry strip	0.13–0.2 mm ² White	—	100	AB1RRNGF11	0.03 (0.8)
		0.25–0.5 mm ² Gray	—	100	AB1RRNGF22	0.03 (0.8)
		0.75–1 mm ² Black	—	100	AB1RRNGF33	0.03 (0.8)
10	Modular test connector	Gray	—	10	AB1AT3	0.08 (2.4)
11	Modular test connector end plate		—	10	AB1AC3	0.01 (0.4)
12	Test plug	Red	—	10	AB1AT1	0.07 (1.9)
13	Terminal cover		4	100	AB1RRCS4	0.01 (0.4)
14	Marking accessories		See pages 5/2 and 5/3.			



Terminal Blocks, Type AB1

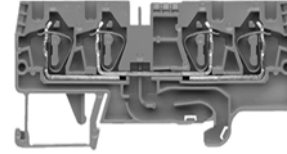
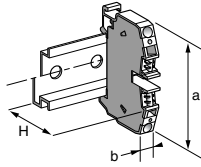
Spring technology

Passthrough

Clip-on mounting on 35 mm Σ_5 rails

Nominal wire size

4 mm²



AB1RRN435U4**

Approximate dimensions, in. (mm)

1	Length (a)	3.24 (82.2)
	Width (b)	0.24 (6)
	Height (H) Σ_5 rail	1.80 (45.65)
	with Σ_5 rail	1.50 (38.15)

Wire size, mm²

Stranded without cable end	0.13–4
Stranded with cable end	0.5–4
Solid	0.13–6

Nominal electrical values

IEC/EN 60947-7-1	800 V / 8 kV / 3–32 A
UL File E164359 CCN XCFR2	24–10 AWG, 600 V, 30 A
CSA File 702070 Class 6228 01	24–10 AWG, 600 V, 32 A
UTE, category C	—
VDE, group C	800 V / 32 A

Certifications

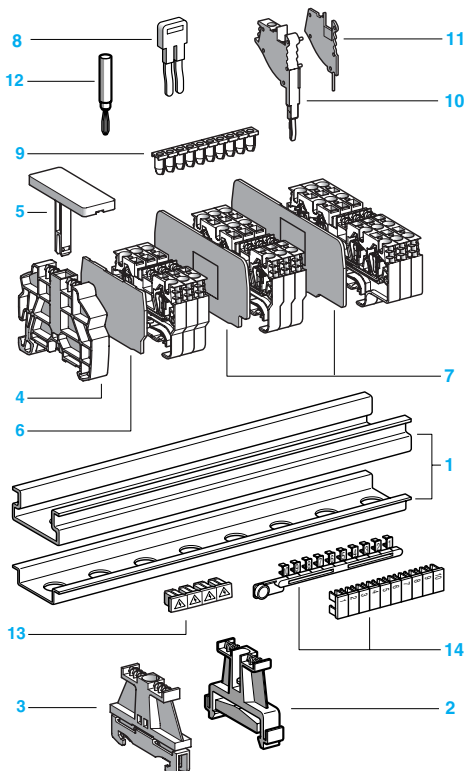
See the tables beginning on page 1/10.

Terminal blocks

	No. points	Sold in lots of	Catalog number	Weight oz (g)
Gray	4	100	AB1RRN435U4GR	0.46 (13.1)
Blue	4	100	AB1RRN435U4BL	0.46 (13.1)

Accessories

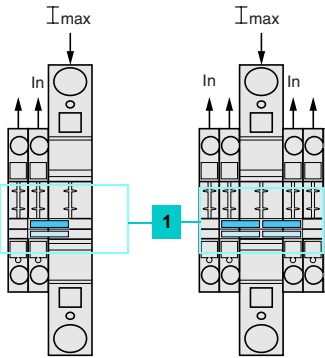
2	Plastic end clamp with screw	Width 0.3 in. (8 mm) on Σ_5 or Σ_7	—	100	AB1AB8P35	0.21 (5.9)
3	Metal end clamp with screw	Width 0.3 in. (8 mm) on Σ_5 or Σ_7	—	100	AB1AB8M35	0.52 (14.8)
4	Clip-on plastic end clamp	Width 0.3 in. (8 mm) on Σ_5 or Σ_7	—	100	AB1AB8R35	0.21 (5.9)
5	Marker tag holder for clip-on plastic end clamp		—	10	AB1SB4	0.11 (3.1)
6	End plate	Gray thickness 0.06 in. (1.5 mm)	—	10	AB1RRNAC444GR	0.13 (3.8)
		Blue	—	10	AB1RRNAC444BL	0.13 (3.8)
7	Partition plate	Gray thickness 0.06 in. (1.5 mm)	—	10	AB1RRNAS444GR	0.17 (4.8)
		Blue	—	10	AB1RRNAS444BL	0.17 (4.8)
8	Insulated jumper	2-pole	—	10	AB1RRAL42	0.06 (1.7)
		3-pole	—	10	AB1RRAL43	0.09 (2.5)
		4-pole	—	10	AB1RRAL44	0.12 (3.3)
		5-pole	—	10	AB1RRAL45	0.14 (4.1)
		10-pole	—	20	AB1RRAL410	0.29 (8.3)
9	Wire guide entry strip	0.13–0.2 mm ² White	—	100	AB1RRNGF11	0.03 (0.8)
		0.25–0.5 mm ² Gray	—	100	AB1RRNGF22	0.03 (0.8)
		0.75–1 mm ² Black	—	100	AB1RRNGF33	0.03 (0.8)
10	Modular test connector	Gray	—	10	AB1AT3	0.08 (2.4)
11	Modular test connector end plate		—	10	AB1AC3	0.01 (0.4)
12	Test plug	Red	—	10	AB1AT1	0.07 (1.9)
13	Terminal cover		4	100	AB1RRCS4	0.01 (0.4)
14	Marking accessories		See pages 5/2 and 5/3.			



Terminal Blocks, Type AB1

Spring technology
Passthrough-distribution

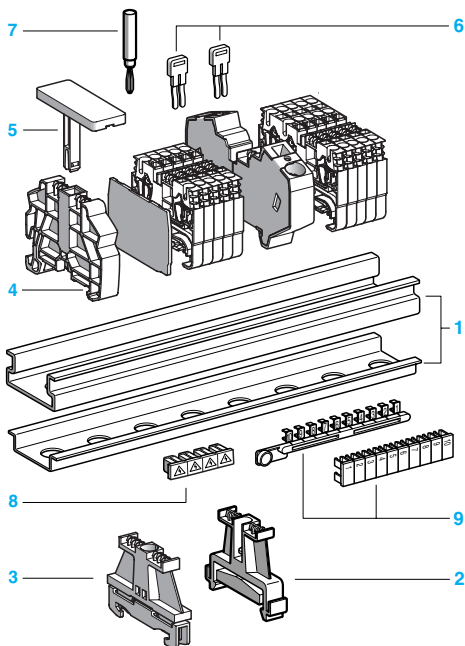
Potential distribution terminal block allowing interconnection of terminals with a large wire size (16 mm²) and those with a small wire size (2.5 and 4 mm²).



Option to distribute the potential not only on one or both sides (different or identical wire size on each side) but also on one or both shunt lines using insulated jumpers **1**.

Connection on one side	Single		Double	
	2.5	4	2.5	4
Nominal wire size (mm ²)	2.5	4	2.5	4
I _{max}	48	64	68	76
I _{Nblock}	24	32	24	32
Connection on both sides	Single		Double	
	2.5	4	2.5	4
I _{max}	72	76	76	76
I _{Nblock}	24	32	24	32

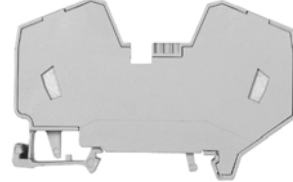
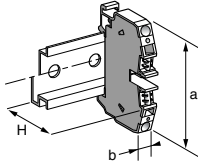
$$I_{\max} = \sum I_n \leq \sum I_{Nblock}$$



Clip-on mounting on 35 mm 2.5 rails

Nominal wire size

16 mm²



Approximate dimensions, in. (mm)

Length (a)	3.20 (82)
Width (b)	0.47 (12)
Height (H) with 2.5 rail	2.06 (52.2)
with rail	1.88 (47.7)

Wire size, mm²

Stranded without cable end	4–16
Stranded with cable end	4–16
Solid	4–16

Nominal electrical values

IEC/EN 60947-7-1	800 V / 8 kV / 3–76 A
UL File E164359 CCN XCFR2	24–4 AWG, 600 V, 75 A
CSA File 702070 Class 6228 01	12–4 AWG, 600 V, 78 A
UTE, category C	—
VDE, group C	800 V / 76 A

Certifications

See the tables beginning on page 1/10.

Terminal blocks

	No. points	Sold in lots of	Catalog number	Weight oz (g)
Gray	2	20	AB1RRNR1635UGR	1.10 (31.1)
Blue	—	—	—	—

Accessories

2 Plastic end clamp with screw	Width 0.3 in. (8 mm) on 2.5 or rail	—	100	AB1AB8P35	0.21 (5.9)	
3 Metal end clamp with screw	Width 0.3 in. (8 mm) on 2.5 or rail	—	100	AB1AB8M35	0.52 (14.8)	
4 Clip-on plastic end clamp	Width 0.3 in. (8 mm) on 2.5 or rail	—	100	AB1AB8R35	0.21 (5.9)	
5 Marker tag holder for clip-on plastic end clamp		—	10	AB1SB4	0.11 (3.1)	
6 Insulated jumper	2-pole	2.5 mm ²	—	10	AB1RRAL22	0.04 (1.1)
		4 mm ²	—	10	AB1RRAL42	0.06 (1.7)
	3-pole	2.5 mm ²	—	10	AB1RRAL23	0.06 (1.7)
		4 mm ²	—	10	AB1RRAL43	0.09 (2.5)
	4-pole	2.5 mm ²	—	10	AB1RRAL24	0.08 (2.2)
		4 mm ²	—	10	AB1RRAL44	0.12 (3.3)
	5-pole	2.5 mm ²	—	10	AB1RRAL25	0.10 (2.8)
		4 mm ²	—	10	AB1RRAL45	0.14 (4.1)
	2.5 mm ²	—	20	AB1RRAL210	0.20 (5.6)	
	4 mm ²	—	20	AB1RRAL410	0.29 (8.3)	
7 Test plug	Red	—	10	AB1AT1	0.07 (1.9)	
8 Terminal cover		4	10	AB1RRCS16	0.04 (1.2)	
9 Marking accessories		See pages 5/2 and 5/3.				

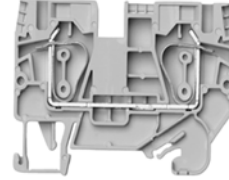
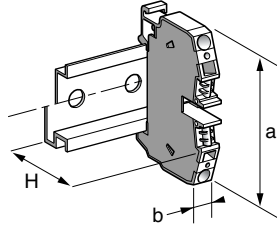
Terminal Blocks, Type AB1

Spring technology

Passthrough

Clip-on mounting on 35 mm $\frac{2.5}{1}$ rails

Nominal wire size	6 mm²
-------------------	-------------------------



AB1RRN635U2**

Approximate dimensions, in. (mm)		
1	Length (a)	2.60 (66)
	Width (b)	0.31 (8)
	Height (H) $\frac{2.5}{1}$ rail	2.05 (52.05)
	with $\frac{1}{1}$ rail	1.75 (44.5)
Wire size, mm ²		
	Stranded without cable end	0.2–6
	Stranded with cable end	0.2–6
	Solid	0.2–10
Nominal electrical values		
	IEC/EN 60947-7-1	800 V / 8 kV / 3–41 A
	UL File E164359 CCN XCFR2	24–8 AWG, 600 V, 50 A
	CSA File 702070 Class 6228 01	24–8 AWG, 600 V, 41 A
	UTE, category C	—
	VDE, group C	800 V / 41 A

Certifications

See the tables beginning on page 1/10.

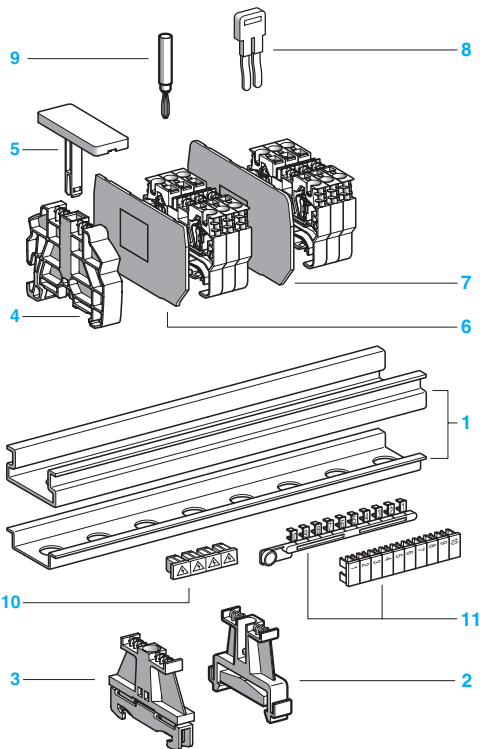
Terminal blocks

	No. points	Sold in lots of	Catalog number	Weight oz (g)
Gray	2	50	AB1RRN635U2GR	0.56 (15.8)
Blue	2	50	AB1RRN635U2BL	0.56 (15.8)

Accessories

2	Plastic end clamp with screw	Width 0.3 in. (8 mm) on $\frac{2.5}{1}$ or $\frac{1}{1}$	—	100	AB1AB8P35	0.21 (5.9)
3	Metal end clamp with screw	Width 0.3 in. (8 mm) on $\frac{2.5}{1}$ or $\frac{1}{1}$	—	100	AB1AB8M35	0.52 (14.8)
4	Clip-on plastic end clamp	Width 0.3 in. (8 mm) on $\frac{2.5}{1}$ or $\frac{1}{1}$	—	100	AB1AB8R35	0.21 (5.9)
5	Marker tag holder for clip-on plastic end clamp		—	10	AB1SB4	0.11 (3.1)
6	End plate thickness 0.06 in. (1.5 mm)	Gray	—	10	AB1RRNAC642GR	0.14 (4.0)
		Blue	—	10	AB1RRNAC642BL	0.14 (4.0)
7	Partition plate thickness 0.06 in. (1.5 mm)	Gray	—	10	AB1RRNAS642GR	0.18 (5.0)
		Blue	—	10	AB1RRNAS642BL	0.18 (5.0)
8	Insulated jumper	2-pole	—	10	AB1RRNAL62	0.14 (4.0)
		3-pole	—	10	AB1RRNAL63	0.21 (6.0)
		4-pole	—	10	AB1RRNAL64	0.28 (8.0)
		5-pole	—	10	AB1RRNAL65	0.35 (10.0)
9	Test plug	Red	—	10	AB1AT1	0.07 (1.9)
10	Terminal cover		4	10	AB1RRCS6	0.01 (0.4)
11	Marking accessories		See pages 5/2 and 5/3.			

524040



Terminal Blocks, Type AB1

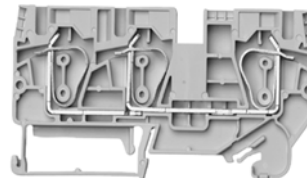
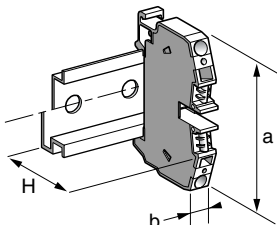
Spring technology

Passthrough

Clip-on mounting on 35 mm $\frac{2.5}{\sim}$ rails

Nominal wire size

6 mm²



Approximate dimensions, in. (mm)

1	Length (a)	3.54 (90)
	Width (b)	0.31 (8)
	Height (H) $\frac{2.5}{\sim}$ rail	2.05 (52.05)
	with $\frac{2.5}{\sim}$ rail	1.75 (44.55)

Wire size, mm²

Stranded without cable end	0.2–6
Stranded with cable end	0.2–6
Solid	0.2–10

Nominal electrical values

IEC/EN 60947-7-1	800 V / 8 kV / 3–41 A
UL File E164359 CCN XCFR2	24–8 AWG, 600 V, 50 A
CSA File 702070 Class 6228 01	24–8 AWG, 600 V, 41 A
UTE, category C	—
VDE, group C	800 V / 41 A

Certifications

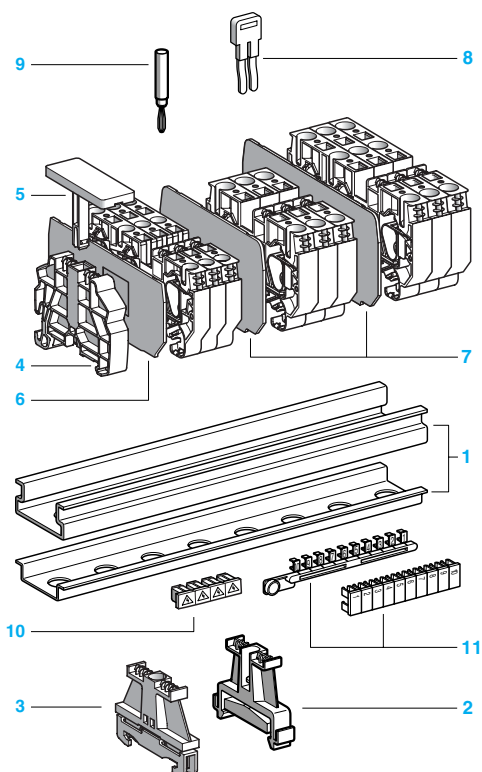
See the tables beginning on page 1/10.

Terminal blocks

	No. points	Sold in lots of	Catalog number	Weight oz (g)
Gray	3	50	AB1RRN635U3GR	0.82 (23.3)
Blue	3	50	AB1RRN635U3BL	0.82 (23.3)

Accessories

2	Plastic end clamp with screw	Width 0.3 in. (8 mm) on $\frac{2.5}{\sim}$ or $\frac{2.5}{\sim}$	—	100	AB1AB8P35	0.21 (5.9)
3	Metal end clamp with screw	Width 0.3 in. (8 mm) on $\frac{2.5}{\sim}$ or $\frac{2.5}{\sim}$	—	100	AB1AB8M35	0.52 (14.8)
4	Clip-on plastic end clamp	Width 0.3 in. (8 mm) on $\frac{2.5}{\sim}$ or $\frac{2.5}{\sim}$	—	100	AB1AB8R35	0.21 (5.9)
5	Marker tag holder for clip-on plastic end clamp		—	10	AB1SB4	0.11 (3.1)
6	End plate	Gray thickness 0.06 in. (1.5 mm)	—	10	AB1RRNAC643GR	0.18 (5.2)
		Blue	—	10	AB1RRNAC643BL	0.18 (5.2)
7	Partition plate	Gray thickness 0.06 in. (1.5 mm)	—	10	AB1RRNAS643GR	0.22 (6.3)
		Blue	—	10	AB1RRNAS643BL	0.22 (6.3)
8	Insulated jumper	2-pole	—	10	AB1RRNAL62	0.14 (4.0)
		3-pole	—	10	AB1RRNAL63	0.21 (6.0)
		4-pole	—	10	AB1RRNAL64	0.28 (8.0)
		5-pole	—	10	AB1RRNAL65	0.35 (10.0)
9	Test plug	Red	—	10	AB1AT1	0.07 (1.9)
10	Terminal cover		4	10	AB1RRC56	0.01 (0.4)
11	Marking accessories		See pages 5/2 and 5/3.			



Terminal Blocks, Type AB1

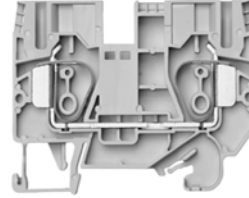
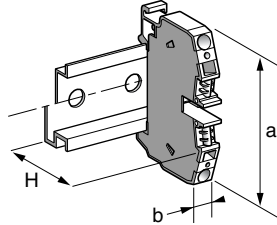
Spring technology

Passthrough

Clip-on mounting on 35 mm $\frac{1}{2}$ rails

Nominal wire size

10 mm²



AB1RRN1035U2**

Approximate dimensions, in. (mm)

1	Length (a)	2.85 (72.5)
	Width (b)	0.39 (10)
	Height (H) $\frac{1}{2}$ rail	2.28 (58)
	with $\frac{1}{2}$ rail	1.99 (50.5)

Wire size, mm²

Stranded without cable end	0.2–10
Stranded with cable end	0.2–10
Solid	0.2–16

Nominal electrical values

IEC/EN 60947-7-1	800 V / 8 kV / 3–57 A
UL File E164359 CCN XCFR2	16–6 AWG, 600 V, 60 A
CSA File 702070 Class 6228 01	16–6 AWG, 600 V, 65 A
UTE, category C	—
VDE, group C	800 V / 57 A

Certifications

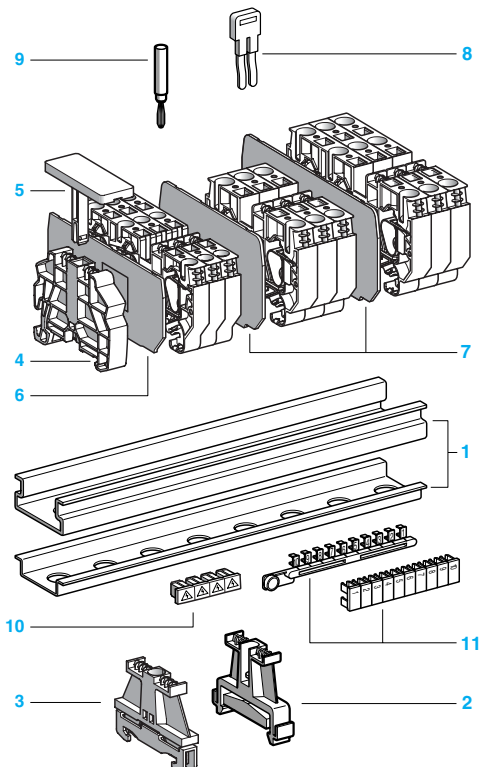
See the tables beginning on page 1/10.

Terminal blocks

	No. points	Sold in lots of	Catalog number	Weight oz (g)
Gray	2	50	AB1RRN1035U2GR	0.86 (24.5)
Blue	2	50	AB1RRN1035U2BL	0.86 (24.5)

Accessories

2	Plastic end clamp with screw	Width 0.3 in. (8 mm) on $\frac{1}{2}$ or $\frac{1}{4}$	—	100	AB1AB8P35	0.21 (5.9)
3	Metal end clamp with screw	Width 0.3 in. (8 mm) on $\frac{1}{2}$ or $\frac{1}{4}$	—	100	AB1AB8M35	0.52 (14.8)
4	Clip-on plastic end clamp	Width 0.3 in. (8 mm) on $\frac{1}{2}$ or $\frac{1}{4}$	—	100	AB1AB8R35	0.21 (5.9)
5	Marker tag holder for clip-on plastic end clamp		—	10	AB1SB4	0.11 (3.1)
6	End plate thickness 0.06 in. (1.5 mm)	Gray	—	10	AB1RRNAC1042GR	0.18 (5.1)
		Blue	—	10	AB1RRNAC1042BL	0.18 (5.1)
7	Partition plate thickness 0.06 in. (1.5 mm)	Gray	—	10	AB1RRNAS1042GR	0.22 (6.1)
		Blue	—	10	AB1RRNAS1042BL	0.22 (6.1)
8	Insulated jumper	2-pole	—	10	AB1RRAL102	0.11 (3.0)
		3-pole	—	—	—	—
		4-pole	—	—	—	—
		5-pole	—	—	—	—
9	Test plug	Red	—	10	AB1AT1	0.07 (1.9)
10	Terminal cover		4	10	AB1RRCS10	0.03 (0.8)
11	Marking accessories		See pages 5/2 and 5/3.			



Terminal Blocks, Type AB1

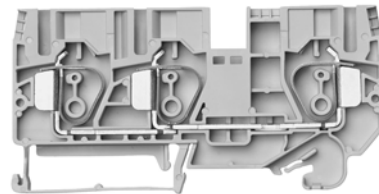
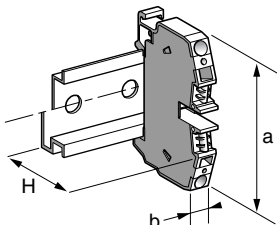
Spring technology

Passthrough

Clip-on mounting on 35 mm $\frac{25}{8}$ rails

Nominal wire size

10 mm²



AB1RRN1035U3**

Approximate dimensions, in. (mm)

1	Length (a)	3.86 (98)
	Width (b)	0.39 (10)
	Height (H)	2.28 (58)
	with $\frac{25}{8}$ rail	1.99 (50.5)
	with $\frac{16}{4}$ rail	

Wire size, mm²

Stranded without cable end	0.2–10
Stranded with cable end	0.2–10
Solid	0.2–16

Nominal electrical values

IEC/EN 60947-7-1	800 V / 8 kV / 3–57 A
UL File E164359 CCN XCFR2	16–6 AWG, 600 V, 60 A
CSA File 702070 Class 6228 01	16–6 AWG, 600 V, 65 A
UTE, category C	—
VDE, group C	800 V / 57 A

Certifications

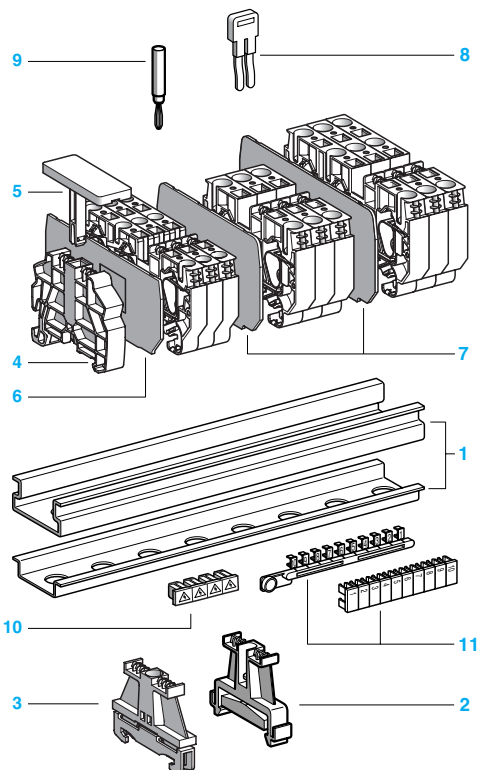
See the tables beginning on page 1/10.

Terminal blocks

	No. points	Sold in lots of	Catalog number	Weight oz (g)
Gray	3	50	AB1RRN1035U3GR	1.20 (35.4)
Blue	3	50	AB1RRN1035U3BL	1.20 (35.4)

Accessories

2	Plastic end clamp with screw	Width 0.3 in. (8 mm) on $\frac{25}{8}$ or $\frac{16}{4}$	—	100	AB1AB8P35	0.21 (5.9)
3	Metal end clamp with screw	Width 0.3 in. (8 mm) on $\frac{25}{8}$ or $\frac{16}{4}$	—	100	AB1AB8M35	0.52 (14.8)
4	Clip-on plastic end clamp	Width 0.3 in. (8 mm) on $\frac{25}{8}$ or $\frac{16}{4}$	—	100	AB1AB8R35	0.21 (5.9)
5	Marker tag holder for clip-on plastic end clamp		—	10	AB1SB4	0.11 (3.1)
6	End plate thickness 0.06 in. (1.5 mm)	Gray	—	10	AB1RRNAC1043GR	0.24 (6.7)
		Blue	—	10	AB1RRNAC1043BL	0.24 (6.7)
7	Partition plate thickness 0.06 in. (1.5 mm)	Gray	—	10	AB1RRNAS1043GR	0.28 (7.8)
		Blue	—	10	AB1RRNAS1043BL	0.28 (7.8)
8	Insulated jumper	2-pole	—	10	AB1RRAL102	0.11 (3.0)
		3-pole	—	—	—	—
		4-pole	—	—	—	—
		5-pole	—	—	—	—
9	Test plug	Red	—	10	AB1AT1	0.07 (1.9)
10	Terminal cover		4	10	AB1RRCS10	0.03 (0.8)
11	Marking accessories		See pages 5/2 and 5/3.			



Terminal Blocks, Type AB1

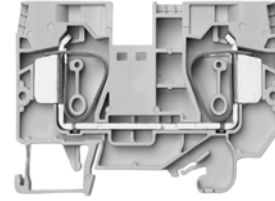
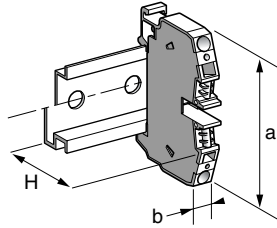
Spring technology

Passthrough

Clip-on mounting on 35 mm $\frac{1}{2}$ rails

Nominal wire size

16 mm²



AB1RRN1635U2**

Approximate dimensions, in. (mm)

1	Length (a)	
	Width (b)	
	Height (H) $\frac{1}{2}$ rail	
	with $\frac{1}{2}$ rail	

3.11 (79.1)

0.47 (12)

2.28 (58)

1.99 (50.5)

Wire size, mm²

Stranded without cable end	0.2–16
Stranded with cable end	0.2–16
Solid	0.2–25

0.2–16

0.2–16

0.2–25

Nominal electrical values

IEC/EN 60947-7-1	800 V / 8 kV / 3–76 A
UL File E164359 CCN XCFR2	16–4 AWG, 600 V, 85 A
CSA File 702070 Class 6228 01	16–4 AWG, 600 V, 85 A
UTE, category C	—
VDE, group C	800 V / 76 A

800 V / 8 kV / 3–76 A

16–4 AWG, 600 V, 85 A

16–4 AWG, 600 V, 85 A

—

800 V / 76 A

Certifications

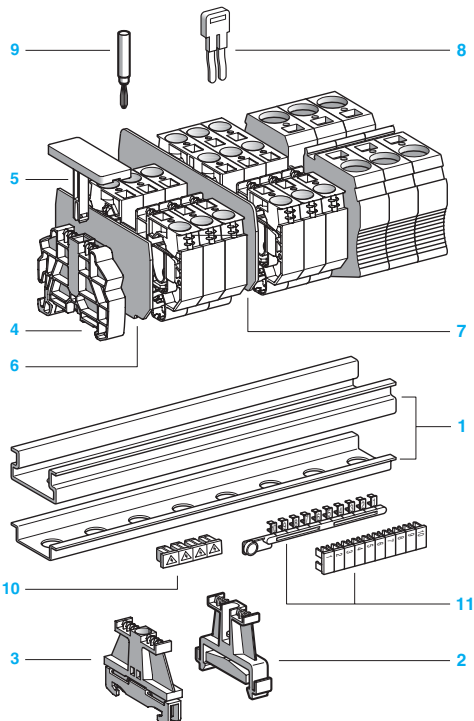
See the tables beginning on page 1/10.

Terminal blocks

	No. points	Sold in lots of	Catalog number	Weight oz (g)
Gray	2	50	AB1RRN1635U2GR	1.30 (35.8)
Blue	2	50	AB1RRN1635U2BL	1.30 (35.8)

Accessories

2	Plastic end clamp with screw	Width 0.3 in. (8 mm) on $\frac{1}{2}$ or $\frac{1}{4}$	—	100	AB1AB8P35	0.21 (5.9)
3	Metal end clamp with screw	Width 0.3 in. (8 mm) on $\frac{1}{2}$ or $\frac{1}{4}$	—	100	AB1AB8M35	0.52 (14.8)
4	Clip-on plastic end clamp	Width 0.3 in. (8 mm) on $\frac{1}{2}$ or $\frac{1}{4}$	—	100	AB1AB8R35	0.21 (5.9)
5	Marker tag holder for clip-on plastic end clamp		—	10	AB1SB4	0.11 (3.1)
6	End plate thickness 0.06 in. (1.5 mm)	Gray	—	10	AB1RRNAC1642GR	0.19 (5.5)
		Blue	—	10	AB1RRNAC1642BL	0.19 (5.5)
7	Partition plate thickness 0.06 in. (1.5 mm)	Gray	—	10	AB1RRNAS1642GR	0.23 (6.6)
		Blue	—	10	AB1RRNAS1642BL	0.23 (6.6)
8	Insulated jumper	2-pole	—	10	AB1RRAL162	0.32 (9.0)
9	Test plug	Red	—	10	AB1AT1	0.07 (1.9)
10	Terminal cover		4	10	AB1RRCS16	0.04 (1.2)
11	Marking accessories		See pages 5/2 and 5/3.			



Terminal Blocks, Type AB1

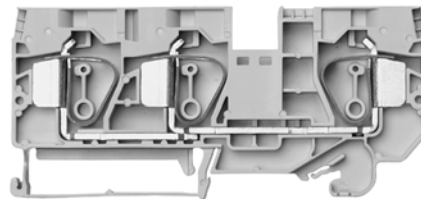
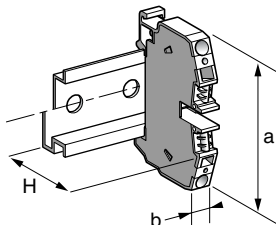
Spring technology

Passthrough

Clip-on mounting on 35 mm $\frac{25}{8}$ rails

Nominal wire size

16 mm²



Approximate dimensions, in. (mm)

1	Length (a)	4.20 (106.7)
	Width (b)	0.47 (12)
	Height (H)	2.28 (58)
	with $\frac{25}{8}$ rail	1.99 (50.5)

Wire size, mm²

Stranded without cable end	0.2–16
Stranded with cable end	0.2–16
Solid	0.2–25

Nominal electrical values

IEC/EN 60947-1	800 V / 8 kV / 3–76 A
UL File E164359 CCN XCFR2	16–4 AWG, 600 V, 85 A
CSA File 702070 Class 6228 01	16–4 AWG, 600 V, 85 A
UTE, category C	—
VDE, group C	800 V / 76 A

Certifications

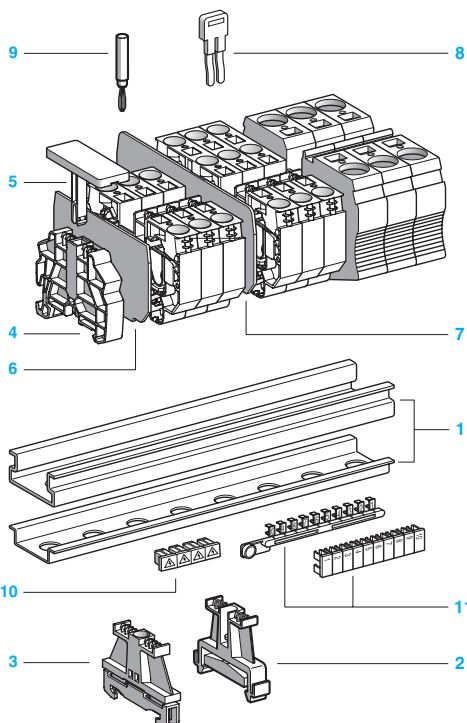
See the tables beginning on page 1/10.

Terminal blocks

	No. points	Sold in lots of	Catalog number	Weight oz (g)
Gray	3	25	AB1RRN1635U3GR	1.90 (53.3)
Blue	3	25	AB1RRN1635U3BL	1.90 (53.3)

Accessories

2	Plastic end clamp with screw	Width 0.3 in. (8 mm) on $\frac{25}{8}$ or $\frac{35}{8}$	—	100	AB1AB8P35	0.21 (5.9)
3	Metal end clamp with screw	Width 0.3 in. (8 mm) on $\frac{25}{8}$ or $\frac{35}{8}$	—	100	AB1AB8M35	0.52 (14.8)
4	Clip-on plastic end clamp	Width 0.3 in. (8 mm) on $\frac{25}{8}$ or $\frac{35}{8}$	—	100	AB1AB8R35	0.21 (5.9)
5	Marker tag holder for clip-on plastic end clamp		—	10	AB1SB4	0.11 (3.1)
6	End plate thickness 0.06 in. (1.5 mm)	Gray	—	10	AB1RRNAC1643GR	0.26 (7.3)
		Blue	—	10	AB1RRNAC1643BL	0.26 (7.3)
7	Partition plate thickness 0.06 in. (1.5 mm)	Gray	—	10	AB1RRNAS1643GR	0.30 (8.6)
		Blue	—	10	AB1RRNAS1643BL	0.30 (8.6)
8	Insulated jumper	2-pole	—	10	AB1RRAL162	0.32 (9.0)
9	Test plug	Red	—	10	AB1AT1	0.07 (1.9)
10	Terminal cover		4	10	AB1RRCS16	0.04 (1.2)
11	Marking accessories		See pages 5/2 and 5/3.			



Terminal Blocks, Type AB1

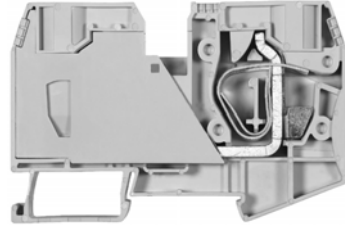
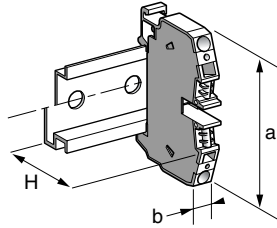
Spring technology

Passthrough

Clip-on mounting on 35 mm $\frac{2.5}{3}$ rails

Nominal wire size

35 mm²



AB1RRN3535U2**

Approximate dimensions, in. (mm)

1	Length (a)	3.93 (99.9)
	Width (b)	0.63 (16)
	Height (H) $\frac{2.5}{3}$ rail	2.63 (66.7)
	with $\frac{3}{4}$ rail	2.33 (59.2)

Wire size, mm²

Stranded without cable end	2.5–35
Stranded with cable end	2.5–35
Solid	2.5–35

Nominal electrical values

IEC/EN 60947-7-1	800 V / 8 kV / 3–125 A
UL File E164359 CCN XCFR2	14–2 AWG, 600 V, 115 A
CSA File 702070 Class 6228 01	14–2 AWG, 600 V, 115 A
UTE, category C	—
VDE, group C	800 V / 120 A

Certifications

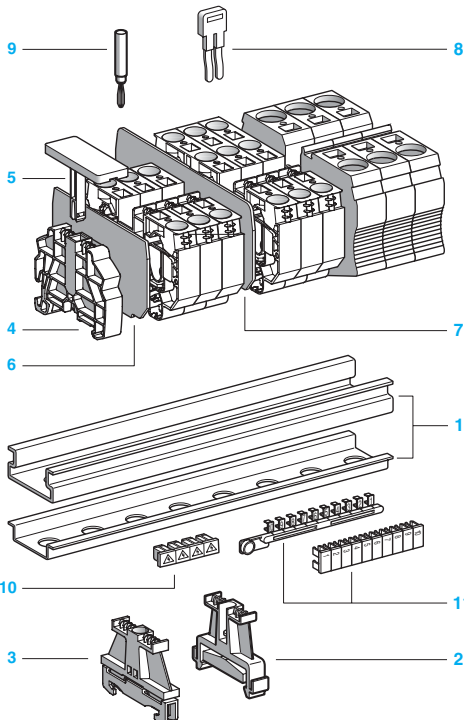
See the tables beginning on page 1/10.

Terminal blocks

	No. points	Sold in lots of	Catalog number	Weight oz (g)
Gray	2	10	AB1RRN3535U2GR	4.30 (122.5)
Blue	2	10	AB1RRN3535U2BL	4.30 (122.5)

Accessories

2	Plastic end clamp with screw	Width 0.3 in. (8 mm) on $\frac{2.5}{3}$ or $\frac{3}{4}$	—	100	AB1AB8P35	0.21 (5.9)
3	Metal end clamp with screw	Width 0.3 in. (8 mm) on $\frac{2.5}{3}$ or $\frac{3}{4}$	—	100	AB1AB8M35	0.52 (14.8)
4	Clip-on plastic end clamp	Width 0.3 in. (8 mm) on $\frac{2.5}{3}$ or $\frac{3}{4}$	—	100	AB1AB8R35	0.21 (5.9)
5	Marker tag holder for clip-on plastic end clamp		—	10	AB1SB4	0.11 (3.1)
6	End plate	thickness 0.06 in. (1.5 mm)	Gray	—	—	—
			Blue	—	—	—
7	Partition plate	thickness 0.06 in. (1.5 mm)	Gray	—	—	—
			Blue	—	—	—
8	Insulated jumper	2-pole	—	10	AB1RRAL352	0.61 (17.2)
9	Test plug	Red	—	10	AB1AT1	0.07 (1.9)
10	Terminal cover		—	10	AB1RRC35	0.01 (0.2)
11	Marking accessories		See pages 5/2 and 5/3.			



Terminal Blocks, Type AB1

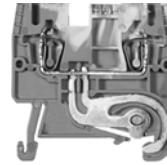
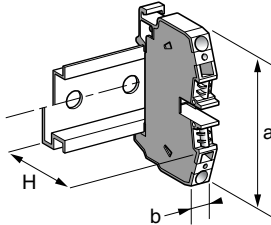
Spring technology

Grounding type

Clip-on mounting on 35 mm $\frac{1}{4}$ rails

Nominal wire size

2.5 mm²



AB1RRNTP235U2

Approximate dimensions, in. (mm)

1	Length (a)	1.85 (47.1)
	Width (b)	0.20 (5)
	Height (H) $\frac{1}{4}$ rail	1.80 (45.6)
	with $\frac{1}{4}$ rail	1.50 (38.1)

Wire size, mm²

Stranded without cable end	0.13–2.5
Stranded with cable end	0.5–2.5
Solid	0.13–4

Nominal electrical values

IEC/EN 60947-7-1	800 V / 8 kV / 3–24 A
UL File E164359 CCN XCFR2	22–12 AWG, 600 V, 20 A
CSA File 702070 Class 6228 01	24–12 AWG, 600 V, 25 A
UTE, category C	—
VDE, group C	800 V, 24 A

Certifications

See the tables beginning on page 1/10.

Terminal blocks

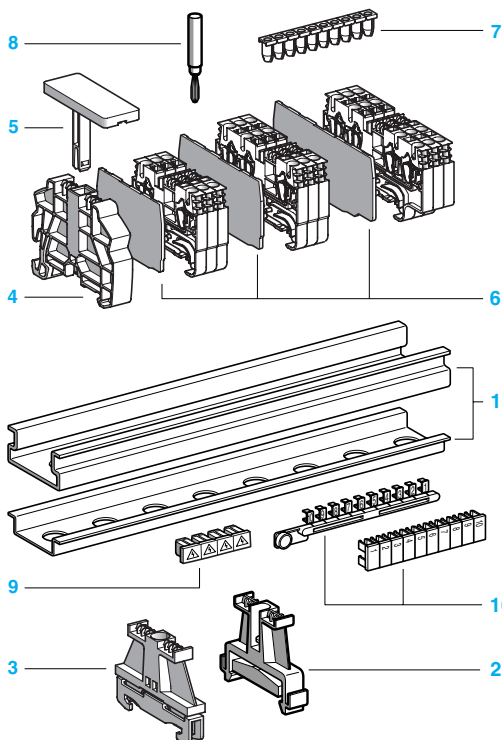
Green/yellow

No. of points	Sold in lots of	Catalog number	Weight oz (g)
2	100	AB1RRNTP235U2	0.27 (7.6)

Accessories

2	Plastic end clamp with screw	Width 0.3 in. (8 mm) on $\frac{1}{4}$ or $\frac{1}{2}$	—	100	AB1AB8P35	0.21 (5.9)	
3	Metal end clamp with screw	Width 0.3 in. (8 mm) on $\frac{1}{4}$ or $\frac{1}{2}$	—	100	AB1AB8M35	0.52 (14.8)	
4	Clip-on plastic end clamp	Width 0.3 in. (8 mm) on $\frac{1}{4}$ or $\frac{1}{2}$	—	100	AB1AB8R35	0.21 (5.9)	
5	Marker tag holder for clip-on plastic end clamp		—	10	AB1SB4	0.11 (3.1)	
6	End plate	Green thickness 0.06 in. (1.5 mm)	—	10	AB1RRNTPAC242	0.08 (2.3)	
7	Wire guide entry strip	0.13–0.2 mm ²	White	—	100	AB1RRNGF01	0.03 (0.9)
		0.25–0.5 mm ²	Gray	—	100	AB1RRNGF02	0.03 (0.9)
		0.75–1 mm ²	Black	—	100	AB1RRNGF03	0.03 (0.9)
8	Test plug	Red	—	10	AB1AT1	0.07 (1.9)	
9	Terminal cover		4	10	AB1RRNCS2	0.01 (0.3)	
10	Marking accessories		See pages 5/2 and 5/3.				

524013



Terminal Blocks, Type AB1

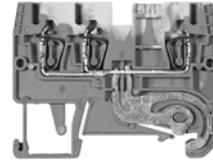
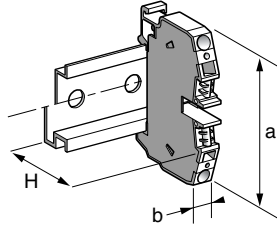
Spring technology

Grounding type

Clip-on mounting on 35 mm $\Sigma 5$ rails

Nominal wire size

2.5 mm²



AB1RRNTP235U3

Approximate dimensions, in. (mm)

Length (a)	0.35 (59.7)
Width (b)	0.20 (5)
Height (H) $\Sigma 5$ rail	1.80 (45.6)
with $\Sigma 5$ rail	1.50 (38.1)

Wire size, mm²

Stranded without cable end	0.13–2.5
Stranded with cable end	0.5–2.5
Solid	0.13–4

Nominal electrical values

IEC/EN 60947-7-1	800 V / 8 kV / 3–24 A
UL File E164359 CCN XCFR2	22–12 AWG, 600 V, 20 A
CSA File 702070 Class 6228 01	24–12 AWG, 600 V, 25 A
UTE, category C	—
VDE, group C	800 V, 24 A

Certifications

See the tables beginning on page 1/10.

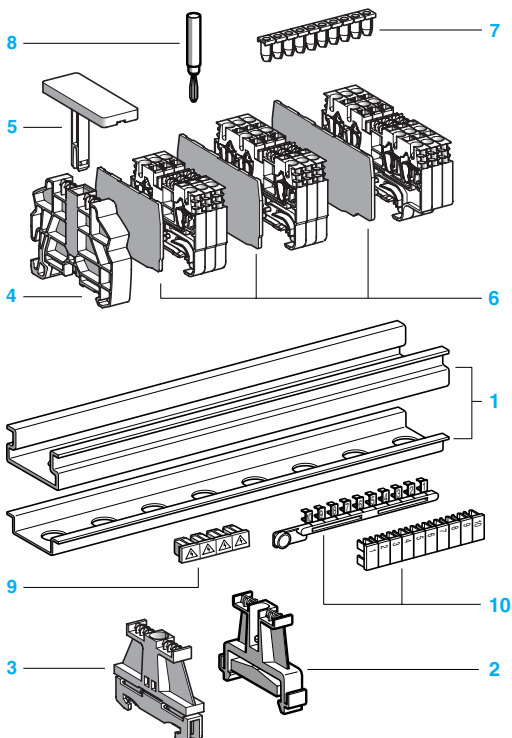
Terminal blocks

	No. of points	Sold in lots of	Catalog number	Weight oz (g)
Green/yellow	3	100	AB1RRNTP235U3	0.34 (9.5)

Accessories

2 Plastic end clamp with screw	Width 0.3 in. (8 mm) on $\Sigma 5$ or $\Sigma 5$	—	100	AB1AB8P35	0.21 (5.9)
3 Metal end clamp with screw	Width 0.3 in. (8 mm) on $\Sigma 5$ or $\Sigma 5$	—	100	AB1AB8M35	0.52 (14.8)
4 Clip-on plastic end clamp	Width 0.3 in. (8 mm) on $\Sigma 5$ or $\Sigma 5$	—	100	AB1AB8R35	0.21 (5.9)
5 Marker tag holder for clip-on plastic end clamp		—	10	AB1SB4	0.11 (3.1)
6 End plate	Green, thickness 0.06 in. (1.5 mm)	—	10	AB1RRNTPAC243	0.10 (2.8)
7 Wire guide entry strip	0.13–0.2 mm ² White	—	100	AB1RRNGF01	0.03 (0.9)
	0.25–0.5 mm ² Gray	—	100	AB1RRNGF02	0.03 (0.9)
	0.75–1 mm ² Black	—	100	AB1RRNGF03	0.03 (0.9)
8 Test plug	Red	—	10	AB1AT1	0.07 (1.9)
9 Terminal cover		4	10	AB1RRNCS2	0.01 (0.3)
10 Marking accessories		See pages 5/2 and 5/3.			

524013



Terminal Blocks, Type AB1

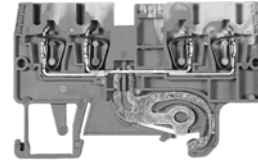
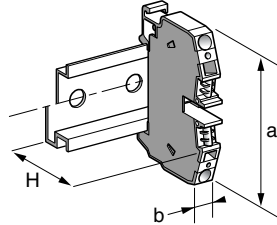
Spring technology

Grounding type

Clip-on mounting on 35 mm $\frac{1}{2}$ rails

Nominal wire size

2.5 mm²



AB1RRNTP235U4

Approximate dimensions, in. (mm)

1	Length (a)	2.85 (72.4)
	Width (b)	0.20 (5)
	Height (H) $\frac{1}{2}$ rail	1.80 (45.6)
	with $\frac{1}{2}$ rail	1.50 (38.1)

Wire size, mm²

Stranded without cable end	0.13–2.5
Stranded with cable end	0.5–2.5
Solid	0.13–4

Nominal electrical values

IEC/EN 60947-7-1	800 V / 8 kV / 3–24 A
UL File E164359 CCN XCFR2	22–12 AWG, 600 V, 20 A
CSA File 702070 Class 6228 01	24–12 AWG, 600 V, 25 A
UTE, category C	—
VDE, group C	800 V, 24 A

Certifications

See the tables beginning on page 1/10.

Terminal blocks

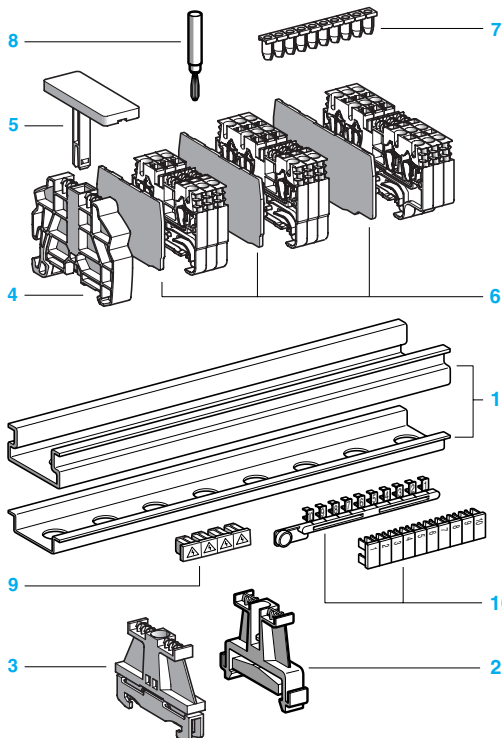
Green/yellow

No. of points	Sold in lots of	Catalog number	Weight oz (g)
4	100	AB1RRNTP235U4	0.40 (11.2)

Accessories

2	Plastic end clamp with screw	Width 0.3 in. (8 mm) on $\frac{1}{2}$ or $\frac{1}{4}$	—	100	AB1AB8P35	0.21 (5.9)
3	Metal end clamp with screw	Width 0.3 in. (8 mm) on $\frac{1}{2}$ or $\frac{1}{4}$	—	100	AB1AB8M35	0.52 (14.8)
4	Clip-on plastic end clamp	Width 0.3 in. (8 mm) on $\frac{1}{2}$ or $\frac{1}{4}$	—	100	AB1AB8R35	0.21 (5.9)
5	Marker tag holder for clip-on plastic end clamp		—	10	AB1SB4	0.11 (3.1)
6	End plate	Green thickness 0.06 in. (1.5 mm)	—	10	AB1RRNTPAC244	0.12 (3.4)
7	Wire guide entry strip	0.13–0.2 mm ² White	—	100	AB1RRNGF01	0.03 (0.9)
		0.25–0.5 mm ² Gray	—	100	AB1RRNGF02	0.03 (0.9)
		0.75–1 mm ² Black	—	100	AB1RRNGF03	0.03 (0.9)
8	Test plug	Red	—	10	AB1AT1	0.07 (1.9)
9	Terminal cover		4	10	AB1RRNCS2	0.01 (0.3)
10	Marking accessories		See pages 5/2 and 5/3.			

524013



Terminal Blocks, Type AB1

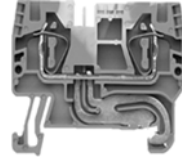
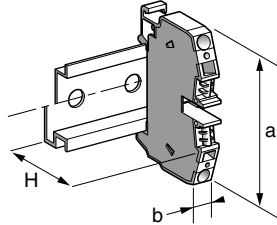
Spring technology

Grounding type

Clip-on mounting on 35 mm $\frac{25}{8}$ rails

Nominal wire size

4 mm²



AB1RRNTP435U2

Approximate dimensions, in. (mm)

1	Length (a)	2.01 (51)
	Width (b)	0.24 (6)
	Height (H) $\frac{25}{8}$ rail with $\frac{25}{8}$ rail	1.80 (45.65) 1.50 (38.15)

Wire size, mm²

Stranded without cable end	0.13–4
Stranded with cable end	0.5–4
Solid	0.13–6

Nominal electrical values

IEC/EN 60947-7-1	800 V / 8 kV / 3–32 A
UL File E164359 CCN XCFR2	24–10 AWG, 600 V, 30 A
CSA File 702070 Class 6228 01	24–10 AWG, 600 V, 32 A
UTE, category C	—
VDE, group C	800 V, 32 A

Certifications

See the tables beginning on page 1/10.

Terminal blocks

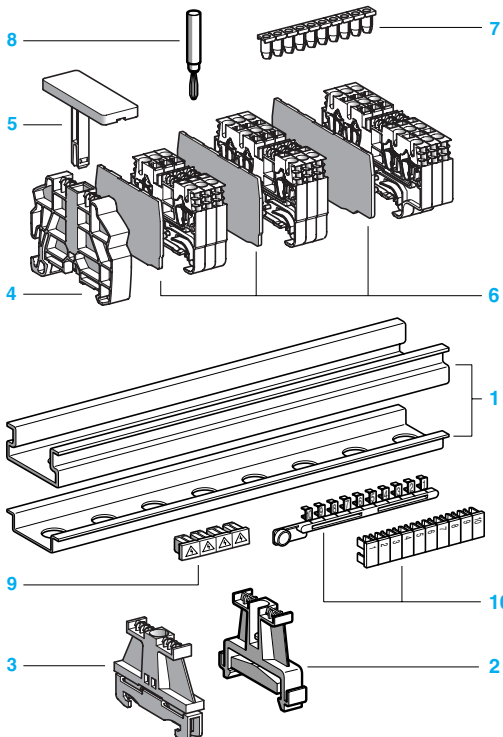
Green/yellow

No. of points	Sold in lots of	Catalog number	Weight oz (g)
2	100	AB1RRNTP435U2	0.34 (9.5)

Accessories

2	Plastic end clamp with screw	Width 0.3 in. (8 mm) on $\frac{25}{8}$ or $\frac{25}{8}$	—	100	AB1AB8P35	0.21 (5.9)
3	Metal end clamp with screw	Width 0.3 in. (8 mm) on $\frac{25}{8}$ or $\frac{25}{8}$	—	100	AB1AB8M35	0.52 (14.8)
4	Clip-on plastic end clamp	Width 0.3 in. (8 mm) on $\frac{25}{8}$ or $\frac{25}{8}$	—	100	AB1AB8R35	0.21 (5.9)
5	Marker tag holder for clip-on plastic end clamp		—	10	AB1SB4	0.11 (3.1)
6	End plate	Green thickness 0.06 in. (1.5 mm)	—	10	AB1RRNTPAC442	0.09 (2.5)
7	Wire guide entry strip	0.13–0.2 mm ² White	—	100	AB1RRNGF11	0.03 (0.8)
		0.25–0.5 mm ² Gray	—	100	AB1RRNGF22	0.03 (0.8)
		0.75–1 mm ² Black	—	100	AB1RRNGF33	0.03 (0.8)
8	Test plug	Red	—	10	AB1AT1	0.07 (1.9)
9	Terminal cover		4	100	AB1RRCS4	0.01 (0.4)
10	Marking accessories		See pages 5/2 and 5/3.			

524013



Terminal Blocks, Type AB1

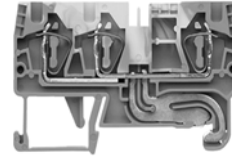
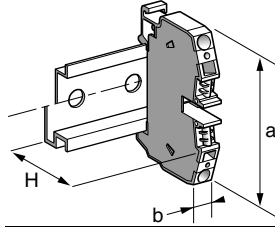
Spring technology

Grounding type

Clip-on mounting on 35 mm $\frac{1}{2}$ rails

Nominal wire size

4 mm²



AB1RRNTP435U3

Approximate dimensions, in. (mm)

1	Length (a)	2.62 (66.6)
	Width (b)	0.24 (6)
1	Height (H)	1.80 (45.65)
	with $\frac{1}{2}$ rail	1.50 (38.15)

Wire size, mm²

Stranded without cable end	0.13–4
Stranded with cable end	0.5–4
Solid	0.13–6

Nominal electrical values

IEC/EN 60947-7-1	800 V / 8 kV / 3–32 A
UL File E164359 CCN XCFR2	24–10 AWG, 600 V, 30 A
CSA File 702070 Class 6228 01	24–10 AWG, 600 V, 32 A
UTE, category C	—
VDE, group C	800 V, 32 A

Certifications

See the tables beginning on page 1/10.

Terminal blocks

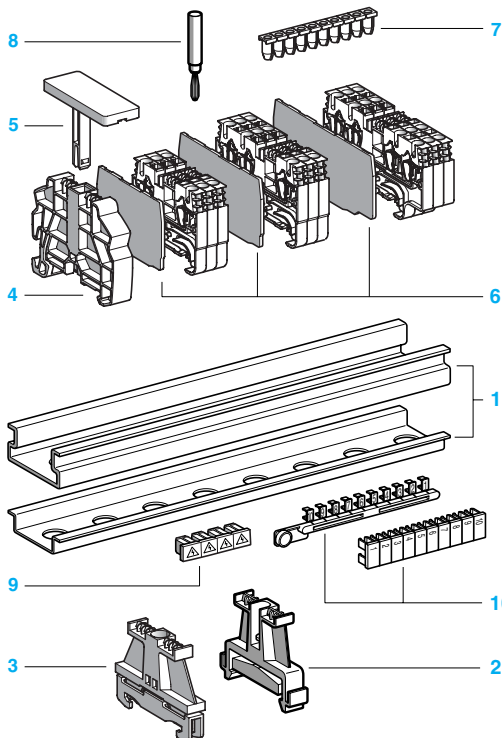
Green/yellow

No. of points	Sold in lots of	Catalog number	Weight oz (g)
3	100	AB1RRNTP435U3	0.43 (12.3)

Accessories

2	Plastic end clamp with screw	Width 0.3 in. (8 mm) on $\frac{1}{2}$ or $\frac{1}{4}$	—	100	AB1AB8P35	0.21 (5.9)
3	Metal end clamp with screw	Width 0.3 in. (8 mm) on $\frac{1}{2}$ or $\frac{1}{4}$	—	100	AB1AB8M35	0.52 (14.8)
4	Clip-on plastic end clamp	Width 0.3 in. (8 mm) on $\frac{1}{2}$ or $\frac{1}{4}$	—	100	AB1AB8R35	0.21 (5.9)
5	Marker tag holder for clip-on plastic end clamp		—	10	AB1SB4	0.11 (3.1)
6	End plate	Green thickness 0.06 in. (1.5 mm)	—	10	AB1RRNTPAC443	0.11 (3.2)
7	Wire guide entry strip	0.13–0.2 mm ² White	—	100	AB1RRNGF11	0.03 (0.8)
		0.25–0.5 mm ² Gray	—	100	AB1RRNGF22	0.03 (0.8)
		0.75–1 mm ² Black	—	100	AB1RRNGF33	0.03 (0.8)
8	Test plug	Red	—	10	AB1AT1	0.07 (1.9)
9	Terminal cover		4	100	AB1RRCS4	0.01 (0.4)
10	Marking accessories		See pages 5/2 and 5/3.			

524013



Terminal Blocks, Type AB1

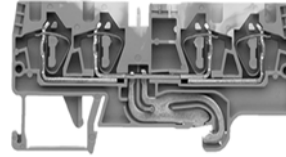
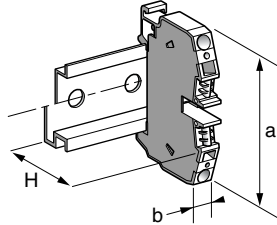
Spring technology

Grounding type

Clip-on mounting on 35 mm $\frac{25}{8}$ rails

Nominal wire size

4 mm²



AB1RRNTP435U4

Approximate dimensions, in. (mm)

1	Length (a)	3.24 (82.2)
	Width (b)	0.24 (6)
	Height (H) with $\frac{25}{8}$ rail	1.80 (45.65)
	with $\frac{35}{8}$ rail	1.50 (38.15)

Wire size, mm²

Stranded without cable end	0.13–4
Stranded with cable end	0.5–4
Solid	0.13–6

Nominal electrical values

IEC/EN 60947-7-1	800 V / 8 kV / 3–32 A
UL File E164359 CCN XCFR2	24–10 AWG, 600 V, 30 A
CSA File 702070 Class 6228 01	24–10 AWG, 600 V, 32 A
UTE, category C	—
VDE, group C	800 V, 32 A

Certifications

See the tables beginning on page 1/10.

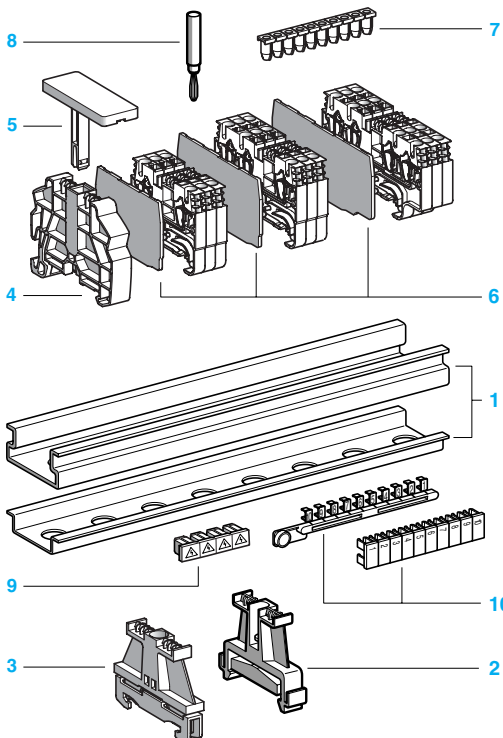
Terminal blocks

	No. of points	Sold in lots of	Catalog number	Weight oz (g)
Green/yellow	4	100	AB1RRNTP435U4	0.53 (15.1)

Accessories

2	Plastic end clamp with screw	Width 0.3 in. (8 mm) on $\frac{25}{8}$ or $\frac{35}{8}$	—	100	AB1AB8P35	0.21 (5.9)
3	Metal end clamp with screw	Width 0.3 in. (8 mm) on $\frac{25}{8}$ or $\frac{35}{8}$	—	100	AB1AB8M35	0.52 (14.8)
4	Clip-on plastic end clamp	Width 0.3 in. (8 mm) on $\frac{25}{8}$ or $\frac{35}{8}$	—	100	AB1AB8R35	0.21 (5.9)
5	Marker tag holder for clip-on plastic end clamp		—	10	AB1SB4	0.11 (3.1)
6	End plate	Green thickness 0.06 in. (1.5 mm)	—	10	AB1RRNTPAC444	0.13 (3.8)
7	Wire guide entry strip	0.13–0.2 mm ² White	—	100	AB1RRNGF11	0.03 (0.8)
		0.25–0.5 mm ² Gray	—	100	AB1RRNGF22	0.03 (0.8)
		0.75–1 mm ² Black	—	100	AB1RRNGF33	0.03 (0.8)
8	Test plug	Red	—	10	AB1AT1	0.07 (1.9)
9	Terminal cover		4	100	AB1RRCS4	0.01 (0.4)
10	Marking accessories		See pages 5/2 and 5/3.			

5244013



Terminal Blocks, Type AB1

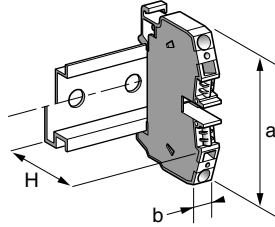
Spring technology

Grounding type

Clip-on mounting on 35 mm $\frac{1\frac{1}{2}}$ rails

Nominal wire size

6 mm²



AB1RRNTP635U2

Approximate dimensions, in. (mm)

1	Length (a)	2.60 (66)
	Width (b)	0.31 (8)
	Height (H) $\frac{1\frac{1}{2}}$ rail with $\frac{1\frac{1}{2}}$ rail	2.05 (52.05) 1.75 (44.55)

Wire size, mm²

Stranded without cable end	0.2–6
Stranded with cable end	0.2–6
Solid	0.2–10

Nominal electrical values

IEC/EN 60947-7-1	800 V / 8 kV / 41 A
UL File E164359 CCN XCFR2	24–8 AWG, 600 V, 50 A
CSA File 702070 Class 6228 01	24–8 AWG, 600 V, 41 A
UTE, category C	—
VDE, group C	800 V, 41 A

Certifications

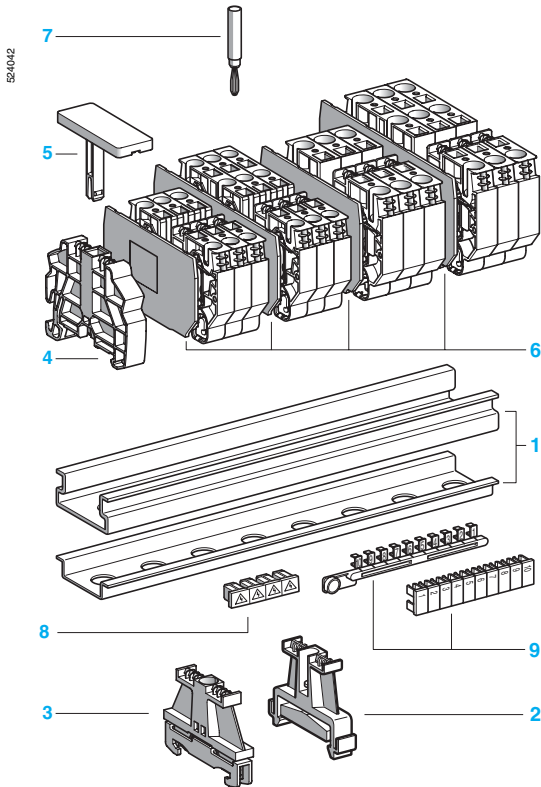
See the tables beginning on page 1/10.

Terminal blocks

	No. of points	Sold in lots of	Catalog number	Weight oz (g)
Green/yellow	2	50	AB1RRNTP635U2	0.71 (20.2)

Accessories

2	Plastic end clamp with screw	Width 0.3 in. (8 mm) on $\frac{1\frac{1}{2}}$ or $\frac{1\frac{1}{2}}$	—	100	AB1AB8P35	0.21 (5.9)
3	Metal end clamp with screw	Width 0.3 in. (8 mm) on $\frac{1\frac{1}{2}}$ or $\frac{1\frac{1}{2}}$	—	100	AB1AB8M35	0.52 (14.8)
4	Clip-on plastic end clamp	Width 0.3 in. (8 mm) on $\frac{1\frac{1}{2}}$ or $\frac{1\frac{1}{2}}$	—	100	AB1AB8R35	0.21 (5.9)
5	Marker tag holder for clip-on plastic end clamp		—	10	AB1SB4	0.11 (3.1)
6	End plate	Green thickness 0.06 in. (1.5 mm)	—	10	AB1RRNTPAC642	0.14 (4.0)
7	Test plug	Red	—	10	AB1AT1	0.07 (1.9)
8	Terminal cover		4	10	AB1RRCS6	0.01 (0.4)
9	Marking accessories		See pages 5/2 and 5/3.			



52/4042

Terminal Blocks, Type AB1

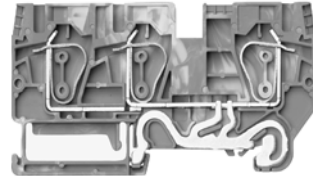
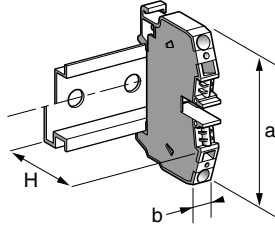
Spring technology

Grounding type

Clip-on mounting on 35 mm $\frac{25}{8}$ rails

Nominal wire size

6 mm²



AB1RRNTP635U3

Approximate dimensions, in. (mm)

1	Length (a)	3.54 (90)
	Width (b)	0.31 (8)
	Height (H) $\frac{25}{8}$ rail	2.05 (52.05)
	with $\frac{25}{8}$ rail	1.75 (44.55)

Wire size, mm²

Stranded without cable end	0.2–6
Stranded with cable end	0.2–6
Solid	0.2–10

Nominal electrical values

IEC/EN 60947-7-1	800 V / 8 kV / 41 A
UL File E164359 CCN XCFR2	24–8 AWG, 600 V, 50 A
CSA File 702070 Class 6228 01	24–8 AWG, 600 V, 41 A
UTE, category C	—
VDE, group C	800 V, 41 A

Certifications

See the tables beginning on page 1/10.

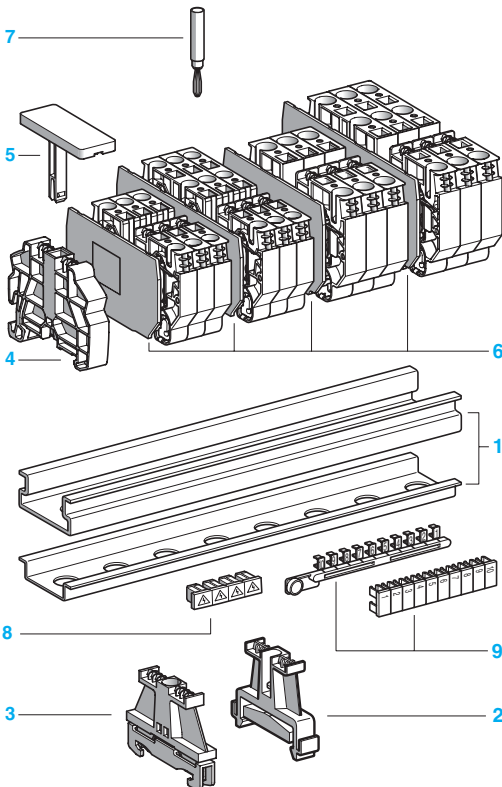
Terminal blocks

	No. of points	Sold in lots of	Catalog number	Weight oz (g)
Green/yellow	3	50	AB1RRNTP635U3	0.98 (27.8)

Accessories

2	Plastic end clamp with screw	Width 0.3 in. (8 mm) on $\frac{25}{8}$ or $\frac{25}{8}$	—	100	AB1AB8P35	0.21 (5.9)
3	Metal end clamp with screw	Width 0.3 in. (8 mm) on $\frac{25}{8}$ or $\frac{25}{8}$	—	100	AB1AB8M35	0.52 (14.8)
4	Clip-on plastic end clamp	Width 0.3 in. (8 mm) on $\frac{25}{8}$ or $\frac{25}{8}$	—	100	AB1AB8R35	0.21 (5.9)
5	Marker tag holder for clip-on plastic end clamp		—	10	AB1SB4	0.11 (3.1)
6	End plate	Green thickness 0.06 in. (1.5 mm)	—	10	AB1RRNTPAC643	0.18 (5.2)
7	Test plug	Red	—	10	AB1AT1	0.07 (1.9)
8	Terminal cover		4	10	AB1RRCS6	0.01 (0.4)
9	Marking accessories		See pages 5/2 and 5/3.			

524042



Terminal Blocks, Type AB1

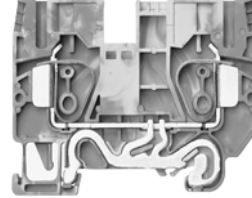
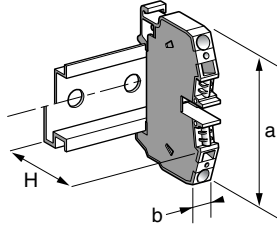
Spring technology

Grounding type

Clip-on mounting on 35 mm $\underline{2.5}$ $\underline{1}$ rails

Nominal wire size

10 mm²



AB1RRNTP1035U2

Approximate dimensions, in. (mm)

Length (a)	2.85 (72.5)
Width (b)	0.39 (10)
Height (H) $\underline{2.5}$ rail	2.28 (58)
with $\underline{1}$ rail	1.99 (50.5)

Wire size, mm²

Stranded without cable end	0.2–10
Stranded with cable end	0.2–10
Solid	0.2–16

Nominal electrical values

IEC/EN 60947-7-1	800 V / 8 kV / 57 A
UL File E164359 CCN XCFR2	16–6 AWG, 600 V, 60 A
CSA File 702070 Class 6228 01	16–6 AWG, 600 V, 65 A
UTE, category C	—
VDE, group C	800 V, 57 A

Certifications

See the tables beginning on page 1/10.

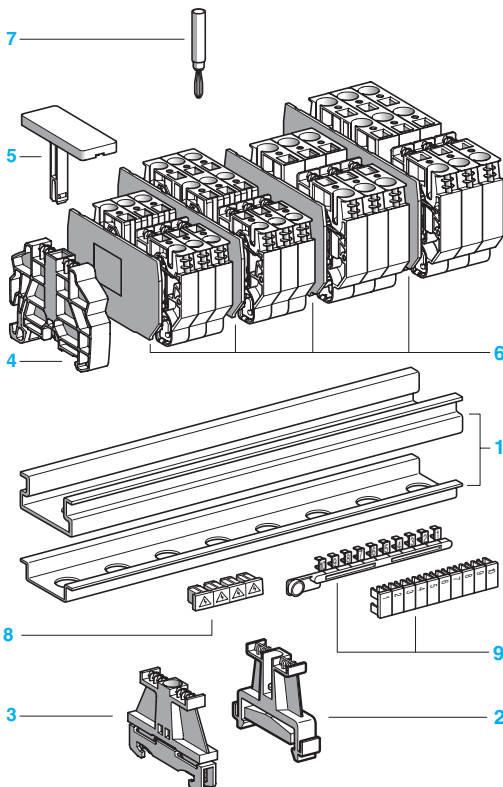
Terminal blocks

	No. of points	Sold in lots of	Catalog number	Weight, g (oz)
Green/yellow	2	50	AB1RRNTP1035U2	1.18 (33.5)

Accessories

2 Plastic end clamp with screw	Width 0.3 in. (8 mm) on $\underline{2.5}$ or $\underline{1}$	—	100	AB1AB8P35	0.21 (5.9)
3 Metal end clamp with screw	Width 0.3 in. (8 mm) on $\underline{2.5}$ or $\underline{1}$	—	100	AB1AB8M35	0.52 (14.8)
4 Clip-on plastic end clamp	Width 0.3 in. (8 mm) on $\underline{2.5}$ or $\underline{1}$	—	100	AB1AB8R35	0.21 (5.9)
5 Marker tag holder for clip-on plastic end clamp		—	10	AB1SB4	0.11 (3.1)
6 End plate	Green thickness 0.06 in. (1.5 mm)	—	10	AB1RRNTPAC1042	0.18 (5.1)
7 Test plug	Red	—	10	AB1AT1	0.07 (1.9)
8 Terminal cover		4	100	AB1RRCS10	0.03 (0.8)
9 Marking accessories		See pages 5/2 and 5/3.			

524042



Terminal Blocks, Type AB1

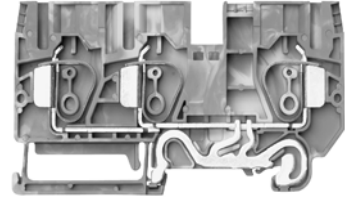
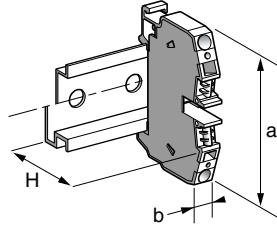
Spring technology

Grounding type

Clip-on mounting on 35 mm $\frac{25}{8}$ rails

Nominal wire size

10 mm²



AB1RRNTP1035U3

Approximate dimensions, in. (mm)

Length (a)	3.86 (98)
Width (b)	0.39 (10)
Height (H) $\frac{25}{8}$ rail	2.28 (58)
with $\frac{25}{8}$ rail	1.99 (50.5)

Wire size, mm²

Stranded without cable end	0.2–10
Stranded with cable end	0.2–10
Solid	0.2–16

Nominal electrical values

IEC/EN 60947-7-1	800 V / 8 kV / 57 A
UL File E164359 CCN XCFR2	16–6 AWG, 600 V, 60 A
CSA File 702070 Class 6228 01	16–6 AWG, 600 V, 65 A
UTE, category C	—
VDE, group C	800 V, 57 A

Certifications

See the tables beginning on page 1/10.

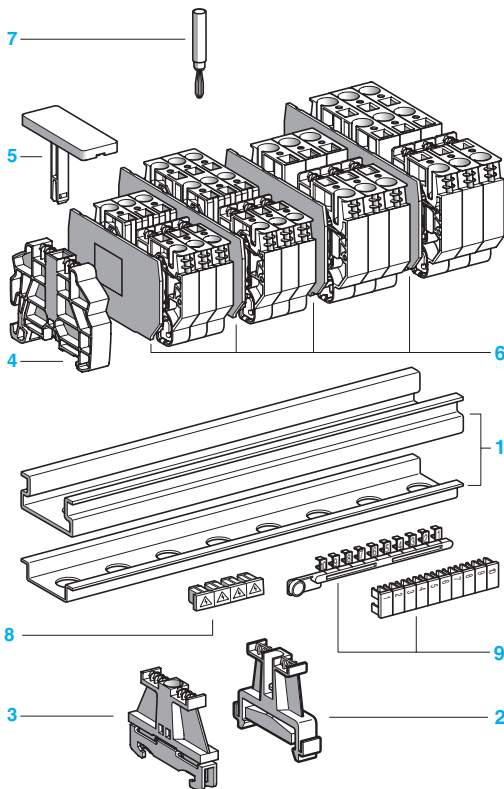
Terminal blocks

	No. of points	Sold in lots of	Catalog number	Weight oz (g)
Green/yellow	3	50	AB1RRNTP1035U3	1.57 (44.4)

Accessories

2 Plastic end clamp with screw	Width 0.3 in. (8 mm) on $\frac{25}{8}$ or $\frac{35}{8}$	—	100	AB1AB8P35	0.21 (5.9)
3 Metal end clamp with screw	Width 0.3 in. (8 mm) on $\frac{25}{8}$ or $\frac{35}{8}$	—	100	AB1AB8M35	0.52 (14.8)
4 Clip-on plastic end clamp	Width 0.3 in. (8 mm) on $\frac{25}{8}$ or $\frac{35}{8}$	—	100	AB1AB8R35	0.21 (5.9)
5 Marker tag holder for clip-on plastic end clamp		—	10	AB1SB4	0.11 (3.1)
6 End plate	thickness 0.06 in. (1.5 mm) Green	—	10	AB1RRNTPAC1043	0.24 (6.7)
7 Test plug	Red	—	10	AB1AT1	0.07 (1.9)
8 Terminal cover		4	10	AB1RRCS10	0.03 (0.8)
9 Marking accessories		See pages 5/2 and 5/3.			

524642



Terminal Blocks, Type AB1

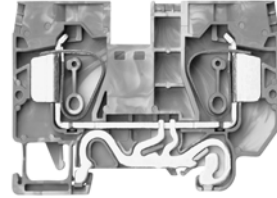
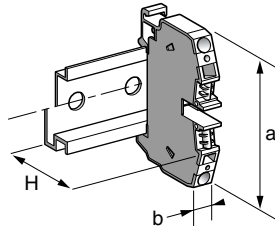
Spring technology

Grounding type

Clip-on mounting on 35 mm $\underline{2.5}$ $\underline{1}$ rails

Nominal wire size

16 mm²



AB1RRNTP1635U2

Approximate dimensions, in. (mm)

1	Length (a)	3.11 (79.1)
	Width (b)	0.47 (12)
	Height (H) $\underline{2.5}$ rail with $\underline{1}$ rail	2.28 (58) 1.99 (50.5)

Wire size, mm²

Stranded without cable end	0.2–16
Stranded with cable end	0.2–16
Solid	0.2–25

Nominal electrical values

IEC/EN 60947-7-1	800 V / 8 kV / 76 A
UL File E164359 CCN XCFR2	16–4 AWG, 600 V, 85 A
CSA File 702070 Class 6228 01	16–4 AWG, 600 V, 85 A
UTE, category C	—
VDE, group C	800 V, 76 A

Certifications

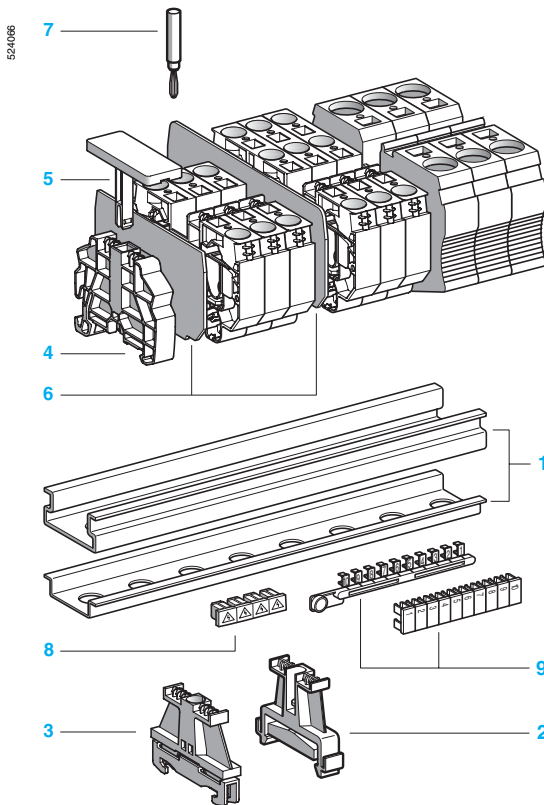
See the tables beginning on page 1/10.

Terminal blocks

	No. of points	Sold in lots of	Catalog number	Weight oz (g)
Green/yellow	2	50	AB1RRNTP1635U2	1.56 (44.1)

Accessories

2	Plastic end clamp with screw	Width 0.3 in. (8 mm) on $\underline{2.5}$ or $\underline{1}$	—	100	AB1AB8P35	0.21 (5.9)
3	Metal end clamp with screw	Width 0.3 in. (8 mm) on $\underline{2.5}$ or $\underline{1}$	—	100	AB1AB8M35	0.52 (14.8)
4	Clip-on plastic end clamp	Width 0.3 in. (8 mm) on $\underline{2.5}$ or $\underline{1}$	—	100	AB1AB8R35	0.21 (5.9)
5	Marker tag holder for clip-on plastic end clamp		—	10	AB1SB4	0.11 (3.1)
6	End plate	Green thickness 0.06 in. (1.5 mm)	—	10	AB1RRNTPAC1642	0.19 (5.5)
7	Test plug	Red	—	10	AB1AT1	0.07 (1.9)
8	Terminal cover		4	10	AB1RRCS16	0.04 (1.2)
9	Marking accessories		See pages 5/2 and 5/3.			



524086

Terminal Blocks, Type AB1

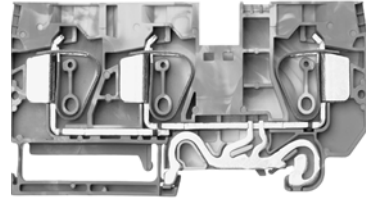
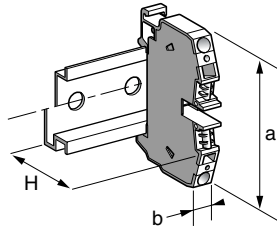
Spring technology

Grounding type

Clip-on mounting on 35 mm $\frac{25}{8}$ rails

Nominal wire size

16 mm²



AB1RRNTP1635U3

Approximate dimensions, in. (mm)

1	Length (a)	4.2 (106.7)
	Width (b)	0.47 (12)
	Height (H) $\frac{25}{8}$ rail	2.28 (58)
	with $\frac{25}{8}$ rail	1.99 (50.5)

Wire size, mm²

Stranded without cable end	0.2–16
Stranded with cable end	0.2–16
Solid	0.2–25

Nominal electrical values

IEC/EN 60947-7-1	800 V / 8 kV / 76 A
UL File E164359 CCN XCFR2	16–4 AWG, 600 V, 85 A
CSA File 702070 Class 6228 01	16–4 AWG, 600 V, 85 A
UTE, category C	—
VDE, group C	800 V, 76 A

Certifications

See the tables beginning on page 1/10.

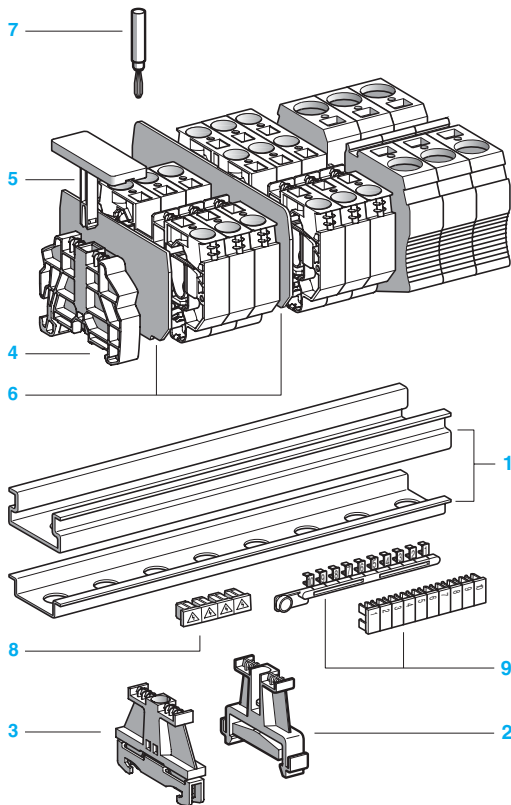
Terminal blocks

	No. of points	Sold in lots of	Catalog number	Weight oz (g)
Green/yellow	3	25	AB1RRNTP1635U3	2.21 (62.6)

Accessories

2	Plastic end clamp with screw	Width 0.3 in. (8 mm) on $\frac{25}{8}$ or $\frac{25}{8}$	—	100	AB1AB8P35	0.21 (5.9)
3	Metal end clamp with screw	Width 0.3 in. (8 mm) on $\frac{25}{8}$ or $\frac{25}{8}$	—	100	AB1AB8M35	0.52 (14.8)
4	Clip-on plastic end clamp	Width 0.3 in. (8 mm) on $\frac{25}{8}$ or $\frac{25}{8}$	—	100	AB1AB8R35	0.21 (5.9)
5	Marker tag holder for clip-on plastic end clamp		—	10	AB1SB4	0.11 (3.1)
6	End plate	Green thickness 0.06 in. (1.5 mm)	—	10	AB1RRNTPAC1643	0.26 (7.3)
7	Test plug	Red	—	10	AB1AT1	0.07 (1.9)
8	Terminal cover		4	10	AB1RRCS16	0.04 (1.2)
9	Marking accessories		See pages 5/2 and 5/3.			

524066



Terminal Blocks, Type AB1

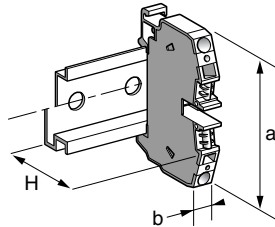
Spring technology

Grounding type

Clip-on mounting on 35 mm $\underline{2.5}$ $\underline{1}$ rails

Nominal wire size

35 mm²



AB1RRNTP3535U2

Approximate dimensions, in. (mm)

1	Length (a)	3.93 (99.9)
	Width (b)	0.63 (16)
	Height (H) $\underline{2.5}$ rail	2.63 (66.7)
	with $\underline{1}$ rail	2.33 (59.2)

Wire size, mm²

Stranded without cable end	2.5–35
Stranded with cable end	2.5–35
Solid	2.5–35

Nominal electrical values

IEC/EN 60947-7-1	800 V / 8 kV / 3–125 A
UL File E164359 CCN XCFR2	14–2 AWG, 600 V, 120 A
CSA File 702070 Class 6228 01	14–2 AWG, 600 V, 120 A
UTE, category C	—
VDE, group C	800 V, 120 A

Certifications

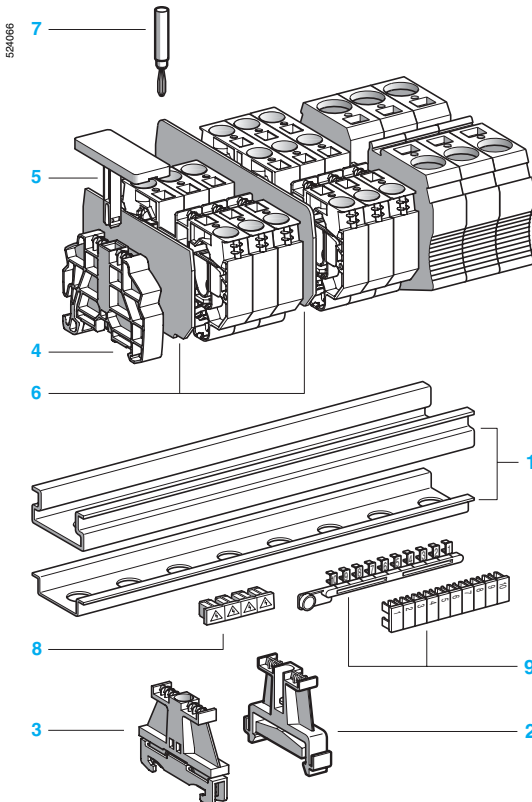
See the tables beginning on page 1/10.

Terminal blocks

	No. of points	Sold in lots of	Catalog number	Weight oz (g)
Green/yellow	2	10	AB1RRNTP3535U2	5.24 (148.5)

Accessories

2	Plastic end clamp with screw	Width 0.3 in. (8 mm) on $\underline{2.5}$ or $\underline{1}$	—	100	AB1AB8P35	0.21 (5.9)
3	Metal end clamp with screw	Width 0.3 in. (8 mm) on $\underline{2.5}$ or $\underline{1}$	—	100	AB1AB8M35	0.52 (14.8)
4	Clip-on plastic end clamp	Width 0.3 in. (8 mm) on $\underline{2.5}$ or $\underline{1}$	—	100	AB1AB8R35	0.21 (5.9)
5	Marker tag holder for clip-on plastic end clamp		—	10	AB1SB4	0.11 (3.1)
6	End plate	Green thickness 0.06 in. (1.5 mm)	—	—	—	—
7	Test plug	Red	—	10	AB1AT1	0.07 (1.9)
8	Terminal cover		4	10	AB1RRCS35	0.01 (0.2)
9	Marking accessories		See pages 5/2 and 5/3.			



Terminal Blocks, Type AB1

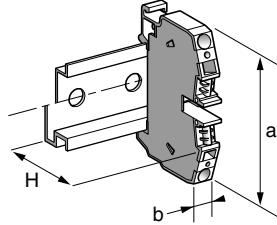
Spring technology

Blade disconnect type

Clip-on mounting on 35 mm $\frac{25}{100}$ rails

Nominal wire size

2.5 mm²



AB1RRNSC235U2

Approximate dimensions, in. (mm)

1	Length (a)	2.85 (59.75)
	Width (b)	0.20 (5)
	Height (H)	1.8 (45.6) + 0.38 (9.6) for open switch
	with $\frac{25}{100}$ rail	1.5 (38.1) + 0.38 (9.6) for open switch

Wire size, mm²

Stranded without cable end	0.13–2.5
Stranded with cable end	0.5–2.5
Solid	0.13–4

Nominal electrical values

IEC/EN 60947-7-1	630 V / 6 kV / 3–20 A
UL File E164359 CCN XCFR2	24–12 AWG, 300 V, 19 A
CSA File 702070 Class 6228 01	24–12 AWG, 300 V, 20 A
UTE, category C	—
VDE, group C	630 V / 20 A

Certifications

See the tables beginning on page 1/10.

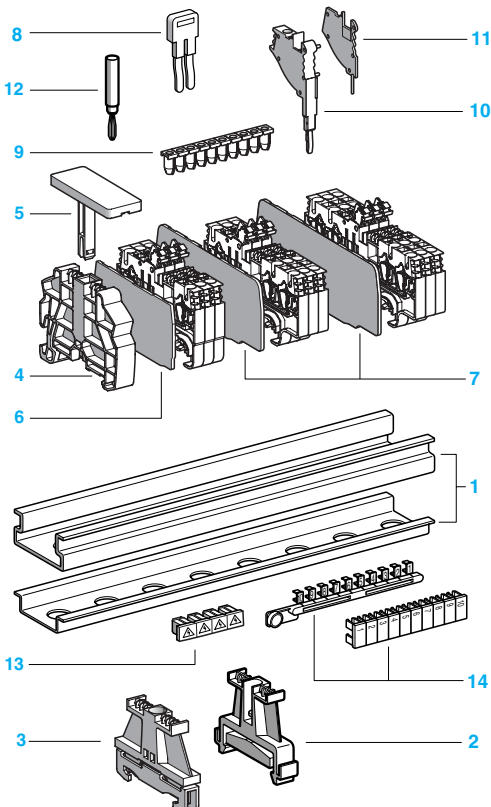
Terminal blocks

No. points	Sold in lots of	Catalog number	Weight oz (g)
2	100	AB1RRNSC235U2	0.27 (7.7)

Accessories

No.	Description	Color	No. points	Sold in lots of	Catalog number	Weight oz (g)	
2	Plastic end clamp with screw	Gray	—	100	AB1AB8P35	0.21 (5.9)	
3	Metal end clamp with screw	—	—	100	AB1AB8M35	0.52 (14.8)	
4	Clip-on plastic end clamp	—	—	100	AB1AB8R35	0.21 (5.9)	
5	Marker tag holder for clip-on plastic end clamp	—	—	10	AB1SB4	0.11 (3.1)	
6	End plate	Gray	—	10	AB1RRNAC243GR	0.10 (2.8)	
7	Partition plate	Gray	—	10	AB1RRNAS243GR	0.12 (3.4)	
8	Insulated jumper	—	—	10	AB1RRAL22	0.04 (1.1)	
	3-pole	—	—	10	AB1RRAL23	0.06 (1.7)	
	4-pole	—	—	10	AB1RRAL24	0.08 (2.2)	
	5-pole	—	—	10	AB1RRAL25	0.10 (2.8)	
	10-pole	—	—	20	AB1RRAL210	0.20 (5.6)	
9	Wire guide entry strip	White	—	100	AB1RRNGF01	0.03 (0.9)	
	0.25–0.5 mm ²	Gray	—	100	AB1RRNGF02	0.03 (0.9)	
	0.75–1 mm ²	Black	—	100	AB1RRNGF03	0.03 (0.9)	
10	Modular test connector	Gray	—	10	AB1AT3	0.08 (2.4)	
11	Modular test connector end plate	—	—	10	AB1AC3	0.01 (0.4)	
12	Test plug	Red	—	10	AB1AT1	0.07 (1.9)	
13	Terminal cover	—	—	10	AB1RRNCS2	0.01 (0.3)	
14	Marking accessories	—	—	4	10	AB1RRNCS2	0.01 (0.3)

See pages 5/2 and 5/3.



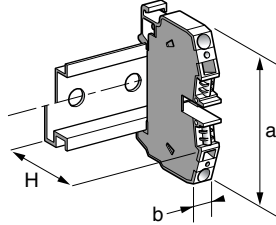
Terminal Blocks, Type AB1

Spring technology
Blade disconnect type

Clip-on mounting on 35 mm $\frac{2.5}{10}$ rails

Nominal wire size

2.5 mm²



AB1RRNSC235U3

Approximate dimensions, in. (mm)

1	Length (a)	2.85 (72.4)
	Width (b)	0.20 (5)
	Height (H) $\frac{2.5}{10}$ rail	1.8 (45.6) + 0.38 (9.6) for open switch
	with $\frac{10}{16}$ rail	1.5 (38.1) + 0.38 (9.6) for open switch

Wire size, mm²

Stranded without cable end	0.13–2.5
Stranded with cable end	0.5–2.5
Solid	0.13–4

Nominal electrical values

IEC/EN 60947-7-1	630 V / 6 kV / 3–20 A
UL File E164359 CCN XCFR2	24–12 AWG, 300 V, 19 A
CSA File 702070 Class 6228 01	24–12 AWG, 300 V, 20 A
UTE, category C	—
VDE, group C	630 V / 20 A

Certifications

See the tables beginning on page 1/10.

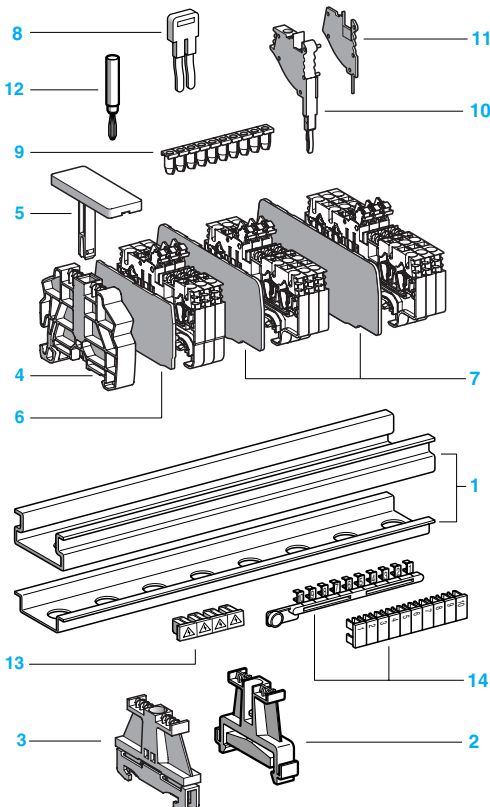
Terminal blocks

Gray

No. points	Sold in lots of	Catalog number	Weight oz (g)
3	100	AB1RRNSC235U3	0.33 (9.3)

Accessories

2	Plastic end clamp with screw	Width 0.3 in. (8 mm) on $\frac{2.5}{10}$ or $\frac{16}{10}$	—	100	AB1AB8P35	0.21 (5.9)
3	Metal end clamp with screw	Width 0.3 in. (8 mm) on $\frac{2.5}{10}$ or $\frac{16}{10}$	—	100	AB1AB8M35	0.52 (14.8)
4	Clip-on plastic end clamp	Width 0.3 in. (8 mm) on $\frac{2.5}{10}$ or $\frac{16}{10}$	—	100	AB1AB8R35	0.21 (5.9)
5	Marker tag holder for clip-on plastic end clamp		—	10	AB1SB4	0.11 (3.1)
6	End plate	Gray thickness 0.06 in. (1.5 mm)	—	10	AB1RRNAC244GR	0.12 (3.4)
7	Partition plate	Gray thickness 0.06 in. (1.5 mm)	—	10	AB1RRNAS244GR	0.13 (3.6)
8	Insulated jumper	2-pole	—	10	AB1RRAL22	0.04 (1.1)
		3-pole	—	10	AB1RRAL23	0.06 (1.7)
		4-pole	—	10	AB1RRAL24	0.08 (2.2)
		5-pole	—	10	AB1RRAL25	0.10 (2.8)
		10-pole	—	20	AB1RRAL210	0.20 (5.6)
9	Wire guide entry strip	0.13–0.2 mm ² White	—	100	AB1RRNGF01	0.03 (0.9)
		0.25–0.5 mm ² Gray	—	100	AB1RRNGF02	0.03 (0.9)
		0.75–1 mm ² Black	—	100	AB1RRNGF03	0.03 (0.9)
10	Modular test connector	Gray	—	10	AB1AT3	0.08 (2.4)
11	Modular test connector end plate	Gray	—	10	AB1AC3	0.01 (0.4)
12	Test plug	Red	—	10	AB1AT1	0.07 (1.9)
13	Terminal cover		4	10	AB1RRNCS2	0.01 (0.3)
14	Marking accessories		See pages 5/2 and 5/3.			



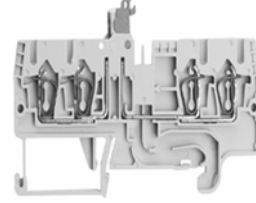
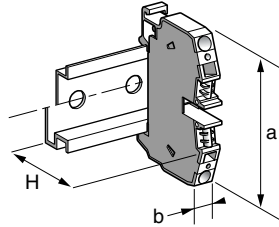
Terminal Blocks, Type AB1

Spring technology
Blade disconnect type

Clip-on mounting on 35 mm $\frac{2.5}{\text{rail}}$ rails

Nominal wire size

2.5 mm²



AB1RRNSC235U4

Approximate dimensions, in. (mm)

1	Length (a)	3.35 (85.1)
	Width (b)	0.20 (5)
	Height (H)	1.8 (45.6) + 0.38 (9.6) for open switch
	with $\frac{2.5}{\text{rail}}$	1.5 (38.1) + 0.38 (9.6) for open switch

Wire size, mm²

Stranded without cable end	0.13–2.5
Stranded with cable end	0.5–2.5
Solid	0.13–4

Nominal electrical values

IEC/EN 60947-7-1	630 V / 6 kV / 3–20 A
UL File E164359 CCN XCFR2	24–12 AWG, 300 V, 19 A
CSA File 702070 Class 6228 01	24–12 AWG, 300 V, 20 A
UTE, category C	—
VDE, group C	630 V / 20 A

Certifications

See the tables beginning on page 1/10.

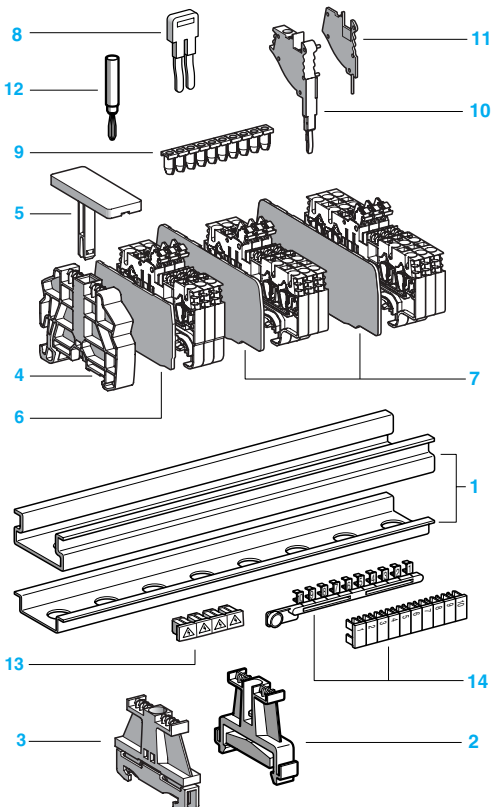
Terminal blocks

	No. points	Sold in lots of	Catalog number	Weight oz (g)
Gray	4	100	AB1RRNSC235U4	0.39 (11.0)

Accessories

2	Plastic end clamp with screw	Width 0.3 in. (8 mm) on $\frac{2.5}{\text{or}}$ $\frac{1.5}{\text{or}}$	—	100	AB1AB8P35	0.21 (5.9)
3	Metal end clamp with screw	Width 0.3 in. (8 mm) on $\frac{2.5}{\text{or}}$ $\frac{1.5}{\text{or}}$	—	100	AB1AB8M35	0.52 (14.8)
4	Clip-on plastic end clamp	Width 0.3 in. (8 mm) on $\frac{2.5}{\text{or}}$ $\frac{1.5}{\text{or}}$	—	100	AB1AB8R35	0.21 (5.9)
5	Marker tag holder for clip-on plastic end clamp		—	10	AB1SB4	0.11 (3.1)
6	End plate	thickness 0.06 in. (1.5 mm)	Gray	10	AB1RRNAC245GR	0.14 (3.9)
7	Partition plate	thickness 0.06 in. (1.5 mm)	Gray	10	AB1RRNAS245GR	0.17 (4.8)
8	Insulated jumper	2-pole	—	10	AB1RRAL22	0.04 (1.1)
		3-pole	—	10	AB1RRAL23	0.06 (1.7)
		4-pole	—	10	AB1RRAL24	0.08 (2.2)
		5-pole	—	10	AB1RRAL25	0.10 (2.8)
		10-pole	—	20	AB1RRAL210	0.20 (5.6)
9	Wire guide entry strip	0.13–0.2 mm ²	White	100	AB1RRNGF01	0.03 (0.9)
		0.25–0.5 mm ²	Gray	100	AB1RRNGF02	0.03 (0.9)
		0.75–1 mm ²	Black	100	AB1RRNGF03	0.03 (0.9)
10	Modular test connector		Gray	10	AB1AT3	0.08 (2.4)
11	Modular test connector end plate			10	AB1AC3	0.01 (0.4)
12	Test plug		Red	10	AB1AT1	0.07 (1.9)
13	Terminal cover			4	AB1RRNCS2	0.01 (0.3)
14	Marking accessories					

See pages 5/2 and 5/3.



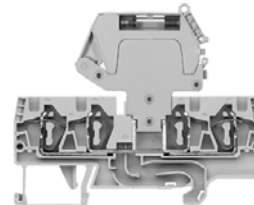
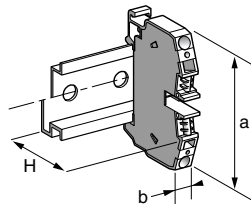
Terminal Blocks, Type AB1

Spring technology
Disconnect (removable carrier)
for diode or cylindrical fuse

Clip-on mounting on 35 mm $\frac{25}{100}$ rails

Nominal wire size

4 mm²



AB1RRNSF435UGR

Approximate dimensions, in. (mm)

1	Length (a)	3.24 (82.2)
	Width (b)	0.24 (6)
	Height (H) $\frac{25}{100}$ rail with $\frac{35}{100}$ rail	1.80 (45.65) 1.50 (38.15)

Wire size, mm²

Stranded without cable end	0.13–4
Stranded with cable end	0.5–4
Solid	0.13–6

Nominal electrical values (1), (2)

IEC/EN 60947-7-1	500 V / 6 kV
UL File E164359 CCN XCFR2	Pending
CSA File 702070 Class 6228 01	Pending
UTE, category C	—
VDE, group C	—

Certifications

See the tables beginning on page 1/10.

Terminal Blocks (3)

		No. points	Sold in lots of	Catalog number	Weight oz (g)
8 Removable carrier	Gray	4	100	AB1RRNSF435UGR	0.46 (13.1)
	For diode or resistor	—	100	AB1SV1	0.16 (4.5)
	With diode 1N4007.1	—	100	AB1SV2	0.17 (4.7)
Removable carrier (for 5x20 fuse)	For fuse only	—	100	AB1SF520	0.16 (4.4)
	With 24 V red LED	—	100	AB1SF520B	0.17 (4.7)
	With 220 V red LED	—	100	AB1SF520M	0.17 (4.7)
Removable carrier and pivoting	For 5 x 20 fuse	—	100	AB1SF520D	0.21 (6.0)
	For 6.3 x 32 fuse	—	100	AB1SF6332D	0.29 (8.2)

Accessories

2 End clamp+	Plastic	—	100	AB1AB8P35	0.21 (5.9)	
3 screw (4)	Metal	—	100	AB1AB8M35	0.52 (14.8)	
4 Clip-on plastic end clamp (4)		—	100	AB1AB8R35	0.21 (5.9)	
5 Marker tag holder for clip-on plastic end clamp		—	10	AB1SB4	0.11 (3.1)	
6 End plate	Gray thickness 0.06 in. (1.5 mm)	—	10	AB1RRNAC444GR	0.13 (3.8)	
7 Partition plate	Gray thickness 0.06 in. (1.5 mm)	—	10	AB1RRNAS444GR	0.17 (4.8)	
9 Insulated jumper (5)		—	—	AB1RRAL4•	—	
10 Wire guide entry strip	0.13–0.2 mm ²	White	—	100	AB1RRNGF11	0.03 (0.8)
	0.25–0.5 mm ²	Gray	—	100	AB1RRNGF22	0.03 (0.8)
	0.75–1 mm ²	Black	—	100	AB1RRNGF33	0.03 (0.8)
11 Test plug	Red	—	50	AB1AT1	0.07 (1.9)	
12 Terminal cover		4	100	AB1RRCS4	0.01 (0.4)	
13 Marking accessories		See pages 5/2 and 5/3.				

Carrier characteristics	Nominal voltage (Power loss 1.5 W)	Position of terminal block	
		End	Juxtaposed
	250 V	6.3 A	4 A
Blown fuse indicator characteristics	Catalog number	Nominal voltage	Current consumption
	AB1SF520B	24 V	10.3 mA
	AB1SF520M	220–250 V	0.3 mA

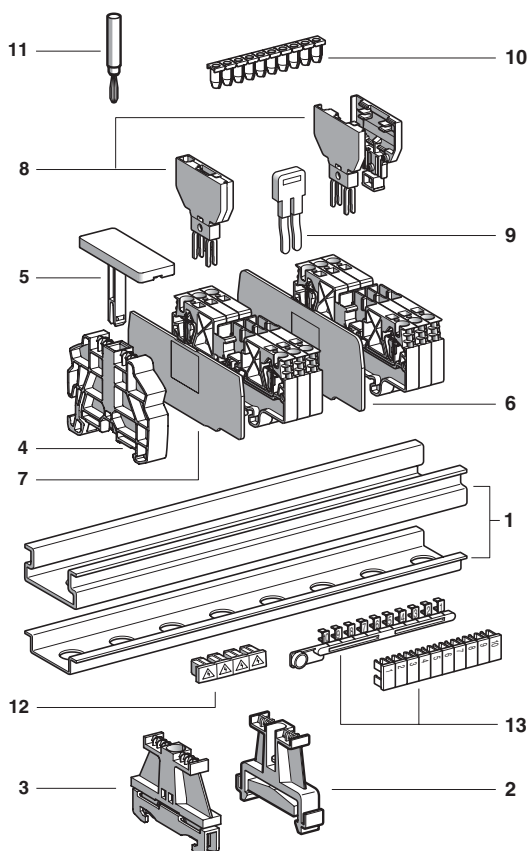


Table Footnotes:

- (1) The voltage/current carrying capacity is determined by the component (fuse and/or diode) used.
- (2) Repetitive peak reverse voltage for diodes is 1000 V.
- (3) Fuses and diodes not included, except for AB1SV2.
- (4) Width 0.3 in. (8 mm) on $\frac{25}{100}$ or $\frac{35}{100}$ rails.
- (5) Replace the • symbol with the number of poles (2, 3, 4, 5, or 10), for example, AB1RRAL45 (5-pole).

Terminal Blocks, Type AB1

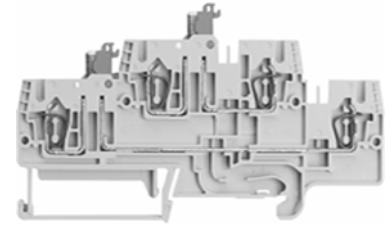
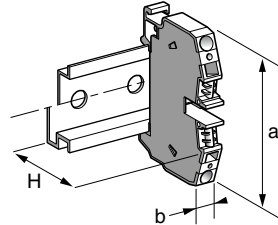
Spring technology

Double deck blade disconnect type

Clip-on mounting on 35 mm $\underline{\text{U}}$ rails

Nominal wire size

2.5 mm²



AB1RRNSCE235U4

Approximate dimensions, in. (mm)

1	Length (a)	4.23 (107.5)
	Width (b)	0.20 (5)
	Height (H) $\underline{\text{U}}$ rail with U rail	2.20 (55.9) + 0.38 (9.6) for open switch 1.91 (48.5) + 0.38 (9.6) for open switch

Wire size, mm²

Stranded without cable end	0.5–2.5
Stranded with cable end	0.5–2.5
Solid	0.5–4

Nominal electrical values

IEC/EN 60947-7-1	500 V / 8 kV / 3–19 A
UL File E164359 CCN XCFR2	24–12 AWG, 300 V, 19 A
CSA File 702070 Class 6228 01	24–12 AWG, 300 V, 19 A
UTE, category C	—
VDE, group C	500 V / 19 A

Certifications

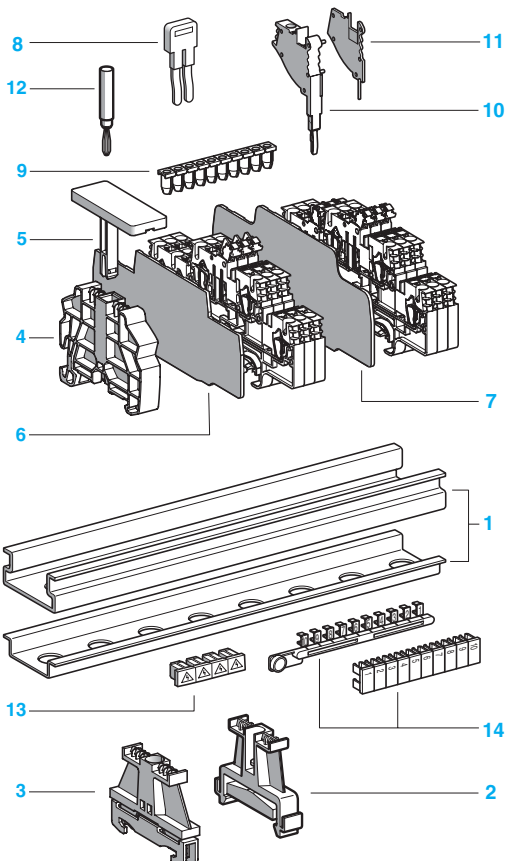
See the tables beginning on page 1/10.

Terminal blocks

	No. points	Sold in lots of	Catalog number	Weight oz (g)
Gray	2/2	50	AB1RRNSCE235U4	0.57 (16.2)

Accessories

2	Plastic end clamp with screw	Width 0.3 in. (8 mm) on $\underline{\text{U}}$ or U	—	100	AB1AB8P35	0.21 (5.9)
3	Metal end clamp with screw	Width 0.3 in. (8 mm) on $\underline{\text{U}}$ or U	—	100	AB1AB8M35	0.52 (14.8)
4	Clip-on plastic end clamp	Width 0.3 in. (8 mm) on $\underline{\text{U}}$ or U	—	100	AB1AB8R35	0.21 (5.9)
5	Marker tag holder for clip-on plastic end clamp		—	10	AB1SB4	0.11 (3.1)
6	End plate thickness 0.06 in. (1.5 mm)	Gray	—	10	AB1RRNACE246	0.20 (5.7)
7	Partition plate thickness 0.06 in. (1.5 mm)	Gray	—	10	AB1RRNASE246	0.35 (9.8)
8	Insulated jumper	2-pole 3-pole 4-pole 5-pole 10-pole	—	10	AB1RRAL22 AB1RRAL23 AB1RRAL24 AB1RRAL25 AB1RRAL210	0.04 (1.1) 0.06 (1.7) 0.08 (2.2) 0.10 (2.8) 0.20 (5.6)
9	Wire guide entry strip	0.13–0.2 mm ² White 0.25–0.5 mm ² Gray 0.75–1 mm ² Black	—	100	AB1RRNGF01 AB1RRNGF02 AB1RRNGF03	0.03 (0.9) 0.03 (0.9) 0.03 (0.9)
10	Modular test connector	Gray	—	10	AB1AT3	0.08 (2.4)
11	Modular test connector end plate		—	10	AB1AC3	0.01 (0.4)
12	Test plug	Red	—	10	AB1AT1	0.07 (1.9)
13	Terminal cover		4	10	AB1RRNCS2	0.01 (0.3)
14	Marking accessories		See pages 5/2 and 5/3.			



Terminal Blocks, Type AB1

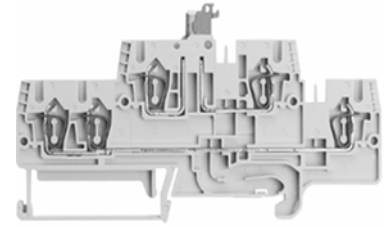
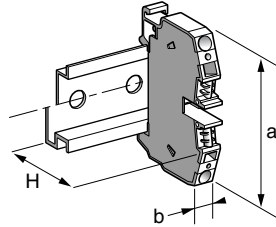
Spring technology

Double deck blade disconnect type

Clip-on mounting on 35 mm ± 5 rails

Nominal wire size

2.5 mm²



Approximate dimensions, in. (mm)

1	Length (a)	4.23 (107.5)
	Width (b)	0.20 (5)
	Height (H) ± 5 rail with \pm rail	2.20 (55.9) + 0.38 (9.6) for open switch 1.91 (48.5) + 0.38 (9.6) for open switch

Wire size, mm²

Stranded without cable end	0.5–2.5
Stranded with cable end	0.5–2.5
Solid	0.5–4

Nominal electrical values

IEC/EN 60947-7-1	800 V / 8 kV / 3–20 A
UL File E164359 CCN XCFR2	24–12 AWG, 300 V, 19 A
CSA File 702070 Class 6228 01	24–12 AWG, 300 V, 20 A
UTE, category C	—
VDE, group C	500 V / 20 A

Certifications

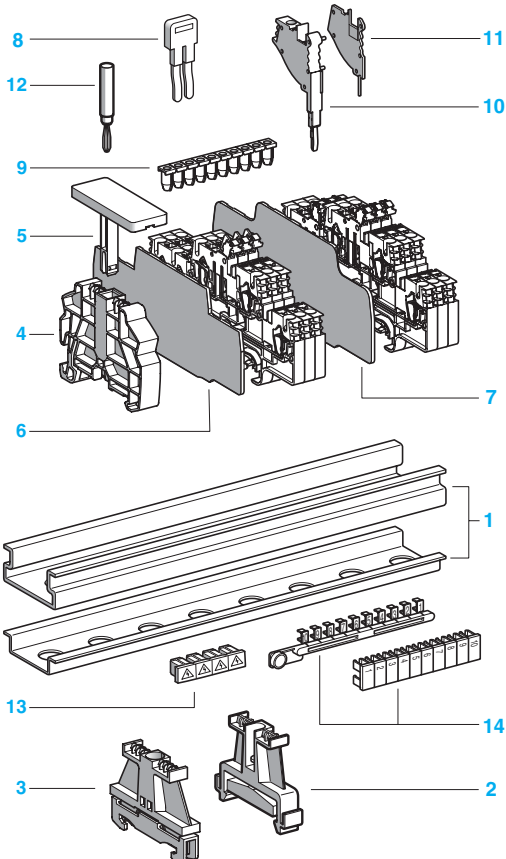
See the tables beginning on page page 1/10.

Terminal blocks

	No. points	Sold in lots of	Catalog number	Weight oz (g)
Gray	2/3	50	AB1RRNSCE235U5	0.56 (15.9)

Accessories

2	Plastic end clamp with screw	Width 0.3 in. (8 mm) on ± 5 or \pm	—	100	AB1AB8P35	0.21 (5.9)
3	Metal end clamp with screw	Width 0.3 in. (8 mm) on ± 5 or \pm	—	100	AB1AB8M35	0.52 (14.8)
4	Clip-on plastic end clamp	Width 0.3 in. (8 mm) on ± 5 or \pm	—	100	AB1AB8R35	0.21 (5.9)
5	Marker tag holder for clip-on plastic end clamp		—	10	AB1SB4	0.11 (3.1)
6	End plate	Gray thickness 0.06 in. (1.5 mm)	—	10	AB1RRNACE246	0.20 (5.7)
7	Partition plate	Gray thickness 0.06 in. (1.5 mm)	—	10	AB1RRNASE246	0.35 (9.8)
8	Insulated jumper	2-pole 3-pole 4-pole 5-pole 10-pole	—	10	AB1RRAL22	0.04 (1.1)
			—	10	AB1RRAL23	0.06 (1.7)
			—	10	AB1RRAL24	0.08 (2.2)
			—	10	AB1RRAL25	0.10 (2.8)
			—	20	AB1RRAL210	0.20 (5.6)
9	Wire guide entry strip	0.13–0.2 mm ² White 0.25–0.5 mm ² Gray 0.75–1 mm ² Black	—	100	AB1RRNGF01	0.03 (0.9)
			—	100	AB1RRNGF02	0.03 (0.9)
			—	100	AB1RRNGF03	0.03 (0.9)
10	Modular test connector	Gray	—	10	AB1AT3	0.08 (2.4)
11	Modular test connector end plate		—	10	AB1AC3	0.01 (0.4)
12	Test plug	Red	—	10	AB1AT1	0.07 (1.9)
13	Terminal cover		—	4	AB1RRNCS2	0.01 (0.3)
14	Marking accessories		See pages 5/2 and 5/3.			



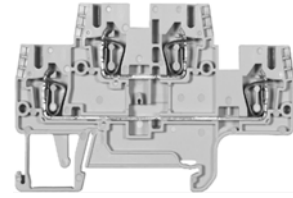
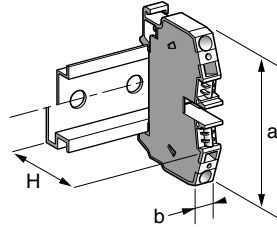
Terminal Blocks, Type AB1

Spring technology
Double deck

Clip-on mounting on 35 mm $\frac{2.5}{5}$ rails

Nominal wire size

2.5 mm²



AB1RRNET235U4

Approximate dimensions, in. (mm)

1	Length (a)	3.24 (82.2)
	Width (b)	0.20 (5)
	Height (H)	2.20 (55.9)
	with $\frac{2.5}{5}$ rail	1.91 (48.4)

Wire size, mm²

Stranded without cable end	0.13–2.5
Stranded with cable end	0.5–2.5
Solid	0.13–4

Nominal electrical values

IEC/EN 60947-7-1	500 V / 6 kV / 24 A
UL File E164359 CCN XCFR2	22–12 AWG, 300 V, 20 A
CSA File 702070 Class 6228 01	24–12 AWG, 300 V, 24 A
UTE, category C	—
VDE, group C	500 V / 24 A

Certifications

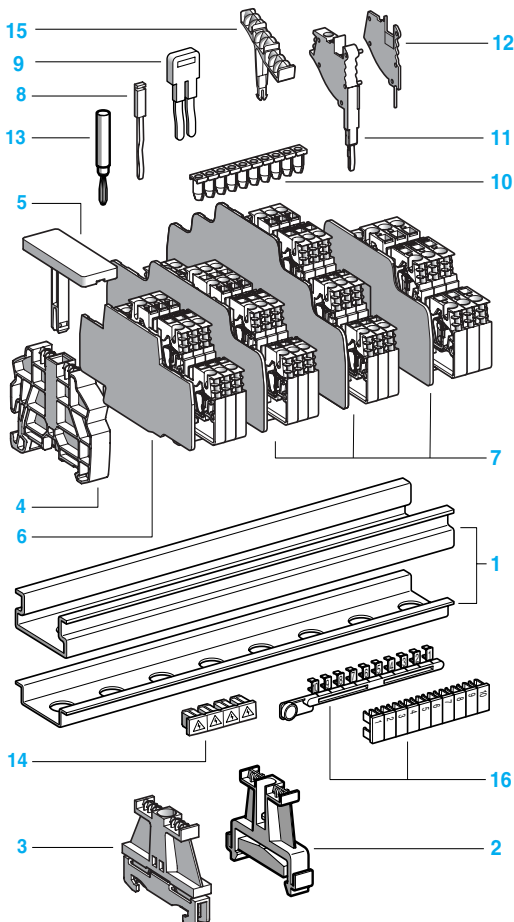
See the tables beginning on page 1/10.

Terminal blocks

	No. points	Sold in lots of	Catalog number	Weight oz (g)
Gray	2/2	100	AB1RRNET235U4	0.40 (11.4)

Accessories

2	Plastic end clamp with screw	Width 0.3 in. (8 mm) on $\frac{2.5}{5}$ or $\frac{5}{10}$	—	100	AB1AB8P35	0.21 (5.9)
3	Metal end clamp with screw	Width 0.3 in. (8 mm) on $\frac{2.5}{5}$ or $\frac{5}{10}$	—	100	AB1AB8M35	0.52 (14.8)
4	Clip-on plastic end clamp	Width 0.3 in. (8 mm) on $\frac{2.5}{5}$ or $\frac{5}{10}$	—	100	AB1AB8R35	0.21 (5.9)
5	Marker tag holder for clip-on plastic end clamp		—	10	AB1SB4	0.11 (3.1)
6	End plate thickness 0.06 in. (1.5 mm)	Gray	—	10	AB1RRNACE244	0.18 (4.6)
7	Partition plate thickness 0.06 in. (1.5 mm)	Gray	—	10	AB1RRNASE244	0.22 (5.5)
8	Vertical jumper	1-pole	—	20	AB1RRAL1	0.03 (0.7)
9	Insulated jumper	2-pole	—	10	AB1RRAL22	0.04 (1.1)
		3-pole	—	10	AB1RRAL23	0.06 (1.7)
		4-pole	—	10	AB1RRAL24	0.08 (2.2)
		5-pole	—	10	AB1RRAL25	0.10 (2.8)
		10-pole	—	20	AB1RRAL210	0.20 (5.6)
10	Wire guide entry strip	0.13–0.2 mm ² White	—	100	AB1RRNGF01	0.03 (0.9)
		0.25–0.5 mm ² Gray	—	100	AB1RRNGF02	0.03 (0.9)
		0.75–1 mm ² Black	—	100	AB1RRNGF03	0.03 (0.9)
11	Modular test connector		—	10	AB1AT3	0.08 (2.4)
12	Modular test connector end plate		—	10	AB1AC3	0.01 (0.4)
13	Test plug	Red	—	10	AB1AT1	0.07 (1.9)
14	Terminal cover		4	10	AB1RRNCS2	0.01 (0.3)
15	Marker tag holder		—	100	AB1SB5	0.01 (0.4)
16	Marking accessories		See pages 5/2 and 5/3.			



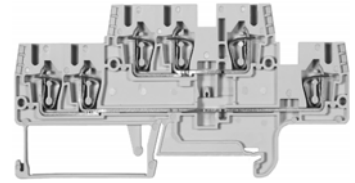
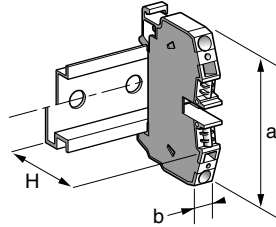
Terminal Blocks, Type AB1

Spring technology
Double deck

Clip-on mounting on 35 mm $\frac{2.5}{1}$ rails

Nominal wire size

2.5 mm²



AB1RRNET235U6

Approximate dimensions, in. (mm)

1	Length (a)	4.23 (107.5)
	Width (b)	0.20 (5)
	Height (H) $\frac{2.5}{1}$ rail	2.20 (55.9)
	with $\frac{1}{1}$ rail	1.91 (48.4)

Wire size, mm²

Stranded without cable end	0.13–2.5
Stranded with cable end	0.5–2.5
Solid	0.13–4

Nominal electrical values

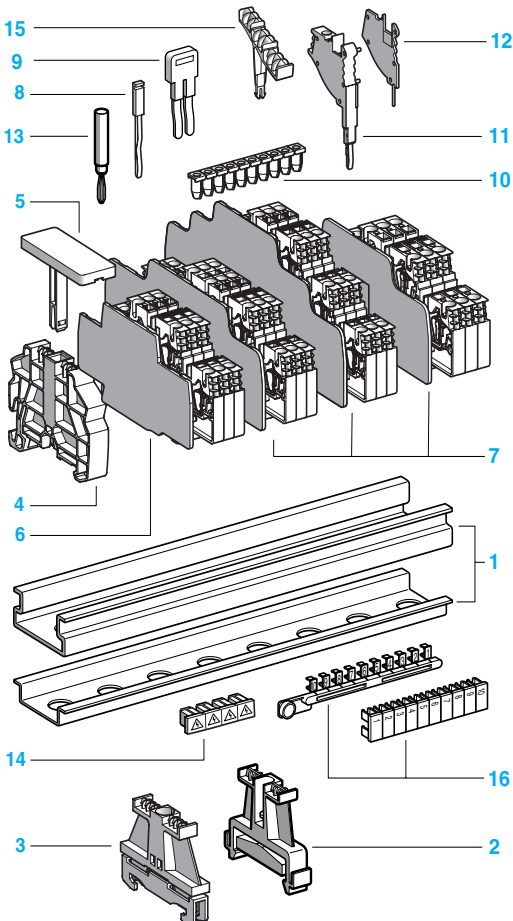
IEC/EN 60947-7-1	500 V / 6 kV / 22 A
UL File E164359 CCN XCFR2	22–12 AWG, 300 V, 20 A
CSA File 702070 Class 6228 01	24–12 AWG, 300 V, 24 A
UTE, category C	—
VDE, group C	500 V / 22 A

Certifications

See the tables beginning on page 1/10.

Terminal blocks

		No. points	Sold in lots of	Catalog number	Weight oz (g)
	Gray	3/3	50	AB1RRNET235U6	0.69 (19.7)
Accessories					
2	Plastic end clamp with screw	—	100	AB1AB8P35	0.21 (5.9)
3	Metal end clamp with screw	—	100	AB1AB8M35	0.52 (14.8)
4	Clip-on plastic end clamp	—	100	AB1AB8R35	0.21 (5.9)
5	Marker tag holder for clip-on plastic end clamp	—	10	AB1SB4	0.11 (3.1)
6	End plate thickness 0.06 in. (1.5 mm)	—	10	AB1RRNACE246	0.20 (5.7)
7	Partition plate thickness 0.06 in. (1.5 mm)	—	10	AB1RRNASE246	0.35 (9.8)
8	Vertical jumper 1-pole	—	20	AB1RRAL1	0.03 (0.7)
9	Insulated jumper 2-pole	—	10	AB1RRAL22	0.04 (1.1)
	3-pole	—	10	AB1RRAL23	0.06 (1.7)
	4-pole	—	10	AB1RRAL24	0.08 (2.2)
	5-pole	—	10	AB1RRAL25	0.10 (2.8)
	10-pole	—	20	AB1RRAL210	0.20 (5.6)
10	Wire guide entry strip 0.13–0.2 mm ²	—	100	AB1RRNGF01	0.03 (0.9)
	0.25–0.5 mm ²	—	100	AB1RRNGF02	0.03 (0.9)
	0.75–1 mm ²	—	100	AB1RRNGF03	0.03 (0.9)
11	Modular test connector	—	10	AB1AT3	0.08 (2.4)
12	Modular test connector end plate	—	10	AB1AC3	0.01 (0.4)
13	Test plug	—	10	AB1AT1	0.07 (1.9)
14	Terminal cover	4	10	AB1RRNCS2	0.01 (0.3)
15	Marker tag holder	—	100	AB1SB5	0.01 (0.4)
16	Marking accessories	See pages 5/2 and 5/3.			



Terminal Blocks, Type AB1

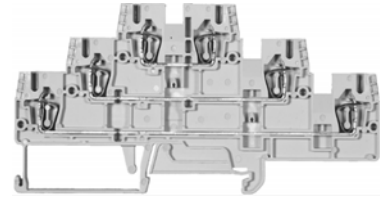
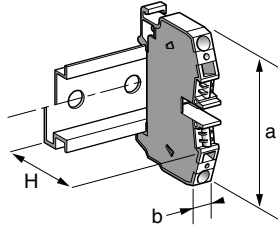
Spring technology

Three Tier

Clip-on mounting on 35 mm $\frac{2.5}{10}$ rails

Nominal wire size

2.5 mm²



AB1RRNET235T6

Approximate dimensions, in. (mm)

1	Length (a)	4.85 (123.1)
	Width (b)	0.20 (5)
	Height (H)	2.60 (66.2)
	with $\frac{2.5}{10}$ rail	2.31 (58.7)

Wire size, mm²

Stranded without cable end	0.13–2.5
Stranded with cable end	0.5–2.5
Solid	0.13–4

Nominal electrical values

IEC/EN 60947-7-1	500 V / 6 kV / 20 A
UL File E164359 CCN XCFR2	22–12 AWG, 300 V, 20 A
CSA File 702070 Class 6228 01	24–12 AWG, 300 V, 24 A
UTE, category C	—
VDE, group C	500 V / 20 A

Certifications

See the tables beginning on page 1/10.

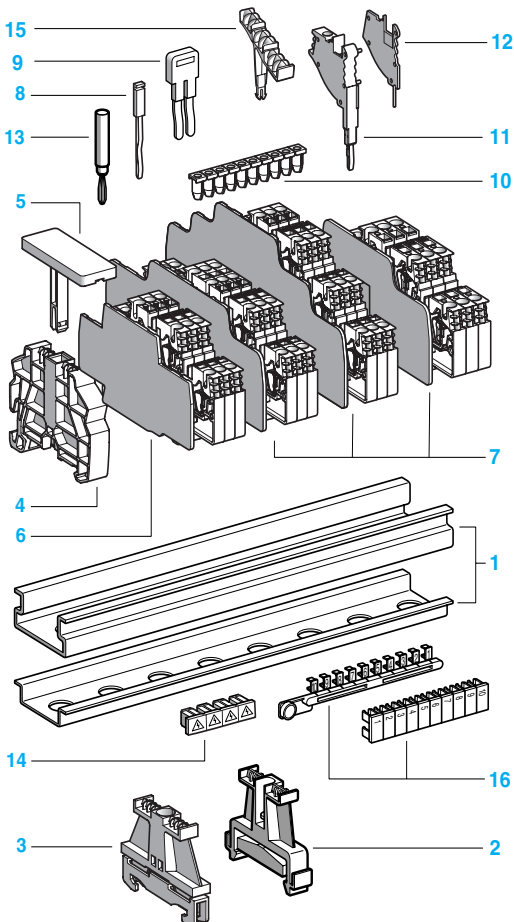
Terminal blocks

Gray

No.	Sold in lots of	Catalog number	Weight oz (g)
2/2/2	50	AB1RRNET235T6	0.49 (14.0)

Accessories

2	Plastic end clamp with screw	Width 0.3 in. (8 mm) on $\frac{2.5}{10}$ or $\frac{1.5}{6}$	—	100	AB1AB8P35	0.21 (5.9)	
3	Metal end clamp with screw	Width 0.3 in. (8 mm) on $\frac{2.5}{10}$ or $\frac{1.5}{6}$	—	100	AB1AB8M35	0.52 (14.8)	
4	Clip-on plastic end clamp	Width 0.3 in. (8 mm) on $\frac{2.5}{10}$ or $\frac{1.5}{6}$	—	100	AB1AB8R35	0.21 (5.9)	
5	Marker tag holder for clip-on plastic end clamp		—	10	AB1SB4	0.11 (3.1)	
6	End plate	thickness 0.06 in. (1.5 mm)	Gray	—	10	AB1RRNACTE246	0.27 (7.6)
7	Partition plate	thickness 0.06 in. (1.5 mm)	Gray	—	10	AB1RRNASTE246	0.30 (8.6)
8	Vertical jumper	1-pole	—	20	AB1RRAL1	0.03 (0.7)	
9	Insulated jumper	2-pole	—	10	AB1RRAL22	0.04 (1.1)	
		3-pole	—	10	AB1RRAL23	0.06 (1.7)	
		4-pole	—	10	AB1RRAL24	0.08 (2.2)	
		5-pole	—	10	AB1RRAL25	0.10 (2.8)	
		10-pole	—	20	AB1RRAL210	0.20 (5.6)	
10	Wire guide entry strip	0.13–0.2 mm ²	White	—	100	AB1RRNGF01	0.03 (0.9)
		0.25–0.5 mm ²	Gray	—	100	AB1RRNGF02	0.03 (0.9)
		0.75–1 mm ²	Black	—	100	AB1RRNGF03	0.03 (0.9)
11	Modular test connector		—	10	AB1AT3	0.08 (2.4)	
12	Modular test connector end plate		—	10	AB1AC3	0.01 (0.4)	
13	Test plug	Red	—	10	AB1AT1	0.07 (1.9)	
14	Terminal cover		4	10	AB1RRNCS2	0.01 (0.3)	
15	Marker tag holder		—	100	AB1SB6	0.01 (0.3)	
16	Marking accessories		See pages 5/2 and 5/3.				



Terminal Blocks, Type AB1

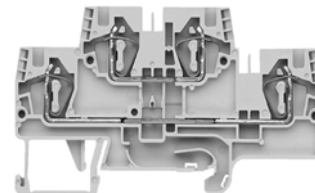
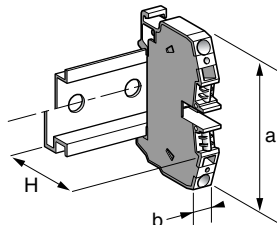
Spring technology

Double deck

Clip-on mounting on 35 mm $\frac{25}{8}$ rails

Nominal wire size

4 mm²



Approximate dimensions, in. (mm)

	Length (a)	3.55 (90.1)
	Width (b)	0.24 (6)
1	Height (H) $\frac{25}{8}$ rail	2.20 (55.95)
	with $\frac{25}{8}$ rail	1.91 (48.45)

Wire size, mm²

	Stranded without cable end	0.13–4
	Stranded with cable end	0.5–4
	Solid	0.13–6

Nominal electrical values

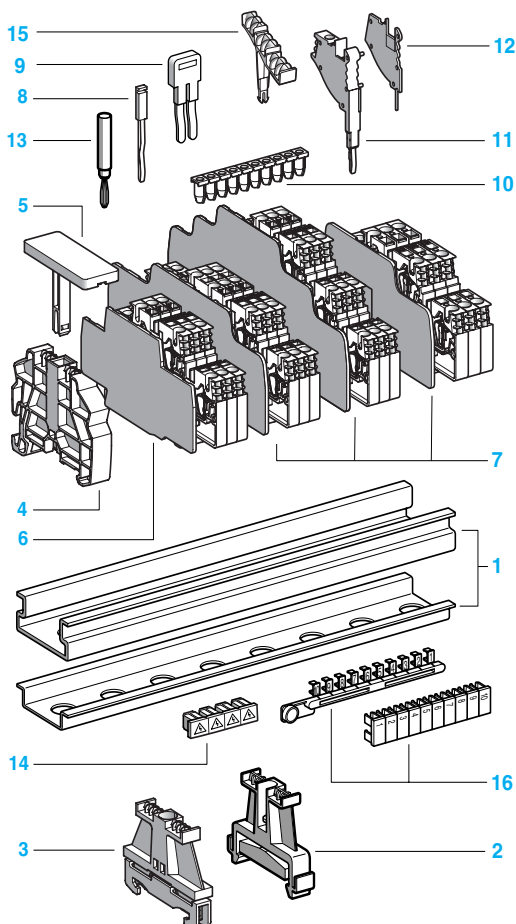
	IEC/EN 60947-7-1	500 V / 6 kV / 32 A
	UL File E164359 CCN XCFR2	24–10 AWG, 300 V, 30 A
	CSA File 702070 Class 6228 01	24–10 AWG, 300 V, 32 A
	UTE, category C	—
	VDE, group C	500 V / 32 A

Certifications

See the tables beginning on page 1/10.

Terminal blocks

		No. points	Sold in lots of	Catalog number	Weight oz (g)
	Gray	2/2	100	AB1RRNET435U4	0.57 (16.1)
Accessories					
2	Plastic end clamp with screw	—	100	AB1AB8P35	0.21 (5.9)
3	Metal end clamp with screw	—	100	AB1AB8M35	0.52 (14.8)
4	Clip-on plastic end clamp	—	100	AB1AB8R35	0.21 (5.9)
5	Marker tag holder for clip-on plastic end clamp	—	10	AB1SB4	0.11 (3.1)
6	End plate thickness 0.06 in. (1.5 mm)	—	10	AB1RRNACE444	0.18 (5.2)
7	Partition plate thickness 0.06 in. (1.5 mm)	—	10	AB1RRNASE444	0.22 (6.2)
8	Vertical jumper 1-pole	—	20	AB1RRAL1	0.03 (0.7)
9	Insulated jumper 2-pole	—	10	AB1RRAL42	0.06 (1.7)
	3-pole	—	10	AB1RRAL43	0.09 (2.5)
	4-pole	—	10	AB1RRAL44	0.12 (3.3)
	5-pole	—	10	AB1RRAL45	0.14 (4.1)
	10-pole	—	20	AB1RRAL410	0.29 (8.3)
10	Wire guide entry strip 0.13–0.2 mm ²	—	100	AB1RRNGF11	0.03 (0.8)
	0.25–0.5 mm ²	—	100	AB1RRNGF22	0.03 (0.8)
	0.75–1 mm ²	—	100	AB1RRNGF33	0.03 (0.8)
11	Modular test connector	—	10	AB1AT3	0.08 (2.4)
12	Modular test connector end plate	—	10	AB1AC3	0.01 (0.4)
13	Test plug	—	10	AB1AT1	0.07 (1.9)
14	Terminal cover	4	100	AB1RRCS4	0.01 (0.4)
15	Marker tag holder	—	100	AB1SB5	0.01 (0.4)
16	Marking accessories	See pages 5/2 and 5/3.			



Terminal Blocks, Type AB1

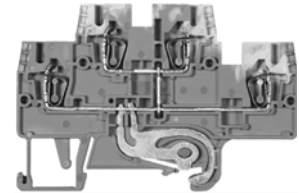
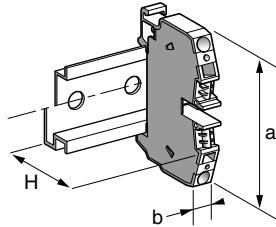
Spring technology

Double deck—grounding block

Clip-on mounting on 35 mm $\frac{1}{2}$ rails

Nominal wire size

2.5 mm²



AB1RRNETP235U4

Approximate dimensions, in. (mm)

1	Length (a)	3.24 (82.2)
	Width (b)	0.20 (5)
	Height (H) $\frac{1}{2}$ rail with $\frac{1}{2}$ rail	2.20 (55.9) 1.91 (48.4)

Wire size, mm²

Stranded without cable end	0.13–2.5
Stranded with cable end	0.5–2.5
Solid	0.13–4

Nominal electrical values

IEC/EN 60947-7-1	500 V / 6 kV / 24 A
UL File E164359 CCN XCFR2	22–12 AWG, 600 V, 20 A
CSA File 702070 Class 6228 01	24–12 AWG, 600 V, 24 A
UTE, category C	—
VDE, group C	500 V / 24 A

Certifications

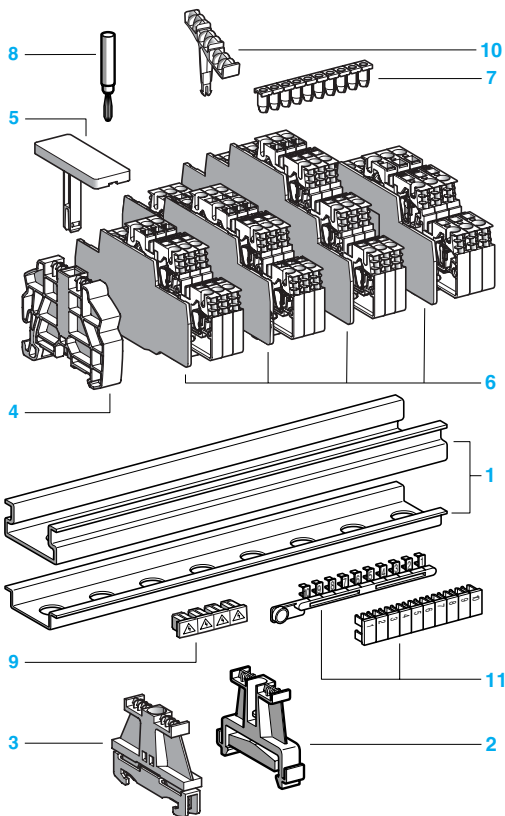
See the tables beginning on page 1/10.

Terminal blocks

	No. points	Sold in lots of	Catalog number	Weight oz (g)
Gray	4	100	AB1RRNETP235U4	0.49 (14.0)

Accessories

2	Plastic end clamp with screw	Width 0.3 in. (8 mm) on $\frac{1}{2}$ or $\frac{1}{4}$	—	100	AB1AB8P35	0.21 (5.9)
3	Metal end clamp with screw	Width 0.3 in. (8 mm) on $\frac{1}{2}$ or $\frac{1}{4}$	—	100	AB1AB8M35	0.52 (14.8)
4	Clip-on plastic end clamp	Width 0.3 in. (8 mm) on $\frac{1}{2}$ or $\frac{1}{4}$	—	100	AB1AB8R35	0.21 (5.9)
5	Marker tag holder for clip-on plastic end clamp		—	10	AB1SB4	0.11 (3.1)
6	End plate	Gray thickness 0.06 in. (1.5 mm)	—	10	AB1RRNACETP244	0.16 (4.6)
7	Wire guide entry strip	0.13–0.2 mm ² White 0.25–0.5 mm ² Gray 0.75–1 mm ² Black	—	100	AB1RRNGF01	0.03 (0.9)
			—	100	AB1RRNGF02	0.03 (0.9)
			—	100	AB1RRNGF03	0.03 (0.9)
8	Test plug	Red	—	10	AB1AT1	0.07 (1.9)
9	Terminal cover		4	10	AB1RRNCS2	0.01 (0.3)
10	Marker tag holder		—	100	AB1SB5	0.01 (0.4)
11	Marking accessories		See pages 5/2 and 5/3.			



Terminal Blocks, Type AB1

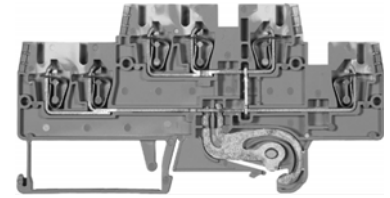
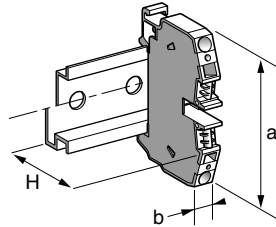
Spring technology

Double deck—grounding block

Clip-on mounting on 35 mm $\frac{25}{8}$ rails

Nominal wire size

2.5 mm²



AB1RRNETP235U6

Approximate dimensions, in. (mm)

1	Length (a)	4.23 (107.5)
	Width (b)	0.20 (5)
	Height (H) $\frac{25}{8}$ rail	2.20 (55.9)
	with $\frac{35}{8}$ rail	1.91 (48.4)

Wire size, mm²

Stranded without cable end	0.13–2.5
Stranded with cable end	0.5–2.5
Solid	0.13–4

Nominal electrical values

IEC/EN 60947-7-1	500 V / 6 kV / 22 A
UL File E164359 CCN XCFR2	22–12 AWG, 600 V, 20 A
CSA File 702070 Class 6228 01	24–12 AWG, 600 V, 24 A
UTE, category C	—
VDE, group C	500 V / 22 A

Certifications

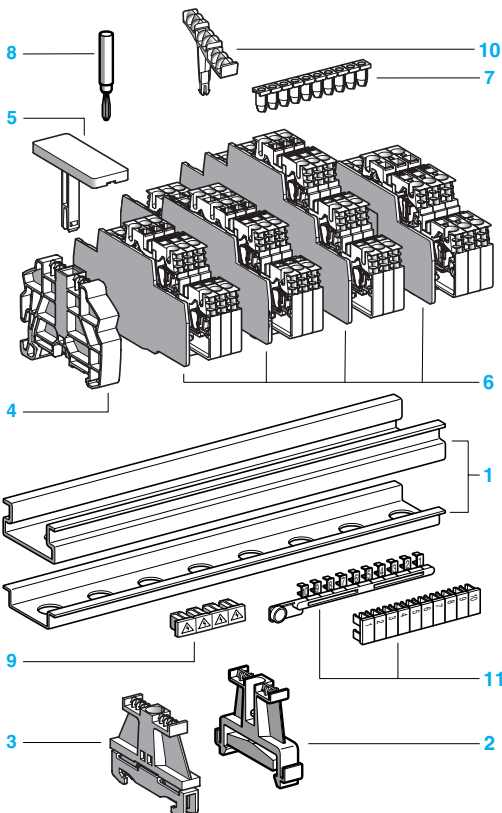
See the tables beginning on page 1/10.

Terminal blocks

	No. points	Sold in lots of	Catalog number	Weight oz (g)
Gray	6	50	AB1RRNETP235U6	0.69 (19.7)

Accessories

2	Plastic end clamp with screw	Width 0.3 in. (8 mm) on $\frac{25}{8}$ or $\frac{35}{8}$	—	100	AB1AB8P35	0.21 (5.9)	
3	Metal end clamp with screw	Width 0.3 in. (8 mm) on $\frac{25}{8}$ or $\frac{35}{8}$	—	100	AB1AB8M35	0.52 (14.8)	
4	Clip-on plastic end clamp	Width 0.3 in. (8 mm) on $\frac{25}{8}$ or $\frac{35}{8}$	—	100	AB1AB8R35	0.21 (5.9)	
5	Marker tag holder for clip-on plastic end clamp		—	10	AB1SB4	0.11 (3.1)	
6	End plate	thickness 0.06 in. (1.5 mm)	Gray	—	10	AB1RRNACETP246	0.20 (5.7)
7	Wire guide entry strip	0.13–0.2 mm ²	White	—	100	AB1RRNGF01	0.03 (0.9)
		0.25–0.5 mm ²	Gray	—	100	AB1RRNGF02	0.03 (0.9)
		0.75–1 mm ²	Black	—	100	AB1RRNGF03	0.03 (0.9)
8	Test plug		Red	—	10	AB1AT1	0.07 (1.9)
9	Terminal cover			4	10	AB1RRNCS2	0.01 (0.3)
10	Marker tag holder			—	100	AB1SB5	0.01 (0.4)
11	Marking accessories			See pages 5/2 and 5/3.			



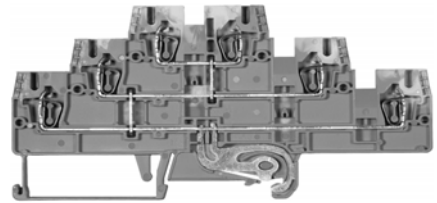
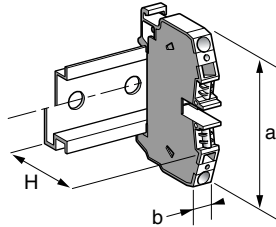
Terminal Blocks, Type AB1

Spring technology
Three tier—grounding block

Clip-on mounting on 35 mm $\frac{1}{2}$ rails

Nominal wire size

2.5 mm²



AB1RRNETP235T6

Approximate dimensions, in. (mm)

1	Length (a)	4.85 (123.1)
	Width (b)	0.20 (5)
	Height (H) $\frac{1}{2}$ rail with $\frac{1}{2}$ rail	2.61 (66.2) 2.31 (58.7)

Wire size, mm²

Stranded without cable end	0.13–2.5
Stranded with cable end	0.5–2.5
Solid	0.13–4

Nominal electrical values

IEC/EN 60947-7-1	500 V / 6 kV / 20 A
UL File E164359 CCN XCFR2	22–12 AWG, 600 V, 20 A
CSA File 702070 Class 6228 01	24–12 AWG, 600 V, 24 A
UTE, category C	—
VDE, group C	500 V / 20 A

Certifications

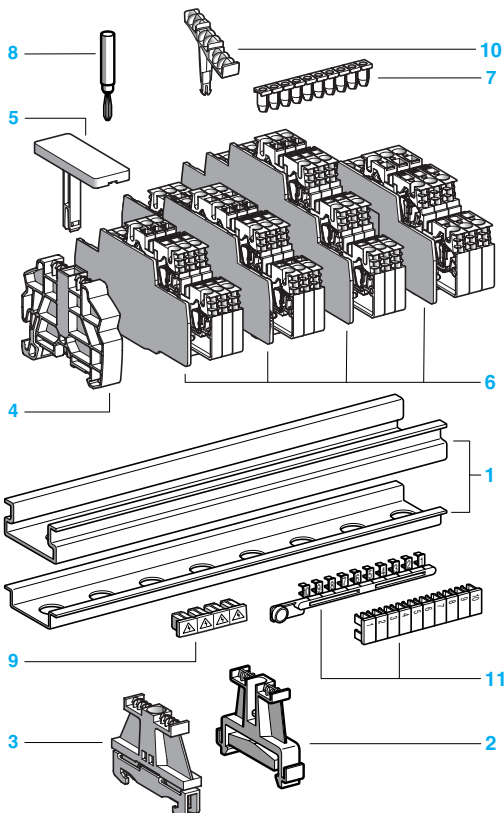
See the tables beginning on page 1/10.

Terminal blocks

	No. points	Sold in lots of	Catalog number	Weight oz (g)
Gray	6	50	AB1RRNETP235T6	0.78 (22.2)

Accessories

2	Plastic end clamp with screw	Width 0.3 in. (8 mm) on $\frac{1}{2}$ or $\frac{1}{4}$	—	100	AB1AB8P35	0.21 (5.9)	
3	Metal end clamp with screw	Width 0.3 in. (8 mm) on $\frac{1}{2}$ or $\frac{1}{4}$	—	100	AB1AB8M35	0.52 (14.8)	
4	Clip-on plastic end clamp	Width 0.3 in. (8 mm) on $\frac{1}{2}$ or $\frac{1}{4}$	—	100	AB1AB8R35	0.21 (5.9)	
5	Marker tag holder for clip-on plastic end clamp		—	10	AB1SB4	0.11 (3.1)	
6	End plate	thickness 0.06 in. (1.5 mm)	Gray	—	10	AB1RRNACTETP246	0.27 (7.6)
7	Wire guide entry strip	0.13–0.2 mm ²	White	—	100	AB1RRNGF01	0.03 (0.9)
		0.25–0.5 mm ²	Gray	—	100	AB1RRNGF02	0.03 (0.9)
		0.75–1 mm ²	Black	—	100	AB1RRNGF03	0.03 (0.9)
8	Test plug		Red	—	10	AB1AT1	0.07 (1.9)
9	Terminal cover			4	10	AB1RRNCS2	0.01 (0.3)
10	Marker tag holder			—	100	AB1SB6	0.01 (0.3)
11	Marking accessories			See pages 5/2 and 5/3.			



Terminal Blocks, Type AB1

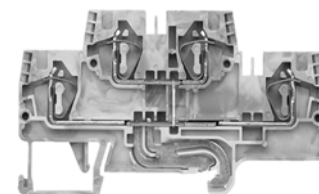
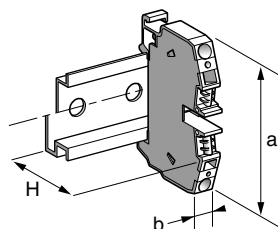
Spring technology

Double deck

Clip-on mounting on 35 mm $\underline{2.5}$ $\underline{1.5}$ rails

Nominal wire size

4 mm²



AB1RRNETP435U4

Approximate dimensions, in. (mm)

1	Length (a)	3.55 (90.1)
	Width (b)	0.24 (6)
	Height (H) $\underline{2.5}$ rail with $\underline{1.5}$ rail	2.20 (55.95) 1.91 (48.45)

Wire size, mm²

Stranded without cable end	0.13–4
Stranded with cable end	0.5–4
Solid	0.13–6

Nominal electrical values

IEC/EN 60947-7-1	500 V / 6 kV / 32 A
UL File E164359 CCN XCFR2	24–10 AWG, 600 V, 30 A
CSA File 702070 Class 6228 01	24–10 AWG, 600 V, 32 A
UTE, category C	—
VDE, group C	500 V / 32 A

Certifications

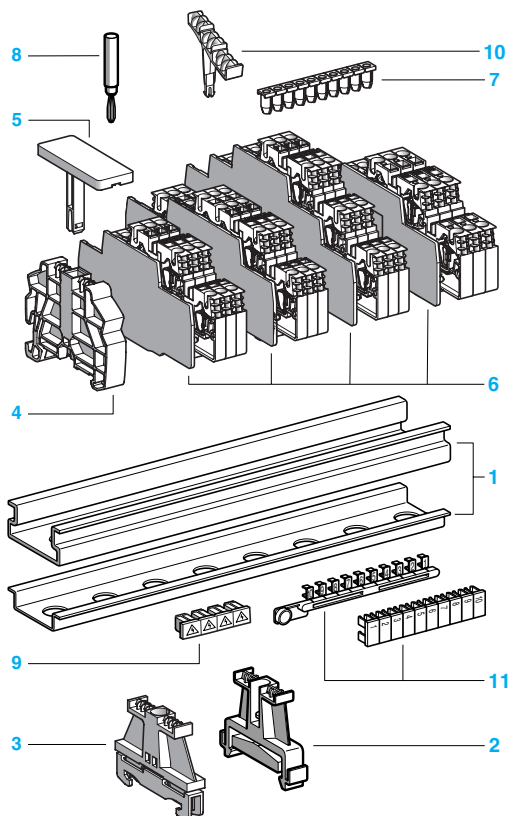
See the tables beginning on page 1/10.

Terminal blocks

No. points	Sold in lots of	Catalog number	Weight oz (g)
4	100	AB1RRNETP435U4	0.66 (18.7)

Accessories

No.	Description	Color	No. points	Sold in lots of	Catalog number	Weight oz (g)	
2	Plastic end clamp with screw	Gray	—	100	AB1AB8P35	0.21 (5.9)	
3	Metal end clamp with screw	—	—	100	AB1AB8M35	0.52 (14.8)	
4	Clip-on plastic end clamp	—	—	100	AB1AB8R35	0.21 (5.9)	
5	Marker tag holder for clip-on plastic end clamp	—	—	10	AB1SB4	0.11 (3.1)	
6	End plate thickness 0.06 in. (1.5 mm)	Gray	—	10	AB1RRNACETP444	0.18 (5.2)	
7	Wire guide entry strip	0.13–0.2 mm ²	White	—	100	AB1RRNGF11	0.03 (0.8)
		0.25–0.5 mm ²	Gray	—	100	AB1RRNGF22	0.03 (0.8)
		0.75–1 mm ²	Black	—	100	AB1RRNGF33	0.03 (0.8)
8	Test plug	Red	—	10	AB1AT1	0.07 (1.9)	
9	Terminal cover	—	4	100	AB1RRCS4	0.01 (0.4)	
10	Marker tag holder	—	—	100	AB1SB5	0.01 (0.4)	
11	Marking accessories	—	—	—	—	See pages 5/2 and 5/3.	



Terminal Blocks, Type AB1

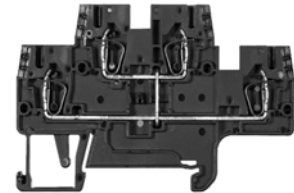
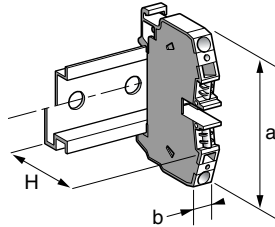
Spring technology

Double deck, with vertical connection

Clip-on mounting on 35 mm $\frac{2.5}{\text{rail}}$ rails

Nominal wire size

2.5 mm²



AB1RRNETV235U4

Approximate dimensions, in. (mm)

1	Length (a)	3.24 (82.2)
	Width (b)	0.20 (5)
	Height (H) $\frac{2.5}{\text{rail}}$	2.20 (55.9)
	$\frac{\text{rail}}$	1.91 (48.4)

Wire size, mm²

Stranded without cable end	0.13–2.5
Stranded with cable end	0.5–2.5
Solid	0.13–4

Nominal electrical values

IEC/EN 60947-7-1	500 V / 6 kV / 24 A
UL File E164359 CCN XCFR2	22–12 AWG, 600 V, 20 A
CSA File 702070 Class 6228 01	22–12 AWG, 600 V, 24 A
UTE, category C	—
VDE, group C	500 V / 24 A

Certifications

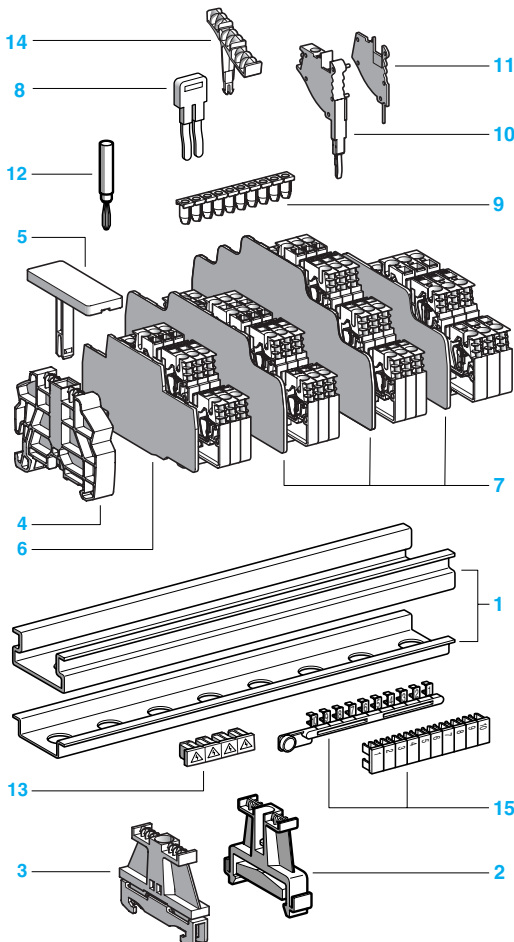
See the tables beginning on page 1/10.

Terminal blocks

No. points	Sold in lots of	Catalog number	Weight oz (g)
4	100	AB1RRNETV235U4	0.41 (11.7)

Accessories

2	Plastic end clamp with screw	Width 0.3 in. (8 mm) on $\frac{2.5}{\text{or}}$ $\frac{\text{rail}}$	—	100	AB1AB8P35	0.21 (5.9)
3	Metal end clamp with screw	Width 0.3 in. (8 mm) on $\frac{2.5}{\text{or}}$ $\frac{\text{rail}}$	—	100	AB1AB8M35	0.52 (14.8)
4	Clip-on plastic end clamp	Width 0.3 in. (8 mm) on $\frac{2.5}{\text{or}}$ $\frac{\text{rail}}$	—	100	AB1AB8R35	0.21 (5.9)
5	Marker tag holder for clip-on plastic end clamp		—	10	AB1SB4	0.11 (3.1)
6	End plate	Gray	—	10	AB1RRNACE244	0.16 (4.6)
7	Partition plate	Gray	—	10	AB1RRNASE244	0.19 (5.5)
8	Insulated jumper	2-pole	—	10	AB1RRAL22	0.04 (1.1)
		3-pole	—	10	AB1RRAL23	0.06 (1.7)
		4-pole	—	10	AB1RRAL24	0.08 (2.2)
		5-pole	—	10	AB1RRAL25	0.10 (2.8)
		10-pole	—	20	AB1RRAL210	0.20 (5.6)
9	Wire guide entry strip	0.13–0.2 mm ² White	—	100	AB1RRNGF01	0.03 (0.9)
		0.25–0.5 mm ² Gray	—	100	AB1RRNGF02	0.03 (0.9)
		0.75–1 mm ² Black	—	100	AB1RRNGF03	0.03 (0.9)
10	Modular test connector		—	10	AB1AT3	0.08 (2.4)
11	Modular test connector end plate		—	10	AB1AC3	0.01 (0.4)
12	Test plug	Red	—	10	AB1AT1	0.07 (1.9)
13	Terminal cover		4	10	AB1RRNCS2	0.01 (0.3)
14	Marker tag holder		—	100	AB1SB5	0.01 (0.4)
15	Marking accessories		See pages 5/2 and 5/3.			



Terminal Blocks, Type AB1

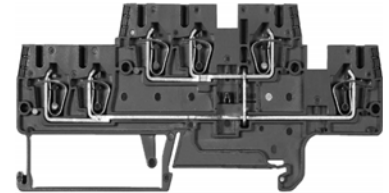
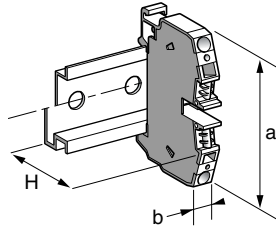
Spring technology

Double deck, with vertical connection

Clip-on mounting on 35 mm $\frac{2.5}{1}$ rails

Nominal wire size

2.5 mm²



AB1RRNETV235U6

Approximate dimensions, in. (mm)

1	Length (a)	4.23 (107.5)
	Width (b)	0.20 (5)
	Height (H) $\frac{2.5}{1}$ rail	2.20 (55.9)
	with $\frac{1}{1}$ rail	1.91 (48.4)

Wire size, mm²

1	Stranded without cable end	0.13–2.5
	Stranded with cable end	0.5–2.5
	Solid	0.13–4

Nominal electrical values

1	IEC/EN 60947-7-1	500 V / 6 kV / 22 A
	UL File E164359 CCN XCFR2	22–12 AWG, 600 V, 20 A
1	CSA File 702070 Class 6228 01	22–12 AWG, 600 V, 24 A
	UTE, category C	—
1	VDE, group C	500 V / 22 A

Certifications

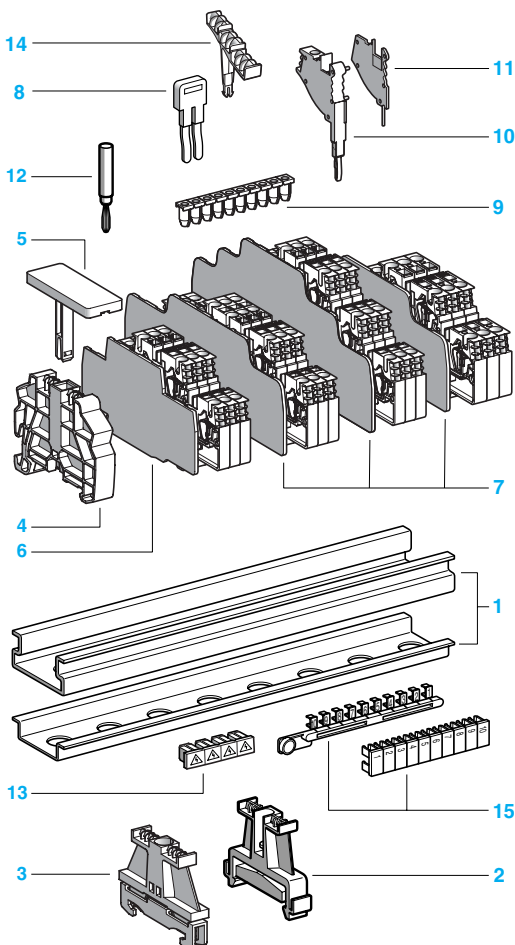
See the tables beginning on page 1/10.

Terminal blocks

	No. points	Sold in lots of	Catalog number	Weight oz (g)
Gray	6	50	AB1RRNETV235U6	0.61 (17.2)

Accessories

2	Plastic end clamp with screw	Width 0.3 in. (8 mm) on $\frac{2.5}{1}$ or $\frac{1}{1}$	—	100	AB1AB8P35	0.21 (5.9)
3	Metal end clamp with screw	Width 0.3 in. (8 mm) on $\frac{2.5}{1}$ or $\frac{1}{1}$	—	100	AB1AB8M35	0.52 (14.8)
4	Clip-on plastic end clamp	Width 0.3 in. (8 mm) on $\frac{2.5}{1}$ or $\frac{1}{1}$	—	100	AB1AB8R35	0.21 (5.9)
5	Marker tag holder for clip-on plastic end clamp		—	10	AB1SB4	0.11 (3.1)
6	End plate	Gray thickness 0.06 in. (1.5 mm)	—	10	AB1RRNACE246	0.20 (5.7)
7	Partition plate	Gray	—	10	AB1RRNASE246	0.35 (9.8)
8	Insulated jumper	2-pole	—	10	AB1RRAL22	0.04 (1.1)
		3-pole	—	10	AB1RRAL23	0.06 (1.7)
		4-pole	—	10	AB1RRAL24	0.08 (2.2)
		5-pole	—	10	AB1RRAL25	0.10 (2.8)
		10-pole	—	20	AB1RRAL210	0.20 (5.6)
9	Wire guide entry strip	0.13–0.2 mm ² White	—	100	AB1RRNGF01	0.03 (0.9)
		0.25–0.5 mm ² Gray	—	100	AB1RRNGF02	0.03 (0.9)
		0.75–1 mm ² Black	—	100	AB1RRNGF03	0.03 (0.9)
10	Modular test connector		—	10	AB1AT3	0.08 (2.4)
11	Modular test connector end plate		—	10	AB1AC3	0.01 (0.4)
12	Test plug	Red	—	10	AB1AT1	0.07 (1.9)
13	Terminal cover		4	10	AB1RRNCS2	0.01 (0.3)
14	Marker tag holder		—	100	AB1SB5	0.01 (0.4)
15	Marking accessories		See pages 5/2 and 5/3.			



Terminal Blocks, Type AB1

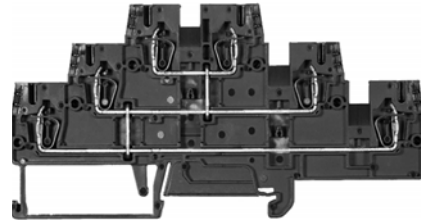
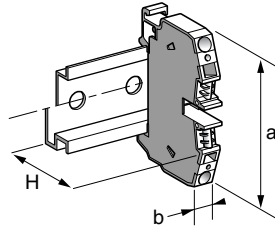
Spring technology

Double deck, with vertical connection

Clip-on mounting on 35 mm $\frac{2.5}{1}$ rails

Nominal wire size

2.5 mm²



AB1RRNETV235T6

Approximate dimensions, in. (mm)

1	Length (a)	4.85 (123.1)
	Width (b)	0.20 (5)
	Height (H) $\frac{2.5}{1}$ rail	2.61 (66.2)
	with $\frac{1}{1}$ rail	2.31 (58.7)

Wire size, mm²

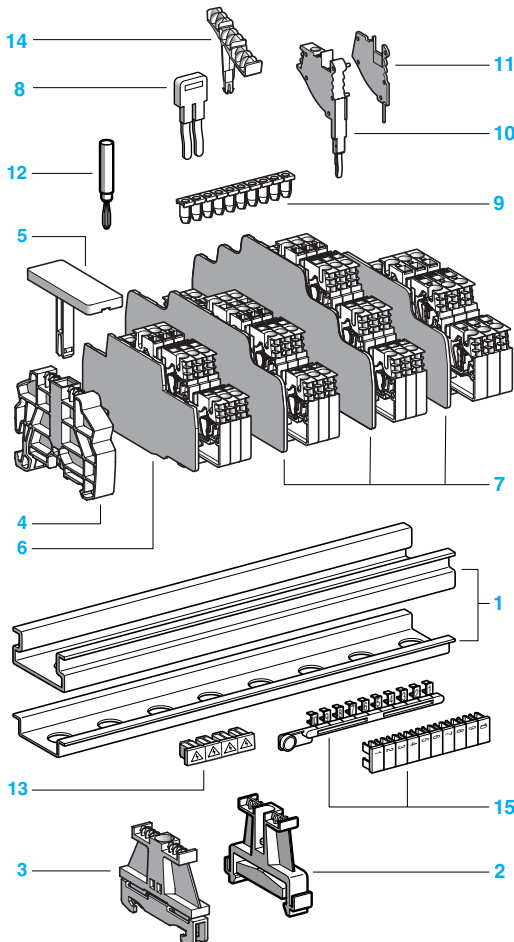
Stranded without cable end	0.13–2.5
Stranded with cable end	0.5–2.5
Solid	0.13–4

Nominal electrical values

IEC/EN 60947-7-1	500 V / 6 kV / 20 A
UL File E164359 CCN XCFR2	22–12 AWG, 600 V, 20 A
CSA File 702070 Class 6228 01	22–12 AWG, 600 V, 24 A
UTE, category C	—
VDE, group C	500 V / 20 A

Certifications

See the tables beginning on page 1/10.



Terminal blocks

	No. points	Sold in lots of	Catalog number	Weight oz (g)
Gray	6	50	AB1RRNETV235T6	0.72 (20.3)

Accessories

2	Plastic end clamp with screw	Width 0.3 in. (8 mm) on $\frac{2.5}{1}$ or $\frac{1}{1}$	—	100	AB1AB8P35	0.21 (5.9)	
3	Metal end clamp with screw	Width 0.3 in. (8 mm) on $\frac{2.5}{1}$ or $\frac{1}{1}$	—	100	AB1AB8M35	0.52 (14.8)	
4	Clip-on plastic end clamp	Width 0.3 in. (8 mm) on $\frac{2.5}{1}$ or $\frac{1}{1}$	—	100	AB1AB8R35	0.21 (5.9)	
5	Marker tag holder for clip-on plastic end clamp		—	10	AB1SB4	0.11 (3.1)	
6	End plate	thickness 0.06 in. (1.5 mm)	Gray	—	10	AB1RRNACTE246	0.27 (7.6)
7	Partition plate		Gray	—	10	AB1RRNASTE246	0.30 (8.6)
8	Insulated jumper	2-pole		—	10	AB1RRAL22	0.04 (1.1)
		3-pole		—	10	AB1RRAL23	0.06 (1.7)
		4-pole		—	10	AB1RRAL24	0.08 (2.2)
		5-pole		—	10	AB1RRAL25	0.10 (2.8)
		10-pole		—	20	AB1RRAL210	0.20 (5.6)
9	Wire guide entry strip	0.13–0.2 mm ²	White	—	100	AB1RRNGF01	0.03 (0.9)
		0.25–0.5 mm ²	Gray	—	100	AB1RRNGF02	0.03 (0.9)
		0.75–1 mm ²	Black	—	100	AB1RRNGF03	0.03 (0.9)
10	Modular test connector			—	10	AB1AT3	0.08 (2.4)
11	Modular test connector end plate			—	10	AB1AC3	0.01 (0.4)
	Test plug		Red	—	10	AB1AT1	0.07 (1.9)
13	Terminal cover			4	100	AB1RRNCS2	0.01 (0.3)
14	Marker tag holder			—	100	AB1SB6	0.01 (0.3)
15	Marking accessories			See pages 5/2 and 5/3.			

Terminal Blocks, Type AB1

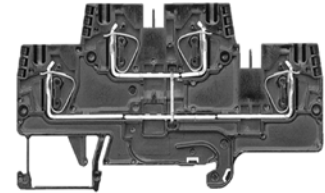
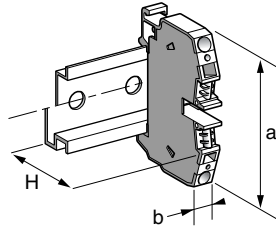
Spring technology

Double deck, with vertical connection

Clip-on mounting on 35 mm ± 0.5 rails

Nominal wire size

4 mm²



AB1RRNETV435U4

Approximate dimensions, in. (mm)

1	Length (a)	3.55 (90.1)
	Width (b)	0.24 (6)
	Height (H) ± 0.5 rail	2.20 (55.95)
	with ± 0.5 rail	1.91 (48.45)

Wire size, mm²

Stranded without cable end	0.13–4
Stranded with cable end	0.5–4
Solid	0.13–6

Nominal electrical values

IEC/EN 60947-7-1	500 V / 6 kV / 32 A
UL File E164359 CCN XCFR2	24–10 AWG, 600 V, 30 A
CSA File 702070 Class 6228 01	24–10 AWG, 300 V, 32 A
UTE, category C	—
VDE, group C	500 V / 32 A

Certifications

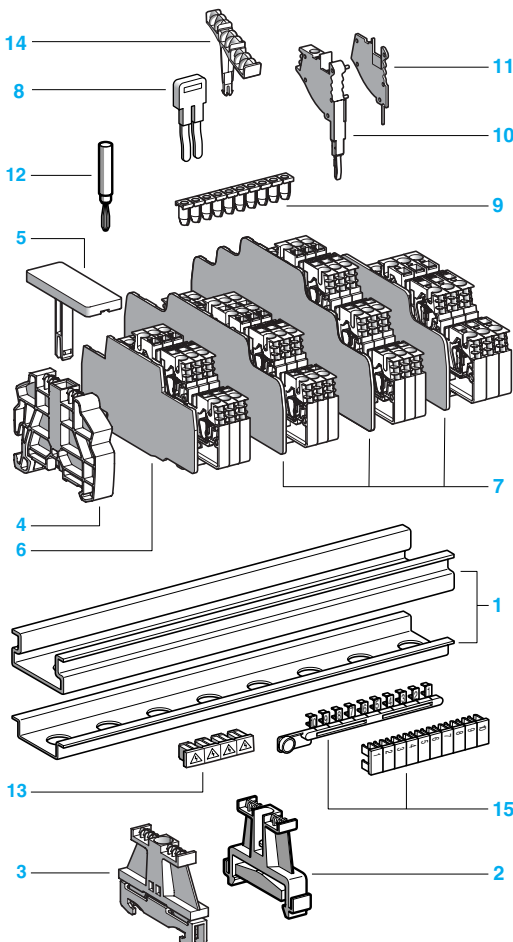
See the tables beginning on page 1/10.

Terminal blocks

	No.	Sold in lots of	Catalog number	Weight oz (g)
Gray	4	100	AB1RRNETV435U4	0.59 (16.6)

Accessories




2	Plastic end clamp with screw	Width 0.3 in. (8 mm) on ± 0.5 or ± 0.5	—	100	AB1AB8P35	0.21 (5.9)	
3	Metal end clamp with screw	Width 0.3 in. (8 mm) on ± 0.5 or ± 0.5	—	100	AB1AB8M35	0.52 (14.8)	
4	Clip-on plastic end clamp	Width 0.3 in. (8 mm) on ± 0.5 or ± 0.5	—	100	AB1AB8R35	0.21 (5.9)	
5	Marker tag holder for clip-on plastic end clamp		—	10	AB1SB4	0.11 (3.1)	
6	End plate	thickness 0.06 in. (1.5 mm)	Gray	—	10	AB1RRNACE444	0.18 (5.2)
7	Partition plate		Gray	—	10	AB1RRNASE444	0.22 (6.2)
8	Insulated jumper	2-pole		—	10	AB1RRAL42	0.06 (1.7)
		3-pole		—	10	AB1RRAL43	0.09 (2.5)
		4-pole		—	10	AB1RRAL44	0.12 (3.3)
		5-pole		—	10	AB1RRAL45	0.14 (4.1)
		10-pole		—	20	AB1RRAL410	0.29 (8.3)
9	Wire guide entry strip	0.13–0.2 mm ²	White	—	100	AB1RRNGF11	0.03 (0.8)
		0.25–0.5 mm ²	Gray	—	100	AB1RRNGF22	0.03 (0.8)
		0.75–1 mm ²	Black	—	100	AB1RRNGF33	0.03 (0.8)
10	Modular test connector			—	10	AB1AT3	0.08 (2.4)
11	Modular test connector end plate			—	10	AB1AC3	0.01 (0.4)
12	Test plug		Red	—	10	AB1AT1	0.07 (1.9)
13	Terminal cover			4	100	AB1RRCS4	0.01 (0.4)
14	Marker tag holder			—	100	AB1SB5	0.01 (0.4)
15	Marking accessories			See pages 5/2 and 5/3.			



3 - Terminal Blocks, Type AB1 Screw Clamp Technology

	<i>Page</i>
<i>Selection guide</i>	<i>3/2</i>
Passthrough type terminal blocks	<i>3/4</i>
Grounding type terminal blocks	<i>3/12</i>
Disconnect type terminal blocks	<i>3/18</i>
Component type terminal blocks	<i>3/19</i>
Fuse blocks	<i>3/20</i>
Screw/slip-on type terminal blocks	<i>3/23</i>
Double deck terminal blocks	<i>3/24</i>
Terminal blocks for proximity sensors	<i>3/27</i>
Multifunction terminal blocks	<i>3/32</i>
Terminal blocks for neutral conductors	<i>3/36</i>
Lug-lug type terminal blocks	<i>3/39</i>
Lug-clamp type terminal blocks	<i>3/42</i>
Miniature terminal blocks	<i>3/45</i>

Applications (connection)		Passthrough				Grounding			Disconnect		
									Blade type	Fused	Removable carrier
Nominal wire size	AWG (mm ²)	12 (2.5)	10 (4)	8 (6)	6-350 kcmil (10-150)	12 (2.5)	10 (4)	8-2 (6-35)	10 (4)	10 (4)	10 (4)
Number of poles	1 - 1 x 1	•	•	•	•	•	•	•	•	•	•
	2 - 1 x 1	—	—	—	—	—	—	—	—	—	—
	3 - 1 x 1	—	—	—	—	—	—	—	—	—	—
	5 - 1 x 1	—	—	—	—	—	—	—	—	—	—
	10 - 1 x 1	—	—	—	—	—	—	—	—	—	—
	1 - 1 x 2	—	—	—	—	—	—	—	—	—	—
	1 - 2 x 2	—	—	—	—	—	—	—	—	—	—
	With grounding	—	—	—	—	—	—	—	—	—	—
Clip-on, mounting on:	35 mm	•	•	•	•	•	•	•	•	•	•
	35 mm	•	•	•	•	•	•	•	•	•	•
	35 mm	•	•	•	•	•	•	•	•	•	•
	35 mm	—	—	—	—	—	—	—	—	—	—
	15 mm	•	•	—	—	—	•	—	—	—	—
Display		—	—	—	—	—	—	—	•	•	
Colors	Gray	•	•	•	•	—	—	—	•	•	•
	Blue	•	•	•	•	—	—	—	•	—	—
	Green/yellow	—	—	—	—	•	•	•	—	—	—
	Orange	•	•	•	—	—	—	—	—	—	—
	Red	—	•	—	—	—	—	—	—	—	—
	Green	—	•	—	—	—	—	—	—	—	—
	White	—	•	—	—	—	—	—	—	—	—
	Black	—	•	—	—	—	—	—	—	—	—
Catalog numbers		AB1VV				AB1TP			AB1SC	AB1FUSE	AB1SF
Marking accessories		See pages 5/2 and 5/3									

Applications (connection)		Fixed component		Double deck		For proximity sensors	Multi-function	For neutral conductors	Lug-connector	Screw-clip	
		For diode	For fuse	Multi-pole	Double deck						
											
Nominal wire size	AWG (mm ²)	12 (2.5)	6 (10)	10 (4)	10 (4)	12 (2.5)	10 (4)	10–4 (4–16)	350–500 kcmil (95/185/240)	350–500 kcmil (95/150/240)	10 (4)
Number of poles	1 - 1 x 1	—	•	—	—	•	—	•	•	•	•
	2 - 1 x 1	•	—	•	•	—	•	—	—	—	—
	3 - 1 x 1	—	—	—	—	•	—	—	—	—	—
	5 - 1 x 1	—	—	—	—	—	—	—	—	—	—
	10 - 1 x 1	—	—	—	—	—	—	—	—	—	—
	1 - 1 x 2	—	—	•	—	—	—	—	—	—	—
	1 - 2 x 2	—	—	•	•	—	•	—	—	—	—
	With grounding	—	—	•	•	•	•	—	—	—	—
Clip-on, mounting on:	35 mm 	•	•	•	•	•	•	•	•	•	•
	35 mm 	•	•	•	•	•	•	•	•	•	•
	35 mm 	•	•	•	•	•	—	•	—	—	•
	35 mm 	—	—	—	—	—	—	—	—	—	—
	15 mm 	—	—	—	—	—	—	—	—	—	—
Display		—	•	•	•	•	•	—	—	—	—
Colors	Gray	•	•	•	•	•	•	—	•	•	•
	Blue	—	—	—	—	—	—	•	—	—	—
	Green/yellow	—	—	•	•	—	—	—	—	—	—
	Orange	—	—	—	•	—	—	—	—	—	—
	Red	—	—	—	•	—	—	—	—	—	—
	Green	—	—	—	—	—	—	—	—	—	—
	White	—	—	—	—	—	—	—	—	—	—
	Black	—	—	—	•	—	—	—	—	—	—
Catalog numbers		AB1D11	AB1FU10	AB1ETN	AB1ET4	AB1DDP AB1ET3	AB1TR	AB1NEN	AB1BB	AB1BC	AB1FV AB1FC
Marking accessories		See pages 5/2 and 5/3.									

Terminal Blocks, Type AB1

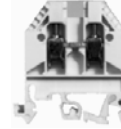
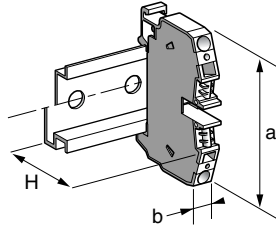
Screw clamp technology

Passthrough

Clip-on mounting on 35 mm \mathcal{E} 5 \mathcal{E} 4 rails

Nominal wire size

2.5 mm²



AB1VV235U**

1	Approximate dimensions, in. (mm)	Length (a)	1.57 (40)	
		Width (b)	0.20 (5)	
		Height (H) with \mathcal{E} 5 rail	2.20 (56)	
1	Approximate dimensions, in. (mm)	with \mathcal{E} 4 rail	1.91 (48.5)	
		with \mathcal{E} 3 rail	2.09 (53)	
		Wire size, mm ²	Stranded w/o cable end	0.5–2.5
1	Wire size, mm ²	Stranded + cable end	0.5–1.5	
		Solid	0.5–4	
		Tightening torque	IEC	0.4–0.6 N•m
1	Tightening torque	UL	8.0 lbf-in	
		Nominal electrical values	IEC/EN 60947-7-1 (1)	800 V / 8 kV / 3–24 A
		UL (4)	22–12 AWG, 600 V, 20 A	
1	Nominal electrical values	CSA (5)	24–12 AWG, 600 V, 25 A	
		UTE, category C	500 Vac, 500 Vdc	
		VDE, group C	750 Vac, 900 Vdc, 26 A	
		ATEX - EEx eII II 2GD	2.5 mm ² , 750 V, 23 A, KEMA 02 ATEX 2114 U	
		Certifications		See the tables beginning on page 1/12.

Terminal blocks

	No. points	Sold in lots of	Catalog number	Weight oz (g)
Gray	2	100	AB1VV235U	0.23 (6.5)
Blue	2	100	AB1VV235UBL	0.23 (6.5)
Orange	2	100	AB1VV235UGE	0.23 (6.5)
Red	—	—	—	—
Green	—	—	—	—
White	—	—	—	—
Black	—	—	—	—

Accessories

2	Plastic end clamp with screw	Width 0.3 in. (7.5 mm) on \mathcal{E} 3	—	100	AB1AB7P32	0.15 (4.2)
		Width 0.3 in. (8 mm) on \mathcal{E} 5 or \mathcal{E} 4	—	100	AB1AB8P35	0.21 (5.9)
3	Metal end clamp with screw	Width 0.4 in. (10 mm) on \mathcal{E} 3	—	100	AB1AB10M32	0.23 (6.5)
		Width 0.3 in. (8 mm) on \mathcal{E} 5 or \mathcal{E} 4	—	100	AB1AB8M35	0.52 (14.8)
4	Clip-on plastic end clamp (2)		—	100	AB1AB8R35	0.21 (5.9)
5	Marker holder for clip-on plastic end clamp		—	10	AB1SB4	0.11 (3.1)
6	End plate thickness 0.06 in. (1.5 mm)	Gray	—	50	AB1AC24	0.07 (1.9)
		Blue	—	50	AB1AC24BL	0.07 (1.9)
		Orange	—	50	AB1AC24GE	0.07 (1.9)
		Black	—	50	AB1AS24	0.09 (2.6)
7	Partition plate thickness 0.06 in. (1.5 mm)	Gray	—	50	AB1AS24	0.09 (2.6)
		Blue	—	50	AB1AS24BL	0.09 (2.6)
		Red	—	—	—	—
		Black	—	—	—	—
8	Jumper with screws	Non-insulated	80	10	AB1AL2	3.7 (105.0)
		Insulated (3)	2	10	AB1ALN22	0.07 (2.0)
			10	10	AB1ALN210	0.35 (10.0)
9	Jumper for 2 blocks (1)		2	50	AB1BL2	0.35 (10.0)
10	Socket for test plug, \varnothing 0.09 in. (2.3 mm)		—	50	AB1A2	0.018 (0.5)
11	Test plug	Red	—	50	AB1AT1	0.06 (1.7)
12	Terminal cover		4	100	AB1CS2	0.007 (0.2)
13/15	Marking accessories		See pages 5/2 and 5/3.			
16	Yellow partition plate		1	100	AB1CJ2	0.011 (0.3)
17/18	Yellow protective cover	Single point	1	100	AB1CA2	0.004 (0.1)
		10 points	—	—	—	—

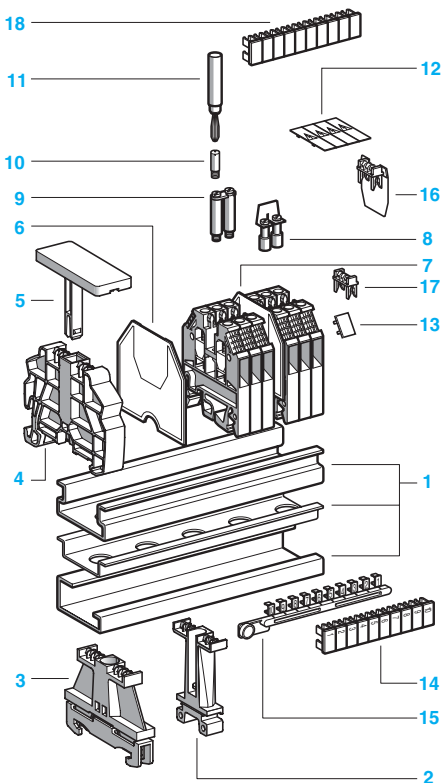


Table Footnotes:

- (1) When using jumpers, the rated voltage is reduced to 400 V/6 kV/3.
- (2) Width 0.3 in. (8 mm) on \mathcal{E} 5 or \mathcal{E} 4.
- (3) Depending on the size of the terminal block, other jumpers between 2 and 12 points may be available.
- (4) File E164359 CCN XCFR2.
- (5) File 702070 Class 6228 01.

Terminal Blocks, Type AB1

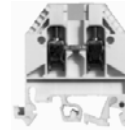
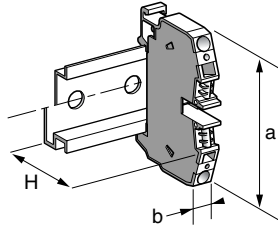
Screw clamp technology

Passthrough

Clip-on mounting on 35 mm \mathcal{E} 5 \mathcal{E} 4 \mathcal{E} 3 rails

Nominal wire size

4 mm²



AB1VV435U**

Approximate dimensions, in. (mm)	Length (a)	Width (b)	Height (H) with	
	1.57 (40)	0.24 (6)	\mathcal{E} 5 rail	2.20 (56)
			\mathcal{E} 4 rail	1.91 (48.5)
			\mathcal{E} 3 rail	2.09 (53)
Wire size, mm ²	Stranded w/o cable end	0.5–4		
	Stranded + cable end	0.5–2.5		
	Solid	0.5–6		
Tightening torque	IEC	0.5–0.7 N•m		
	UL	8.0 lbf-in		
Nominal electrical values	IEC/EN 60947-7-1 (1)	800 V / 8 kV / 3–32 A		
	UL (4)	22–10 AWG, 600 V, 30 A		
	CSA (5)	24–10 AWG, 600 V, 40 A		
	UTE, category C	500 Vac, 500 Vdc		
	VDE, group C	750 Vac, 900 Vdc, 34 A		
ATEX - EEx eII II 2GD	4 mm ² , 750 V, 14/27 A, KEMA 02 ATEX 2114 U			
Certifications	See the tables beginning on page 1/12.			

Terminal blocks

	No. points	Sold in lots of	Catalog number	Weight oz (g)
Gray	2	100	AB1VV435U	0.28 (7.8)
Blue	2	100	AB1VV435UBL	0.28 (7.8)
Orange	2	100	AB1VV435UGE	0.28 (7.8)
Red	2	100	AB1VV435URO	0.28 (7.8)
Green	2	100	AB1VV435UVE	0.28 (7.8)
White	2	100	AB1VV435UBLA	0.28 (7.8)
Black	2	100	AB1VV435UNO	0.28 (7.8)

Accessories

2	Plastic end clamp with screw	Width 0.3 in. (7.5 mm) on \mathcal{E} 3	—	100	AB1AB7P32	0.15 (4.2)
		Width 0.3 in. (8 mm) on \mathcal{E} 5 or \mathcal{E} 4	—	100	AB1AB8P35	0.21 (5.9)
3	Metal end clamp with screw	Width 0.4 in. (10 mm) on \mathcal{E} 3	—	100	AB1AB10M32	0.23 (6.5)
		Width 0.3 in. (8 mm) on \mathcal{E} 5 or \mathcal{E} 4	—	100	AB1AB8M35	0.52 (14.8)
4	Clip-on plastic end clamp (2)		—	100	AB1AB8R35	0.21 (5.9)
5	Marker holder for clip-on plastic end clamp		—	10	AB1SB4	0.11 (3.1)
6	End plate thickness 0.06 in. (1.5 mm)	Gray	—	50	AB1AC24	0.07 (1.9)
		Blue	—	50	AB1AC24BL	0.07 (1.9)
		Orange	—	50	AB1AC24GE	0.07 (1.9)
		Red	—	50	AB1AC24RO	0.07 (1.9)
		Black	—	50	AB1AC24NO	0.07 (1.9)
7	Partition plate thickness 0.06 in. (1.5 mm)	Gray	—	50	AB1AS24	0.09 (2.6)
		Blue	—	50	AB1AS24BL	0.09 (2.6)
		Red	—	50	AB1AS24RO	0.09 (2.6)
		Black	—	50	AB1AS24NO	0.09 (2.6)
8	Jumper with screws	Non-insulated	70	10	AB1AL4	5.10 (145.0)
		Insulated (3)	2	10	AB1ALN42	0.10 (2.9)
			10	10	AB1ALN410	0.63 (18.0)
9	Jumper for 2 blocks (1)		2	50	AB1BL4	0.42 (12.0)
10	Socket for test plug, \varnothing 0.09 in. (2.3 mm)		—	50	AB1A4	0.19 (5.4)
11	Test plug	Red	—	50	AB1AT1	0.06 (1.7)
12	Terminal cover		1	100	AB1CS4	0.028 (0.8)
13/15 Marking accessories						
16	Yellow partition plate		1	100	AB1CJ4	0.032 (0.9)
17/18	Yellow protective cover	Single point	1	100	AB1CA4	0.004 (0.1)
		10 points	10	50	AB1CA410ET	0.035 (1.0)

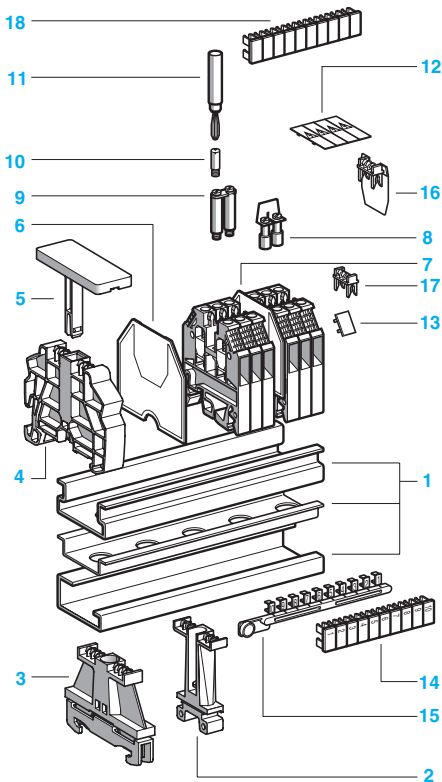


Table Footnotes:

- (1) When using jumpers, the rated voltage is reduced to 400 V/6 kV/3.
- (2) Width 0.3 in. (8 mm) on \mathcal{E} 5 or \mathcal{E} 4.
- (3) Depending on the size of the terminal block, other jumpers between 2 and 12 points may be available.
- (4) File E164359 CCN XCFR2.
- (5) File 702070 Class 6228 01.

Terminal Blocks, Type AB1

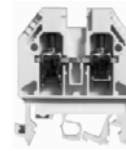
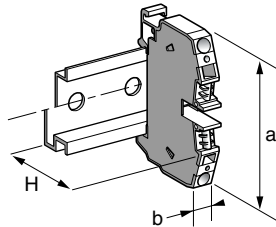
Screw clamp technology

Passthrough

Clip-on mounting on 35 mm ± 5 rails

Nominal wire size

6 mm²



Approximate dimensions in. (mm)	Length (a)	1.81 (46)
	Width (b)	0.31 (8)
Height (H)	± 5 rail	2.40 (61)
	\pm rail	2.11 (53.5)
	\square rail	2.28 (58)
Wire size, mm ²	Stranded w/o cable end	0.5–6
	Stranded + cable end	0.5–6
	Solid	0.5–10
Tightening torque	IEC	1.2–1.6 N•m
	UL	20.0 lbf-in
Nominal electrical values	IEC/EN 60947-7-1 (1)	800 V / 8 kV / 3–41 A
	UL (4)	22–8 AWG, 600 V, 50 A
	CSA (5)	24–8 AWG, 600 V, 45 A
	UTE, category C	500 Vac, 500 Vdc
	VDE, group C	750 Vac, 900 Vdc, 44 A
	ATEX - EEx eII II 2GD	6 mm ² , 750 V, 35/38 A, KEMA 02 ATEX 2114 U

AB1VV635U**

1.81 (46)
0.31 (8)
2.40 (61)
2.11 (53.5)
2.28 (58)
0.5–6
0.5–6
0.5–10
1.2–1.6 N•m
20.0 lbf-in
800 V / 8 kV / 3–41 A
22–8 AWG, 600 V, 50 A
24–8 AWG, 600 V, 45 A
500 Vac, 500 Vdc
750 Vac, 900 Vdc, 44 A
6 mm ² , 750 V, 35/38 A, KEMA 02 ATEX 2114 U
See the tables beginning on page 1/12.

Certifications

Terminal blocks

	No. points	Sold in lots of	Catalog number	Weight oz (g)
Gray	2	100	AB1VV635U	0.52 (14.8)
Blue	2	100	AB1VV635UBL	0.52 (14.8)
Orange	2	100	AB1VV635UGE	0.52 (14.8)
Red	—	—	—	—
Green	—	—	—	—
White	—	—	—	—
Black	—	—	—	—

Accessories

2	Plastic end clamp with screw	Width 0.3 in. (7.5 mm) on \square	—	100	AB1AB7P32	0.15 (4.2)
		Width 0.3 in (8 mm) on ± 5 or \pm	—	100	AB1AB8P35	0.21 (5.9)
3	Metal end clamp with screw	Width 0.4 in. (10 mm) on \square	—	100	AB1AB10M32	0.23 (6.5)
		Width 0.3 in. (8 mm) on ± 5 or \pm	—	100	AB1AB8M35	0.52 (14.8)
4	Clip-on plastic end clamp (2)	—	100	AB1AB8R35	0.21 (5.9)	
5	Marker holder for clip-on plast. end clamp	—	10	AB1SB4	0.11 (3.1)	
6	End plate	Gray	—	50	AB1AC6	0.09 (2.6)
		Blue	—	50	AB1AC6BL	0.09 (2.6)
		Orange	—	50	AB1AC6GE	0.09 (2.6)
7	Partition plate	Gray	—	50	AB1AS6	0.12 (3.3)
		Blue	—	50	AB1AS6BL	0.12 (3.3)
		Red	—	—	—	—
		Black	—	—	—	—
8	Jumper with screws	Non-insulated	80	10	AB1AL6	8.40 (237.0)
		Insulated (3)	2	10	AB1ALN62	0.22 (6.1)
10	Socket for test plug, \varnothing 0.16 in. (4 mm)	—	50	AB1A6	0.035 (1.0)	
11	Test plug	Black	—	50	AB1AT2	0.06 (1.7)
12	Terminal cover	—	4	100	AB1CS6	0.05 (1.5)
13/15	Marking accessories	See pages 5/2 and 5/3.				
16	Yellow partition plate	—	1	100	AB1CJ6	0.018 (0.5)
17/18	Yellow protective cover	Single point	1	100	AB1CA6	0.007 (0.2)
		10 points	—	—	—	—

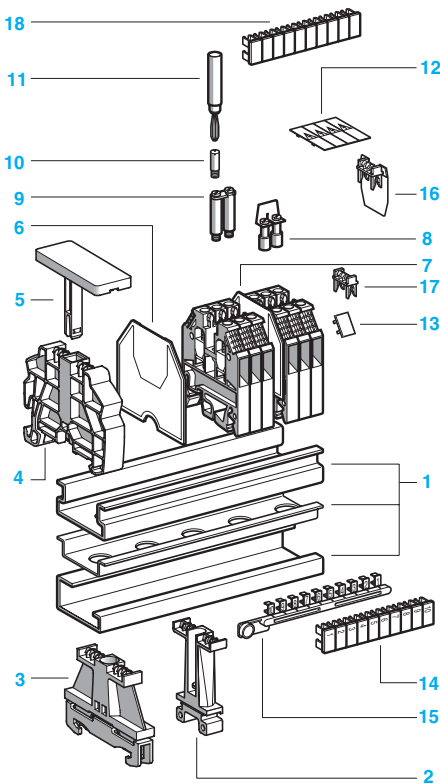


Table Footnotes:

- (1) When using jumpers, the rated voltage is reduced to 400 V/6 kV/3.
- (2) Width 0.3 in. (8 mm) on ± 5 or \pm .
- (3) Depending on the size of the terminal block, other jumpers between 2 and 12 points may be available.
- (4) File E164359 CCN XCFR2.
- (5) File 702070 Class 6228 01.

Terminal Blocks, Type AB1

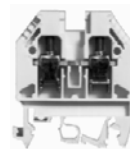
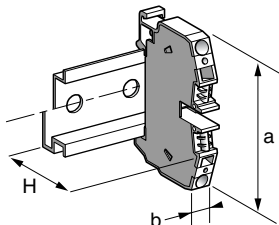
Screw clamp technology

Passthrough

Clip-on mounting on 35 mm \mathcal{L} rails

Nominal wire size

10 mm²



AB1VVN1035U**

Approximate dimensions in. (mm)	Length (a)	2.01 (51)
	Width (b)	0.39 (10)
Height (H)	\mathcal{L} rail	2.46 (62.5)
	\mathcal{L} rail	2.17 (55)
	\mathcal{L} rail	2.34 (59.5)
Wire size, mm ²	Stranded w/o cable end	2.5–10
	Stranded + cable end	2.5–10
	Solid	6–16
Tightening torque	IEC	2.0–2.5 N•m
	UL	35.0 lbf-in
Nominal electrical values	IEC/EN 60947-7-1 (1)	800 V / 8 kV / 3–57 A
	UL (4)	16–6 AWG, 600 V, 65 A
	CSA (5)	16–6 AWG, 600 V, 70 A
	UTE, category C	500 Vac, 500 Vdc
	VDE, group C	750 Vac, 900 Vdc, 63 A
	ATEX - EEx eII II 2GD	10 mm ² , 750 V, 43 / 56 A, KEMA 02 ATEX 2114 U

Certifications

See the tables beginning on page 1/12.

Terminal blocks

	No. points	Sold in lots of	Catalog number	Weight oz (g)
Gray	2	50	AB1VVN1035U	0.92 (26.0)
Blue	2	50	AB1VVN1035UBL	0.92 (26.0)
Orange	—	—	—	—
Red	—	—	—	—
Green	—	—	—	—
White	—	—	—	—
Black	—	—	—	—

Accessories

2	Plastic end clamp with screw	Width 0.3 in. (7.5 mm) on \mathcal{L}	—	100	AB1AB7P32	0.15 (4.2)
		Width 0.3 in (8 mm) on \mathcal{L} or \mathcal{L}	—	100	AB1AB8P35	0.21 (5.9)
3	Metal end clamp with screw	Width 0.4 in. (10 mm) on \mathcal{L}	—	100	AB1AB10M32	0.23 (6.5)
		Width 0.3 in. (8 mm) on \mathcal{L} or \mathcal{L}	—	100	AB1AB8M35	0.52 (14.8)
4	Clip-on plastic end clamp (2)		—	100	AB1AB8R35	0.23 (5.9)
5	Marker holder for clip-on plastic end clamp		—	10	AB1SB4	0.21 (3.1)
6	End plate thickness 0.06 in. (1.5 mm)	Gray	—	10	AB1ACN10	0.13 (3.7)
		Blue	—	10	AB1ACN10BL	0.13 (3.7)
7	Partition plate thickness 0.06 in. (1.5 mm)	Gray	—	10	AB1ASN10	0.16 (4.5)
		Blue	—	—	—	—
		Red	—	—	—	—
		Black	—	—	—	—
8	Jumper with screws	Non-insulated	40	10	AB1ALN10	6.30 (4.5)
		Insulated (3)	2	10	AB1ALN102	0.41 (11.6)
			10	10	AB1ALN1010	2.05 (58.0)
9	Jumper for 2 blocks (1)		2	50	AB1BL10	0.78 (22.0)
10	Socket for test plug, \varnothing 0.16 (4 mm)		—	50	AB1A10	0.035 (1.0)
11	Test plug	Black	—	50	AB1AT2	0.06 (1.7)
12	Terminal cover		4	100	AB1CSN10	0.05 (1.4)
13/15	Marking accessories		See pages 5/2 and 5/3.			
16	Yellow partition plate		1	100	AB1CJN10	0.025 (0.7)
17/18	Yellow protective cover	Single point	1	100	AB1CA10	0.011 (0.3)
		10 points	—	—	—	—

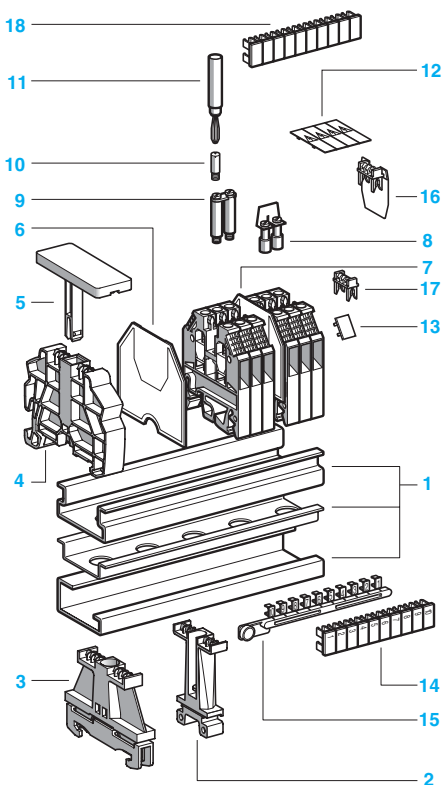


Table Footnotes:

- (1) When using jumpers, the rated voltage is reduced to 400 V/6 kV/3.
- (2) Width 0.3 in. (8 mm) on \mathcal{L} or \mathcal{L} .
- (3) Depending on the size of the terminal block, other jumpers between 2 and 12 points may be available.
- (4) File E164359 CCN XCFR2.
- (5) File 702070 Class 6228 01.

Terminal Blocks, Type AB1

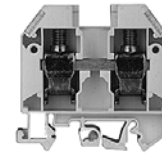
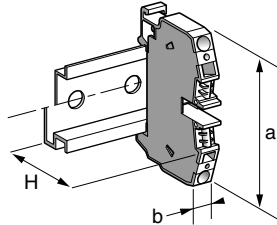
Screw clamp technology

Passthrough

Clip-on mounting on 35 mm rails

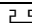
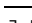
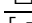
Nominal wire size

16 mm²



AB1VVN1635U**

Approximate dimensions, in. (mm)

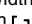
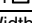
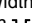

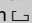
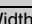
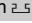
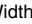
1	Length (a)	2.26 (57.5)	
	Width (b)	0.47 (12)	
	Height (H)	 rail	2.56 (65)
		with  rail	2.26 (57.5)
Wire size, mm ²	 rail	2.44 (62)	
	Stranded without cable end	4–16	
	Stranded with cable end	4–16	
Tightening torque	Solid	10–25	
	IEC	2.5–3.0 N•m	
Nominal electrical values	UL	35.0 lbf-in	
	IEC/EN 60947-7-1	800 V / 8 kV / 3–76 A	
Certifications	UL File E164359	12–4 AWG, 600 V, 85 A	
	CCN XCFR2	14–4 AWG, 600 V, 95 A	
	CSA File 702070	14–4 AWG, 600 V, 95 A	
	Class 6228 01	500 Vac, 500 Vdc	
	UTE, category C	750 Vac, 900 Vdc, 85 A	
	VDE, group C	16 mm ² , 750 V, 66 / 71 A, KEMA 02 ATEX 2114 U	
	ATEX - EEx ell II 2GD	See the tables beginning on page 1/12.	

Certifications

Terminal blocks

	No. points	Sold in lots of	Catalog number	Weight oz (g)
Gray	2	50	AB1VVN1635U	1.41 (40.0)
Blue	2	50	AB1VVN1635UBL	1.41 (40.0)

Accessories

2	Plastic end clamp with screw	Width 0.3 in. (7.5 mm) on 	—	100	AB1AB7P32	0.15 (4.2)
		Width 0.3 in. (8 mm) on  or 	—	100	AB1AB8P35	0.21 (5.9)
3	Metal end clamp with screw	Width 0.4 in. (10 mm) on 	—	100	AB1AB10M32	0.23 (6.5)
		Width 0.3 in. (8 mm) on  or 	—	100	AB1AB8M35	0.52 (14.8)
4	Clip-on plastic end clamp	Width 0.3 in. (8 mm) on  or 	—	100	AB1AB8R35	0.21 (5.9)
5	Marker tag holder for clip-on plastic end clamp		—	10	AB1SB4	0.11 (3.1)
6	End plate thickness 0.06 in. (1.5 mm)	Gray	—	10	AB1ACN16	0.19 (5.4)
		Blue	—	10	AB1ACN16BL	0.19 (5.4)
		Gray	—	10	AB1ASN16	0.23 (6.4)
7	Jumper with screws	Width 0.08 in. (2.0 mm) thickness 0.06 in. (1.5 mm)	—	10	AB1ALN16	11.29 (320.0)
		Width 0.12 in. (3.0 mm)	—	10	AB1ALN162	0.88 (25.0)
8	Socket for test plug, Ø 0.16 (4 mm)	Non-insulated	30	10	AB1ALN1610	4.41 (125.0)
		Insulated (1)	2	10	AB1ALN162	0.88 (25.0)
9	Test plug	Black	—	50	AB1A16	0.035 (1.0)
10	Terminal cover		—	50	AB1AT2	0.06 (1.7)
11/12	Marking accessories		4	10	AB1CSN16	0.05 (1.4)
	Yellow partition plate		1	10	AB1CJN16	0.011 (0.3)
	Yellow protective cover		1	100	AB1CA16	0.018 (0.5)

See pages 5/2 and 5/3.

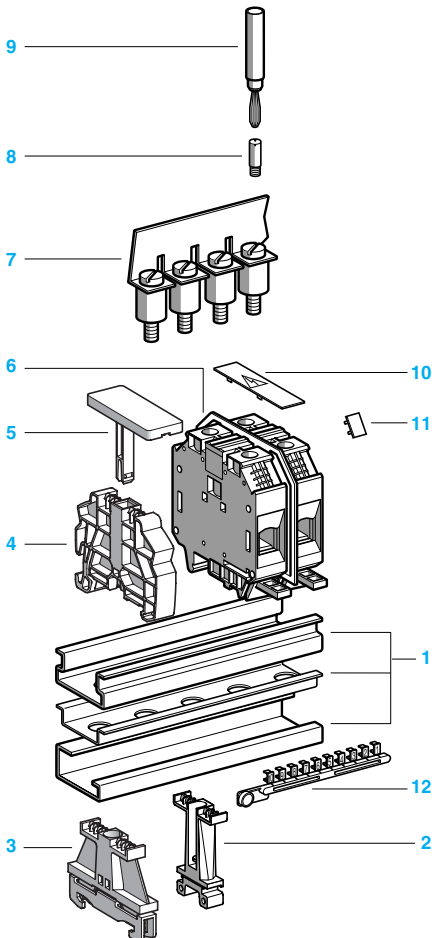


Table Footnote:

(1) Depending on the size of the terminal block, other jumpers between 2 and 12 points may be available.

Terminal Blocks, Type AB1

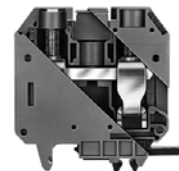
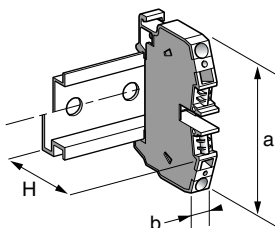
Screw clamp technology

Passthrough

Clip-on mounting on 35 mm rails

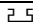
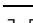
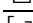
Nominal wire size

35 mm²



AB1VVN3535U**

Approximate dimensions, in. (mm)

1	Length (a)	
	Width (b)	
	Height (H)	
		
		

2.48 (63)
0.63 (16)
2.96 (75.1)
2.66 (67.6)
2.72 (69)

Wire size, mm ²	Stranded without cable end	10–35
	Stranded with cable end	10–35
	Solid	10–50

10–35
10–35
10–50

Tightening torque	IEC	2.5–3.0 N•m
	UL	50 lbf-in

2.5–3.0 N•m
50 lbf-in

Nominal electrical values	IEC/EN 60947-7-1	800 V / 8 kV / 3–125 A
	UL File E164359 CCN XCFR2	10–2 AWG, 600 V, 95 A
	CSA File 702070 Class 6228 01	12–2 AWG, 600 V, 110 A

800 V / 8 kV / 3–125 A
10–2 AWG, 600 V, 95 A
12–2 AWG, 600 V, 110 A

UTE, category C	500 Vac, 500 Vdc
VDE, group C	750 Vac, 900 Vdc, 138 A
ATEX - EEx ell II 2GD	35 mm ² , 750 V, 86 / 124 A, KEMA 02 ATEX 2114 U

500 Vac, 500 Vdc
750 Vac, 900 Vdc, 138 A
35 mm ² , 750 V, 86 / 124 A, KEMA 02 ATEX 2114 U

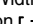
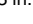
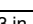
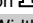

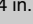
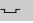
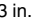
Certifications

See the tables beginning on page 1/12.

Terminal blocks

	No. points	Sold in lots of	Catalog number	Weight oz (g)
Gray	2	20	AB1VVN3535U	2.50 (71.0)
Blue	2	20	AB1VVN3535UBL	2.50 (71.0)

Accessories

2	Plastic end clamp with screw	Width 0.3 in. (7.5 mm) on 	—	100	AB1AB7P32	0.15 (4.2)
		Width 0.3 in. (8 mm) on  or 	—	100	AB1AB8P35	0.21 (5.9)
3	Metal end clamp with screw	Width 0.4 in. (10 mm) on 	—	100	AB1AB10M32	0.23 (6.5)
		Width 0.3 in. (8 mm) on  or 	—	100	AB1AB8M35	0.52 (14.8)
4	Clip-on plastic end clamp	Width 0.3 in. (8 mm) on  or 	—	100	AB1AB8R35	0.21 (5.9)
5	Marker tag holder for clip-on plastic end clamp	Gray	—	10	AB1SB4	0.11 (3.1)
		Blue	—	—	—	—
6	Partition plate	Gray, width .08 in. (2.0 mm)	—	10	AB1ASN35	0.25 (7.0)
		Gray, width 1.9 in. (3.0 mm)	—	—	—	—
7	Jumper with screws	Non-insulated	—	—	—	—
		Insulated (1)	2	10	AB1ALN352	0.99 (28.0)
			20	10	AB1ALN35	10.02 (284.0)
8	Socket for test plug	Ø 0.16 in. (4 mm)	—	50	AB1A35	0.10 (2.7)
9	Test plug	Black	—	50	AB1AT2	0.06 (1.7)
10	Terminal cover		4	10	AB1CSN35	0.05 (1.4)
11/12	Marking accessories	Yellow partition plate	—	—	—	—
		Yellow protective cover	1	50	AB1CA35	0.025 (0.7)
			See pages 5/2 and 5/3.			

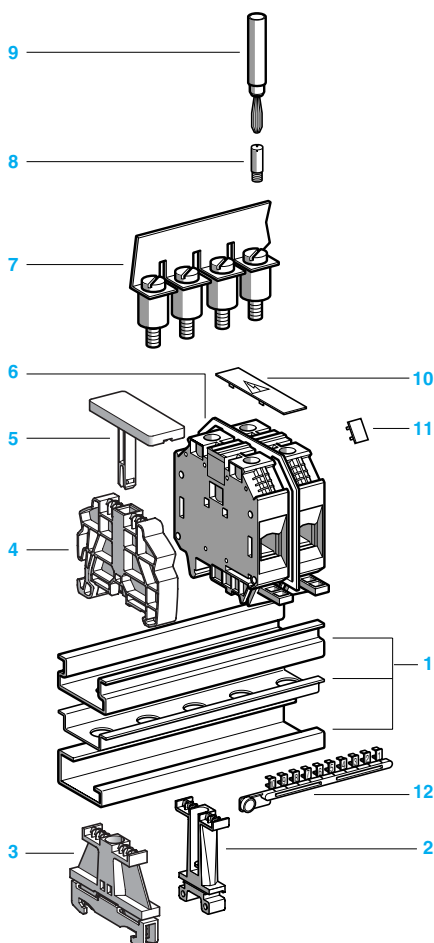


Table Footnote:

(1) Depending on the size of the terminal block, other jumpers between 2 and 12 points may be available.

Terminal Blocks, Type AB1

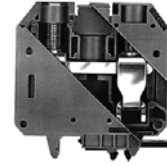
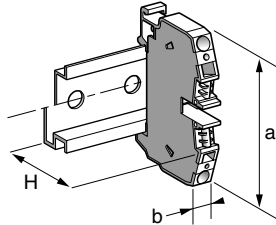
Screw clamp technology

Passthrough

Clip-on mounting on 35 mm rails

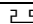
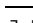
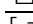
Nominal wire size

70 mm²



AB1VVN7035U**

Approximate dimensions, in. (mm)

1	Length (a)	2.96 (75.2)
	Width (b)	0.94 (24)
	Height (H)  rail	3.49 (88.7)
	with  rail	3.20 (81.2)
	with  rail	3.26 (82.7)
Wire size, mm ²	Stranded without cable end	10–70
	Stranded with cable end	10–70
	Solid	16–95
Tightening torque	IEC	6–10 N•m
	UL	150 lbf-in
Nominal electrical values	IEC/EN 60947-7-1	800 V / 8 kV / 3–192 A
	UL File E164359 CCN XCFR2	6–2/0 AWG, 600 V, 175 A
	CSA File 702070 Class 6228 01	6–2/0 AWG, 600 V, 170 A
	UTE, category C	500 Vac, 500 Vdc
	VDE, group C	750 Vac, 900 Vdc, 213 A
	ATEX - EEx eII II 2GD	70 mm ² , 750 V, 179 A, KEMA 02 ATEX 2114 U

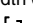
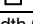
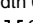
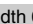
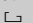
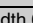
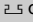
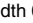
Certifications

See the tables beginning on page 1/12.

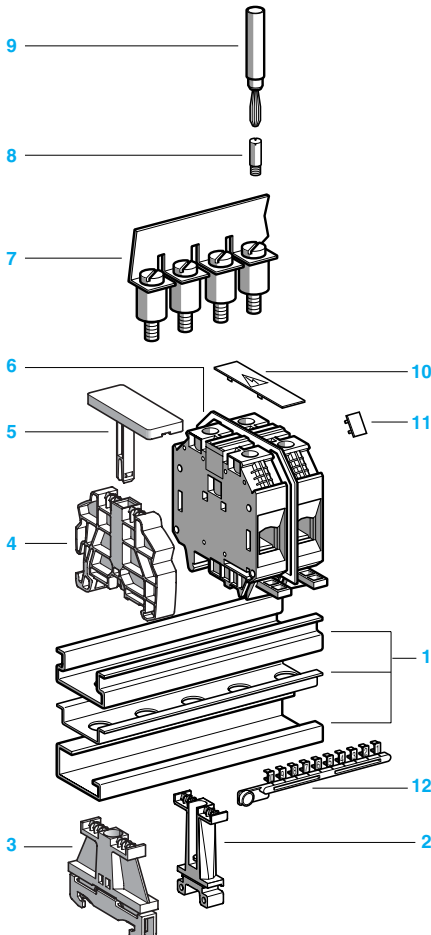
Terminal blocks

	No. points	Sold in lots of	Catalog number	Weight oz (g)
Gray	2	20	AB1VVN7035U	6.10 (173.0)
Blue	2	20	AB1VVN7035UBL	6.10 (173.0)

Accessories

2	Plastic end clamp with screw	Width 0.3 in. (7.5 mm) on 	—	100	AB1AB7P32	0.15 (4.2)
		Width 0.3 in. (8 mm) on  or 	—	100	AB1AB8P35	0.21 (5.9)
3	Metal end clamp with screw	Width 0.4 in. (10 mm) on 	—	100	AB1AB10M32	0.23 (6.5)
		Width 0.3 in. (8 mm) on  or 	—	100	AB1AB8M35	0.52 (14.8)
4	Clip-on plastic end clamp	Width 0.3 in. (8 mm) on  or 	—	100	AB1AB8R35	0.21 (5.9)
5	Marker tag holder for clip-on plastic end clamp		—	10	AB1SB4	0.11 (3.1)
	End plate thickness	Gray 0.06 in. (1.5 mm) Blue	—	—	—	—
6	Partition plate	Gray, width .08 in. (2.0 mm) thickness 0.06 in. (1.5 mm) Gray, width 0.12 in. (3.0 mm)	—	—	—	—
			—	10	AB1ASN70	0.78 (22.0)
7	Jumper with screws	Non-insulated Insulated (1)	2	10	AB1ALN702	0.79 (22.3)
			—	—	—	—
			—	—	—	—
8	Socket for test plug, Ø 0.16 (4 mm)		—	—	—	—
9	Test plug	Black	—	—	—	—
10	Terminal cover		4	10	AB1CSN10	0.05 (1.4)
11/12	Marking accessories		See pages 5/2 and 5/3.			
	Yellow partition plate		—	—	—	—
	Yellow protective cover		—	—	—	—

(1) Depending on the size of the terminal block, other jumpers between 2 and 12 points may be available.



Terminal Blocks, Type AB1

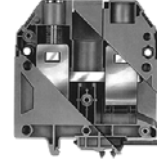
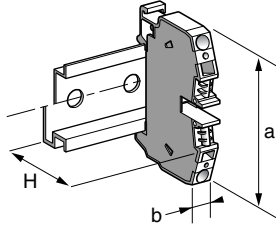
Screw clamp technology

Passthrough

Clip-on mounting on 35 mm \square rails

Nominal wire size

150 mm²



AB1VVN15035U**

1	Approximate dimensions, in. (mm)	Length (a)	3.61 (91.7)
		Width (b)	1.10 (28)
		Height (H) \square rail	4.18 (106.1)
		with \sqcap rail	3.88 (98.6)
Wire size, mm ²	Stranded without cable end	35–150	
	Stranded with cable end	35–150	
	Solid	35–185	
Tightening torque	IEC	10–15 N•m	
	UL	150 lbf-in	
Nominal electrical values	IEC/EN 60947-7-1	1000 V / 8 kV / 3–309 A	
	UL File E164359	2/0 AWG – 350 kcmil, 600 V, 335 A	
	CCN XCFR2		
	CSA File 702070	2/0 AWG – 300 kcmil, 600 V, 300 A	
	Class 6228 01		
	UTE, category C	500 Vac, 500 Vdc	
	VDE, group C	750 Vac, 900 Vdc, 344 A	
	ATEX - EEx ell II 2GD	150 mm ² , 750 V, 290/309 A, KEMA 02 ATEX 2114 U	

Certifications

See the tables beginning on page 1/12.

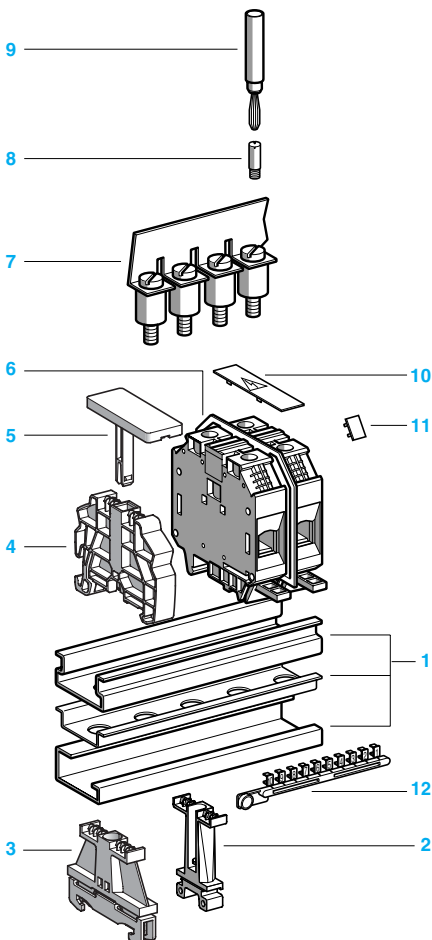
Terminal blocks

	No. points	Sold in lots of	Catalog number	Weight oz (g)
Gray	2	10	AB1VVN15035U	9.43 (267.2)
Blue	2	10	AB1VVN15035UBL	9.43 (267.2)

Accessories

2	Plastic end clamp with screw	Width 0.3 in. (7.5 mm) on \square	—	100	AB1AB7P32	1.5 (4.2)
		Width 0.3 in. (8 mm) on \square or \sqcap	—	100	AB1AB8P35	0.21 (5.9)
3	Metal end clamp with screw	Width 0.4 in. (10 mm) on \square	—	100	AB1AB10M32	0.23 (6.5)
		Width 0.3 in. (8 mm) on \square or \sqcap	—	100	AB1AB8M35	0.52 (14.8)
4	Clip-on plastic end clamp	Width 0.3 in. (8 mm) on \square or \sqcap	—	100	AB1AB8R35	0.21 (5.9)
			—	10	AB1SB4	0.11 (3.1)
5	Marker tag holder for clip-on plastic end clamp	End plate	Gray	—	—	—
		thickness	Blue	—	—	—
6	Partition plate	Gray, width 0.08 in. (2.0 mm)	—	—	—	—
		thickness 0.06 in. (1.5 mm)	Gray, width 0.12 in. (3.0 mm)	—	—	—
7	Jumper with screws	Non-insulated	2	10	AB1ALN1502	5.15 (146.0)
		Insulated (1)	—	—	—	—
8	Socket for test plug	\varnothing 0.16 in. (4 mm)	—	—	—	—
9	Test plug	Black	—	—	—	—
10	Terminal cover		4	10	AB1CSN150	0.11 (3.2)
11/12	Marking accessories		See pages 5/2 and 5/3.			
	Yellow partition plate		—	—	—	—
	Yellow protective cover		—	—	—	—

(1) Depending on the size of the terminal block, other jumpers between 2 and 12 points may be available.



Terminal Blocks, Type AB1

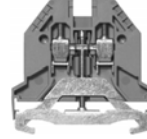
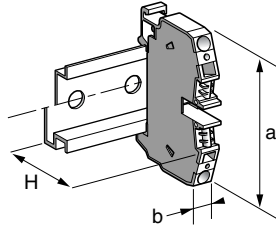
Screw clamp technology

Grounding type

Clip-on mounting on 35 mm rails



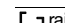
Nominal wire size

2.5 mm²



AB1TP 235U

Approximate dimensions, in. (mm)

1	Length (a)	1.91 (48.6)
	Width (b)	0.20 (5.1)
	Height (H) with 	1.91 (48.5)
	with 	2.20 (56)
	with 	2.39 (60.5)


Wire size, mm²

Stranded without cable end	0.5–2.5
Stranded with cable end	0.5–2.5
Solid	0.5–4

Tightening torque

IEC	0.4–0.6 N•m
UL	8.0 lbf-in

Nominal electrical values

IEC/EN 60947-7-1	500 V / 6kV / 3
UL File E164359 CCN XCFR2	22–12 AWG
CSA File 702070 Class 6228 01	24–12 AWG
VDE, group C	—
ATEX - EEx ell  II 2GD	—

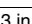
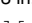
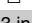
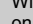
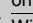
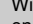

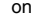
Certifications

See the tables beginning on page 1/12.

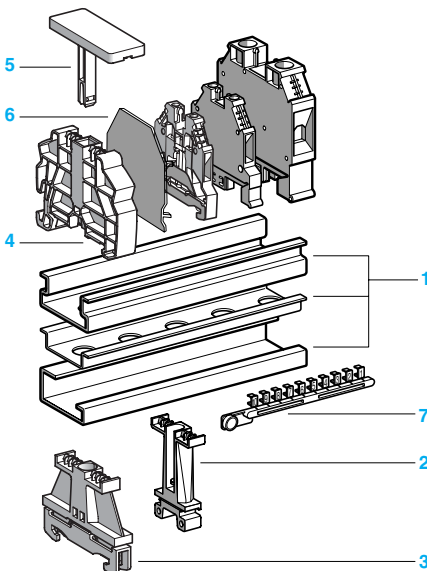
Terminal blocks

	No. points	Sold in lots of	Catalog number	Weight oz (g)
Green/yellow	2	100	AB1TP235U	0.46 (12.9)

Accessories

2	Plastic end clamp with screw	Width 0.3 in. (7.5 mm) on 	—	100	AB1AB7P32	0.15 (4.2)
		Width 0.3 in. (8 mm) on  or 	—	100	AB1AB8P35	0.21 (5.9)
3	Metal end clamp with screw	Width 0.3 in. (7.5 mm) on 	—	100	AB1AB10M32	0.23 (6.5)
		Width 0.3 in. (8 mm) on  or 	—	100	AB1AB8M35	0.52 (14.8)
4	Clip-on plastic end clamp	Width 0.3 in. (8 mm) on  or 	—	100	AB1AB8R35	0.21 (5.9)
5	Marker tag holder for clip-on end clamp		—	10	AB1SB4	0.11 (3.1)
6	End plate		—	10	AB1AC25	0.07 (1.9)
7	Marking accessories		See pages 5/2 and 5/3			

5240550



Terminal Blocks, Type AB1

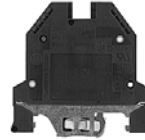
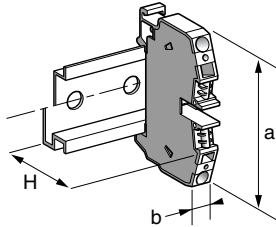
Screw clamp technology

Grounding type

Clip-on mounting on 35 mm rails

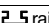
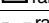
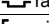
Nominal wire size

4 mm²



AB1TP435U

Approximate dimensions, in. (mm)

1	Length (a)	2.01 (51)
	Width (b)	0.24 (6)
	Height (H)  rail	2.20 (56)
	with  rail	1.91 (48.5)
	with  rail	2.09 (53)

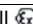
Wire size, mm²

Stranded without cable end	0.5–4
Stranded with cable end	0.5–2.5
Solid	0.5–6

Tightening torque

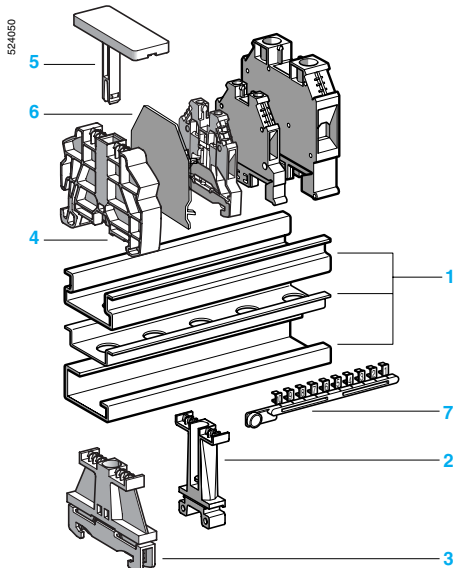
IEC	0.5–0.7 N•m
UL	8.0 lbf-in

Nominal electrical values

IEC/EN 60947-7-1	800 V / 8 kV / 3–32 A
UL File E164359	22–10 AWG, 600 V
CCN XCFR2	
CSA File 702070	20–10 AWG, 600 V
Class 6228 01	
VDE, group C	750 Vac, 900 Vdc, 35 A
ATEX - EEx ell  II 2GD	4 mm ² , KEMA 02 ATEX 2114 U

Certifications

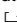



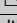

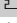
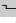
See the tables beginning on page 1/12.



Terminal blocks

	No. points	Sold in lots of	Catalog number	Weight oz (g)
Green/yellow	2	100	AB1TP435U	0.88 (25.0)

Accessories

2	Plastic end clamp with screw	Width 0.3 in. (7.5 mm) on 	—	100	AB1AB7P32	0.15 (4.2)
		Width 0.3 in. (8 mm) on  or 	—	100	AB1AB8P35	0.21 (5.9)
3	Metal end clamp with screw	Width 0.3 in. (7.5 mm) on 	—	100	AB1AB10M32	0.23 (6.5)
		Width 0.3 in. (8 mm) on  or 	—	100	AB1AB8M35	0.52 (14.8)
4	Clip-on plastic end clamp	Width 0.3 in. (8 mm) on  or 	—	100	AB1AB8R35	0.21 (5.9)
5	Marker tag holder for clip-on end clamp		—	10	AB1SB4	0.11 (3.1)
6	End plate		—	—	—	—
7	Marking accessories		See pages 5/2 and 5/3			

Terminal Blocks, Type AB1

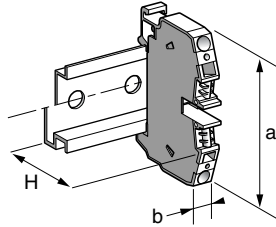
Screw clamp technology

Grounding type

Clip-on mounting on 35 mm rails



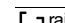
Nominal wire size

6 mm²



AB1TP635U

Approximate dimensions, in. (mm)

1	Length (a)	2.13 (54)
	Width (b)	0.31 (8)
	Height (H) on  rail	2.40 (61)
	with  rail	2.11 (53.5)
	with  rail	2.28 (58)


Wire size, mm²

Stranded without cable end	0.5–6
Stranded with cable end	0.5–6
Solid	0.5–10

Tightening torque

IEC	1.2–1.6 N•m
UL	20 lbf-in

Nominal electrical values

IEC/EN 60947-7-1	800 V / 8 kV / 3–41 A
UL File E164359 CCN XCFR2	22–8 AWG, 600 V
CSA File 702070 Class 6228 01	24–8 AWG, 600 V
VDE, group C	750 Vac, 900 Vdc, 46 A
ATEX - EEx ell  II 2GD	6 mm ² , KEMA 02 ATEX 2114 U


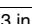
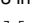
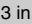

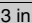
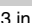
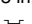
Certifications

See the tables beginning on page 1/12.

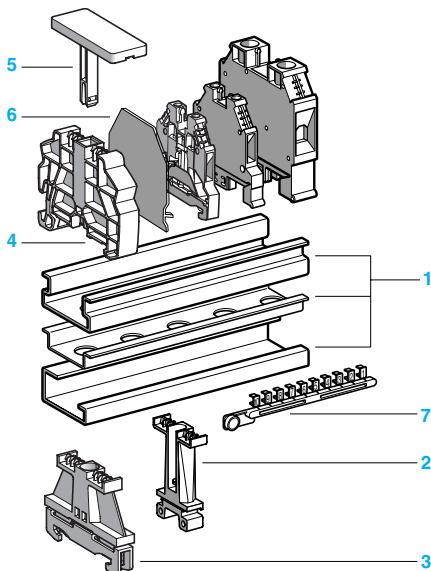
Terminal blocks

	No. points	Sold in lots of	Catalog number	Weight oz (g)
Green/yellow	2	50	AB1TP635U	2.68 (76.0)

Accessories

2	Plastic end clamp with screw	Width 0.3 in. (7.5 mm) on 	—	100	AB1AB7P32	0.15 (4.2)
		Width 0.3 in. (8 mm) on  or 	—	100	AB1AB8P35	0.21 (5.9)
3	Metal end clamp with screw	Width 0.3 in. (7.5 mm) on 	—	100	AB1AB10M32	0.23 (6.5)
		Width 0.3 in. (8 mm) on  or 	—	100	AB1AB8M35	0.52 (14.8)
4	Clip-on plastic end clamp	Width 0.3 in. (8 mm) on  or 	—	100	AB1AB8R35	0.21 (5.9)
5	Marker tag holder for clip-on end clamp		—	10	AB1SB4	0.11 (3.1)
6	End plate		—	—	—	—
7	Marking accessories		See pages 5/2 and 5/3			

5240550



Terminal Blocks, Type AB1

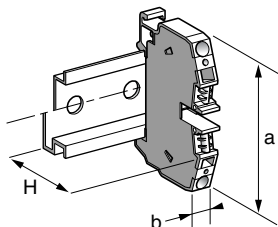
Screw clamp technology

Grounding type

Clip-on mounting on 35 mm rails

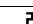
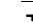

Nominal wire size

10 mm²



AB1TP1035U

Approximate dimensions, in. (mm)

1	Length (a)	2.13 (54)
	Width (b)	0.39 (10)
	Height (H)  rail	2.46 (62.5)
	with  rail	2.17 (55)
	with  rail	2.34 (59.5)


Wire size, mm²

Stranded without cable end	2.5–10
Stranded with cable end	2.5–10
Solid	6–16

Tightening torque

IEC	2.0–2.5 N•m
UL	35 lbf-in

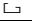

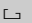
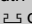
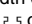
Nominal electrical values

IEC/EN 60947-7-1	800 V / 8 kV / 3–57 A
UL File E164359 CCN XCFR2	16–6 AWG, 600 V
CSA File 702070 Class 6228 01	16–6 AWG, 600 V
VDE, group C	750 Vac, 900 Vdc, 63 A
ATEX Exe II  II 2 GD	10 mm ² , KEMA 02 ATEX 2114 U

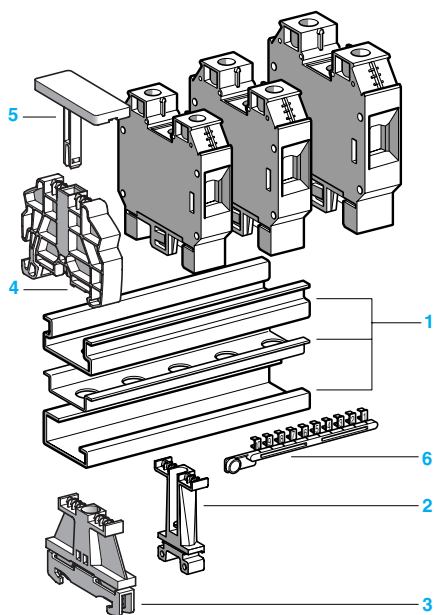
Certifications

See the tables beginning on page 1/12.

Terminal blocks

		No. points	Sold in lots of	Catalog number	Weight oz (g)	
	Green/yellow	2	50	AB1TP1035U	2.01 (57.0)	
Accessories						
2	Plastic end clamp with screw	Width 0.3 in. (7.5 mm) on 	—	100	AB1AB7P32	0.15 (4.2)
		Width 0.3 in. (8 mm) on 	—	100	AB1AB8P35	0.21 (5.9)
3	Metal end clamp with screw	Width 0.3 in. (7.5 mm) on 	—	100	AB1AB10M32	0.23 (6.5)
		Width 0.3 in. (8 mm) on 	—	100	AB1AB8M35	0.52 (14.8)
4	Clip-on plastic end clamp	Width 0.3 in. (8 mm) on 	—	100	AB1AB8R35	0.21 (5.9)
5	Marker tag holder for clip-on end clamp		—	10	AB1SB4	0.11 (3.1)
6	Marking accessories				See pages 5/2 and 5/3	

524050



Terminal Blocks, Type AB1

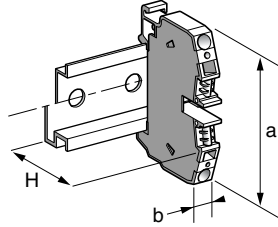
Screw clamp technology

Grounding type

Clip-on mounting on 35 mm rails

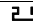

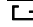
Nominal wire size

16 mm²



AB1TP1635U

Approximate dimensions, in. (mm)

1	Length (a)	2.26 (57.5)
	Width (b)	0.47 (12)
	Height (H)  rail	2.56 (65)
	with  rail	2.26 (57.5)
	with  rail	2.44 (62)


Wire size, mm²

Stranded without cable end	4–16
Stranded with cable end	4–16
Solid	10–25

Tightening torque

IEC	2.5–3.0 N•m
UL	35 lbf-in

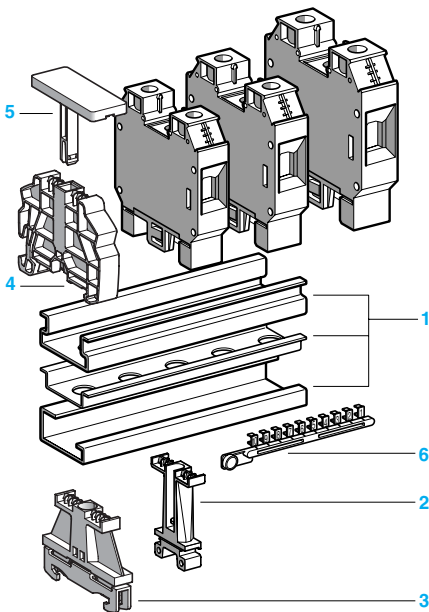
Nominal electrical values

IEC/EN 60947-7-1	800 V / 8 kV / 3–76 A
UL File E164359 CCN XCFR2	12–4 AWG, 600 V
CSA File 702070 Class 6228 01	14–4 AWG, 600 V
VDE, group C	750 Vac, 900 Vdc, 85 A
ATEX Exe II  II 2 GD	16 mm ² , KEMA 02 ATEX 2114 U

Certifications

See the tables beginning on page 1/12.

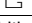
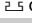
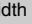
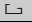
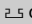

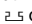

5240650



Terminal blocks

	No. points	Sold in lots of	Catalog number	Weight oz (g)
Green/yellow	2	50	AB1TP1635U	2.68 (76.0)

Accessories

2	Plastic end clamp with screw	Width 0.3 in. (7.5 mm) on 	—	100	AB1AB7P32	0.15 (4.2)
		Width 0.3 in. (8 mm) on  or 	—	100	AB1AB8P35	0.21 (5.9)
3	Metal end clamp with screw	Width 0.3 in. (7.5 mm) on 	—	100	AB1AB10M32	0.23 (6.5)
		Width 0.3 in. (8 mm) on  or 	—	100	AB1AB8M35	0.52 (14.8)
4	Clip-on plastic end clamp	Width 0.3 in. (8 mm) on  or 	—	100	AB1AB8R35	0.21 (5.9)
5	Marker tag holder for clip-on end clamp		—	10	AB1SB4	0.11 (3.1)
6	Marking accessories		See pages 5/2 and 5/3			

Terminal Blocks, Type AB1

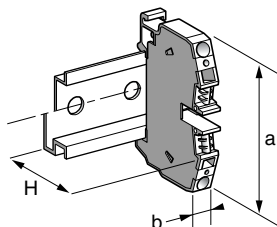
Screw clamp technology

Grounding type

Clip-on mounting on 35 mm \mathcal{L} \mathcal{L} rails

Nominal wire size

35 mm²



AB1TP3535U

Approximate dimensions, in. (mm)

1	Length (a)	2.48 (63)
	Width (b)	0.63 (16)
	Height (H) \mathcal{L} rail	2.96 (75.1)
	with \mathcal{L} rail	2.66 (67.6)
	with \mathcal{L} rail	2.72 (69)

Wire size, mm²

Stranded without cable end	10–35
Stranded with cable end	10–35
Solid	10–50

Tightening torque

IEC	2.5–3.0 N•m
UL	50 lbf-in

Nominal electrical values

IEC/EN 60947-7-1	800 V / 8 kV / 3–125 A
UL File E164359 CCN XCFR2	10–2 AWG, 600 V
CSA File 702070 Class 6228 01	10–2 AWG, 600 V
VDE, group C	750 Vac, 900 Vdc, 138 A
ATEX Exe II \mathcal{L} II 2 GD	35 mm ² , KEMA 02 ATEX 2114 U

Certifications

See the tables beginning on page 1/12.

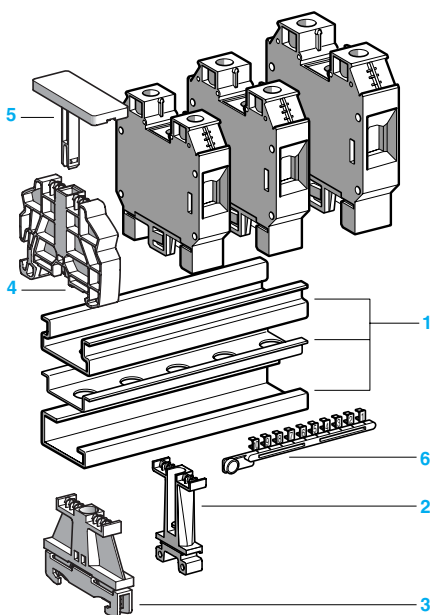
Terminal blocks

	No. points	Sold in lots of	Catalog number	Weight oz (g)
Green/yellow	2	20	AB1TP3535U	4.48 (127.0)

Accessories

2	Plastic end clamp with screw	Width 0.3 in. (7.5 mm) on \mathcal{L}	—	100	AB1AB7P32	0.15 (4.2)
		Width 0.3 in. (8 mm) on \mathcal{L} or \mathcal{L}	—	100	AB1AB8P35	0.21 (5.9)
3	Metal end clamp with screw	Width 0.3 in. (7.5 mm) on \mathcal{L}	—	100	AB1AB10M32	0.23 (6.5)
		Width 0.3 in. (8 mm) on \mathcal{L} or \mathcal{L}	—	100	AB1AB8M35	0.52 (14.8)
4	Clip-on plastic end clamp	Width 0.3 in. (8 mm) on \mathcal{L} or \mathcal{L}	—	100	AB1AB8R35	0.21 (5.9)
5	Marker tag holder for clip-on end clamp		—	10	AB1SB4	0.11 (3.1)
6	Marking accessories		See pages 5/2 and 5/3			

5214050



Terminal Blocks, Type AB1

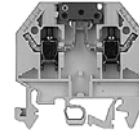
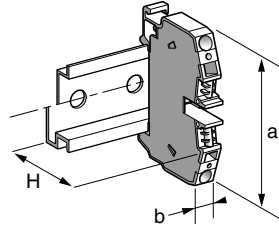
Screw clamp technology

Blade disconnect type

Clip-on mounting on 35 mm \mathcal{E} 5 rails

Nominal wire size

4 mm²



Approximate dimensions, in. (mm)	Length (a)
	Width (b)
Height (H)	\mathcal{E} 5 rail
	\mathcal{E} rail
	\mathcal{E} rail
Wire size, mm ²	Stranded without cable end
	Stranded with cable end
	Solid
Tightening torque	IEC
	UL
Nominal electrical values	IEC/EN 60947-7-1
	UL File E164359 CCN XCFR2
	CSA File 702070 Class 6228 01
	UTE, category C
	VDE, group C

AB1SC435U****

1.89 + 0.44 (48 + 11.2) for open switch

0.24 (6)

2.24 (57)

1.95 (49.5)

2.13 (54)

0.5–4

0.5–2.5

0.5–6

0.5–0.7 N•m

8.0 lbf-in

800 V / 8 kV / 3–20 A

22–10 AWG, 600 V, 20 A

22–10 AWG, 600 V, 20 A

500 Vac

750 Vac, 900 Vdc, 20 A

See the tables beginning on page 1/12.

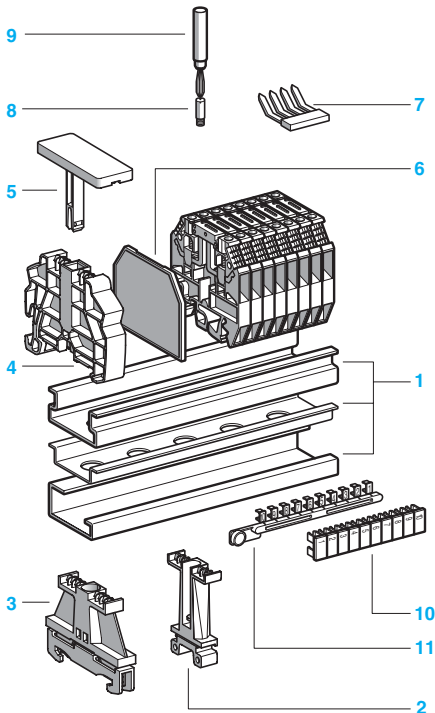
Certifications

Terminal blocks

		No. points	Sold in lots of	Catalog number	Weight oz (g)
	Gray	2	100	AB1SC435U	0.42 (12.0)
	Blue	2	100	AB1SC435UBL	0.42 (12.0)
With 2 test sockets	Gray	2	100	AB1SC435U2PT	0.42 (12.0)
	Blue	2	100	AB1SC435U2PTBL	0.42 (12.0)

Accessories

2	Plastic end clamp with screw	Width 0.3 in. (7.5 mm) on \mathcal{E}	—	100	AB1AB7P32	0.15 (4.2)
		Width 0.3 in. (8 mm) on \mathcal{E} 5 or \mathcal{E}	—	100	AB1AB8P35	0.21 (5.9)
3	Metal end clamp with screw	Width 0.4 in. (10 mm) on \mathcal{E}	—	100	AB1AB10M32	0.23 (6.5)
		Width 0.3 in. (8 mm) on \mathcal{E} 5 or \mathcal{E}	—	100	AB1AB8M35	0.52 (14.8)
4	Clip-on plastic end clamp	Width 0.3 in. (8 mm) on \mathcal{E} 5 or \mathcal{E}	—	100	AB1AB8R35	0.21 (5.9)
5	Marker tag holder for clip-on plastic end clamp		—	10	AB1SB4	0.11 (3.1)
6	End plate	Gray, thickness 0.06 in. (1.5 mm)	—	10	AB1PS4	0.05 (1.5)
7	Jumpers	2-pole	2	100	AB1CC42SC	0.032 (0.9)
		3-pole	3	100	AB1CC43SC	0.05 (1.4)
		4-pole	4	100	AB1CC44SC	0.07 (1.9)
		10-pole	10	10	AB1CC410SC	0.17 (4.8)
8	Socket for test plug,	\varnothing 0.09 in. (2.3 mm)	—	50	AB1A4	0.018 (0.5)
9	Test plug	Red	—	50	AB1AT1	0.06 (1.7)
10/11	Marking accessories		See pages 5/2 and 5/3.			



Terminal Blocks, Type AB1

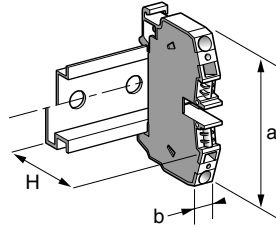
Screw clamp technology

Component, for diode or resistor

Clip-on mounting on 35 mm $\Sigma 5$ rails

Nominal wire size

2.5 mm²



AB1D11435

Approximate dimensions, in. (mm)

1	Length (a)	1.92 (49)
	Width (b)	0.47 (12)
	Height (H) $\Sigma 5$ rail	2.58 (65.5)
	with Σ rail	2.28 (58)
		2.46 (62.5)
Wire size, mm ²	Stranded without cable end	0.5–2.5
	Stranded with cable end	0.5–1.5
	Solid	0.5–2.5
Tightening torque	IEC	0.5–0.7 N•m
	UL	8.0 lbf-in
Nominal electrical values	IEC/EN 60947-7-2	800 V / 8 kV / 3 -26 A
	UL File E164359	22–14 AWG, 300 V, 6 A
	CCN XCFR2	
	UTE, category C	125 Vac, 125 Vdc
	VDE, group C	750 Vac, 900 Vdc, 24A

Certifications

See the tables beginning on page 1/12.

Terminal blocks, fixed carrier

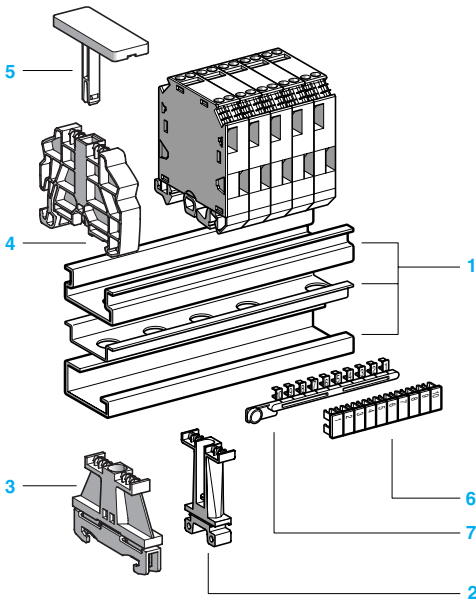
		No. points	Sold in lots of	Catalog number	Weight oz (g)
2 I, 2 O	Gray	2/2	50	AB1D11435U	0.88 (25.0)

Accessories

2	Plastic end clamp with screw	Width 0.3 in. (7.5 mm) on Σ	—	100	AB1AB7P32	0.15 (4.2)
		Width 0.3 in. (8 mm) on $\Sigma 5$ or Σ	—	100	AB1AB8P35	0.21 (5.9)
3	Metal end clamp with screw	Width 0.4 in. (10 mm) on Σ	—	100	AB1AB10M32	0.23 (6.5)
		Width 0.3 in. (8 mm) on $\Sigma 5$ or Σ	—	100	AB1AB8M35	0.52 (14.8)
4	Clip-on plastic end clamp	Width 0.3 in. (8 mm) on $\Sigma 5$ or Σ	—	100	AB1AB8R35	0.21 (5.9)
5	Marker tag holder for clip-on plastic end clamp		—	10	AB1SB4	0.11 (3.1)

6/7 Marking accessories

See pages 5/2 and 5/3.



Terminal Blocks, Type AB1

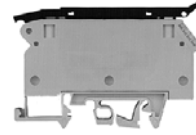
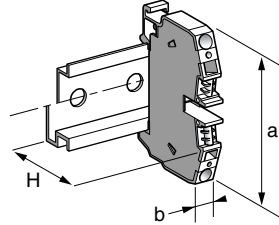
Screw clamp technology

Fused disconnect

Clip-on mounting on 35 mm 2.5 3.5 4 rails

Nominal wire size

4 mm²



AB1FUSE435U***

Approximate dimensions, in. (mm)

Length (a)

3.04 (77.2)

Width (b)

...U5X ...U6X

Height (H) with 2.5 rail

2.44 (62)

with 3.5 rail

2.15 (54.5)

with 4 rail

2.32 (59)

Wire size, mm²

Stranded without cable end

0.5–4

Stranded with cable end

0.5–2.5

Solid

0.5–6

Tightening torque

IEC

0.5–0.7 N•m

UL

7.0 lbf-in

Nominal electrical values

IEC/EN 60947-7-1

800 V / 8 kV / 3 A 6.3 A 10 A

UL File E164359
CCN XCFR2

22–10 AWG, 600 V 15 A 15 A

CSA File 702070
Class 6228 01

20–10 AWG, 600 V 6.3 A 10 A

UTE, category C

500 Vac

VDE, group C

750 Vac, 900 Vdc 6.3 A 10 A

Certifications

See the tables beginning on page 1/12.

Terminal blocks

5 x 20 or 5 x 25 fuse (gray)

With 5-12 V LED (red)
(2.3–7 mA)

No. points	Sold in lots of	Catalog number	Weight oz (g)
—	50	AB1FUSE435U5X	0.56 (16.0)
—	50	AB1FUSE435U5XJ	0.56 (16.0)
—	50	AB1FUSE435U5XB	0.56 (16.0)
—	50	AB1FUSE435U5XM	0.56 (16.0)
—	50	AB1FUSE435U6X	0.88 (25.0)
—	50	AB1FUSE435U6XJ	0.88 (25.0)
—	50	AB1FUSE435U6XB	0.88 (25.0)
—	50	AB1FUSE435U6XM	0.88 (25.0)

With 12-24 V LED (red)
(2.8–6.2 mA)

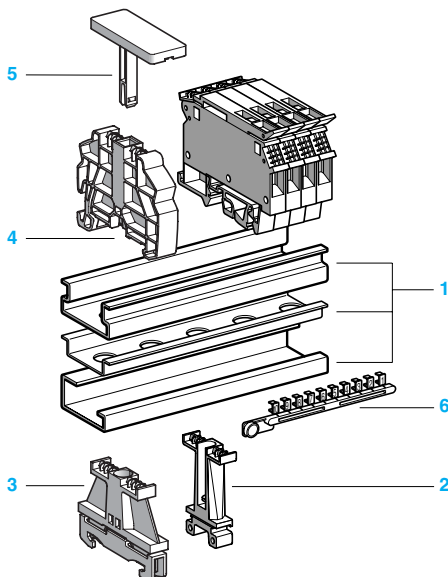
With 110-250 V neon
(0.13–0.55 mA)

6.3 x 32 fuse (gray)

With 5-12 V LED (red)
(2.3–7 mA)

With 12-24 V LED (red)
(2.8–6.2 mA)

With 110-250 V neon
(0.13–0.55 mA)



Accessories

2 Plastic end clamp with screw

Width 0.3 in. (7.5 mm) on 4 rail

— 100 AB1AB7P32 0.15 (4.2)

Width 0.3 in. (8 mm) on 2.5 or 3.5 rail

— 100 AB1AB8P35 0.21 (5.9)

3 Metal end clamp with screw

Width 0.4 in. (10 mm) on 4 rail

— 100 AB1AB10M32 0.23 (6.5)

Width 0.3 in. (8 mm) on 2.5 or 3.5 rail

— 100 AB1AB8M35 0.52 (14.8)

4 Clip-on plastic end clamp

Width 0.3 in. (8 mm) on 2.5 or 3.5 rail

— 100 AB1AB8R35 0.21 (5.9)

5 Marker tag holder for clip-on plastic end clamp

— 10 AB1SB4 0.11 (3.1)

6 Marking accessories

See pages 5/2 and 5/3.

Terminal Blocks, Type AB1

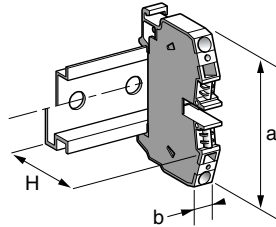
Screw clamp technology

Disconnect (removable carrier), for diode, resistor, or cylindrical fuse

Clip-on mounting on 35 mm \mathcal{L} rails

Nominal wire size

4 mm²



AB1SF435U

Approximate dimensions, in. (mm)

1	Length (a)	1.89 (48)
	Width (b)	0.24 (6)
	Height (H) \mathcal{L} rail	2.24 (57) + 0.75 (19) for carrier
	with \mathcal{L} rail	1.95 (49.5) + 0.75 (19) for carrier
Wire size, mm ²	Stranded w/o cable end	0.5–4
	Stranded + cable end	0.5–2.5
	Solid	0.5–6
Tightening torque	IEC	0.5–0.7 N*m
	UL	8.0 lbf-in
Nominal electrical values (1) (2)	IEC/EN 60947-7-2	800 V / 8 kV / 3 -6.3 A
	UL File E164359	22–10 AWG, 300 V, 10 A
	CCN XCFR2	
	CSA File 702070 Class 6228 01	22–10 AWG, 250 V, 6.3 A
Certifications	UTE, category C	500 Vac, 500 Vdc
	VDE, group C	750 Vac, 900 Vdc, 10 A
		See the tables beginning on page 1/12.

Terminal blocks, removable carrier (3)

		No. points	Sold in lots of	Catalog number	Weight oz (g)	
10	Removable carrier	Gray	2	100	AB1SF435U	0.32 (9.0)
		For diode or resistor	—	100	AB1SV1	0.16 (4.5)
		With diode 1N4007.1	—	100	AB1SV2	0.16 (4.5)
	Removable carrier (for 5 x 20 fuse)	Fuse only	—	100	AB1SF520	0.16 (4.5)
	With 24 V red LED	—	100	AB1SF520B	0.16 (4.5)	
	With 220 V red LED	—	100	AB1SF520M	0.16 (4.5)	
Removable and pivoting carrier	For 5 x 20 fuse	—	100	AB1SF520D	0.21 (6.0)	
	For 6.3 x 32 fuse	—	100	AB1SF6332D	0.29 (8.2)	

Accessories

2	Plastic end clamp with screw	Width 0.3 in. (7.5 mm) on \mathcal{L}	—	100	AB1AB7P32	0.15 (4.20)
		Width 0.3 in. (8 mm) on \mathcal{L} or \mathcal{L}	—	100	AB1AB8P35	0.21 (5.9)
3	Metal end clamp with screw	Width 0.4 in. (10 mm) on \mathcal{L}	—	100	AB1AB10M32	0.23 (6.5)
		Width 0.3 in. (8 mm) on \mathcal{L} or \mathcal{L}	—	100	AB1AB8M35	0.52 (14.8)
4	Clip-on plastic end clamp (4)		—	100	AB1AB8R35	0.21 (5.9)
5	Marker tag holder for clip-on plastic end clamp		—	10	AB1SB4	0.11 (3.1)
6	End plate	Gray, thickness 0.06 in. (1.5 mm)	—	50	AB1PS4	0.05 (1.5)
7	Test plug	Red	—	50	AB1AT1	0.07 (1.9)
8/9	Marking accessories		See pages 5/2 and 5/3.			

Carrier characteristics

Nominal voltage (Power loss 1.5 W)	Position of terminal block end	
	end	juxtaposed
250 V	6.3 A	4 A

Blown fuse indicator characteristics

Catalog number	Nominal voltage	Current consumption
AB1SF520B	24 V	10.3 mA
AB1SF520M	220–250 V	0.3 mA

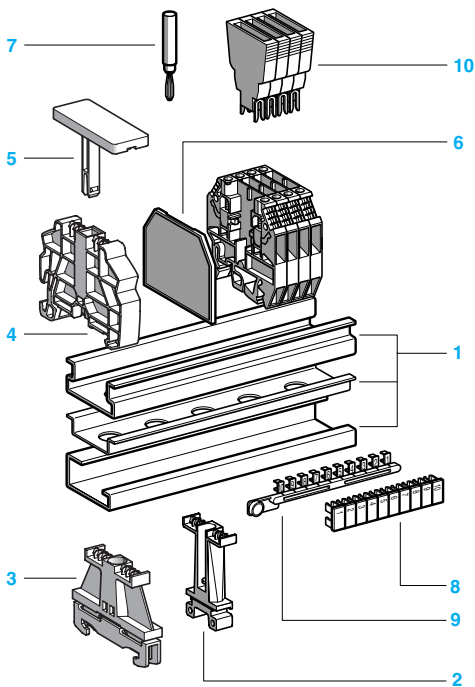


Table Footnotes:

- (1) The voltage/current carrying capacity is determined by the component (fuse and/or diode) used.
- (2) Repetitive peak reverse voltage for diodes is 1000 V.
- (3) Fuses and diodes not included, except for AB1SV2.
- (4) Width 0.3 in. (8 mm) on \mathcal{L} or \mathcal{L} .

Terminal Blocks, Type AB1

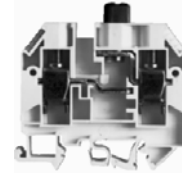
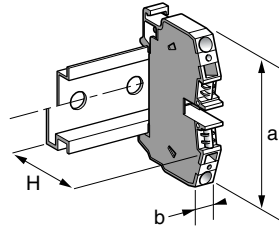
Screw clamp technology

Fixed carrier, for cylindrical fuse

Clip-on mounting on 35 mm ± 0.5 rails

Nominal wire size

10 mm²



AB1FU10•35U**

Approximate dimensions, in. (mm)

1	Length (a)	2.56 (65)
	Width (b)	0.47 (12)
	Height (H)	2.60 (66) + 0.43 (10.8) for fuse cap
with	± 0.5 rail	2.30 (58.5) + 0.43 (10.8) for fuse cap
	± 0.5 rail	2.48 (63) + 0.43 (10.8) for fuse cap
	± 0.5 rail	2.48 (63) + 0.43 (10.8) for fuse cap
Wire size, mm ²	Stranded w/o cable end	1–10
	Stranded + cable end	1–10
	Solid	10–16
Tightening torque	IEC	2.0–2.5 N•m
	UL	35 lbf-in
Nominal electrical values (1)	IEC/EN 60947-7-1	500 V / 6 kV / 3 A
	UL (2) File E164359 CCN XCFR2	22–6 AWG, 600 V, 15 A
	CSA (2) File 702070 Class 6228 01	16–6 AWG, 600 V, 15 A
Certifications	UTE, category C	400 Vac, 250 Vdc, 10 A
	VDE, group C (2)	500 Vac, 600 Vdc, 15 A
		See the tables beginning on page 1/12.

Certifications

Terminal blocks (3)



	No. points	Sold in lots of	Catalog Number	Weight oz (g)
5 x 20 fuse gray	—	50	Without indicator lamp	AB1FU10135U 1.38 (39.0)
			With 28 V yellow LED	AB1FU10135UB 1.38 (39.0)
			With 250 V red LED	AB1FU10135UU 1.38 (39.0)
5 x 25 fuse, gray, without indicator lamp	—	50	AB1FU10235U	1.38 (39.0)
5 x 30 fuse, gray, without indicator lamp	—	50	AB1FU10335U	1.38 (39.0)
6.3 x 32 fuse gray	—	50	Without indicator lamp	AB1FU10435U 1.38 (39.0)
			With 28 V yellow LED	AB1FU10435UB 1.38 (39.0)
			With 250 V red Neon	AB1FU10435UFS 1.38 (39.0)

Accessories

2	Plastic end clamp with screw	Width 0.3 in. (7.5 mm) on ± 0.5	—	100	AB1AB7P32	0.15 (4.2)
		Width 0.3 in. (8 mm) on ± 0.5 or ± 0.5	—	100	AB1AB8P35	0.21 (5.9)
3	Metal end clamp with screw	Width 0.4 in. (10 mm) on ± 0.5	—	100	AB1AB10M32	0.23 (6.5)
		Width 0.3 in. (8 mm) on ± 0.5 or ± 0.5	—	100	AB1AB8M35	0.52 (14.8)
4	Clip-on plastic end clamp	Width 0.3 in. (8 mm) on ± 0.5 or ± 0.5	—	100	AB1AB8R35	0.21 (5.9)
5	Marker tag holder for clip-on plastic end clamp		—	10	AB1SB4	0.11 (3.1)
6	End plate gray, thickness 0.08 in. (2 mm)		—	50	AB1TF	0.17 (4.8)
7	Jumpers with screws	2 poles (non-insulated)	2	50	AB1BF2	0.17 (4.7)
		30 poles (non-insulated)	30	10	AB1BF	0.44 (12.5)
8/9	Marking accessories					See pages 5/2 and 5/3.

(1) Voltage and current are determined by the fuse used.

(2) Nominal electrical values according to the type of fuse used:

Nominal electrical values	UL	VDE	CSA
Current consumption:	28 V	28 V	28 V
24 mA	AB1FU10435UB		
	AB1FU10135UB		
Current consumption:	150 V	110 -500 V	500 V
0.16 -0.8 mA	AB1FU10435UFS		
	AB1FU10135UU		

(3) Fuses not included.

Terminal Blocks, Type AB1

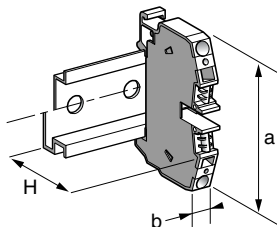
Screw clamp technology

Screw-clip type

Clip-on mounting on 35 mm $\frac{25}{8}$ rails

Nominal wire size

4 mm²



AB1F•35U

Approximate dimensions, in. (mm)

1	Length (a)	
	Width (b)	
	Height (H)	$\frac{25}{8}$ rail

with $\frac{25}{8}$ rail

with $\frac{25}{8}$ rail

with $\frac{25}{8}$ rail

with $\frac{25}{8}$ rail

with $\frac{25}{8}$ rail

with $\frac{25}{8}$ rail

with $\frac{25}{8}$ rail

with $\frac{25}{8}$ rail

with $\frac{25}{8}$ rail

with $\frac{25}{8}$ rail

with $\frac{25}{8}$ rail

with $\frac{25}{8}$ rail

with $\frac{25}{8}$ rail

with $\frac{25}{8}$ rail

with $\frac{25}{8}$ rail

with $\frac{25}{8}$ rail

with $\frac{25}{8}$ rail

with $\frac{25}{8}$ rail

with $\frac{25}{8}$ rail

with $\frac{25}{8}$ rail

with $\frac{25}{8}$ rail

with $\frac{25}{8}$ rail

with $\frac{25}{8}$ rail

with $\frac{25}{8}$ rail

with $\frac{25}{8}$ rail

with $\frac{25}{8}$ rail

with $\frac{25}{8}$ rail

with $\frac{25}{8}$ rail

with $\frac{25}{8}$ rail

with $\frac{25}{8}$ rail

with $\frac{25}{8}$ rail

with $\frac{25}{8}$ rail

with $\frac{25}{8}$ rail

with $\frac{25}{8}$ rail

with $\frac{25}{8}$ rail

with $\frac{25}{8}$ rail

with $\frac{25}{8}$ rail

with $\frac{25}{8}$ rail

with $\frac{25}{8}$ rail

with $\frac{25}{8}$ rail

with $\frac{25}{8}$ rail

with $\frac{25}{8}$ rail

with $\frac{25}{8}$ rail

with $\frac{25}{8}$ rail

with $\frac{25}{8}$ rail

with $\frac{25}{8}$ rail

with $\frac{25}{8}$ rail

with $\frac{25}{8}$ rail

with $\frac{25}{8}$ rail

with $\frac{25}{8}$ rail

with $\frac{25}{8}$ rail

with $\frac{25}{8}$ rail

AB1FV AB1FC

1.89 (48) 2.68 (68)

0.24 (6)

2.30 (58.5) 2.62 (66.5)

1.93 (49)

2.13 (54)

0.5–4 (screw)

0.5–2.5 [3 clips, 0.25 x 0.03 (6.3 x 0.8)]

0.5–1.5 [6 clips, 0.11 x 0.03 (2.8 x 0.8)]

0.5–6

0.5–0.7 N•m

4.0 lbf-in

800 V / 8 kV / 3–20 A

22–12 AWG, 300 V, 10 A

22–12 AWG, 300 V, 10 A

22–12 AWG, 300 V, 10 A

400 Vac, 250 Vdc

750 Vac, 900 Vdc, 20 A

See the tables beginning on page 1/12.

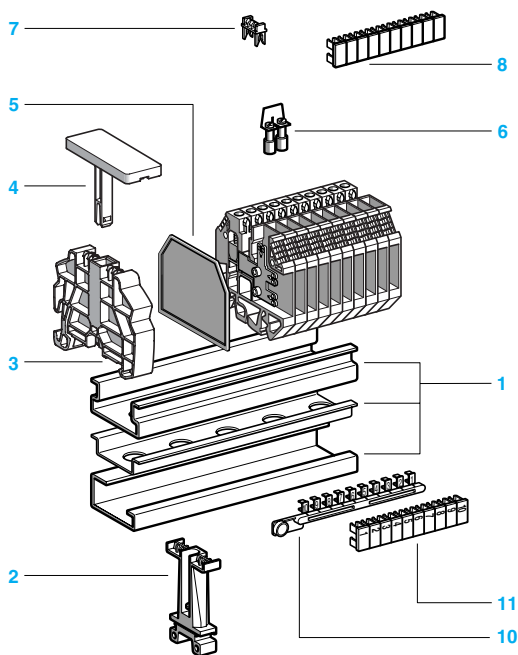
Certifications

Terminal blocks

	No. points	Sold in lots of	Catalog number	Weight oz (g)
Screw-clip, top and side access, gray	—	100	AB1FV135U	0.41 (11.5)
Screw-clip, top access, gray	—	100	AB1FC335U	0.41 (11.5)
Clip-clip, top access, gray	—	100	AB1FF235U	0.41 (11.5)

Accessories

2	Plastic end clamp with screw	Width 0.3 in. (7.5 mm) on $\frac{25}{8}$	—	100	AB1AB7P32	0.15 (4.2)
		Width 0.3 in. (8 mm) on $\frac{25}{8}$ or $\frac{25}{8}$	—	100	AB1AB8P35	0.21 (5.9)
3	Clip-on plastic end clamp	Width 0.3 in. (8 mm) on $\frac{25}{8}$ or $\frac{25}{8}$	—	100	AB1AB8R35	0.21 (5.9)
4	Marker tag holder for clip-on plastic end clamp		—	10	AB1SB4	0.11 (3.1)
5	End plate thickness 0.06 in. (1.5 mm)	AB1FV	—	50	AB1TC01	0.09 (2.5)
		AB1FC	—	50	AB1TC3	0.09 (2.6)
		AB1FF	—	50	AB1TC02	0.09 (2.6)
6	Jumpers	Non-insulated	—	10	AB1AL4	5.11 (145.0)
		Insulated	2	10	AB1ALN42	0.06 (1.7)
7	Protective cover (single-pole link)		—	100	AB1CA4	0.004 (0.1)
8	Protective cover (10-pole link)		—	50	AB1CA410ET	0.04 (1.0)
10/11	Marking accessories		See pages 5/2 and 5/3.			



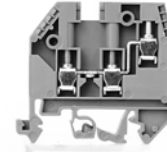
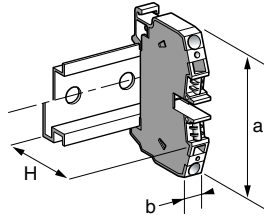
Terminal Blocks, Type AB1

Screw clamp technology
Double deck, multi-pole

Clip-on mounting on 35 mm \mathcal{L} 5 \mathcal{L} rails

Nominal wire size

4 mm²



AB1ETN•35U

Approximate dimensions, in. (mm)		ETN235 / 435	ETN335	
1	Length (a)	2.19 (55.6)	1.88 (47.8)	
	Width (b)	0.24 (6)		
	Height (H)	\mathcal{L} 5 rail	2.20 (56)	
		\mathcal{L} rail	1.91 (48.5)	
Wire size, mm ²	Stranded without cable end	0.5–4		
	Stranded with cable end	0.5–2.5		
	Solid	0.5–6		
Tightening torque	IEC	0.5–0.7 N•m		
	UL	6.0 lbf-in		
Nominal electrical values	IEC/EN 60947-7-1	800 V / 8 kV / 3–32 A		
	UL	File E164359 CCN XCFR2	22–10 AWG, 300 V, 30 A	
	CSA	File 702070 Class 6228 01	20–10 AWG, 300 V, 10 A	
	UTE, category C		400 Vac, 250 Vdc	
	VDE, group C		380 Vac, 450 Vdc, 34 A	
4 mm ²	ATEX Exe II II 2 GD:			
	AB1ETN235U	275 V, 22 A, KEMA 02 ATEX 2114 U		
	AB1ETN335U	420 V, 30 A, KEMA 02 ATEX 2114 U		
	AB1ETN435U	420 V, 29 / 30 A, KEMA 02 ATEX 2114 U		
	AB1ETNTP43U	KEMA 02 ATEX 2114 U		

Certifications

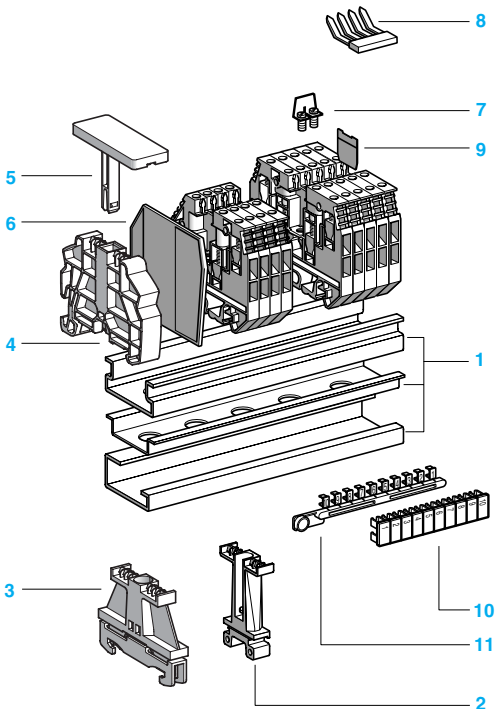
Terminal blocks

		No. points	Sold in lots of	Catalog Number	Weight oz (g)
2 I, 2 O	Gray	2/2	100	AB1ETN235U	0.53 (15.1)
3 I/O	Gray	3	100	AB1ETN335U	0.53 (15.1)
4 I/O	Gray	4	100	AB1ETN435U	0.53 (15.1)
With grounding	Green/Yellow	4	100	AB1ETNTP435U	0.56 (16.0)

Accessories

2	Plastic end clamp with screw	Width 0.3 in. (7.5 mm) on \mathcal{L}	—	100	AB1AB7P32	0.15 (4.2)
		Width 0.3 in. (8 mm) on \mathcal{L} 5 or \mathcal{L}	—	100	AB1AB8P35	0.21 (5.9)
3	Metal end clamp with screw	Width 0.4 in. (10 mm) on \mathcal{L}	—	100	AB1AB10M32	0.23 (6.5)
		Width 0.3 in. (8 mm) on \mathcal{L} 5 or \mathcal{L}	—	100	AB1AB8M35	0.52 (14.8)
4	Clip-on plastic end clamp	Width 0.3 in. (8 mm) on \mathcal{L} 5 or \mathcal{L}	—	100	AB1AB8R35	0.21 (5.9)
5	Marker tag holder for clip-on plastic end clamp		—	10	AB1SB4	0.11 (3.1)
6	End plate, thickness 0.06 in. (1.5 mm)	ETN235 / 435	—	10	AB1TEN4	0.021 (0.6)
		ETN335	—	10	AB1TEN3	0.021 (0.6)
7	Jumper with screws	Non-insulated	ETN235	70	AB1BE	5.11 (145.0)
		Insulated	ETN235	2	AB1BE2	0.032 (0.9)
		(1)	ETN335 / 435	12	AB1ALN412	0.63 (18.0)
8	Insulated jumper			6	AB1CC42RO	0.56 (16.0)
				10	AB1CC410RO	0.56 (16.0)
9	Partition plate (yellow)			1	AB1CJ3	0.011 (0.3)
10/11	Marking accessories					See pages 5/2 and 5/3.

(1) Depending on the size of the terminal block, other jumpers between 2 and 12 points may be available.



Terminal Blocks, Type AB1

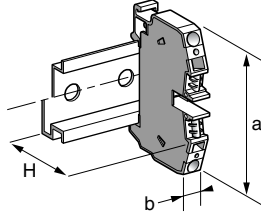
Screw clamp technology

Double deck

Clip-on mounting on 35 mm \square rails

Nominal wire size

4 mm²



1	Approximate dimensions, in. (mm)	Length (a)	2.43 (61.6)
		Width (b)	0.24 (6)
		Height (H)	2.78 (70.5)
Wire size (mm ²)	Stranded	with \square rail	2.48 (63)
		with \square rail	2.66 (67.5)
		with \square rail	2.66 (67.5)
Tightening torque	IEC	0.5–4	0.5–0.7 N•m
	UL	0.5–4	6.0 lbf-in
Nominal electrical values	IEC/EN 60947-7-1	400 V / 6 kV / 3–32 A	22–10 AWG, 300 V, 20 A
	UL File E164359 CCN XCFR2	22–10 AWG, 300 V, 20 A	
	CSA File 702070 Class 6228 01	20–12 AWG, 300 V, 10 A	
	UTE, category C	400 Vac, 250 Vdc	
ATEX Exe II	AB1ET435U	VDE, group C	380 Vac, 450 Vdc, 34 A
		ATEX Exe II	4 mm ² , 275 V, 24 A, KEMA 02 ATEX 2114 U
		ATEX Exe II 2 GD	4 mm ² , KEMA 02 ATEX 2114 U

AB1ET435U****

2.43 (61.6)
0.24 (6)
2.78 (70.5)
2.48 (63)
2.66 (67.5)
0.5–4 (no cable end), 0.5–2.5 (with cable end)
0.5–4
0.5–0.7 N•m
6.0 lbf-in
400 V / 6 kV / 3–32 A
22–10 AWG, 300 V, 20 A
20–12 AWG, 300 V, 10 A
400 Vac, 250 Vdc
380 Vac, 450 Vdc, 34 A
4 mm ² , 275 V, 24 A, KEMA 02 ATEX 2114 U
4 mm ² , KEMA 02 ATEX 2114 U

Certifications

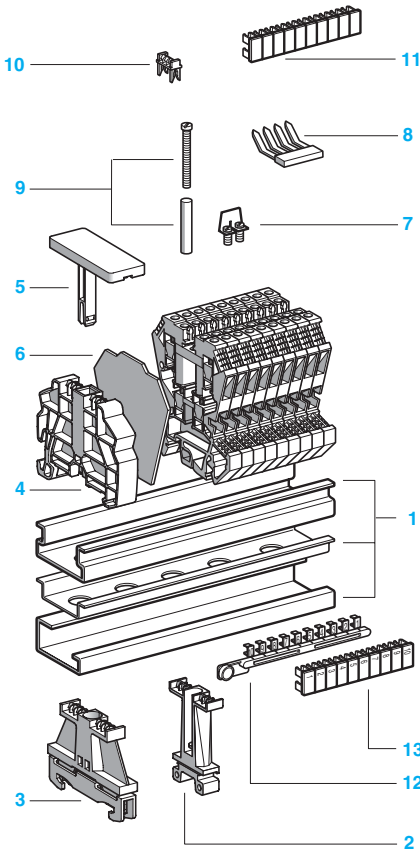
See the tables beginning on page 1/12.

Terminal blocks

	No.	Sold in lots of	Catalog number	Weight oz (g)
2 I, 2 O	2/2	100	AB1ET435U	0.53 (15.1)
4 I/O	4	100	AB1ET435U2	0.53 (15.1)
Grounding type	4	100	AB1ET435UTP	0.53 (15.1)
24 V red LED	4	100	AB1ET435UBRO	0.56 (16.0)
24 V green LED	4	100	AB1ET435UBVE	0.53 (15.1)
24 V red LED	4	100	AB1ET435UBGE	0.53 (15.1)
Diode, uppr-lowr.	4	100	AB1ET435UHBRO	0.53 (15.1)
Diode, lowr-uppr.	4	100	AB1ET435UBHGE	0.56 (16.0)
2 diodes	4	100	AB1ET435U2DRO	0.53 (15.1)

Accessories

2	Plastic end clamp with screw	Width 0.3 in. (7.5 mm) on \square	—	100	AB1AB7P32	0.15 (4.2)
		Width 0.3 in. (8 mm) on \square or \square	—	100	AB1AB8P35	0.21 (5.9)
3	Metal end clamp with screw	Width 0.4 in. (10 mm) on \square	—	100	AB1AB10M32	0.23 (6.5)
		Width 0.3 in. (8 mm) on \square or \square	—	100	AB1AB8M35	0.52 (14.8)
4	Clip-on plastic end clamp	Width 0.3 in. (8 mm) on \square or \square	—	100	AB1AB8R35	0.21 (5.9)
5	Marker tag holder for clip-on end clamp		—	10	AB1SB4	0.11 (3.1)
6	End plate	Gray, thickness 0.06 in. (1.5 mm)	—	50	AB1TE	0.12 (3.5)
	Partition plate	Gray, thickness 0.06 in. (1.5 mm)	—	50	AB1AS4ET	0.12 (3.3)
7	Jumper, non-isolated with screw	2-pole	2	10	AB1BE2	0.032 (0.9)
		70-pole	70	10	AB1BE	5.11 (145.0)
8	Jumper	Lower, 2 poles	2	100	AB1CC42INFRO	0.032 (0.9)
		Lower, 6 poles	6	100	AB1CC46INFRO	0.11 (3.0)
		Upper, 2 poles	2	100	AB1CC42SUPRO	0.032 (0.9)
		Upper, 6 poles	6	100	AB1CC46SUPRO	0.11 (3.0)
9	Jumper between 2 decks		—	50	AB1L2ET	0.09 (2.5)
10	Protective cover (single-pole link)		1	100	AB1CA4	0.004 (0.1)
11	Protective cover (10-pole link)		10	50	AB1CA410ET	0.035 (1.0)
12/13	Marking accessories		See pages 5/2 and 5/3.			



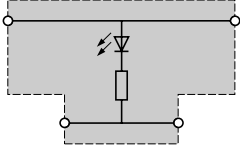
Terminal Blocks, Type AB1

Screw clamp technology
Double deck

Wiring Diagrams

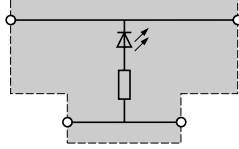
AB1ET435UBRO/BVE

(Resistance = 2.2 k Ω , 0.35 W)



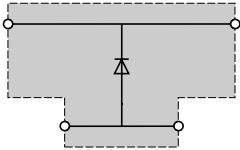
AB1ET435UBGE

(Resistance = 2.2 k Ω , 0.35 W)



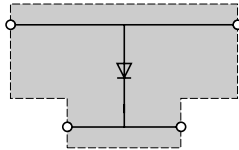
AB1ET435UHBRO

(1 A / 1000 V)



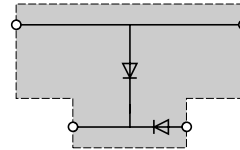
AB1ET435UBHGE

(1 A / 1000 V)



AB1ET435U2DRO

(1 A / 1000 V)



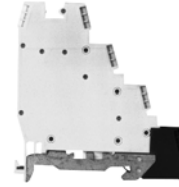
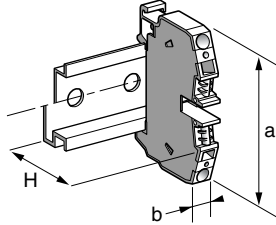
Terminal Blocks, Type AB1

Screw clamp technology
For 3-wire proximity sensors

Clip-on mounting on 35 mm \square rails

Nominal wire size

2.5 mm²



AB1DDP235T**

Approximate dimensions, in. (mm)

1	Length (a)	2.52 (64)
	Width (b)	0.24 (6)
	Height (H)	3.00 (76.1)
	with \square rail	2.70 (68.6)
	with \square rail	—

Wire size, mm²
Stranded without cable end
Stranded with cable end
Solid

0.5–2.5
0.5–1.5
0.5–4

Tightening torque
IEC
UL

0.4–0.6 N·m
8.0 lbf-in

Nominal electrical values (1)
IEC/EN 60947-7-1
UL File E164359 CCN XCFR2
CSA File 702070 Class 6228 01
VDE, group C

250 V / 4 kV / 3–24 A
22–12 AWG, 300 V, 25 A
22–12 AWG, 300 V, 25 A
250 Vac, 300 Vdc, 26 A

See the tables beginning on page 1/12.

Certifications

Terminal blocks (2)

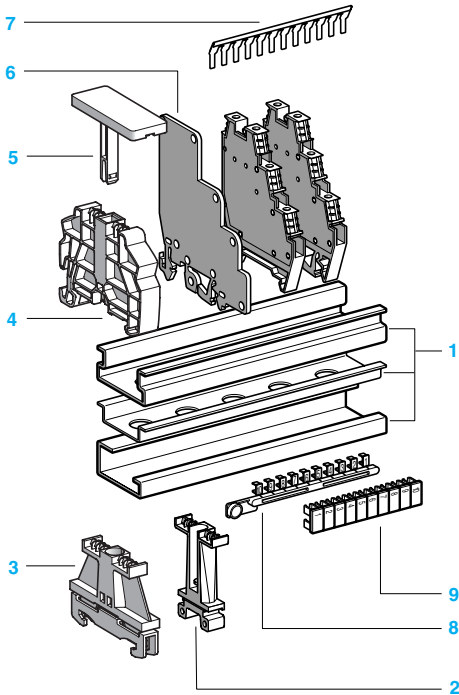
		No. points	Sold in lots of	Catalog number	Weight oz (g)
Without LED	Gray	1	100	AB1DDP235T	0.53 (15.0)
NPN 24 V LED (+) (green)	Gray	1	100	AB1DDP235TLP	0.53 (15.0)
PNP 24V LED (-) (green)	Gray	1	100	AB1DDP235TLM	0.53 (15.0)

Accessories

2	Plastic end clamp with screw	Width 0.3 in. (7.5 mm) on \square	—	—	—	
		Width 0.3 in. (8 mm) on \square or \square	—	100	AB1AB8P35	0.21 (5.9)
3	Metal end clamp with screw	Width 0.4 in. (10 mm) on \square	—	—	—	
		Width 0.3 in. (8 mm) on \square or \square	—	100	AB1AB8M35	0.52 (14.8)
4	Clip-on plastic end clamp	Width 0.3 in. (8 mm) on \square or \square	—	100	AB1AB8R35	0.21 (5.9)
5	Marker tag holder for clip-on plastic end clamp		—	10	AB1SB4	0.11 (3.1)
6	Partition, thickness 0.08 in. (2 mm)	Gray	—	10	AB1ACD2	0.18 (5.0)
7	Insulated jumper	Red	12	10	AB1ALD12R	0.18 (5.0)
		Blue	12	10	AB1ALD12B	0.18 (5.0)
		Red	70	10	AB1ALD100R	6.00 (170.0)
		Blue	70	10	AB1ALD100B	6.00 (170.0)
8/9	Marking accessories				See pages 5/2 and 5/3.	

(1) 24 Vdc with LED.

(2) For recommended operating and connection diagrams, see page 3/31.



Terminal Blocks, Type AB1

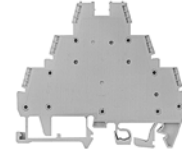
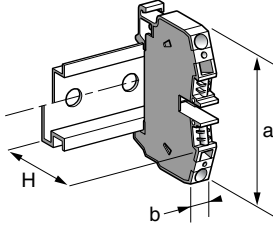
Screw clamp technology

For 3-wire proximity sensors

Clip-on mounting on 35 mm U_5 rails

Nominal wire size

2.5 mm²



AB1ET3235U

Approximate dimensions, in. (mm)

1	Length (a)	3.13 (79.4)
	Width (b)	0.24 (6)
	Height (H) U_5 rail	3.00 (76.1)
	with U_5 rail	2.70 (68.6)
	with U_5 rail	2.88 (73.1)

Wire size, mm ²	Stranded without cable end	0.5–2.5
	Stranded with cable end	0.5–1.5
	Solid	0.5–4

Tightening torque	IEC	0.4–0.6 N·m
	UL	8.0 lbf-in

Nominal electrical values (1)	IEC/EN 60947-7-1	400 V / 6 kV / 3–24 A
	UL File E164359	22–12 AWG, 300 V, 25 A
	CCN XCFR2	
	CSA File 702070	22–12 AWG, 300 V, 25 A
	Class 6228 01	
	VDE, group C	250 Vac, 300 Vdc, 26 A

Certifications

See the tables beginning on page 1/12.

Terminal blocks (2)

	No. points	Sold in lots of	Catalog number	Weight oz (g)
Without LED	1	100	AB1ET3235U	0.39 (11.0)
NPN 24 V LED (+) (green)	—	—	—	—
PNP 24 V LED (-) (green)	—	—	—	—

Accessories

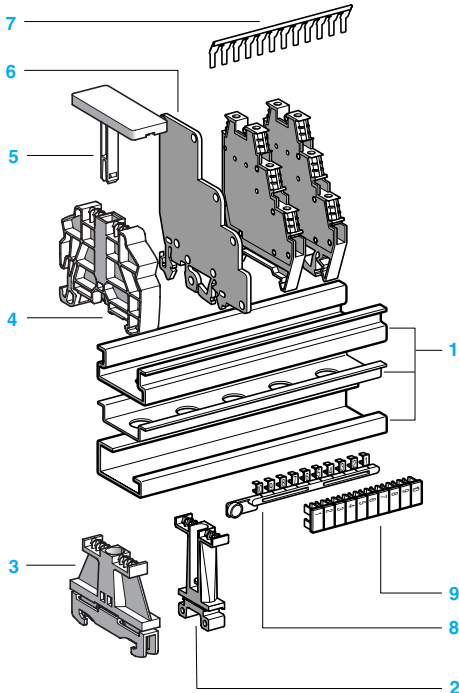
2	Plastic end clamp with screw	Width 0.3 in. (7.5 mm) on U_5	—	100	AB1AB7P32	0.15 (4.2)
		Width 0.3 in. (8 mm) on U_5 or U_7	—	100	AB1AB8P35	0.21 (5.9)
3	Metal end clamp with screw	Width 0.4 in. (10 mm) on U_5	—	100	AB1AB10M32	0.23 (6.5)
		Width 0.3 in. (8 mm) on U_5 or U_7	—	100	AB1AB8M35	0.52 (14.8)
4	Clip-on plastic end clamp	Width 0.3 in. (8 mm) on U_5 or U_7	—	100	AB1AB8R35	0.21 (5.9)
5	Marker tag holder for clip-on plastic end clamp		—	10	AB1SB4	0.11 (3.1)
6	Partition, thickness 0.08 in. (2 mm)	Gray	—	—	—	—
7	Insulated jumper	Red	12	10	AB1ALD12R	0.18 (5.0)
		Blue	12	10	AB1ALD12B	0.18 (5.0)
		Red	70	10	AB1ALD100R	6.00 (170.0)
		Blue	70	10	AB1ALD100B	6.00 (170.0)

8/9 Marking accessories

See pages 5/2 and 5/3.

(1) 24 Vdc with LED.

(2) For recommended operating and connection diagrams, see page 3/31.



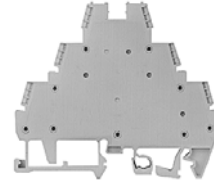
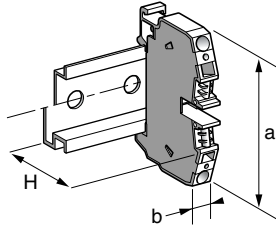
Terminal Blocks, Type AB1

Screw clamp technology
For 3-wire proximity sensors

Clip-on mounting on 35 mm $\frac{25}{8}$ rails

Nominal wire size

2.5 mm²



AB1ET3235UT**

Approximate dimensions, in. (mm)

1	Length (a)	3.13 (79.4)
	Width (b)	0.24 (6)
	Height (H) $\frac{25}{8}$ rail	3.00 (76.1)
	with $\frac{25}{8}$ rail	2.70 (68.6)
	with $\frac{25}{8}$ rail	2.88 (73.1)

Wire size, mm ²	Stranded without cable end	0.5–2.5
	Stranded with cable end	0.5–1.5
	Solid	0.5–4

Tightening torque	IEC	0.4–0.6 N•m
	UL	8.0 lbf-in

Nominal electrical values (1)	IEC/EN 60947-7-1	400 V / 6 kV / 3–24 A
	UL File E164359 CCN XCFR2	22–12 AWG, 300 V, 25 A
	CSA File 702070 Class 6228 01	22–12 AWG, 300 V, 25 A

VDE, group C	250 Vac, 300 Vdc, 26 A
--------------	------------------------

Certifications	See the tables beginning on page 1/12.
----------------	--

Terminal blocks (2)

		No. points	Sold in lots of	Catalog number	Weight oz (g)
Without LED	Gray	1	100	AB1ET3235UT	0.56 (16.0)
NPN 24 V LED (+) (green)	Gray	1	100	AB1ET3235UTLP	0.56 (16.0)
PNP 24 V LED (-) (green)	Gray	1	100	AB1ET3235UTLM	0.56 (16.0)

Accessories

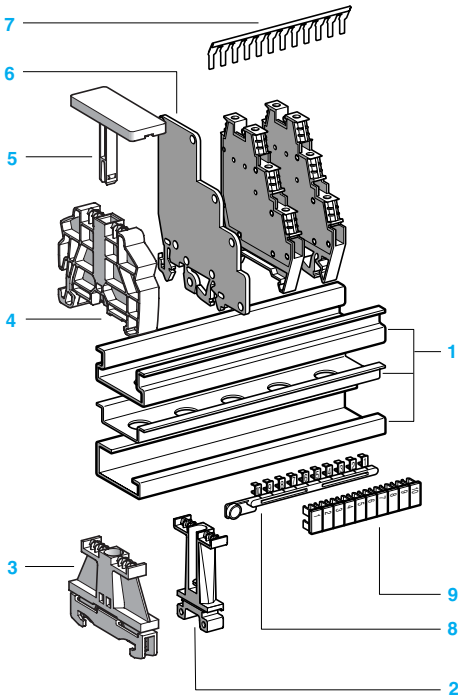
2	Plastic end clamp with screw	Width 0.3 in. (7.5 mm) on $\frac{25}{8}$	—	—	—	
		Width 0.3 in. (8 mm) on $\frac{25}{8}$ or $\frac{25}{8}$	—	100	AB1AB8P35	0.21 (5.9)
3	Metal end clamp with screw	Width 0.4 in. (10 mm) on $\frac{25}{8}$	—	—	—	
		Width 0.3 in. (8 mm) on $\frac{25}{8}$ or $\frac{25}{8}$	—	100	AB1AB8M35	0.52 (14.8)
4	Clip-on plastic end clamp	Width 0.3 in. (8 mm) on $\frac{25}{8}$ or $\frac{25}{8}$	—	100	AB1AB8R35	0.21 (5.9)
5	Marker tag holder for clip-on plastic end clamp		—	10	AB1SB4	0.11 (3.1)
6	Partition, thickness 0.08 in. (2 mm)	Gray	—	—	—	
7	Insulated jumper	Red	12	10	AB1ALD12R	0.18 (5.0)
		Blue	12	10	AB1ALD12B	0.18 (5.0)
		Red	70	10	AB1ALD100R	6.00 (170.0)
		Blue	70	10	AB1ALD100B	6.00 (170.0)

8/9 Marking accessories

See pages 5/2 and 5/3.

(1) 24 Vdc with LED.

(2) For recommended operating and connection diagrams, see page 3/31.



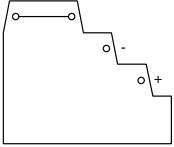
Terminal Blocks, Type AB1

Screw clamp technology

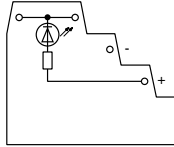
For 3-wire proximity sensors

Wiring diagrams

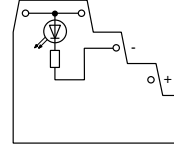
AB1DDP235U



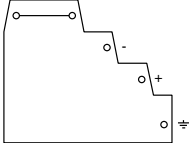
AB1DDP235ULP (Resistance = 2.2 kΩ, 0.35 W)



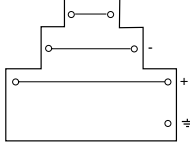
AB1DDP235ULM (Resistance = 2.2 kΩ, 0.35 W)



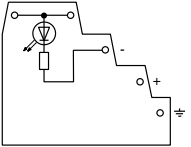
AB1DDP235T



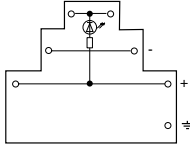
AB1DDP235TPL (Resistance = 2.2 kΩ, 0.35 W)



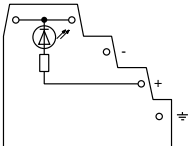
AB1DDP235TLM (Resistance = 2.2 kΩ, 0.35 W)



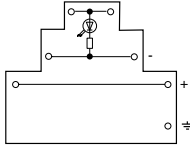
AB1ET3235U (2), AB1ET3235UT



AB1ET3235UTLP (Resistance = 2.2 kΩ, 0.35 W)



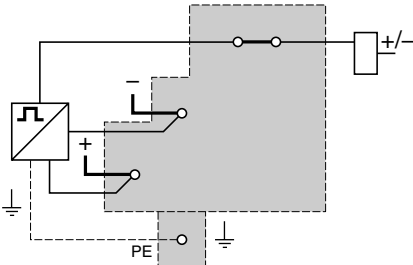
AB1ET3235UTLM (Resistance = 2.2 kΩ, 0.35 W)



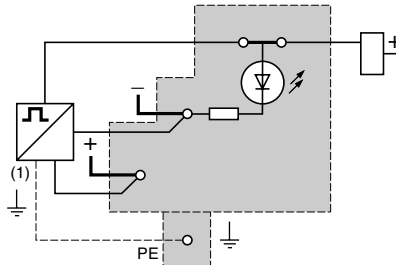
(1) Grounding connection with AB1ET322UT only.

Connections

AB1DDP235U, AB1DDP235T

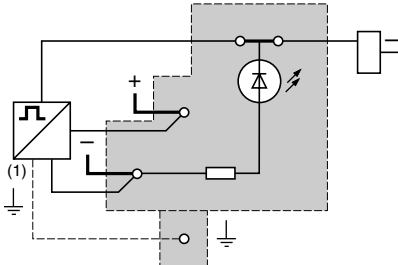


AB1DDP235ULM, AB1DDP235TLM

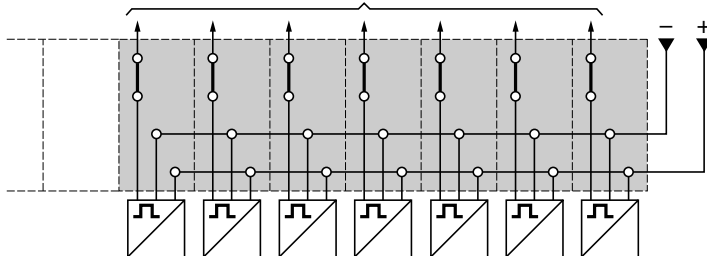


(1) PNP type sensor.

AB1DDP235ULP, AB1DDP235TLP



(1) NPN type sensor.



Terminal Blocks, Type AB1

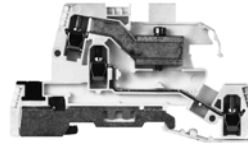
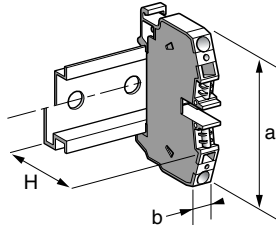
Screw clamp technology

Multifunction

Clip-on mounting on 35 mm $\frac{1\frac{1}{2}}$ rails

Nominal wire size

4 mm²



AB1TRSN435

Approximate dimensions, in. (mm)

1	Length (a)	3.19 (90.3)
	Width (b)	0.21 (6)
	Height (H) $\frac{1\frac{1}{2}}$ rail with $\frac{1\frac{1}{2}}$ rail	2.08 (59) 1.82 (51.5)
Wire size, mm ²	Stranded without cable end	0.5–4
	Stranded with cable end	0.5–2.5
	Solid	0.5–6
Tightening torque	IEC	0.5–0.7 N•m
	UL	6.0 lbf-in
Nominal electrical values	IEC/EN 60947-7-1	400 V / 6 kV / 3–24 A
	UL File E164359 CCN XCFR2	22–10 AWG, 300 V, 20 A
	UTE, category C	250 Vac, 250 Vdc
	VDE, group C	380 Vac, 450 Vdc, 26 A

Certifications

See the tables beginning on page 1/12.

Terminal blocks

	No. points	Sold in lots of	Catalog number	Weight oz (g)
Gray	—	50	AB1TRSN435	0.99 (28.0)
Characteristics	Disconnectable neutral (blue). Grounding (green/yellow) and screw bar clamp			

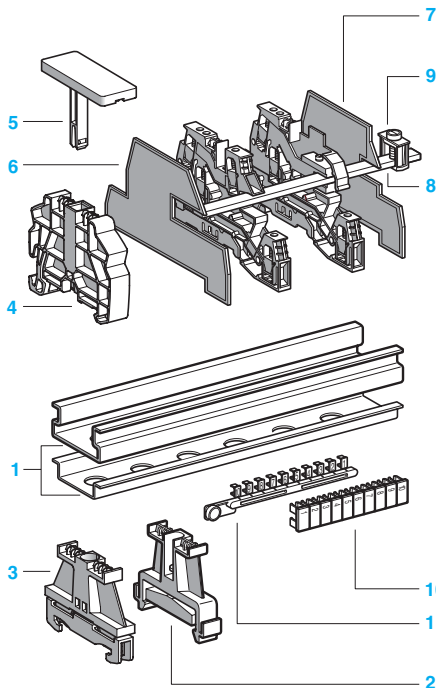
Accessories

2	Plastic end clamp with screw	Width 0.3 in. (8 mm) on $\frac{1\frac{1}{2}}$ or $\frac{1\frac{1}{2}}$	—	100	AB1AB8P35	0.21 (5.9)
3	Metal end clamp with screw	Width 0.3 in. (8 mm) on $\frac{1\frac{1}{2}}$ or $\frac{1\frac{1}{2}}$	—	100	AB1AB8M35	0.52 (14.8)
4	Clip-on plastic end clamp	Width 0.3 in. (8 mm) on $\frac{1\frac{1}{2}}$ or $\frac{1\frac{1}{2}}$	—	100	AB1AB8R35	0.21 (5.9)
5	Marker tag holder for clip-on plastic end clamp		—	10	AB1SB4	0.11 (3.1)
6	End plate	Gray, thickness 0.08 in. (2 mm)	—	25	AB1TM1N	0.13 (3.7)
7	Partition plate	Gray, thickness 0.06 in. (1.5 mm)	—	25	AB1SM1N	0.11 (3.1)
8	Copper neutral bar	length 39.37 in. (1000 mm)	—	10	AB1PC3	10.51 (298.0)
9	Terminal clamp	16 mm ² , pitch 0.33 (8.4)	—	10	AB1EBN16	0.31 (8.9)
		for bar 0.39 x 0.12 (10 x 3)	35 mm ² , pitch 0.67 (17) [dimensions = in. (mm)]	—	10	AB1EBN35

10/11 Marking accessories

See pages 5/2 and 5/3.

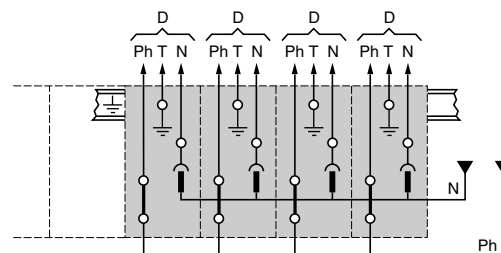
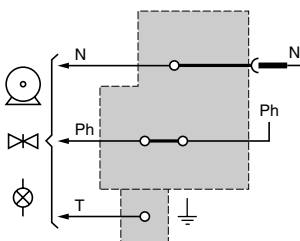
536360



Connections

AB1TRSN435

Example: wiring several AB1TRSN435 terminal blocks



Terminal Blocks, Type AB1

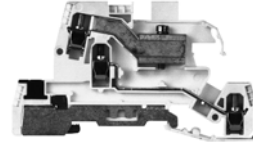
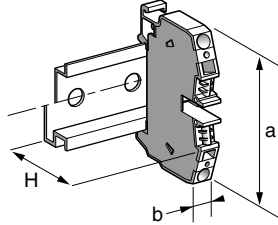
Screw clamp technology

Multifunction

Clip-on mounting on 35 mm $\underline{2.5}$ \curvearrowright rails

Nominal wire size

4 mm²



AB1TRPN435

Approximate dimensions, in. (mm)

1	Length (a)	3.19 (90.3)
	Width (b)	0.21 (6)
	Height (H) $\underline{2.5}$ rail with \curvearrowright rail	2.08 (59) 1.82 (51.5)
Wire size, mm ²	Stranded without cable end	0.5–4
	Stranded with cable end	0.5–2.5
	Solid	0.5–6
Tightening torque	IEC	0.5–0.7 N•m
	UL	6.0 lbf-in
Nominal electrical values	IEC/EN 60947-7-1	400 V / 6 kV / 3–26 A
	UL File E164359 CCN XCFR2	22–10 AWG, 300 V, 20 A
	UTE, category C	250 Vac, 250 Vdc
	VDE, group C	380 Vac, 450 Vdc, 26 A

Certifications

See the tables beginning on page 1/12.

Terminal blocks

	No. points	Sold in lots of	Catalog number	Weight oz (g)
Gray	—	50	AB1TRPN435	0.99 (28.0)
Characteristics	Two phases + grounding terminal (green/yellow) and screw bar clamp			

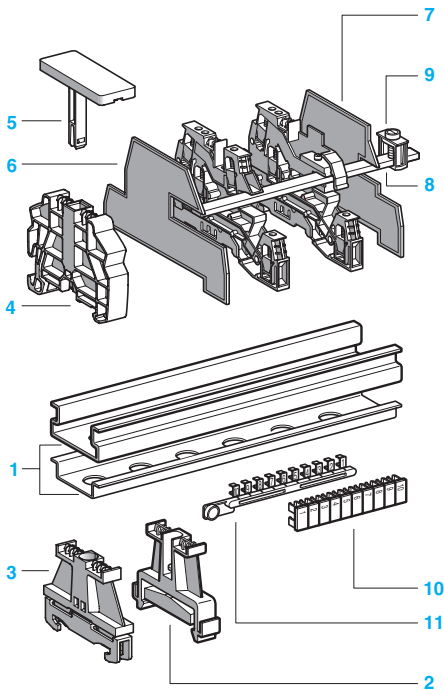
Accessories

2	Plastic end clamp with screw	Width 0.3 in. (8 mm) on $\underline{2.5}$ or \curvearrowright	—	100	AB1AB8P35	0.21 (5.9)
3	Metal end clamp with screw	Width 0.3 in. (8 mm) on $\underline{2.5}$ or \curvearrowright	—	100	AB1AB8M35	0.52 (14.8)
4	Clip-on plastic end clamp	Width 0.3 in. (8 mm) on $\underline{2.5}$ or \curvearrowright	—	100	AB1AB8R35	0.21 (5.9)
5	Marker tag holder for clip-on plastic end clamp		—	10	AB1SB4	0.11 (3.1)
6	End plate	Gray, thickness 0.08 in. (2 mm)	—	25	AB1TM1N	0.13 (3.7)
7	Partition plate	Gray, thickness 0.06 in. (1.5 mm)	—	25	AB1SM1N	0.11 (3.1)
8	Copper neutral bar	length 39.37 in. (1000 mm)	—	10	AB1PC3	10.51 (298.0)
9	Terminal clamp for bar 0.39 x 0.12 (10 x 3)	16 mm ² , pitch 0.33 (8.4)	—	10	AB1EBN16	0.31 (8.9)
		35 mm ² , pitch 0.67 (17) [dimensions = in. (mm)]	—	10	AB1EBN35	0.69 (19.5)

10/11 Marking accessories

See pages 5/2 and 5/3.

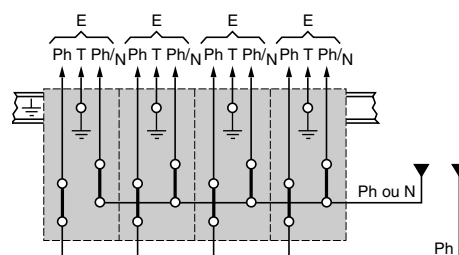
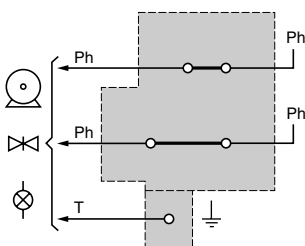
536390



Connections

AB1TRPN435

Example: wiring several terminal blocks, AB1TRNN435 or AB1TRPN435



Terminal Blocks, Type AB1

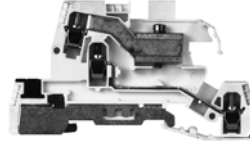
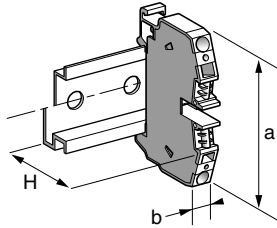
Screw clamp technology

Multifunction

Clip-on mounting on 35 mm $\underline{2.5}$ $\underline{3}$ rails

Nominal wire size

4 mm²



AB1TRNN435

Approximate dimensions, in. (mm)

1	Length (a)	3.19 (90.3)
	Width (b)	0.21 (6)
	Height (H) $\underline{2.5}$ rail	2.08 (59)
	with $\underline{3}$ rail	1.82 (51.5)
Wire size, mm ²	Stranded without cable end	0.5–4
	Stranded with cable end	0.5–2.5
	Solid	0.5–6
Tightening torque	IEC	0.5–0.7 N•m
	UL	6.0 lbf-in
Nominal electrical values	IEC/EN 60947-7-1	400 V / 6 kV / 3–24 A
	UL File E164359	22–10 AWG, 300 V, 20 A
	CCN XCFR2	
	UTE, category C	250 Vac, 250 Vdc
	VDE, group C	380 Vac, 450 Vdc, 26 A

Certifications

See the tables beginning on page 1/12.

Terminal blocks

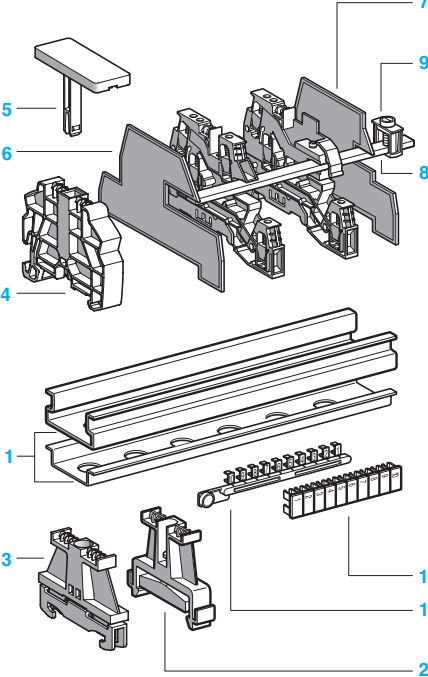
	No. points	Sold in lots of	Catalog number	Weight oz (g)
Gray	—	50	AB1TRNN435	0.99 (28.0)
Characteristics	Neutral (blue), phase, grounding (green/ yellow) and screw bar clamp			

Accessories

2	Plastic end clamp with screw	Width 0.3 in. (8 mm) on $\underline{2.5}$ or $\underline{3}$	—	100	AB1AB8P35	0.21 (5.9)
3	Metal end clamp with screw	Width 0.3 in. (8 mm) on $\underline{2.5}$ or $\underline{3}$	—	100	AB1AB8M35	0.52 (14.8)
4	Clip-on plastic end clamp	Width 0.3 in. (8 mm) on $\underline{2.5}$ or $\underline{3}$	—	100	AB1AB8R35	0.21 (5.9)
5	Marker tag holder for clip-on plastic end clamp		—	10	AB1SB4	0.11 (3.1)
6	End plate	Gray, thickness 0.08 in. (2 mm)	—	25	AB1TM1N	0.13 (3.7)
7	Partition plate	Gray, thickness 0.06 in. (1.5 mm)	—	25	AB1SM1N	0.11 (3.1)
8	Copper neutral bar	length 39.37 in. (1000 mm)	—	10	AB1PC3	10.51 (298.0)
9	Terminal clamp for bar 0.39 x 0.12 (10 x 3)	16 mm ² , pitch 0.33 (8.4)	—	10	AB1EBN16	0.31 (8.9)
		35 mm ² , pitch 0.67 (17) [dimensions = in. (mm)]	—	10	AB1EBN35	0.69 (19.5)

10/11 Marking accessories

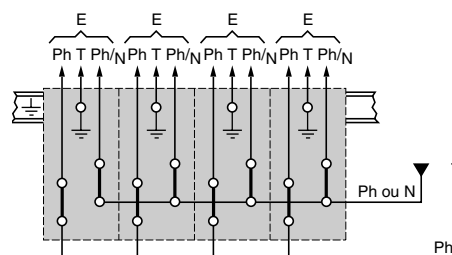
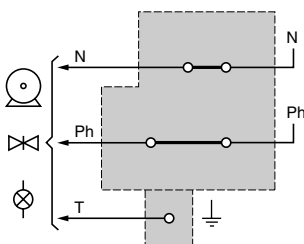
See pages 5/2 and 5/3.



Wiring diagrams

AB1TRNN435

Example: wiring several terminal blocks, AB1TRNN435 or AB1TRPN435



Terminal Blocks, Type AB1

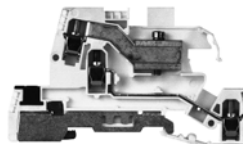
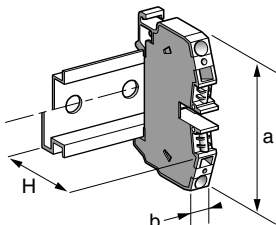
Screw clamp technology

Multifunction

Clip-on mounting on 35 mm $\Sigma 5$ rails

Nominal wire size

4 mm²



AB1TRPN435UFM

Approximate dimensions, in. (mm)

1	Length (a)	3.19 (90.3)
	Width (b)	0.21 (6)
	Height (H) $\Sigma 5$ rail with Σ rail	2.08 (59) 1.82 (51.5)

Wire size, mm²

Stranded without cable end	0.5–4
Stranded with cable end	0.5–2.5
Solid	0.5–6

Tightening torque

IEC	0.4–0.6 N•m
UL	8.0 lbf-in

Nominal electrical values

IEC/EN 60947-7-1	400 V / 6 kV / 3–24 A
UL File E164359 CCN XCFR2	22–10 AWG
UTE, category C	250 Vac, 250 Vdc
VDE, group C	380 Vac, 450 Vdc, 26 A

Certifications

See the tables beginning on page 1/12.

Terminal blocks

	No. points	Sold in lots of	Catalog number	Weight oz (g)
Gray	—	50	AB1TRPN435UFM	0.99 (28.0)
Characteristics	Neutral (blue), phase, grounding (green/ yellow) and screw bar clamp with phase/neutral Fault indicator diode (1)			

Accessories

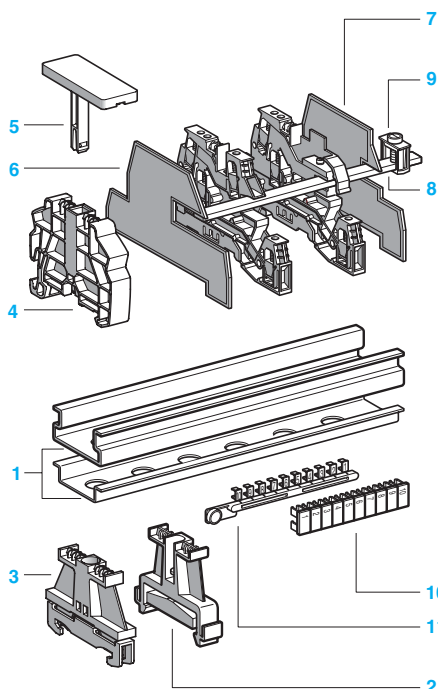
2	Plastic end clamp with screw	Width 0.3 in. (8 mm) on $\Sigma 5$ or Σ	—	100	AB1AB8P35	0.21 (5.9)
3	Metal end clamp with screw	Width 0.3 in. (8 mm) on $\Sigma 5$ or Σ	—	100	AB1AB8M35	0.52 (14.8)
4	Clip-on plastic end clamp	Width 0.3 in. (8 mm) on $\Sigma 5$ or Σ	—	100	AB1AB8R35	0.21 (5.9)
5	Marker tag holder for clip-on plastic end clamp		—	10	AB1SB4	0.11 (3.1)
6	End plate	Gray, thickness 0.08 in. (2 mm)	—	25	AB1TM1N	0.13 (3.7)
7	Partition plate	Gray, thickness 0.06 in. (1.5 mm)	—	25	AB1SM1N	0.11 (3.1)
8	Copper neutral bar	length 39.37 in. (1000 mm)	—	10	AB1PC3	10.51 (298.0)
9	Terminal clamp	16 mm ² , pitch 0.33 (8.4) for bar 0.39 x 35 mm ² , pitch 0.67 (17) 0.12 (10 x 3) [dimensions = in. (mm)]	—	10	AB1EBN16	0.31 (8.9)
			—	10	AB1EBN35	0.69 (19.5)

10/11 Marking accessories

See pages 5/2 and 5/3.

(1) Neon lamp voltage indicator, 110-220 V.

526380



Terminal Blocks, Type AB1

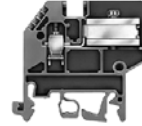
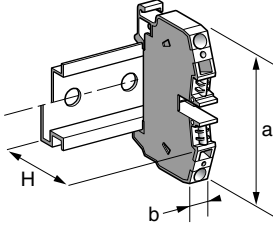
Screw clamp technology

For neutral conductors

Clip-on mounting on 35 mm ± 5 rails

Nominal wire size

4 mm²



Approximate dimensions, in. (mm)

1	Length (a)	1.92 (48.75)
	Width (b)	0.24 (6)
	Height (H)	2.20 (56)
	with ± 5 rail	1.91 (48.5)
	with \pm rail	2.09 (53)

Wire size, mm²

Stranded without cable end	0.5–4
Stranded with cable end	0.5–2.5
Solid	0.5–6

Tightening torque IEC

0.5–0.7 N•m

Nominal electrical values

IEC/EN 60947-7-1	800 V / 8 kV / 3–32 A
UTE, category C	250 Vac, 250 Vdc
VDE, group C	380 Vac, 450 Vdc

4 mm² 6 mm²

Certifications

See the tables beginning on page 1/12.

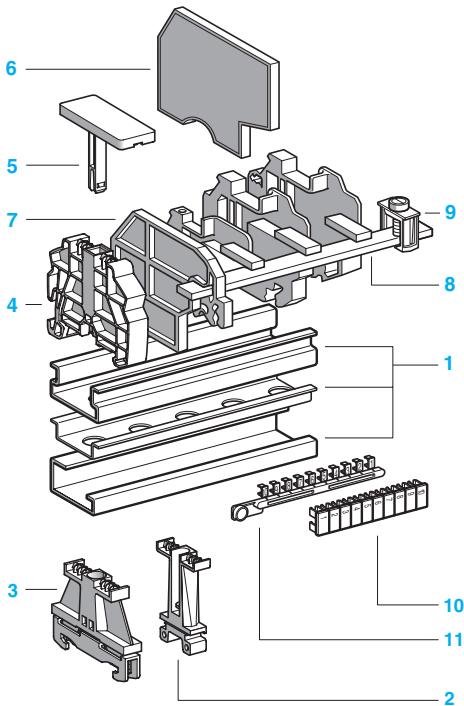
Terminal blocks

		No. points	Sold in lots of	Catalog number	Weight oz (g)
	Blue	—	100	AB1NEN435U	0.52 (14.7)
Accessories					
2	Plastic end clamp with screw	—	100	AB1AB7P32	0.15 (4.2)
	Width 0.3 in. (7.5 mm) on \pm	—	100	AB1AB8P35	0.21 (5.9)
	Width 0.3 in. (8 mm) on ± 5 or \pm	—	100	AB1AB10M32	0.23 (6.5)
3	Metal end clamp with screw	—	100	AB1AB8M35	0.52 (14.8)
	Width 0.4 in. (10 mm) on \pm	—	100	AB1AB8R35	0.21 (5.9)
	Width 0.3 in. (8 mm) on ± 5 or \pm	—	10	AB1SB4	0.11 (3.1)
4	Clip-on plastic end clamp	—	10	AB1TNN4	0.09 (2.5)
	Width 0.3 in. (8 mm) on ± 5 or \pm	—	—	—	—
5	Marker tag holder for clip-on plastic end clamp	—	10	AB1SBN	0.18 (5.2)
6	End plate	Blue, thickness 0.06 in. (1.5 mm)	—	AB1PC3	10.51 (298.0)
	Blue, thickness 0.08 in. (2 mm)	—	—	—	—
7	Terminal clamp for bar	—	10	AB1EBN16	0.31 (8.9)
8	Copper neutral bar length 39.37 in. (1000 mm)	—	10	AB1EBN35	0.69 (19.5)
9	Terminal clamp for bar 0.39 x 0.12 (10 x 3)	16 mm ² , pitch 0.33 (8.5)	—	—	—
		35 mm ² , pitch 0.56 (14.3)	—	—	—
		[dimensions = in. (mm)]	—	—	—

10/11 Marking accessories

See pages 5/2 and 5/3.

523870



Terminal Blocks, Type AB1

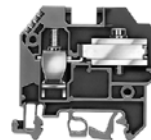
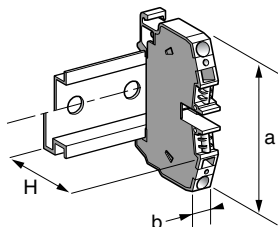
Screw clamp technology

For neutral conductors

Clip-on mounting on 35 mm \mathcal{L} rails

Nominal wire size

10 mm²



AB1NEN1035U

Approximate dimensions, in. (mm)

1	Length (a)	2.14 (54.25)
	Width (b)	0.39 (10)
	Height (H) \mathcal{L} rail	2.46 (62.5)
	with \mathcal{L} rail	2.17 (55)
	with \mathcal{L} rail	2.34 (59.5)

Wire size, mm²

Stranded without cable end	1–10
Stranded with cable end	1–10
Solid	10–16

Tightening torque IEC

2.0–2.5 N•m

Nominal electrical values

IEC/EN 60947-7-1	800 V / 8 kV / 3–41 A
UTE, category C	250 Vac, 250 Vdc
VDE, group C	380 Vac, 450 Vdc 45 A 50 A

10 mm² 16 mm²

Certifications

See the tables beginning on page 1/12.

Terminal blocks

	No. points	Sold in lots of	Catalog number	Weight oz (g)
Blue	—	50	AB1NEN1035U	1.12 (31.7)

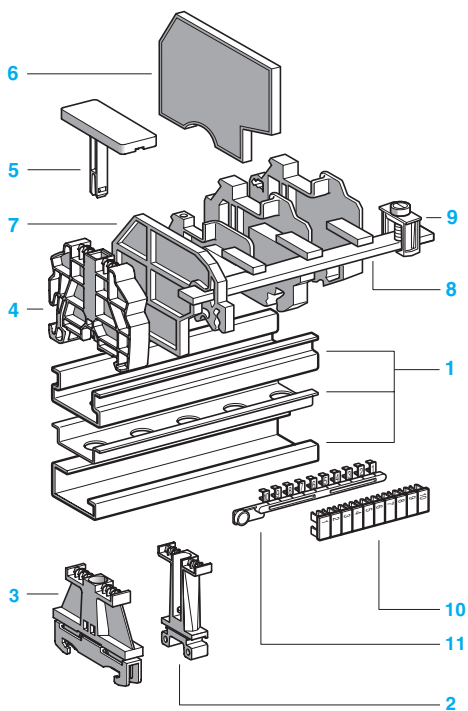
Accessories

2	Plastic end clamp with screw	Width 0.3 in. (7.5 mm) on \mathcal{L}	—	100	AB1AB7P32	0.15 (4.2)
		Width 0.3 in. (8 mm) on \mathcal{L} or \mathcal{L}	—	100	AB1AB8P35	0.21 (5.9)
3	Metal end clamp with screw	Width 0.4 in. (10 mm) on \mathcal{L}	—	100	AB1AB10M32	0.23 (6.5)
		Width 0.3 in. (8 mm) on \mathcal{L} or \mathcal{L}	—	100	AB1AB8M35	0.52 (14.8)
4	Clip-on plastic end clamp	Width 0.3 in. (8 mm) on \mathcal{L} or \mathcal{L}	—	100	AB1AB8R35	0.21 (5.9)
5	Marker tag holder for clip-on plastic end clamp		—	10	AB1SB4	0.11 (3.1)
6	End plate	Blue, thickness 0.06 in. (1.5 mm)	—	10	AB1TNN10	0.09 (2.5)
		Blue, thickness 0.08 in. (2 mm)	—	—	—	—
7	Terminal clamp for bar		—	10	AB1SBN	0.18 (5.2)
8	Copper neutral bar	length 39.37 in. (1000 mm)	—	10	AB1PC3	10.51 (298.0)
9	Terminal clamp for bar	16 mm ² , pitch 0.33 (8.5)	—	10	AB1EBN16	0.31 (8.9)
		35 mm ² , pitch 0.56 (14.3)	—	10	AB1EBN35	0.69 (19.5)

10/11 Marking accessories

See pages 5/2 and 5/3

523970



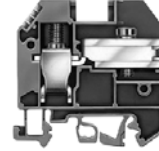
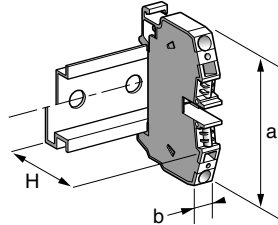
Terminal Blocks, Type AB1

Screw clamp technology
For neutral conductors

Clip-on mounting on 35 mm ± 5 rails

Nominal wire size

16 mm²



AB1NEN1635U

Approximate dimensions, in. (mm)

1	Length (a)	2.26 (57.5)
	Width (b)	0.47 (12)
	Height (H) ± 5 rail	2.56 (65)
	with ± 5 rail	2.26 (57.5)
	with ± 5 rail	2.44 (62)

Wire size, mm²

Stranded without cable end	1–16
Stranded with cable end	1–16
Solid	10–25

Tightening torque IEC

2.5–3.0 N•m

Nominal electrical values

IEC/EN 60947-7-1	800 V / 8 kV / 3
UTE, category C	250 Vac, 250 Vdc
VDE, group C	380 Vac, 450 Vdc

16 mm² 25 mm²

62 A 67 A

Certifications

See the tables beginning on page 1/12.

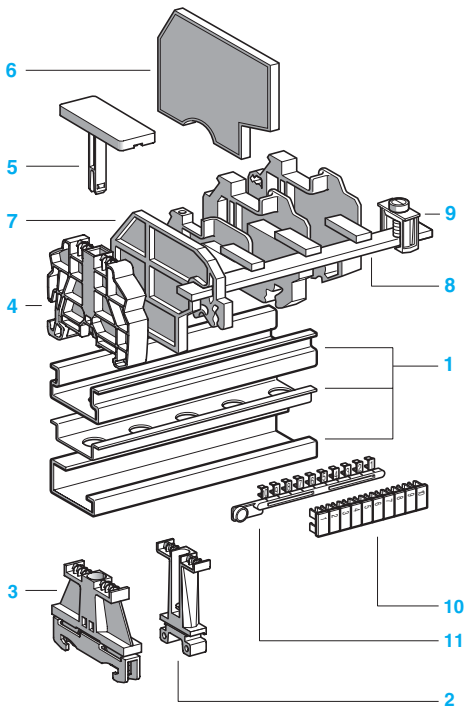
Terminal blocks

		No. points	Sold in lots of	Catalog number	Weight oz (g)	
	Blue	—	50	AB1NEN1635U	1.59 (45.2)	
Accessories						
2	Plastic end clamp with screw	—	100	AB1AB7P32	0.15 (4.2)	
	Width 0.3 in. (7.5 mm) on ± 5	—	100	AB1AB8P35	0.21 (5.9)	
	Width 0.3 in. (8 mm) on ± 5 or ± 5	—	100	AB1AB10M32	0.23 (6.5)	
3	Metal end clamp with screw	—	100	AB1AB8M35	0.52 (14.8)	
	Width 0.4 in. (10 mm) on ± 5	—	100	AB1AB8R35	0.21 (5.9)	
	Width 0.3 in. (8 mm) on ± 5 or ± 5	—	10	AB1SB4	0.11 (3.1)	
4	Clip-on plastic end clamp	—	10	AB1SB4	0.11 (3.1)	
5	Marker tag holder for clip-on plastic end clamp	—	—	—	—	
6	End plate	Blue, thickness 0.06 in. (1.5 mm)	—	—	—	
	Blue, thickness 0.08 in. (2 mm)	—	10	AB1TNN16	0.12 (3.4)	
7	Terminal clamp for bar	—	10	AB1SBN	0.18 (5.2)	
8	Copper neutral bar length 39.37 in. (1000 mm)	—	10	AB1PC3	10.51 (298.0)	
9	Terminal clamp for bar 0.39 x 0.12 (10 x 3)	16 mm ² , pitch 0.33 (8.5)	—	10	AB1EBN16	0.31 (8.9)
	35 mm ² , pitch 0.56 (14.3)	—	10	AB1EBN35	0.69 (19.5)	
	[dimensions = in. (mm)]	—	—	—	—	

10/11 Marking accessories

See pages 5/2 and 5/3

523870



Terminal Blocks, Type AB1

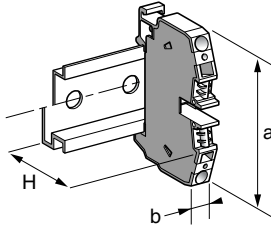
Screw clamp technology

Lug-lug type

Clip-on mounting on 35 mm $\Sigma 5$ rails

Nominal wire size

95 mm²



AB1BB9535

Approximate dimensions, in. (mm)

1	Length (a)	3.62 (92)
	Width (b)	1.26 (32)
	Height (H) $\Sigma 5$ rail with $\Sigma 5$ rail	2.76 (70); with protective cover: 3.41 (86.5) 2.46 (62.5); with protective cover: 3.11 (79)

Wire size, mm²

Stranded	Up to 95
Solid	Up to 95
Fixing bolt	M10
Bar	0.20 x 0.71 in. (5 x 18 mm)

Tightening torque

IEC	10 N*m
UL	250 lbf-in

Nominal electrical values

IEC/EN 60947-7-1	1000 V / 8 kV / 3–225 A
UL File E164359 CCN XCFR2	0 AWG – 350 kcmil, 600 V, 230 A
CSA File 702070 Class 6228 01	0 AWG – 350 kcmil, 600 V, 230 A
UTE, category C	500 Vac, 500 Vdc
VDE, group C	1000 Vac, 1200 Vdc, 250 A

Certifications

See the tables beginning on page 1/12.

Terminal blocks

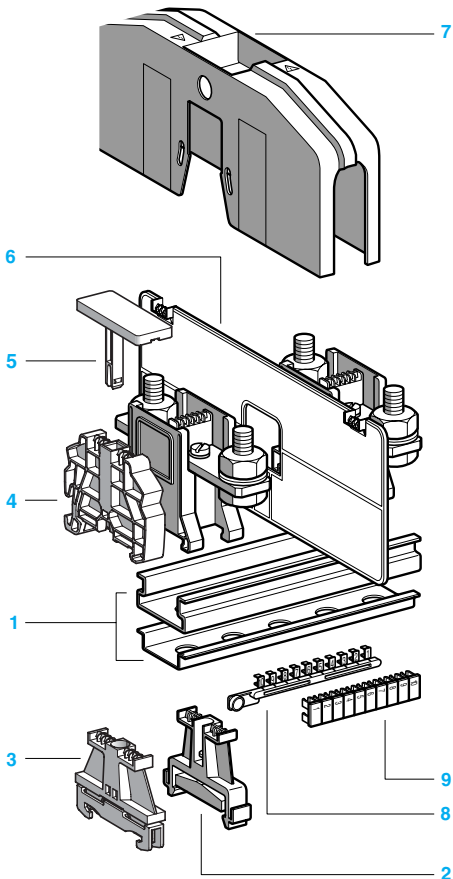
	No. points	Sold in lots of	Catalog number	Weight oz (g)
Gray	2	10	AB1BB9535	5.96 (169.0)

Accessories

2	Plastic end clamp with screw	Width 0.3 in. (8 mm) on $\Sigma 5$ or $\Sigma 5$	—	100	AB1AB8P35	0.21 (5.9)
3	Metal end clamp with screw	Width 0.3 in. (8 mm) on $\Sigma 5$ or $\Sigma 5$	—	100	AB1AB8M35	0.52 (14.8)
4	Clip-on plastic end clamp	Width 0.3 in. (8 mm) on $\Sigma 5$ or $\Sigma 5$	—	100	AB1AB8R35	0.21 (5.9)
5	Marker tag holder for clip-on plastic end clamp		—	10	AB1SB4	0.11 (3.1)
6	End plate	2.76 x 6.85 x 1.26 in. (70 x 180 x 4.5 mm) 0.11 in. (2.8 mm)	—	50	AB1CT1	1.20 (34.0)
7	Terminal cover	2.72 x 6.85 x 1.26 in. (69 x 174 x 32 mm) yellow	—	10	AB1CP1	1.94 (55.0)

8/9 Marking accessories

See pages 5/2 and 5/3.



Terminal Blocks, Type AB1

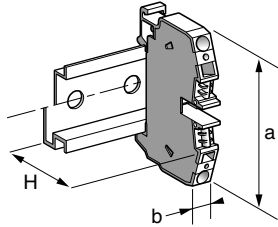
Screw clamp technology

Lug-lug type

Clip-on mounting on 35 mm $\frac{25}{100}$ rails

Nominal wire size

185 mm²



AB1BB18535

Approximate dimensions, in. (mm)

1	Length (a)	3.62 (92)
	Width (b)	1.65 (42)
	Height (H) $\frac{25}{100}$ rail	2.83 (72); with protective cover: 4.35 (110.5)
	with $\frac{100}{100}$ rail	2.54 (64.5); with protective cover: 4.06 (103)

Wire size, mm²

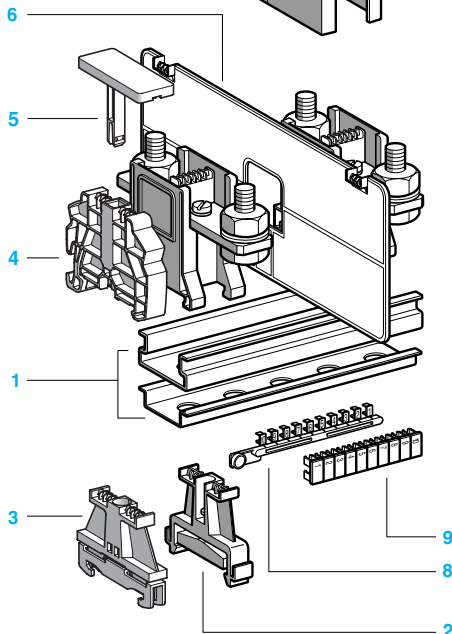
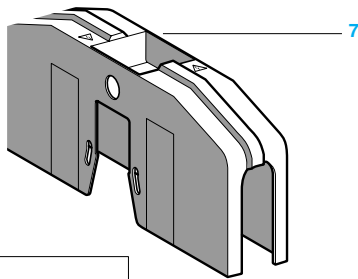
Stranded	Up to 185
Solid	Up to 185
Fixing bolt	M12
Bar	0.24 x 1.02 in. (6 x 26 mm)
Tightening torque	14 N•m
	325 lbf-in

Nominal electrical values

IEC/EN 60947-7-1	1000 V / 8 kV / 3–353 A
UL File E164359 CCN XCFR2	0 AWG – 400 kcmil, 600 V, 375 A
CSA File 702070 Class 6228 01	0 AWG – 400 kcmil, 600 V, 375 A
UTE, category C	500 Vac, 500 Vdc
VDE, group C	1000 Vac, 1200 Vdc, 392 A

Certifications

See the tables beginning on page 1/12.



Terminal blocks

	No. points	Sold in lots of	Catalog number	Weight oz (g)
Gray	2	10	AB1BB18535	8.82 (250.0)

Accessories

2	Plastic end clamp with screw	Width 0.3 in. (8 mm) on $\frac{25}{100}$ or $\frac{100}{100}$	—	100	AB1AB8P35	0.21 (5.9)
3	Metal end clamp with screw	Width 0.3 in. (8 mm) on $\frac{25}{100}$ or $\frac{100}{100}$	—	100	AB1AB8M35	0.52 (14.8)
4	Clip-on plastic end clamp	Width 0.3 in. (8 mm) on $\frac{25}{100}$ or $\frac{100}{100}$	—	100	AB1AB8R35	0.21 (5.9)
5	Marker tag holder for clip-on plastic end clamp		—	10	AB1SB4	0.11 (3.1)
6	End plate gray, thickness 0.11 in. (2.8 mm)	2.76 x 6.85 x 1.26 in. (70 x 180 x 4.5 mm)	—	—	—	—
		2.76 x 7.87 x 1.26 in. (70 x 200 x 4.5 mm)	—	50	AB1CT2	1.31 (37.0)
7	Terminal cover yellow	2.72 x 6.85 x 1.26 in. (69 x 174 x 32 mm)	—	—	—	—
		3.66 x 7.64 x 1.65 in. (93 x 194 x 42 mm)	—	10	AB1CP2	3.17 (90.0)

8/9 Marking accessories

See pages 5/2 and 5/3.

Terminal Blocks, Type AB1

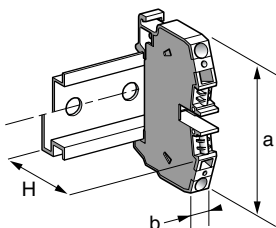
Screw clamp technology

Lug-lug type

Clip-on mounting on 35 mm $\frac{25}{32}$ rails

Nominal wire size

240 mm²



AB1BB24035

Approximate dimensions, in. (mm)

1	Length (a)	3.62 (92)
	Width (b)	1.65 (42)
	Height (H) $\frac{25}{32}$ rail	3.07 (78); with protective cover: 4.35 (110.5)
	with $\frac{32}{32}$ rail	2.78 (70.5); with protective cover: 4.06 (103)

Wire size, mm²

Stranded	Up to 240
Solid	Up to 240
Fixing bolt	M12
Bar	0.31 x 1.02 in. (8 x 26 mm)
Tightening torque	14 N•m
UL	375 lbf-in

Nominal electrical values

IEC/EN 60947-7-1	1000 V / 8 kV / 3–415 A
UL File E164359 CCN XCFR2	0 AWG – 500 kcmil, 600 V, 375 A
CSA File 702070 Class 6228 01	3/0 AWG – 500 kcmil, 600 V, 425 A
UTE, category C	500 Vac, 500 Vdc
VDE, group C	1000 Vac, 1200 Vdc, 461 A

Certifications

See the tables beginning on page 1/12.

Terminal blocks

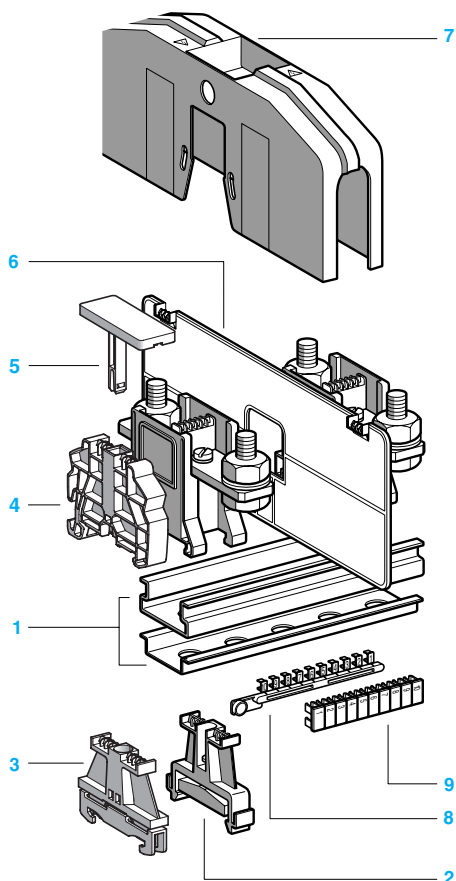
	No. points	Sold in lots of	Catalog number	Weight oz (g)
Gray	2	10	AB1BB24035	9.35 (265.0)

Accessories

2	Plastic end clamp with screw	Width 0.3 in. (8 mm) on $\frac{25}{32}$ or $\frac{32}{32}$	—	100	AB1AB8P35	0.21 (5.9)
3	Metal end clamp with screw	Width 0.3 in. (8 mm) on $\frac{25}{32}$ or $\frac{32}{32}$	—	100	AB1AB8M35	0.52 (14.8)
4	Clip-on plastic end clamp	Width 0.3 in. (8 mm) on $\frac{25}{32}$ or $\frac{32}{32}$	—	100	AB1AB8R35	0.21 (5.9)
5	Marker tag holder for clip-on plastic end clamp		—	10	AB1SB4	0.11 (3.1)
6	End plate gray, thickness 0.11 in. (2.8 mm)	2.76 x 6.85 x 1.26 in. (70 x 180 x 4.5 mm)	—	—	—	—
		2.76 x 7.87 x 1.26 in. (70 x 200 x 4.5 mm)	—	50	AB1CT2	1.31 (37.0)
7	Terminal cover yellow	2.72 x 6.85 x 1.26 in. (69 x 174 x 32 mm)	—	—	—	—
		3.66 x 7.64 x 1.65 in. (93 x 194 x 42 mm)	—	10	AB1CP2	3.17 (90.0)

8/9 Marking accessories

See pages 5/2 and 5/3.



Terminal Blocks, Type AB1

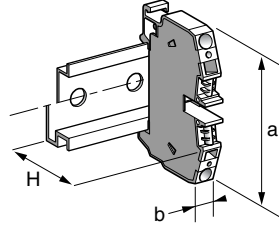
Screw clamp technology

Lug-clamp type

Clip-on mounting on 35 mm $\Sigma 5$ rails

Nominal wire size

95 mm²



AB1BC9535

Approximate dimensions, in. (mm)

1	Length (a)	3.62 (92)
	Width (b)	1.26 (32)
	Height (H) $\Sigma 5$ rail with $\Sigma 5$ rail	3.11 (79); with protective cover: 3.41 (86.5) 2.81 (71.5); with protective cover: 3.11 (79)

Wire size, mm²

Stranded	16–95
Solid	16–95
Fixing bolt	M10
Bar	0.20 x 0.71 in. (5 x 18 mm)

Tightening torque

IEC	10 N•m
UL	250 lbf-in

Nominal electrical values

IEC/EN 60947-7-1	1000 V / 8 kV / 3–225 A
UL File E164359 CCN XCFR2	0 AWG – 350 kcmil, 600 V, 230 A
CSA File 702070 Class 6228 01	0 AWG – 350 kcmil, 600 V, 200 A
UTE, category C	500 Vac, 500 Vdc
VDE, group C	1000 Vac, 1200 Vdc, 250 A

Certifications

See the tables beginning on page 1/12.

Terminal blocks

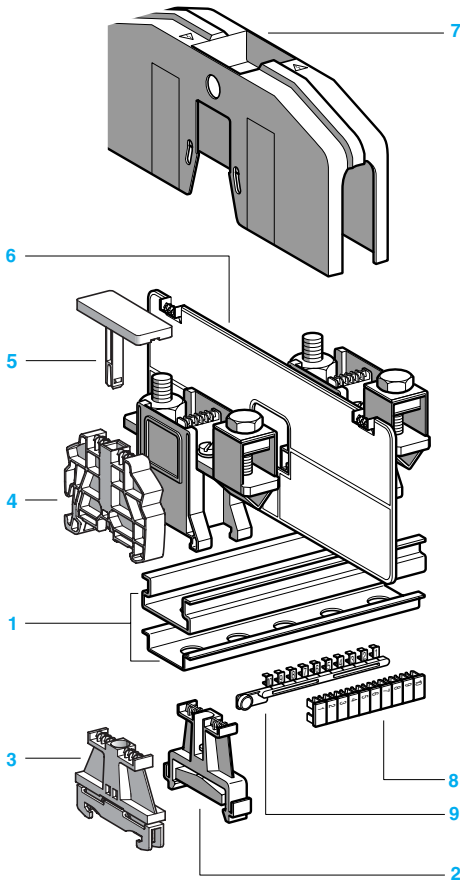
	No. points	Sold in lots of	Catalog number	Weight oz (g)
Gray	2	10	AB1BC9535	8.32 (236.0)

Accessories

2	Plastic end clamp with screw	Width 0.3 in. (8 mm) on $\Sigma 5$ or $\Sigma 5$	—	100	AB1AB8P35	0.21 (5.9)
3	Metal end clamp with screw	Width 0.3 in. (8 mm) on $\Sigma 5$ or $\Sigma 5$	—	100	AB1AB8M35	0.52 (14.8)
4	Clip-on plastic end clamp	Width 0.3 in. (8 mm) on $\Sigma 5$ or $\Sigma 5$	—	100	AB1AB8R35	0.21 (5.9)
5	Marker tag holder for clip-on plastic end clamp		—	10	AB1SB4	0.11 (3.1)
6	End plate gray, thickness 0.11 in. (2.8 mm)	2.76 x 7.09 x 0.18 in. (70 x 180 x 4.5 mm)	—	50	AB1CT1	1.20 (34.0)
		2.76 x 7.87 x 0.18 in. (70 x 200 x 4.5 mm)	—	—	—	—
7	Terminal cover yellow	2.72 x 6.85 x 1.26 in. (69 x 174 x 32 mm)	—	10	AB1CP1	1.94 (55.0)
		3.66 x 7.64 x 1.65 in. (93 x 194 x 42 mm)	—	—	—	—

8/9 Marking accessories

See pages 5/2 and 5/3.



Terminal Blocks, Type AB1

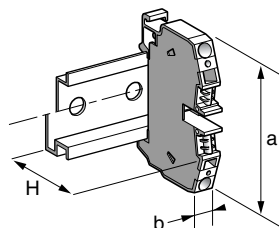
Screw clamp technology

Lug-clamp type

Clip-on mounting on 35 mm $\frac{25}{10}$ rails

Nominal wire size

150 mm²



AB1BC15035

Approximate dimensions, in. (mm)

1	Length (a)	3.62 (92)
	Width (b)	1.65 (42)
	Height (H) $\frac{25}{10}$ rail	3.27 (83); with protective cover: 4.35 (110.5)
	with $\frac{10}{5}$ rail	2.97 (75.5); with protective cover: 4.06 (103)

Wire size, mm²

Stranded	25–150
Solid	25–150
Fixing bolt	M12
Bar	0.24 x 1.02 in. (6 x 26 mm)

Tightening torque

IEC	14 N•m
UL	250 lbf-in

Nominal electrical values

IEC/EN 60947-7-1	1000 V / 8 kV / 3–300 A
UL File E164359 CCN XCFR2	0 AWG – 400 kcmil, 600 V, 325 A
CSA File 702070 Class 6228 01	0 AWG – 400 kcmil, 600 V, 325 A
UTE, category C	500 Vac, 500 Vdc
VDE, group C	1000 Vac, 1200 Vdc, 335 A

Certifications

See the tables beginning on page 1/12.

Terminal blocks

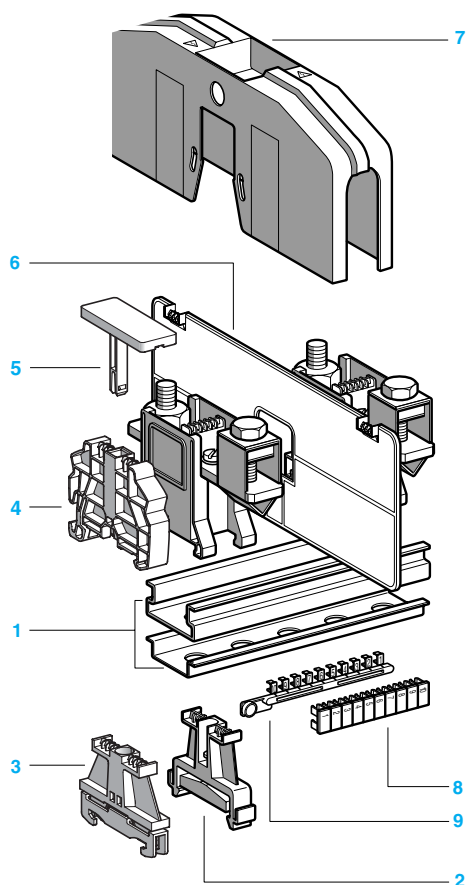
	No. points	Sold in lots of	Catalog number	Weight oz (g)
Gray	2	10	AB1BC15035	9.77 (277.0)

Accessories

2	Plastic end clamp with screw	Width 0.3 in. (8 mm) on $\frac{25}{10}$ or $\frac{10}{5}$	—	100	AB1AB8P35	0.21 (5.9)
3	Metal end clamp with screw	Width 0.3 in. (8 mm) on $\frac{25}{10}$ or $\frac{10}{5}$	—	100	AB1AB8M35	0.52 (14.8)
4	Clip-on plastic end clamp	Width 0.3 in. (8 mm) on $\frac{25}{10}$ or $\frac{10}{5}$	—	100	AB1AB8R35	0.21 (5.9)
5	Marker tag holder for clip-on plastic end clamp		—	10	AB1SB4	0.11 (3.1)
6	End plate gray, thickness 0.11 in. (2.8 mm)	2.76 x 7.09 x 0.18 in. (70 x 180 x 4.5 mm)	—	—	—	—
		2.76 x 7.87 x 1.26 in. (70 x 200 x 4.5 mm)	—	50	AB1CT2	1.31 (37.0)
7	Terminal cover yellow	2.72 x 6.85 x 1.26 in. (69 x 174 x 32 mm)	—	—	—	—
		3.66 x 7.64 x 1.65 in. (93 x 194 x 42 mm)	—	10	AB1CP2	3.17 (90.0)

8/9 Marking accessories

See pages 5/2 and 5/3.



Terminal Blocks, Type AB1

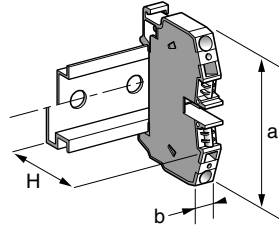
Screw clamp technology

Lug-clamp type

Clip-on mounting on 35 mm ± 5 rails

Nominal wire size

240 mm²



AB1BC24035

Approximate dimensions, in. (mm)

1	Length (a)	4.02 (102)
	Width (b)	1.65 (42)
	Height (H) ± 5 rail	3.94 (100); with protective cover: 4.35 (110.5)
	with ± 5 rail	3.64 (92.5); with protective cover: 4.06 (103)

Wire size, mm²

Stranded	35–240
Solid	35–240
Fixing bolt	M12
Bar	0.31 x 1.02 in. (8 x 26 mm)

Tightening torque

IEC	14 N•m
UL	375 lbf-in

Nominal electrical values

IEC/EN 60947-7-1	1000 V / 8 kV / 3–415 A
UL File E164359 CCN XCFR2	0 AWG – 500 kcmil, 600 V, 375 A
CSA File 702070 Class 6228 01	3/0 AWG – 500 kcmil, 600 V, 425 A
UTE, category C	500 Vac, 500 Vdc
VDE, group C	1000 Vac, 1200 Vdc, 453 A

Certifications

See the tables beginning on page 1/12.

Terminal blocks

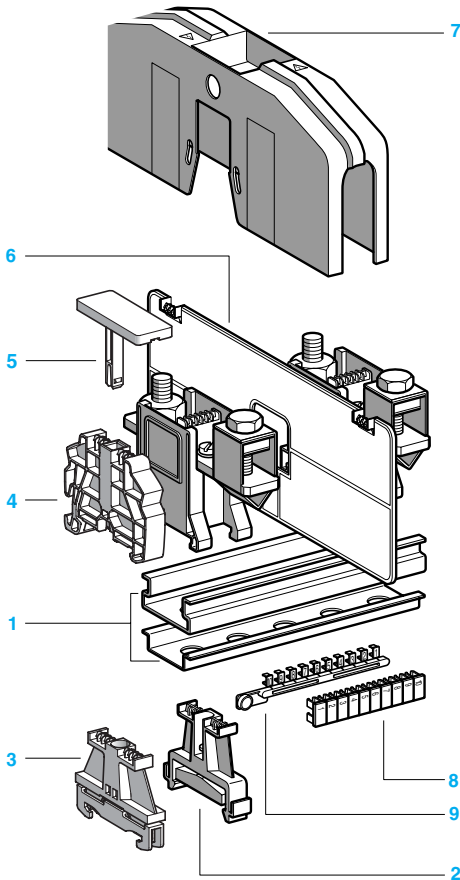
	No. points	Sold in lots of	Catalog number	Weight oz (g)
Gray	2	10	AB1BC24035	10.10 (287.0)

Accessories

2	Plastic end clamp with screw	Width 0.3 in. (8 mm) on ± 5 or ± 5	—	100	AB1AB8P35	0.21 (5.9)
3	Metal end clamp with screw	Width 0.3 in. (8 mm) on ± 5 or ± 5	—	100	AB1AB8M35	0.52 (14.8)
4	Clip-on plastic end clamp	Width 0.3 in. (8 mm) on ± 5 or ± 5	—	100	AB1AB8R35	0.21 (5.9)
5	Marker tag holder for clip-on plastic end clamp		—	10	AB1SB4	0.11 (3.1)
6	End plate	2.76 x 7.09 x 0.18 in. gray, thickness (70 x 180 x 4.5 mm)	—	—	—	—
		0.11 in. 2.76 x 7.87 x 1.26 in. (70 x 200 x 4.5 mm)	—	50	AB1CT2	1.31 (37.0)
7	Terminal cover	2.72 x 6.85 x 1.26 in. (69 x 174 x 32 mm)	—	—	—	—
	yellow	3.66 x 7.64 x 1.65 in. (93 x 194 x 42 mm)	—	10	AB1CP2	3.17 (90.0)

8/9 Marking accessories

See pages 5/2 and 5/3.



Terminal Blocks, Type AB1

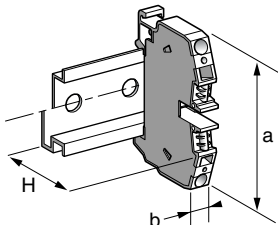
Screw clamp technology

Miniature passthrough

Clip-on mounting on 15 mm rail

Nominal wire size

2.5 mm²



AB1VV215**

Approximate dimensions, in. (mm)

Length (a)	1.12 (28.5)
Width (b)	0.20 (5)
Height (H) with rail	1.26 (32)

Wire size, mm²

Stranded without cable end	0.5–2.5
Stranded with cable end	0.5–1.5
Solid	0.5–4

Tightening torque

IEC	0.4–0.6 N•m
UL	6.0 lbf-in

Nominal electrical values

IEC/EN 60947-7-1	500 V / 6 kV / 3–24 A
UL File E164359 CCN XCFR2	22–14 AWG, 150 V, 10 A
CSA File 702070 Class 6228 01	22–12 AWG, 600 V, 25 A
UTE, category C	500 Vac, 500 Vdc
VDE, group C	500 Vac, 600 Vdc, 26 A
ATEX Exe II II 2 GD	2.5 mm ² , 275 V, 20 A, KEMA 02 ATEX 2114 U

Certifications

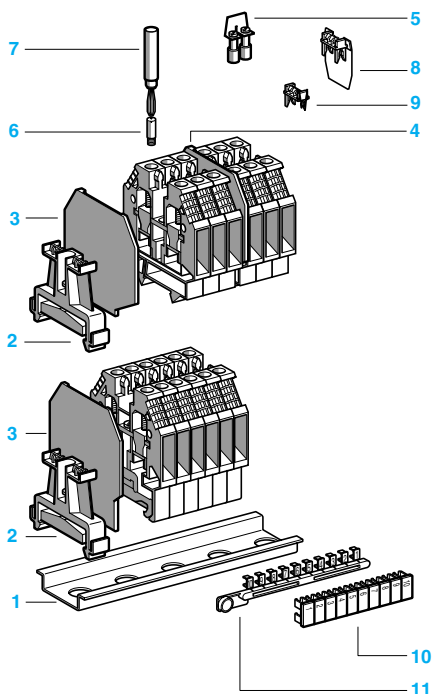
See the tables beginning on page 1/12.

Terminal blocks

	No. points	Sold in lots of	Catalog number	Weight oz (g)
Gray	2	10	AB1VV215	0.15 (4.2)
Blue	2	100	AB1VV215BL	0.15 (4.2)
Grounding type	Green/Yellow	2	—	—

Accessories

1	Rail, 15 x 5, length 1000	—	10	AB1PC15	4.94 (140.0)	
2	Plastic end clamp with screw	Width 0.3 in. (7.5 mm)	—	100	AB1AB715	0.08 (2.2)
3	End plate	Gray, thickness 0.06 in. (1.5 mm)	—	50	AB1AC2	0.05 (1.3)
4	Partition plate	Gray, thickness 0.06 in. (1.5 mm)	—	50	AB1AS2	0.06 (1.7)
5	Jumper with screws	2-pole (Non-insulated)	2	50	AB1B22	0.06 (1.6)
		60-pole (Non-insulated)	60	10	AB1B15	3.70 (105.0)
6	Socket for test plug	∅ 0.09 in. (2.3 mm)	—	50	AB1A2	0.018 (0.5)
7	Test plug	Red	—	50	AB1AT1	0.06 (1.7)
8	Yellow partition plate		1	100	AB1CJ215	0.021 (0.6)
9	Yellow protective cover		1	100	AB1CA215	0.014 (0.4)
10/11	Marking accessories				See pages 5/2 and 5/3.	



Terminal Blocks, Type AB1

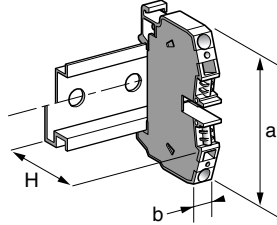
Screw clamp technology

Miniature passthrough

Clip-on mounting on 15 mm rail

Nominal wire size

4 mm²



AB1VV415

Approximate dimensions, in. (mm)

Length (a)	1.12 (28.5)
Width (b)	0.24 (6)
Height (H) with 15 mm rail	1.26 (32)

Wire size, mm²

Stranded without cable end	0.5–4
Stranded with cable end	0.5–2.5
Solid	0.5–6

Tightening torque

IEC	0.5–0.7 N•m
UL	8.0 lbf-in

Nominal electrical values

IEC/EN 60947-7-1	500 V / 6 kV / 3–34 A
UL File E164359 CCN XCFR2	22–14 AWG, 150 V, 10 A
CSA File 702070 Class 6228 01	22–12 AWG
UTE, category C	500 Vac, 500 Vdc
VDE, group C	500 Vac, 600 Vdc, 34 A
ATEX Exe II II 2 GD	4 mm ² , 275 V, 21 / 27 A, KEMA 02 ATEX 2114 U

Certifications

See the tables beginning on page 1/12.

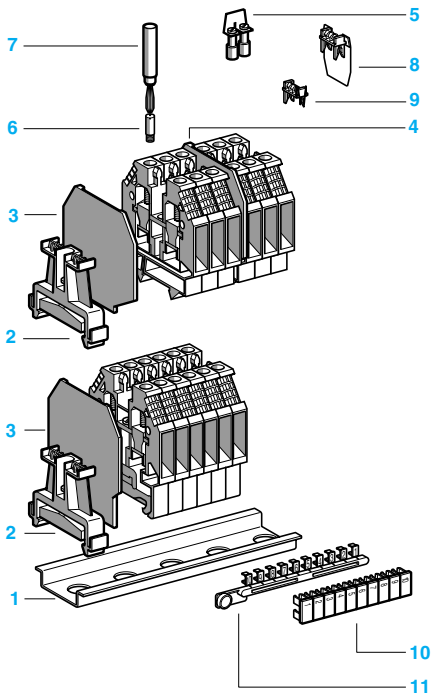
Terminal blocks

	No. points	Sold in lots of	Catalog number	Weight oz (g)
Gray	2	100	AB1VV415	0.19 (5.5)
Blue	—	—	—	—
Green/Yellow	—	—	—	—

Grounding type

Accessories

No.	Description	No. points	Sold in lots of	Catalog number	Weight oz (g)
1	Rail, 15 x 5, length 1000	—	10	AB1PC15	4.94 (140.0)
2	Plastic end clamp with screw Width 0.3 in. (7.5 mm)	—	100	AB1AB715	0.08 (2.2)
3	End plate Gray, thickness 0.06 in. (1.5 mm)	—	50	AB1AC2	0.05 (1.3)
4	Partition plate Gray, thickness 0.06 in. (1.5 mm)	—	50	AB1AS2	0.06 (1.7)
5	Jumper with screws 2-pole (Non-insulated) 60-pole (Non-insulated)	2 60	50 10	AB1B22 AB1B15	0.06 (1.6) 3.70 (105.0)
6	Socket for test plug Ø 0.09 in. (2.3 mm)	—	50	AB1A2	0.018 (0.5)
7	Test plug Red	—	50	AB1AT1	0.06 (1.7)
8	Yellow partition plate	1	100	AB1CJ3	0.021 (0.6)
9	Yellow protective cover	1	100	AB1CA3	0.014 (0.4)
10/11	Marking accessories	See pages 5/2 and 5/3.			



Terminal Blocks, Type AB1

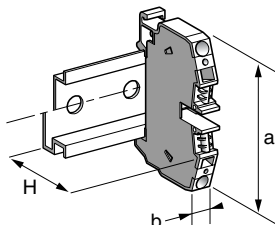
Screw clamp technology

Miniature grounding

Clip-on mounting on 15 mm rail

Nominal wire size

2.5–4 mm²



AB1TP215

Approximate dimensions, in. (mm)

Length (a)	1.12 (28.5)
Width (b)	0.24 (6)
Height (H) with rail	1.26 (32)

Wire size, mm²

Stranded without cable end	0.5–4
Stranded with cable end	0.5–2.5
Solid	0.5–6

Tightening torque

IEC	0.5–0.7 N•m
UL	6.0 lbf-in

Nominal electrical values

IEC/EN 60947-7-1	500 V / 6 kV / 3–34 A
UL File E164359 CCN XCFR2	22–14 AWG, 150 V, 10 A
CSA File 702070 Class 6228 01	22–12 AWG
UTE, category C	500 Vac, 500 Vdc
VDE, group C	500 Vac, 600 Vdc, 34 A
ATEX Exe II II 2 GD	4 mm ² , KEMA 02 ATEX 2114 U

Certifications

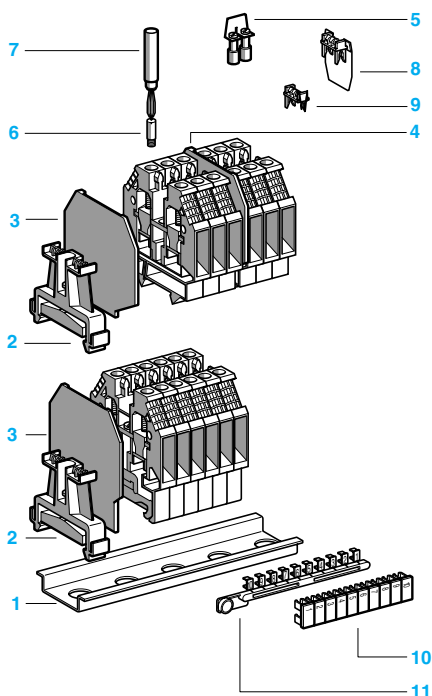
See the tables beginning on page 1/12.

Terminal blocks

	No. points	Sold in lots of	Catalog number	Weight oz (g)
Gray	—	—	—	—
Blue	—	—	—	—
Grounding Green/Yellow	2	100	AB1TP215	0.41 (11.7)

Accessories

1	Rail, 15 x 5, length 1000	—	10	AB1PC15	4.94 (140.0)
2	Plastic end clamp with screw Width 0.3 in. (7.5 mm)	—	100	AB1AB715	0.08 (2.2)
3	End plate Gray, thickness 0.06 in. (1.5 mm)	—	50	AB1CT215	0.07 (2.0)
4	Partition plate Gray, thickness 0.06 in. (1.5 mm)	—	—	—	—
5	Jumper with screws 2-pole (Non-insulated) 60-pole (Non-insulated)	—	—	—	—
6	Socket for test plug Ø 0.09 in. (2.3 mm)	—	—	—	—
7	Test plug Red	—	—	—	—
8	Yellow partition plate	—	—	—	—
9	Yellow protective cover	—	—	—	—
10/11	Marking accessories	See pages 5/2 and 5/3.			



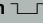



4 - Terminal Blocks, Type AB1 Insulation displacement technology

	<i>Page</i>
<i>Selection guide</i>	4/2
Passthrough type terminal blocks	4/4
Terminal blocks for grounding	4/10
Disconnect type terminal blocks	4/16
Double deck terminal blocks	4/20









Terminal Blocks, Type AB1

Insulation displacement technology

Applications (connection)		Passthrough		Grounding	
					
Nominal wire size	AWG (mm ²)	18 (1)	12 (2.5)	18 (1)	12 (2.5)
Number of poles	1 - 1 x 1	•	•	•	•
	2 - 1 x 1	—	—	—	—
	1 - 1 x 2	•	•	•	•
	1 - 2 x 2	•	•	•	•
Clip-on mounting on	35 mm 	•	•	•	•
	35 mm 	•	•	•	•
Colors	Gray	•	•	—	—
	Blue	•	•	—	—
	Green/yellow	—	—	•	•
	Orange	—	—	—	—
	Red	—	—	—	—
Catalog numbers		AB1AA***		AB1AATP***	

Terminal Blocks, Type AB1

Insulation displacement technology

Applications (connection)		Disconnect Blade type		Removable carrier, for diode or cylindrical fuse		Double deck	
							
Nominal wire size	AWG (mm ²)	18 (1)	14 (2.5)	18 (1)	14 (2.5)	18 (1)	14 (2.5)
Number of poles	1 - 1 x 1	•	•	•	•	—	—
	2 - 1 x 1	—	—	—	—	•	•
	1 - 1 x 2	—	—	—	—	—	—
	1 - 2 x 2	—	—	—	—	—	—
Clip-on mounting on	35 mm 	•	•	•	•	•	•
	35 mm 	•	•	•	•	•	•
Colors	Gray	•	•	•	•	•	•
	Blue	•	•	—	—	—	—
	Green/yellow	—	—	—	—	—	—
	Orange	—	—	—	—	—	•
	Red	—	—	—	—	—	•
Catalog numbers		AB1AASC***		AB1AASF***		AB1AAET***	

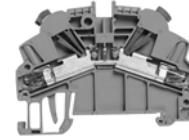
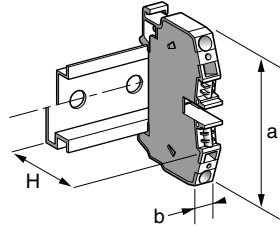
Terminal Blocks, Type AB1

Insulation displacement technology Passthrough

Clip-on mounting on 35 mm $\Sigma 5$ rails

Nominal wire size

1 mm²



AB1AA135U2**

Approximate dimensions, in. (mm)

1	Length (a)	2.64 (67)
	Width (b)	0.20 (5)
	Height (H) $\Sigma 5$ rail with $\Sigma 5$ rail	2.26 (57.5) 1.97 (50)

Wire size, mm²

Stranded without cable end	0.2-1
Stranded with cable end	—
Solid	0.2-1

Nominal electrical values

IEC/EN 60947-7-1	800 V / 8 kV / 3-13.5 A
UL File E164359 CCN XCFR2	30-18 AWG Cu, 600 V, 13 A
CSA File 702070 Class 6228 01	24-18 AWG Cu, 600 V, 7 A
ATEX Exe II II 2 GD	1 mm ² , 750 V, 13.5 A, KEMA 02 ATEX 2113 U

Certifications

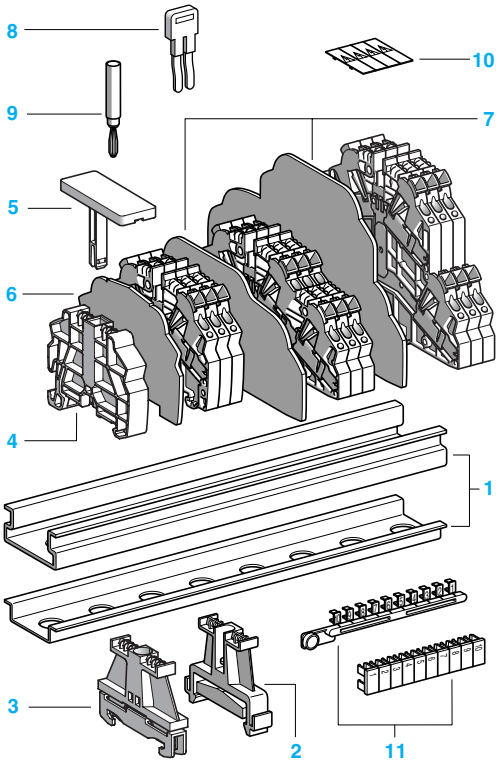
See the table on page 1/13.

Terminal blocks

	No. points	Sold in lots of	Catalog number	Weight oz (g)
Gray	2	100	AB1AA135U2GR	0.44 (12.6)
Blue	2	100	AB1AA135U2BL	0.44 (12.6)

Accessories

2	Plastic end clamp with screw	Width 0.3 in. (8 mm) on $\Sigma 5$ or $\Sigma 5$	—	100	AB1AB8P35	0.21 (5.9)	
3	Metal end clamp with screw	Width 0.3 in. (8 mm) on $\Sigma 5$ or $\Sigma 5$	—	100	AB1AB8M35	0.52 (14.8)	
4	Clip-on plastic end clamp	Width 0.3 in. (8 mm) on $\Sigma 5$ or $\Sigma 5$	—	100	AB1AB8R35	0.21 (5.9)	
5	Marker tag holder for clip-on plastic end clamp		—	10	AB1SB4	0.11 (3.1)	
6	End plate	Gray	—	10	AB1AAAC122GR	0.16 (4.4)	
		Blue	—	10	AB1AAAC122BL	0.16 (4.4)	
7	Partition plate	Gray	—	10	AB1AAAS122GR	0.19 (5.3)	
		Blue	—	10	AB1AAAS122BL	0.19 (5.3)	
8	Insulated jumper	2-pole	—	10	AB1RRAL22	0.04 (1.1)	
		3-pole	—	10	AB1RRAL23	0.06 (1.7)	
		4-pole	—	10	AB1RRAL24	0.08 (2.2)	
		5-pole	—	10	AB1RRAL25	0.10 (2.8)	
		10-pole	—	20	AB1RRAL210	0.20 (5.6)	
9	Test plug	Red	—	50	AB1AT1	0.07 (1.9)	
10	Terminal cover		—	4	10	AB1AACS1JA	0.014 (0.4)
11	Marking accessories		—	See pages 5/2 and 5/3.			



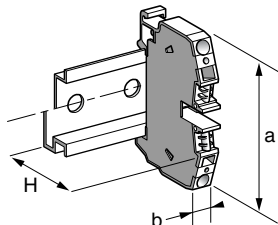
Terminal Blocks, Type AB1

Insulation displacement technology Passthrough

Clip-on mounting on 35 mm $\frac{25}{8}$ rails

Nominal wire size

1 mm²



AB1AA135U3**

Approximate dimensions, in. (mm)

1	Length (a)	3.63 (92.1)
	Width (b)	0.20 (5)
	Height (H) $\frac{25}{8}$ rail with $\frac{25}{8}$ rail	2.26 (57.5)

Wire size, mm²

Stranded without cable end	0.2-1
Stranded with cable end	—
Solid	0.2-1

Nominal electrical values

IEC/EN 60947-7-1	800 V / 8 kV / 3-13.5 A
UL File E164359 CCN XCFR2	30-18 AWG Cu, 600 V, 10 A
CSA File 702070 Class 6228 01	24-18 AWG Cu, 600 V, 7 A
ATEX Exe II II 2 GD	1 mm ² , 750 V, 13.5 A, KEMA 02 ATEX 2113 U

Certifications

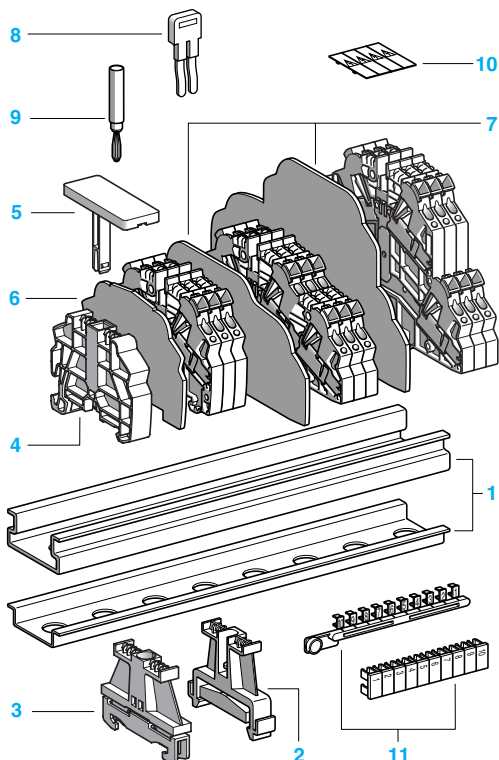
See the table on 1/13.

Terminal blocks

	No. points	Sold in lots of	Catalog number	Weight oz (g)
Gray	3	50	AB1AA135U3GR	0.62 (17.5)
Blue	3	50	AB1AA135U3BL	0.62 (17.5)

Accessories

2	Plastic end clamp with screw	Width 0.3 in. (8 mm) on $\frac{25}{8}$ or $\frac{25}{8}$	—	100	AB1AB8P35	0.21 (5.9)
3	Metal end clamp with screw	Width 0.3 in. (8 mm) on $\frac{25}{8}$ or $\frac{25}{8}$	—	100	AB1AB8M35	0.52 (14.8)
4	Clip-on plastic end clamp	Width 0.3 in. (8 mm) on $\frac{25}{8}$ or $\frac{25}{8}$	—	100	AB1AB8R35	0.21 (5.9)
5	Marker tag holder for clip-on plastic end clamp		—	10	AB1SB4	0.11 (3.1)
6	End plate	Gray thickness 0.06 in. (1.5 mm)	—	10	AB1AAAC123GR	0.20 (5.7)
		Blue	—	10	AB1AAAC123BL	0.20 (5.7)
7	Partition plate	Gray thickness 0.06 in. (1.5 mm)	—	10	AB1AAAS123GR	0.25 (7.1)
		Blue	—	10	AB1AAAS123BL	0.25 (7.1)
8	Insulated jumper	2-pole 3-pole 4-pole 5-pole 10-pole	—	10	AB1RRAL22	0.04 (1.1)
			—	10	AB1RRAL23	0.08 (2.2)
			—	10	AB1RRAL24	0.10 (2.8)
			—	10	AB1RRAL25	0.20 (5.6)
			—	20	AB1RRAL210	0.07 (1.9)
9	Test plug	Red	—	50	AB1AT1	0.06 (1.7)
10	Terminal cover		4	10	AB1AACS1JA	0.014 (0.4)
11	Marking accessories		See pages 5/2 and 5/3.			



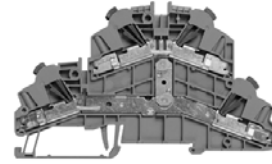
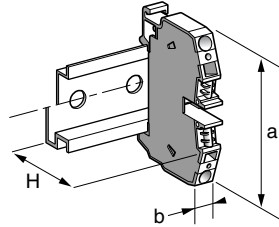
Terminal Blocks, Type AB1

Insulation displacement technology Passthrough

Clip-on mounting on 35 mm ± 5 rails

Nominal wire size

1 mm²



AB1AA135U4**

Approximate dimensions, in. (mm)

1	Length (a)	4.71 (119.7)
	Width (b)	0.20 (5)
	Height (H) ± 5 rail with ± 5 rail	3.13 (79.5)
		2.83 (72)

Wire size, mm²

Stranded without cable end	0.2-1
Stranded with cable end	—
Solid	0.2-1

Nominal electrical values

IEC/EN 60947-7-1	500 V / 6 kV / 3-13.5 A
UL File E164359 CCN XCFR2	30-18 AWG Cu, 600 V, 10 A
CSA File 702070 Class 6228 01	24-18 AWG Cu, 600 V, 7 A
ATEX Exe II II 2 GD	1 mm ² , 550 V, 13.5 A, KEMA 02 ATEX 2113 U

Certifications

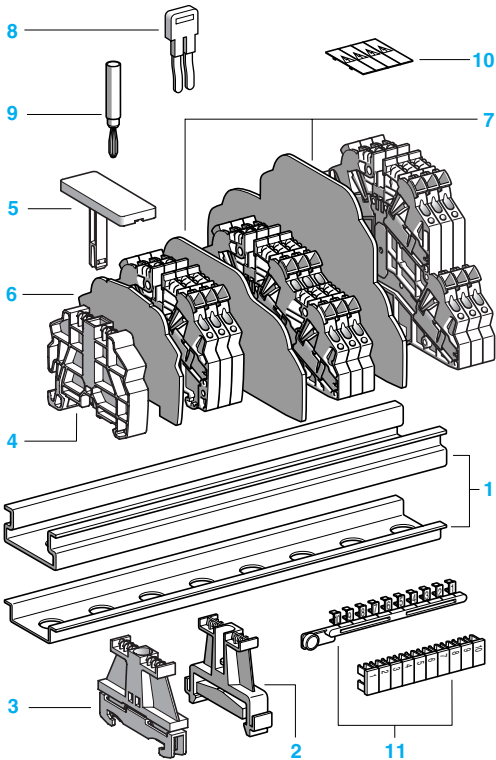
See the table on 1/13.

Terminal blocks

	No. points	Sold in lots of	Catalog number	Weight oz (g)
Gray	4	50	AB1AA135U4GR	1.08 (30.7)
Blue	4	50	AB1AA135U4BL	1.08 (30.7)

Accessories

2	Plastic end clamp with screw	Width 0.3 in. (8 mm) on ± 5 or ± 5	—	100	AB1AB8P35	0.21 (5.9)
3	Metal end clamp with screw	Width 0.3 in. (8 mm) on ± 5 or ± 5	—	100	AB1AB8M35	0.52 (14.8)
4	Clip-on plastic end clamp	Width 0.3 in. (8 mm) on ± 5 or ± 5	—	100	AB1AB8R35	0.21 (5.9)
5	Marker tag holder for clip-on plastic end clamp		—	10	AB1SB4	0.11 (3.1)
6	End plate	Gray	—	10	AB1AAAC124GR	0.36 (10.3)
		Blue	—	10	AB1AAAC124BL	0.36 (10.3)
7	Partition plate	Gray	—	10	AB1AAAS124GR	0.41 (11.5)
		Blue	—	10	AB1AAAS124BL	0.41 (11.5)
8	Insulated jumper	2-pole	—	10	AB1RRAL22	0.04 (1.1)
		3-pole	—	10	AB1RRAL23	0.08 (2.2)
		4-pole	—	10	AB1RRAL24	0.10 (2.8)
		5-pole	—	10	AB1RRAL25	0.20 (5.6)
		10-pole	—	20	AB1RRAL210	0.07 (1.9)
9	Test plug	Red	—	50	AB1AT1	0.06 (1.7)
10	Terminal cover		4	10	AB1AACS1JA	0.014 (0.4)
11	Marking accessories		See pages 5/2 and 5/3.			



Terminal Blocks, Type AB1

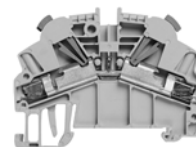
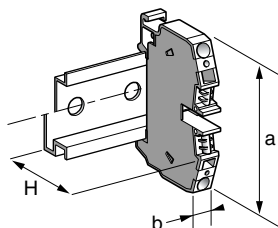
Insulation displacement technology

Passthrough

Clip-on mounting on 35 mm $\frac{25}{100}$ rails

Nominal wire size

2.5 mm²



AB1AA235U2**

Approximate dimensions, in. (mm)

1	Length (a)	2.64 (67)
	Width (b)	0.24 (6)
	Height (H) $\frac{25}{100}$ rail with $\frac{25}{100}$ rail	2.26 (57.5)

Wire size, mm²

1	Stranded without cable end	1–2.5
	Stranded with cable end	—
	Solid	1–2.5

Nominal electrical values

1	IEC/EN 60947-7-1	800 V / 8 kV / 3–24 A
	UL File E164359 CCN XCFR2	18–14 AWG Cu, 600 V, 13 A
	CSA File 702070 Class 6228 01	16–14 AWG Cu, 600 V, 20 A
	ATEX Exe II II 2 GD	2.5 mm ² , 750 V, 24 A, KEMA 02 ATEX 2113 U

Certifications

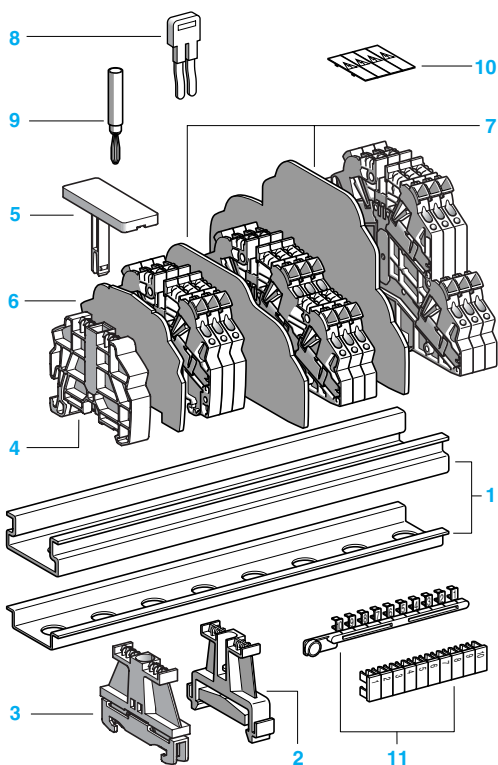
See the table on 1/13.

Terminal blocks

	No. points	Sold in lots of	Catalog number	Weight oz (g)
Gray	2	100	AB1AA235U2GR	0.50 (14.1)
Blue	2	100	AB1AA235U2BL	0.50 (14.1)

Accessories

2	Plastic end clamp with screw	Width 0.3 in. (8 mm) on $\frac{25}{100}$ or $\frac{35}{100}$	—	100	AB1AB8P35	0.21 (5.9)
3	Metal end clamp with screw	Width 0.3 in. (8 mm) on $\frac{25}{100}$ or $\frac{35}{100}$	—	100	AB1AB8M35	0.52 (14.8)
4	Clip-on plastic end clamp	Width 0.3 in. (8 mm) on $\frac{25}{100}$ or $\frac{35}{100}$	—	100	AB1AB8R35	0.21 (5.9)
5	Marker tag holder for clip-on plastic end clamp		—	10	AB1SB4	0.11 (3.1)
6	End plate thickness	Gray	—	10	AB1AAAC122GR	0.16 (4.4)
		Blue	—	10	AB1AAAC122BL	0.16 (4.4)
7	Partition plate thickness	Gray	—	10	AB1AAAS122GR	0.19 (5.3)
		Blue	—	10	AB1AAAS122BL	0.19 (5.3)
8	Insulated jumper	2-pole	—	10	AB1RRAL42	0.06 (1.6)
		3-pole	—	10	AB1RRAL43	0.06 (1.7)
		4-pole	—	10	AB1RRAL44	0.10 (2.8)
		5-pole	—	10	AB1RRAL45	0.20 (5.6)
		10-pole	—	20	AB1RRAL410	0.07 (1.9)
9	Test plug	Red	—	50	AB1AT1	0.06 (1.7)
10	Terminal cover		4	10	AB1AACS1JA	0.014 (0.4)
11	Marking accessories		See pages 5/2 and 5/3.			



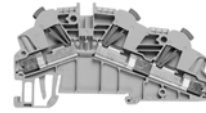
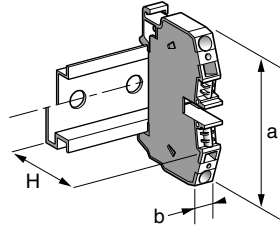
Terminal Blocks, Type AB1

Insulation displacement technology Passthrough

Clip-on mounting on 35 mm $\Sigma 5$ rails

Nominal wire size

2.5 mm²



AB1AA235U3**

Approximate dimensions, in. (mm)

1	Length (a)	3.63 (92.1)
	Width (b)	0.24 (6)
	Height (H) $\Sigma 5$ rail with $\Sigma 5$ rail	2.26 (57.5) 1.97 (50)

Wire size, mm²

Stranded without cable end	1–2.5
Stranded with cable end	—
Solid	1–2.5

Nominal electrical values

IEC/EN 60947-7-1	800 V / 8 kV / 3–24 A
UL File E164359 CCN XCFR2	18–14 AWG Cu, 600 V, 10 A
CSA File 702070 Class 6228 01	16–14 AWG Cu, 600 V, 20 A
ATEX Exe II II 2 GD	2.5 mm ² , 750 V, 24 A, KEMA 02 ATEX 2113 U

Certifications

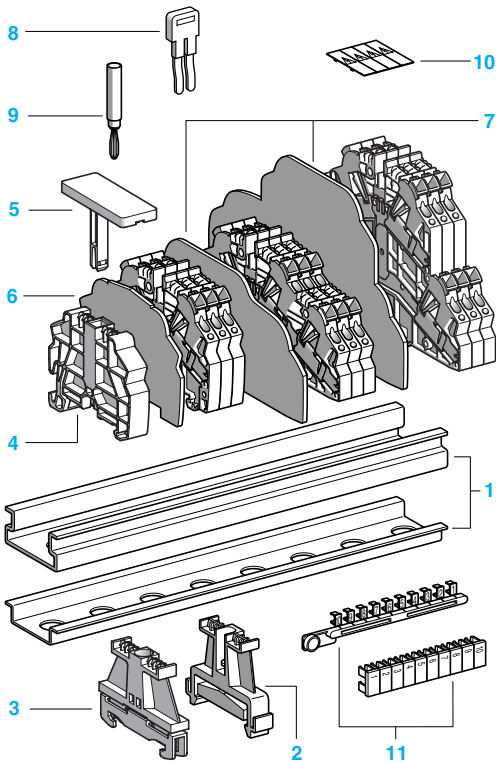
See the table on 1/13.

Terminal blocks

	No. points	Sold in lots of	Catalog number	Weight oz (g)
Gray	3	50	AB1AA235U3GR	0.69 (19.5)
Blue	3	50	AB1AA235U3BL	0.69 (19.5)

Accessories

2	Plastic end clamp with screw	Width 0.3 in. (8 mm) on $\Sigma 5$ or $\Sigma 7$	—	100	AB1AB8P35	0.21 (5.9)
3	Metal end clamp with screw	Width 0.3 in. (8 mm) on $\Sigma 5$ or $\Sigma 7$	—	100	AB1AB8M35	0.52 (14.8)
4	Clip-on plastic end clamp	Width 0.3 in. (8 mm) on $\Sigma 5$ or $\Sigma 7$	—	100	AB1AB8R35	0.21 (5.9)
5	Marker tag holder for clip-on plastic end clamp		—	10	AB1SB4	0.11 (3.1)
6	End plate thickness	Gray	—	10	AB1AAAC123GR	0.20 (5.7)
		Blue	—	10	AB1AAAC123BL	0.20 (5.7)
7	Partition plate thickness	Gray	—	10	AB1AAAS123GR	0.25 (7.1)
		Blue	—	10	AB1AAAS123BL	0.25 (7.1)
8	Insulated jumper	2-pole	—	10	AB1RRAL42	0.06 (1.6)
		3-pole	—	10	AB1RRAL43	0.08 (2.4)
		4-pole	—	10	AB1RRAL44	0.11 (3.2)
		5-pole	—	10	AB1RRAL45	0.14 (4.0)
		10-pole	—	20	AB1RRAL410	0.28 (8.0)
9	Test plug	Red	—	50	AB1AT1	0.06 (1.7)
10	Terminal cover		4	10	AB1AACS1JA	0.014 (0.4)
11	Marking accessories		See pages 5/2 and 5/3.			



Terminal Blocks, Type AB1

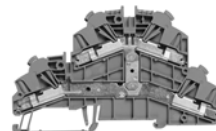
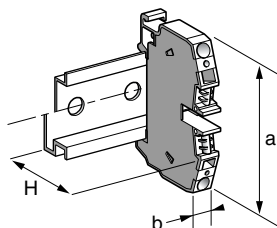
Insulation displacement technology

Passthrough

Clip-on mounting on 35 mm $\frac{25}{8}$ rails

Nominal wire size

2.5 mm²



AB1AA235U4**

Approximate dimensions, in. (mm)

1	Length (a)	4.71 (119.7)
	Width (b)	0.24 (6)
	Height (H) $\frac{25}{8}$ rail with $\frac{25}{8}$ rail	3.13 (79.5)

Wire size, mm²

Stranded without cable end	1–2.5
Stranded with cable end	—
Solid	1–2.5

Nominal electrical values

IEC/EN 60947-7-1	500 V / 6 kV / 3–24 A
UL File E164359 CCN XCFR2	18–14 AWG Cu, 600 V, 10 A
CSA File 702070 Class 6228 01	16–14 AWG Cu, 600 V, 20 A
ATEX Exe II II 2 GD	2.5 mm ² , 550 V, 24 A, KEMA 02 ATEX 2113 U

Certifications

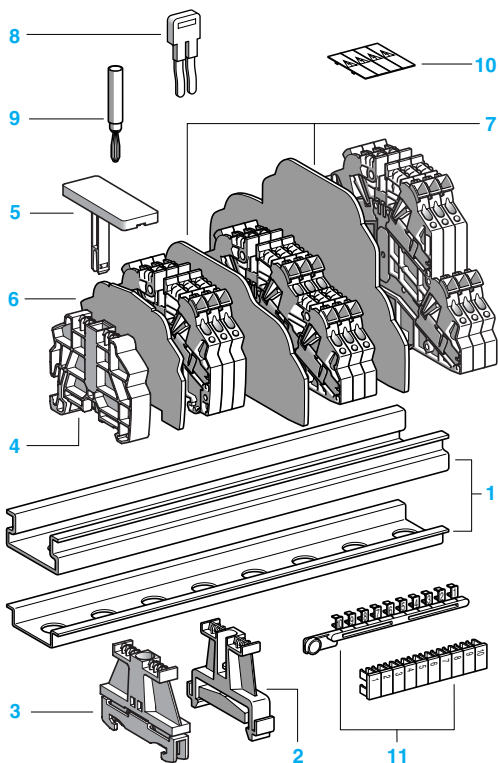
See the table on 1/13.

Terminal blocks

	No. points	Sold in lots of	Catalog number	Weight oz (g)
Gray	4	50	AB1AA235U4GR	1.20 (34.1)
Blue	4	50	AB1AA235U4BL	1.20 (34.1)

Accessories

2	Plastic end clamp with screw	Width 0.3 in. (8 mm) on $\frac{25}{8}$ or $\frac{25}{8}$	—	100	AB1AB8P35	0.21 (5.9)
3	Metal end clamp with screw	Width 0.3 in. (8 mm) on $\frac{25}{8}$ or $\frac{25}{8}$	—	100	AB1AB8M35	0.52 (14.8)
4	Clip-on plastic end clamp	Width 0.3 in. (8 mm) on $\frac{25}{8}$ or $\frac{25}{8}$	—	100	AB1AB8R35	0.21 (5.9)
5	Marker tag holder for clip-on plastic end clamp		—	10	AB1SB4	0.11 (3.1)
6	End plate thickness	Gray	—	10	AB1AAAC124GR	0.36 (10.3)
		Blue	—	10	AB1AAAC124BL	0.36 (10.3)
7	Partition plate thickness	Gray	—	10	AB1AAAS124GR	0.41 (11.5)
		Blue	—	10	AB1AAAS124BL	0.41 (11.5)
8	Insulated jumper	2-pole	—	10	AB1RRAL42	0.06 (1.6)
		3-pole	—	10	AB1RRAL43	0.08 (2.4)
		4-pole	—	10	AB1RRAL44	0.11 (3.2)
		5-pole	—	10	AB1RRAL45	0.14 (4.0)
		10-pole	—	20	AB1RRAL410	0.28 (8.0)
9	Test plug	Red	—	50	AB1AT1	0.06 (1.7)
10	Terminal cover		4	10	AB1AACS1JA	0.014 (0.4)
11	Marking accessories		See pages 5/2 and 5/3.			



Terminal Blocks, Type AB1

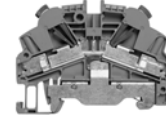
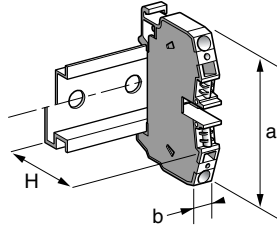
Insulation displacement technology

Grounding type

Clip-on mounting on 35 mm $\frac{25}{8}$ rails

Nominal wire size

1 mm²



AB1AATP135U2**

Approximate dimensions, in. (mm)

1	Length (a)	2.64 (67)
	Width (b)	0.20 (5)
	Height (H) $\frac{25}{8}$ rail with $\frac{25}{8}$ rail	2.26 (57.5) 1.97 (50)

Wire size, mm²

Stranded without cable end	0.2-1
Stranded with cable end	—
Solid	0.2-1

Nominal electrical values

IEC/EN 60947-7-1	800 V / 8 kV / 3-13.5 A
UL File E164359 CCN XCFR2	30-18 AWG Cu, 600 V, 13 A
CSA File 702070 Class 6228 01	24-18 AWG Cu, 600 V, 120 A
ATEX - EEx eII II 2 GD	1 mm ² , KEMA 02 ATEX 2113 U

Certifications

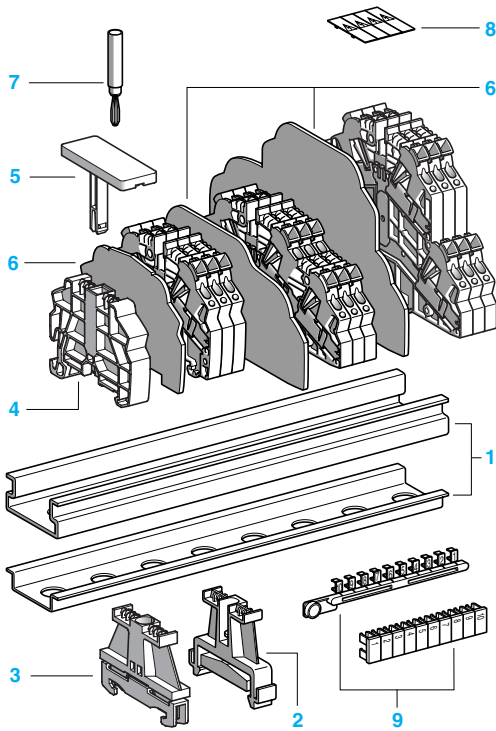
See the table on page 1/13.

Terminal blocks

	No. points	Sold in lots of	Catalog number	Weight oz (g)
Green/yellow	2	100	AB1AATP135U2	0.64 (18.1)

Accessories

2	Plastic end clamp with screw	Width 0.3 in. (8 mm) on $\frac{25}{8}$ or $\frac{25}{8}$	—	100	AB1AB8P35	0.21 (5.9)
3	Metal end clamp with screw	Width 0.3 in. (8 mm) on $\frac{25}{8}$ or $\frac{25}{8}$	—	100	AB1AB8M35	0.52 (14.8)
4	Clip-on plastic end clamp	Width 0.3 in. (8 mm) on $\frac{25}{8}$ or $\frac{25}{8}$	—	100	AB1AB8R35	0.21 (5.9)
5	Marker tag holder for clip-on plastic end clamp		—	10	AB1SB4	0.11 (3.1)
6	End plate	Green, thickness 0.06 in. (1.5 mm)	—	10	AB1AAAC122VE	0.11 (3.2)
7	Test plug	Red	—	50	AB1AT1	0.06 (1.7)
8	Terminal cover		4	10	AB1AACS1JA	0.014 (0.4)
9	Marking accessories		See pages 5/2 and 5/3.			



Terminal Blocks, Type AB1

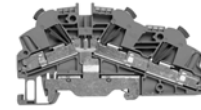
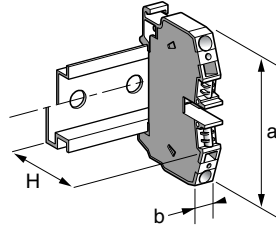
Insulation displacement technology

Grounding type

Clip-on mounting on 35 mm $\frac{25}{100}$ rails

Nominal wire size

1 mm²



AB1AATP135U3

Approximate dimensions, in. (mm)

	Length (a)	3.63 (92.1)
	Width (b)	0.20 (5)
1	Height (H) $\frac{25}{100}$ rail	2.26 (57.5)
	with $\frac{25}{100}$ rail	1.97 (50)

Wire size, mm²

Stranded without cable end	0.2–1
Stranded with cable end	—
Solid	0.2–1

Nominal electrical values

IEC/EN 60947-7-1	800 V / 8 kV / 3–13.5 A
UL File E164359 CCN XCFR2	30–18 AWG Cu, 600 V, 10 A
CSA File 702070 Class 6228 01	24–18 AWG Cu, 120 A
ATEX - EEx ell II 2 GD	1 mm ² , KEMA 02 ATEX 2113 U

Certifications

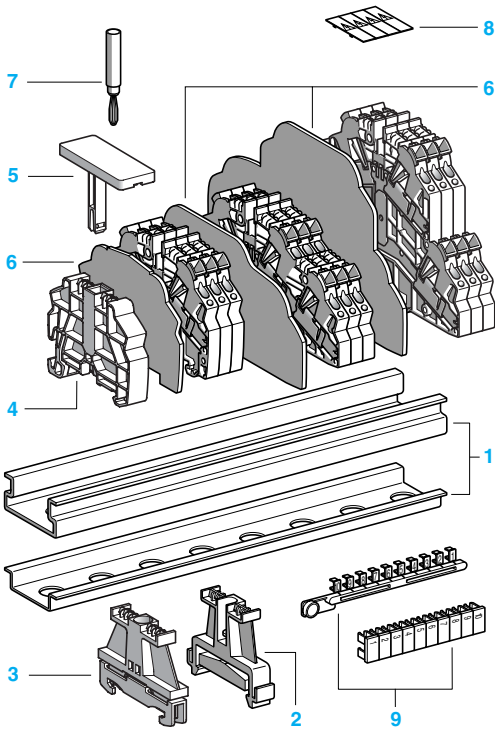
See the table on page 1/13.

Terminal blocks

	No. points	Sold in lots of	Catalog number	Weight oz (g)
Green/yellow	3	50	AB1AATP135U3	0.82 (23.2)

Accessories

2	Plastic end clamp with screw	Width 0.3 in. (8 mm) on $\frac{25}{100}$ or $\frac{35}{100}$	—	100	AB1AB8P35	0.21 (5.9)
3	Metal end clamp with screw	Width 0.3 in. (8 mm) on $\frac{25}{100}$ or $\frac{35}{100}$	—	100	AB1AB8M35	0.52 (14.8)
4	Clip-on plastic end clamp	Width 0.3 in. (8 mm) on $\frac{25}{100}$ or $\frac{35}{100}$	—	100	AB1AB8R35	0.21 (5.9)
5	Marker tag holder for clip-on plastic end clamp		—	10	AB1SB4	0.11 (3.1)
6	End plate	Green, thickness 0.06 in. (1.5 mm)	—	10	AB1AAAC123VE	0.20 (5.7)
7	Test plug	Red	—	50	AB1AT1	0.06 (1.7)
8	Terminal cover		4	10	AB1AACS1JA	0.014 (0.4)
9	Marking accessories		See pages 5/2 and 5/3.			



Terminal Blocks, Type AB1

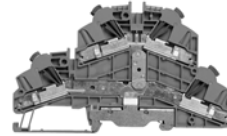
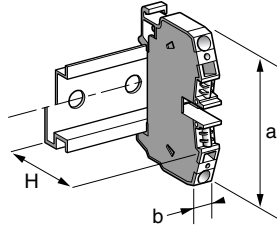
Insulation displacement technology

Grounding type

Clip-on mounting on 35 mm $\frac{25}{8}$ rails

Nominal wire size

1 mm²



AB1AATP135U4

Approximate dimensions, in. (mm)

1	Length (a)	4.71 (119.7)
	Width (b)	0.20 (5)
	Height (H) $\frac{25}{8}$ rail with $\frac{25}{8}$ rail	3.13 (79.5) 2.83 (72)

Wire size, mm²

Stranded without cable end	0.2–1
Stranded with cable end	—
Solid	0.2–1

Nominal electrical values

IEC/EN 60947-7-1	500 V / 6 kV / 3–13.5 A
UL File E164359 CCN XCFR2	30–18 AWG Cu, 600 V, 10 A
CSA File 702070 Class 6228 01	24–18 AWG Cu, 120 A
ATEX - EEx eII II 2 GD	1 mm ² , KEMA 02 ATEX 2113 U

Certifications

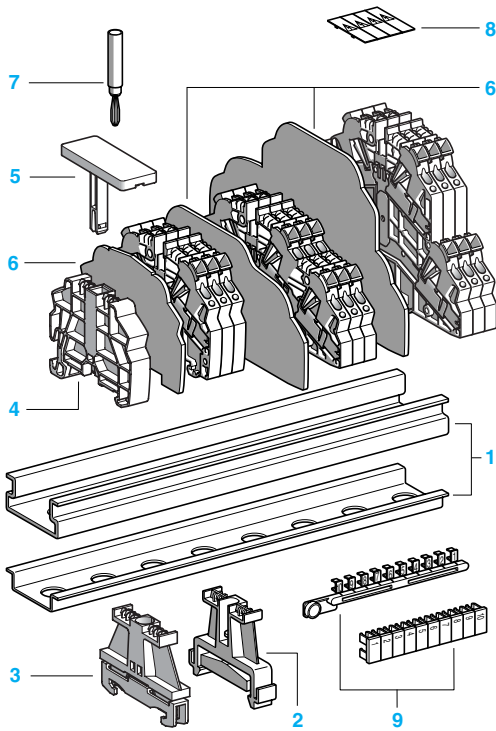
See the table on page 1/13.

Terminal blocks

	No. points	Sold in lots of	Catalog number	Weight oz (g)
Green/yellow	4	50	AB1AATP135U4	1.28 (36.2)

Accessories

2	Plastic end clamp with screw	Width 0.3 in. (8 mm) on $\frac{25}{8}$ or $\frac{25}{8}$	—	100	AB1AB8P35	0.21 (5.9)
3	Metal end clamp with screw	Width 0.3 in. (8 mm) on $\frac{25}{8}$ or $\frac{25}{8}$	—	100	AB1AB8M35	0.52 (14.8)
4	Clip-on plastic end clamp	Width 0.3 in. (8 mm) on $\frac{25}{8}$ or $\frac{25}{8}$	—	100	AB1AB8R35	0.21 (5.9)
5	Marker tag holder for clip-on plastic end clamp		—	10	AB1SB4	0.11 (3.1)
6	End plate	Green, thickness 0.06 in. (1.5 mm)	—	10	AB1AAAC124VE	0.36 (10.3)
7	Test plug	Red	—	50	AB1AT1	0.06 (1.7)
8	Terminal cover		4	10	AB1AACS1JA	0.014 (0.4)
9	Marking accessories		See pages 5/2 and 5/3.			



Terminal Blocks, Type AB1

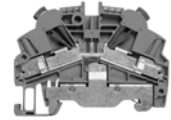
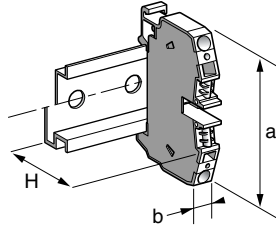
Insulation displacement technology

Grounding type

Clip-on mounting on 35 mm $\frac{25}{100}$ rails

Nominal wire size

2.5 mm²



AB1AATP235U2

Approximate dimensions, in. (mm)

1	Length (a)	2.64 (67)
	Width (b)	0.24 (6)
	Height (H) $\frac{25}{100}$ rail	2.26 (57.5)
	with $\frac{100}{100}$ rail	1.97 (50)

Wire size, mm²

Stranded without cable end	1–2.5
Stranded with cable end	—
Solid	1–2.5

Nominal electrical values

IEC/EN 60947-7-1	800 V / 8 kV / 3–24 A
UL File E164359 CCN XCFR2	18–14 AWG Cu, 600 V, 13 A
CSA File 702070 Class 6228 01	16–14 AWG Cu, 300 A
ATEX - EEx ell II 2 GD	2.5 mm ² , KEMA 02 ATEX 2113 U

Certifications

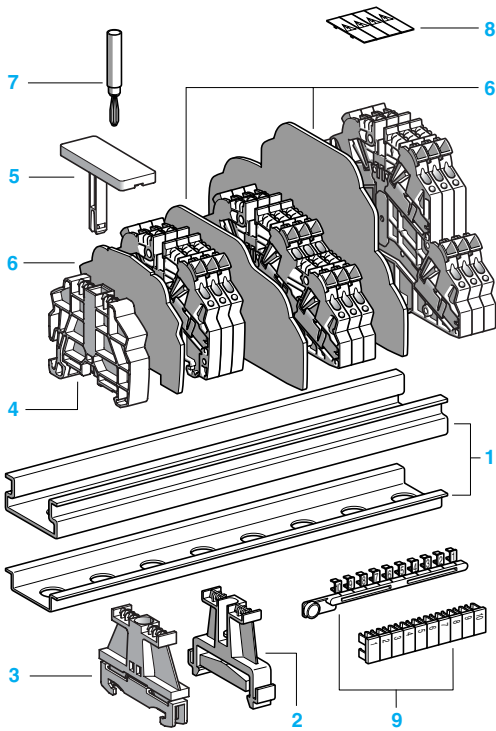
See the table on page 1/13.

Terminal blocks

	No. points	Sold in lots of	Catalog number	Weight oz (g)
Green/Yellow	2	100	AB1AATP235U2	0.71 (20.0)

Accessories

2	Plastic end clamp with screw	Width 0.3 in. (8 mm) on $\frac{25}{100}$ or $\frac{100}{100}$	—	100	AB1AB8P35	0.21 (5.9)
3	Metal end clamp with screw	Width 0.3 in. (8 mm) on $\frac{25}{100}$ or $\frac{100}{100}$	—	100	AB1AB8M35	0.52 (14.8)
4	Clip-on plastic end clamp	Width 0.3 in. (8 mm) on $\frac{25}{100}$ or $\frac{100}{100}$	—	100	AB1AB8R35	0.21 (5.9)
5	Marker tag holder for clip-on plastic end clamp		—	10	AB1SB4	0.11 (3.1)
6	End plate	Green, thickness 0.06 in. (1.5 mm)	—	10	AB1AAC122VE	0.16 (4.4)
7	Test plug	Red	—	50	AB1AT1	0.06 (1.7)
8	Terminal cover		4	10	AB1ACS1JA	0.014 (0.4)
9	Marking accessories		See pages 5/2 and 5/3.			



Terminal Blocks, Type AB1

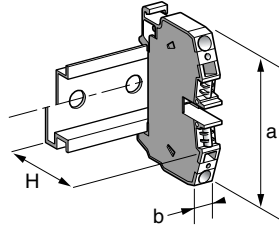
Insulation displacement technology

Grounding type

Clip-on mounting on 35 mm $\frac{25}{8}$ rails

Nominal wire size

2.5 mm²



AB1AATP235U3

Approximate dimensions, in. (mm)

Length (a)	3.63 (92.1)
Width (b)	0.24 (6)
Height (H) $\frac{25}{8}$ rail	2.26 (57.5)
with $\frac{25}{8}$ rail	1.97 (50)

Wire size, mm²

Stranded without cable end	1–2.5
Stranded with cable end	—
Solid	1–2.5

Nominal electrical values

IEC/EN 60947-7-1	800 V / 8 kV / 3–24 A
UL File E164359 CCN XCFR2	18–14 AWG Cu, 600V, 10 A
CSA File 702070 Class 6228 01	16–14 AWG Cu, 300 A
ATEX - EEx ell II 2 GD	2.5 mm ² , KEMA 02 ATEX 2113 U

Certifications

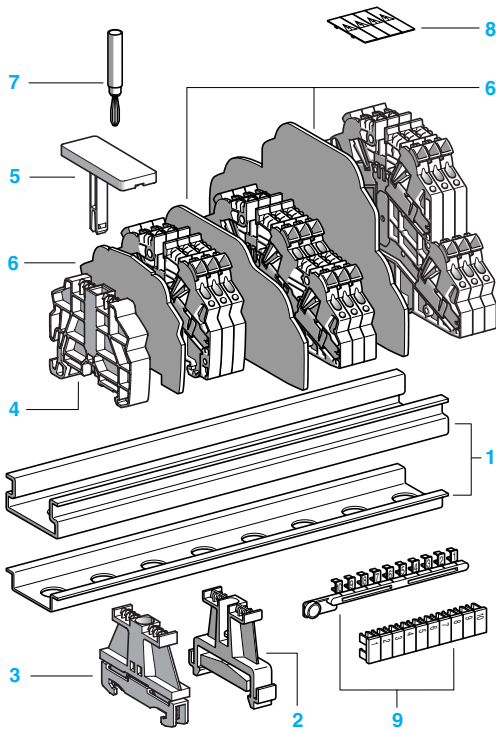
See the table on page 1/13.

Terminal blocks

	No. points	Sold in lots of	Catalog number	Weight oz (g)
Green/Yellow	3	50	AB1AATP235U3	0.87 (24.8)

Accessories

2	Plastic end clamp with screw	Width 0.3 in. (8 mm) on $\frac{25}{8}$ or $\frac{25}{8}$	—	100	AB1AB8P35	0.21 (5.9)
3	Metal end clamp with screw	Width 0.3 in. (8 mm) on $\frac{25}{8}$ or $\frac{25}{8}$	—	100	AB1AB8M35	0.52 (14.8)
4	Clip-on plastic end clamp	Width 0.3 in. (8 mm) on $\frac{25}{8}$ or $\frac{25}{8}$	—	100	AB1AB8R35	0.21 (5.9)
5	Marker tag holder for clip-on plastic end clamp		—	10	AB1SB4	0.11 (3.1)
6	End plate	Green, thickness 0.06 in. (1.5 mm)	—	10	AB1AAC123VE	0.20 (5.7)
7	Test plug	Red	—	50	AB1AT1	0.06 (1.7)
8	Terminal cover		4	10	AB1ACS1JA	0.014 (0.4)
9	Marking accessories		See pages 5/2 and 5/3.			



Terminal Blocks, Type AB1

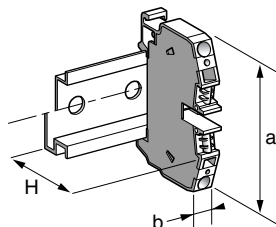
Insulation displacement technology

Grounding type

Clip-on mounting on 35 mm $\frac{25}{8}$ rails

Nominal wire size

2.5 mm²



AB1AATP235U4

Approximate dimensions, in. (mm)

Length (a)	4.71 (119.7)
Width (b)	0.24 (6)
Height (H)	$\frac{25}{8}$ rail
	with $\frac{25}{8}$ rail
	3.13 (79.5)
	2.83 (72)

Wire size, mm²

Stranded without cable end	1–2.5
Stranded with cable end	—
Solid	1–2.5

Nominal electrical values

IEC/EN 60947-7-1	500 V / 6 kV / 3–24 A
UL File E164359 CCN XCFR2	18–14 AWG Cu, 600 V, 10 A
CSA File 702070 Class 6228 01	16–14 AWG Cu, 300 A
ATEX - EEx ell II 2 GD	2.5 mm ² , KEMA 02 ATEX 2113 U

Certifications

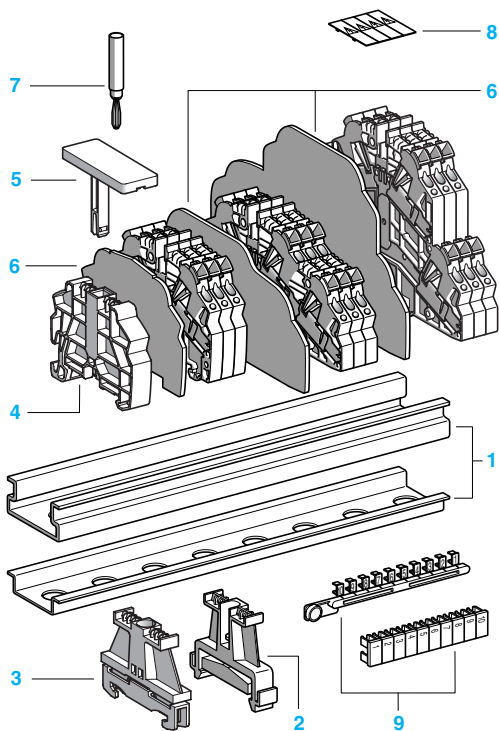
See the table on page 1/13.

Terminal blocks

	No. points	Sold in lots of	Catalog number	Weight oz (g)
Green/Yellow	4	50	AB1AATP235U4	1.40 (39.7)

Accessories

2	Plastic end clamp with screw	Width 0.3 in. (8 mm) on $\frac{25}{8}$ or $\frac{25}{8}$	—	100	AB1AB8P35	0.21 (5.9)
3	Metal end clamp with screw	Width 0.3 in. (8 mm) on $\frac{25}{8}$ or $\frac{25}{8}$	—	100	AB1AB8M35	0.52 (14.8)
4	Clip-on plastic end clamp	Width 0.3 in. (8 mm) on $\frac{25}{8}$ or $\frac{25}{8}$	—	100	AB1AB8R35	0.21 (5.9)
5	Marker tag holder for clip-on plastic end clamp		—	10	AB1SB4	0.11 (3.1)
6	End plate	Green, thickness 0.06 in. (1.5 mm)	—	10	AB1AAC124VE	0.36 (10.3)
7	Test plug	Red	—	50	AB1AT1	0.06 (1.7)
8	Terminal cover		4	10	AB1ACS1JA	0.014 (0.4)
9	Marking accessories		See pages 5/2 and 5/3.			



Terminal Blocks, Type AB1

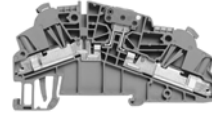
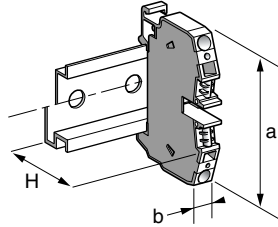
Insulation displacement technology

Blade disconnect type

Clip-on mounting on 35 mm $\underline{2.5}$ $\underline{1.5}$ rails

Nominal wire size

1 mm²



AB1AASC135U**

Approximate dimensions, in. (mm)

1	Length (a)	3.63 (92.1)
	Width (b)	0.24 (6)
	Height (H) $\underline{2.5}$ rail with $\underline{1.5}$ rail	2.26 (57.5) 1.97 (50)

Wire size, mm²

Stranded without cable end	0.2–1
Stranded with cable end	—
Solid	0.2–1

Nominal electrical values

IEC/EN 60947-7-1	800 V / 8 kV / 3–13.5 A
UL File E164359 CCN XCFR2	30–18 AWG Cu, 600 V, 10 A
CSA File 702070 Class 6228 01	24–18 AWG Cu, 300V, 7A

Certifications

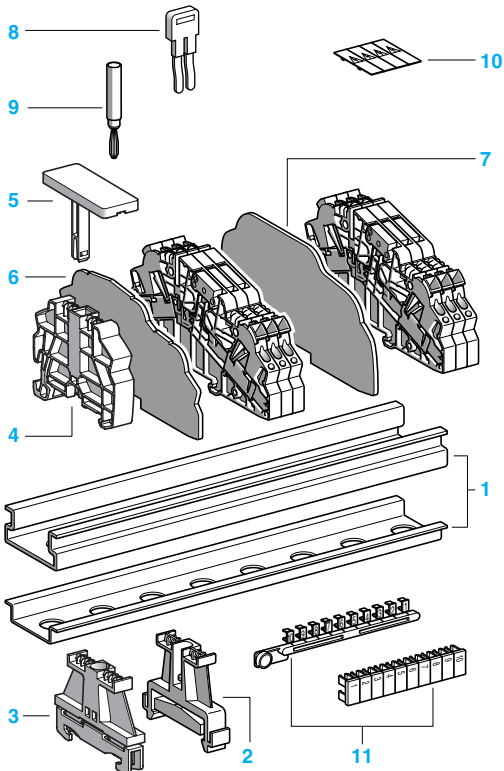
See the table on page 1/13.

Terminal blocks

	No. points	Sold in lots of	Catalog number	Weight oz (g)
Gray	2	50	AB1AASC135UGR	0.67 (19.1)
Blue	2	50	AB1AASC135UBL	0.67 (19.1)

Accessories

2	Plastic end clamp with screw	Width 0.3 in. (8 mm) on $\underline{2.5}$ or $\underline{1.5}$	—	100	AB1AB8P35	0.21 (5.9)
3	Metal end clamp with screw	Width 0.3 in. (8 mm) on $\underline{2.5}$ or $\underline{1.5}$	—	100	AB1AB8M35	0.52 (14.8)
4	Clip-on plastic end clamp	Width 0.3 in. (8 mm) on $\underline{2.5}$ or $\underline{1.5}$	—	100	AB1AB8R35	0.21 (5.9)
5	Marker tag holder for clip-on plastic end clamp		—	10	AB1SB4	0.11 (3.1)
6	End plate	Gray	—	10	AB1AAAC123GR	0.20 (5.7)
		Blue	—	10	AB1AAAC123BL	0.20 (5.7)
7	Partition plate	Gray	—	10	AB1AAAS123GR	0.25 (7.1)
		Blue	—	10	AB1AAAS123BL	0.25 (7.1)
8	Insulated jumper	2-pole	—	10	AB1RRAL42	0.06 (1.7)
		3-pole	—	10	AB1RRAL43	0.09 (2.5)
		4-pole	—	10	AB1RRAL44	0.12 (3.3)
		5-pole	—	10	AB1RRAL45	0.14 (4.1)
		10-pole	—	20	AB1RRAL410	0.29 (8.3)
9	Test plug	Red	—	50	AB1AT1	0.07 (1.9)
10	Terminal cover		4	10	AB1AACS1JA	0.014 (0.4)
11	Marking accessories		See pages 5/2 and 5/3.			



Terminal Blocks, Type AB1

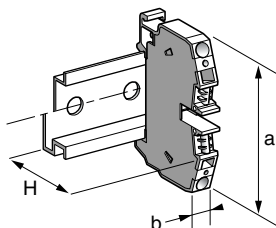
Insulation displacement technology

Blade disconnect type

Clip-on mounting on 35 mm $\frac{25}{16}$ rails

Nominal wire size

2.5 mm²



AB1AASC235U**

Approximate dimensions, in. (mm)

1	Length (a)	3.63 (92.1)
	Width (b)	0.24 (6)
	Height (H) $\frac{25}{16}$ rail with $\frac{16}{10}$ rail	2.26 (57.5)

Wire size, mm²

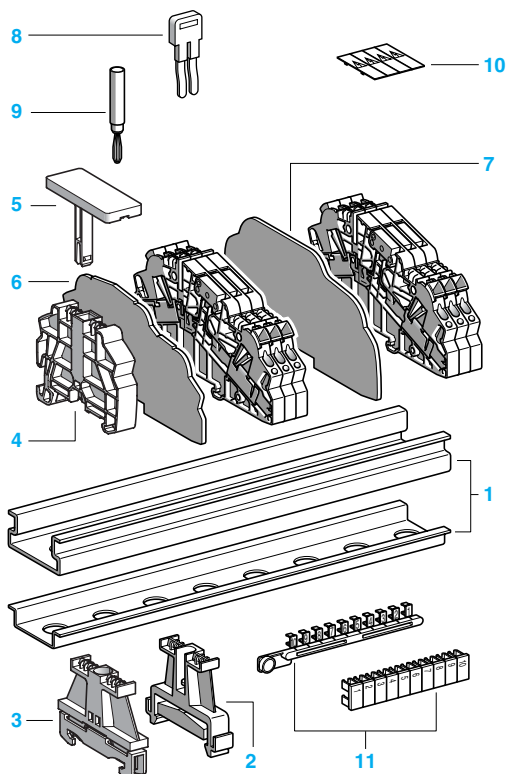
Stranded without cable end	1–2.5
Stranded with cable end	—
Solid	1–2.5

Nominal electrical values

IEC/EN 60947-7-1	800 V / 8 kV / 3–20 A
UL File E164359 CCN XCFR2	18–14 AWG Cu, 600 V, 10 A
CSA File 702070 Class 6228 01	16–14 AWG Cu, 300 V, 17 A

Certifications

See the table on page 1/13.



Terminal blocks

	No. points	Sold in lots of	Catalog number	Weight oz (g)
Gray	2	50	AB1AASC235UGR	0.69 (19.7)
Blue	2	50	AB1AASC235UBL	0.69 (19.7)

Accessories

2	Plastic end clamp with screw	Width 0.3 in. (8 mm) on $\frac{25}{16}$ or $\frac{16}{10}$	—	100	AB1AB8P35	0.21 (5.9)
3	Metal end clamp with screw	Width 0.3 in. (8 mm) on $\frac{25}{16}$ or $\frac{16}{10}$	—	100	AB1AB8M35	0.52 (14.8)
4	Clip-on plastic end clamp	Width 0.3 in. (8 mm) on $\frac{25}{16}$ or $\frac{16}{10}$	—	100	AB1AB8R35	0.21 (5.9)
5	Marker tag holder for clip-on plastic end clamp		—	10	AB1SB4	0.11 (3.1)
6	End plate thickness	Gray	—	10	AB1AAAC123GR	0.20 (5.7)
		Blue	—	10	AB1AAAC123BL	0.20 (5.7)
7	Partition plate thickness	Gray	—	10	AB1AAAS123GR	0.25 (7.1)
		Blue	—	10	AB1AAAS123BL	0.25 (7.1)
8	Insulated jumper	2-pole	—	10	AB1RRAL42	0.06 (1.6)
		3-pole	—	10	AB1RRAL43	0.08 (2.4)
		4-pole	—	10	AB1RRAL44	0.11 (3.2)
		5-pole	—	10	AB1RRAL45	0.14 (4.0)
		10-pole	—	20	AB1RRAL410	0.28 (8.0)
9	Test plug	Red	—	50	AB1AT1	0.06 (1.7)
10	Terminal cover		4	10	AB1AACS1JA	0.014 (0.4)
11	Marking accessories		See pages 5/2 and 5/3.			

Terminal Blocks, Type AB1

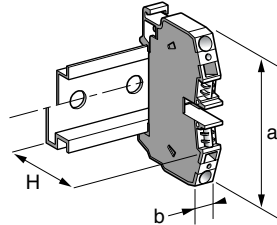
Insulation displacement technology

Disconnect (removable carrier) for diode or cylindrical fuse

Clip-on mounting on 35 mm \mathcal{E}_5 rails

Nominal wire size

1 mm²



Approximate dimensions, in. (mm)

Length (a)	
Width (b)	
Height (H)	\mathcal{E}_5 rail with \mathcal{E}_5 rail

AB1AASF135UGR

3.63 (92.1)
0.24 (6)
2.26 (57.5) + 0.75 (19) for carrier
1.97 (50) + 0.75 (19) for carrier

Wire size, mm²

Stranded w/o cable end	0.2-1
Stranded + cable end	—
Solid	0.2-1

Nominal electrical values (1), (2)

IEC/EN 60947-7-1	800 V / 8 kV / 3-13.5 A
UL File E164359 CCN XCFR2	30-18 AWG Cu, 600 V, 6.3 A
CSA File 702070 Class 6228 01	24-18 AWG Cu, 600V, 10 A

Certifications

See the table on page 1/13.

Terminal blocks (3)

		No. points	Sold in lots of	Catalog number	Weight oz (g)
	Gray	2	50	AB1AASF135UGR	0.62 (17.6)
10 Removable carrier	For diode or resistor	—	100	AB1SV1	0.16 (4.5)
	With diode 1N4007.1	—	100	AB1SV2	0.17 (4.7)
Removable carrier (for 5x20 fuse)	With fuse only	—	100	AB1SF520	0.16 (4.4)
	With 24 V red LED	—	100	AB1SF520B	0.17 (4.7)
	With 220 V red LED	—	100	AB1SF520M	0.17 (4.7)
Carrier, removable & pivoting	For 5 x 20 fuse	—	10	AB1SF520D	0.21 (6.0)
	For 6.3 x 32 fuse	—	10	AB1SF6332D	0.29 (8.2)

Accessories

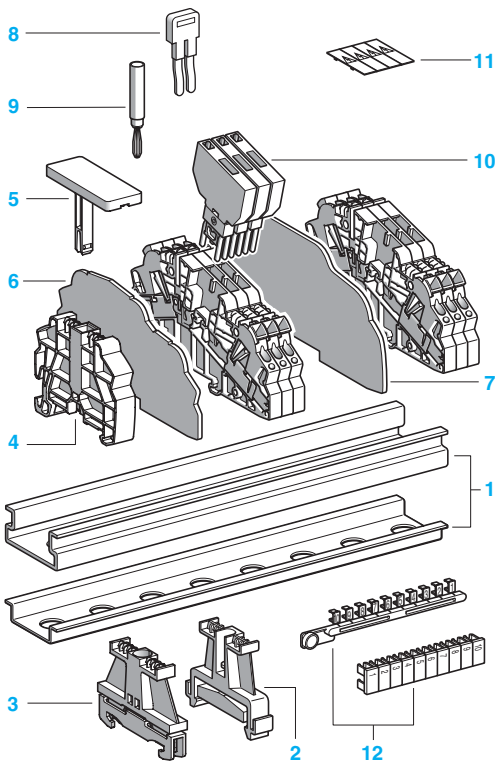
2 End clamp	Plastic	—	100	AB1AB8P35	0.21 (5.9)
3 with screw (4)	Metal	—	100	AB1AB8M35	0.52 (14.8)
4 Clip-on plastic end clamp (4)		—	100	AB1AB8R35	0.21 (5.9)
5 Marker tag holder for clip-on plastic end clamp		—	10	AB1SB4	0.11 (3.1)
6 End plate	Gray	—	10	AB1AAAC123GR	0.20 (5.7)
	thickness 0.06 in. (1.5 mm) Blue	—	10	AB1AAAC123BL	0.20 (5.7)
7 Partition plate	Gray	—	10	AB1AAAS123GR	0.25 (7.1)
	thickness 0.06 in. (1.5 mm) Blue	—	10	AB1AAAS123BL	0.25 (7.1)
8 Insulated jumper (5)		—	—	AB1RRAL4*	—
9 Test plug	Red	—	50	AB1AT1	0.07 (1.9)
11 Terminal cover		4	10	AB1AACS1JA	0.014 (0.4)
12 Marking accessories		See pages 5/2 and 5/3.			

Carrier characteristics

Nominal voltage (Power loss 1.5 W)	Position of terminal block	
	end	juxtaposed
250 V	6.3 A	4 A

Blown fuse indicator characteristics

Catalog number	Nominal voltage	Current consumption
AB1SF520B	24 V	10.3 mA
AB1SF520M	220-250 V	0.3 mA



- (1) The voltage/current carrying capacity is determined by the component (fuse and/or diode) used.
 (2) Repetitive peak reverse voltage for diodes is 1000 V.
 (3) Fuses and diodes not included, except for AB1SV2.
 (4) Width 0.3 in. (8 mm) on \mathcal{E}_5 or \mathcal{E}_7 .
 (5) Replace the * symbol with the number of poles (2, 3, 4, 5, or 10), for example, AB1RRAL45 (5-pole).

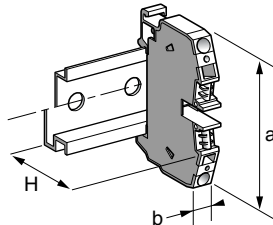
Terminal Blocks, Type AB1

Insulation displacement technology
Disconnect (removable carrier) for diode or cylindrical fuse

Clip-on mounting on 35 mm \mathcal{E}_5 rails

Nominal wire size

2.5 mm²



AB1AASF235UGR

Approximate dimensions, in. (mm)	Length (a)	3.63 (92.1)
	1	Width (b)
Height (H)		2.26 (57.5) + 0.75 (19) for carrier
	with \mathcal{E}_5 rail	1.97 (50) + 0.75 (19) for carrier

Wire size, mm²

Stranded w/o cable end	1-2.5
Stranded + cable end	—
Solid	1-2.5

Nominal electrical values (1), (2)

IEC/EN 60947-7-1	800 V / 8 kV / 3-20 A
UL File E164359 CCN XCFR2	18-14 AWG Cu, 600 V, 6.3 A
CSA File 702070 Class 6228 01	16-14 AWG Cu, 600 V, 10 A

Certifications

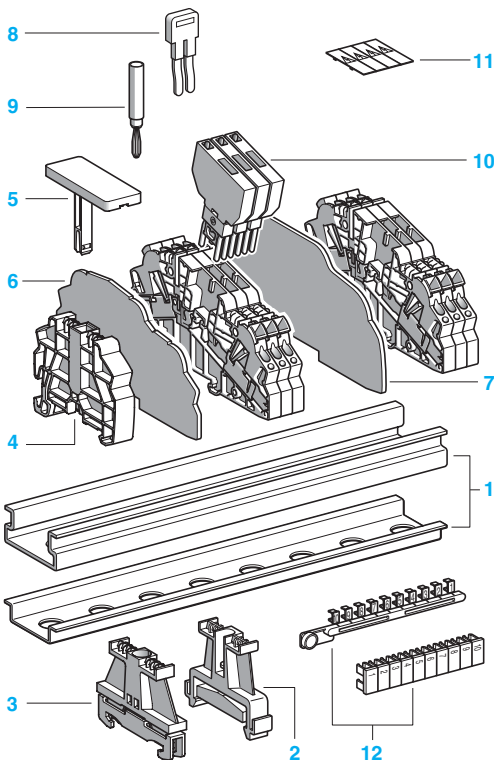
See the table on page 1/13.

Terminal blocks (3)

		No. points	Sold in lots of	Catalog number	Weight oz (g)
	Gray	2	50	AB1AASF235UGR	0.61 (17.2)
10 Removable carrier	For diode or resistor	—	100	AB1SV1	0.16 (4.5)
	With diode 1N4007.1	—	100	AB1SV2	0.17 (4.7)
	With fuse only	—	100	AB1SF520	0.16 (4.4)
Removable carrier (for 5x20 fuse)	With 24 V red LED	—	100	AB1SF520B	0.17 (4.7)
	With 220 V red LED	—	100	AB1SF520M	0.17 (4.7)
Carrier, removable & pivoting	For 5 x 20 fuse	—	10	AB1SF520D	0.21 (6.0)
	For 6.3 x 32 fuse	—	10	AB1SF6332D	0.29 (8.2)

Accessories

2 End clamp with screw (4)	Plastic	—	100	AB1AB8P35	0.21 (5.9)
	Metal	—	100	AB1AB8M35	0.52 (14.8)
4 Clip-on plastic end clamp(4)		—	100	AB1AB8R35	0.21 (5.9)
5 Marker tag holder for clip-on plastic end clamp		—	10	AB1SB4	0.11 (3.1)
6 End plate	Gray	—	10	AB1AAAC123GR	0.20 (5.7)
	thickness 0.06 in. (1.5 mm) Blue	—	10	AB1AAAC123BL	0.20 (5.7)
7 Partition plate	Gray	—	10	AB1AAAS123GR	0.25 (7.1)
	thickness 0.06 in. (1.5 mm) Blue	—	10	AB1AAAS123BL	0.25 (7.1)
8 Insulated jumper (5)		—	—	AB1RRAL4*	—
9 Test plug	Red	—	50	AB1AT1	0.07 (1.9)
11 Terminal cover		4	10	AB1AACS1JA	0.014 (0.4)
12 Marking accessories					See pages 5/2 and 5/3.



(1) The voltage/current carrying capacity is determined by the component (fuse and/or diode) used.

(2) Repetitive peak reverse voltage for diodes is 1000 V.

(3) Fuses and diodes not included, except for AB1SV2.

(4) Width 0.3 in. (8 mm) on \mathcal{E}_5 or \mathcal{E}_7 .

(5) Replace the * symbol with the number of poles (2, 3, 4, 5, or 10), for example, AB1RRAL45 (5-pole).

Terminal Blocks, Type AB1

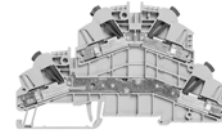
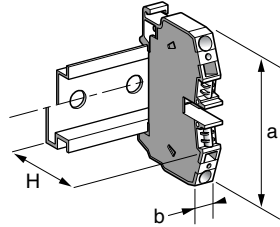
Insulation displacement technology

Double deck

Clip-on mounting on 35 mm $\frac{25}{8}$ rails

Nominal wire size

1 mm²



AB1AAET135UGR

Approximate dimensions, in. (mm)

1	Length (a)	4.71 (119.7)
	Width (b)	0.20 (5)
	Height (H) $\frac{25}{8}$ rail	3.13 (79.5)
	with $\frac{35}{8}$ rail	2.83 (72)

Wire size, mm²

Stranded without cable end	0.2–1
Stranded with cable end	—
Solid	0.2–1

Nominal electrical values (1)

IEC/EN 60947-7-1	500 V / 6 kV / 3–13.5 A
UL File E164359 CCN XCFR2	30–18 AWG Cu, 600 V, 13 A
CSA File 702070 Class 6228 01	24–18 AWG Cu, 600 V, 7 A
ATEX Exe II II 2 GD	1 mm ² , 550 / 420 V, 13.5 A, KEMA 02 ATEX 2113 U

Certifications

See the table on page 1/13.

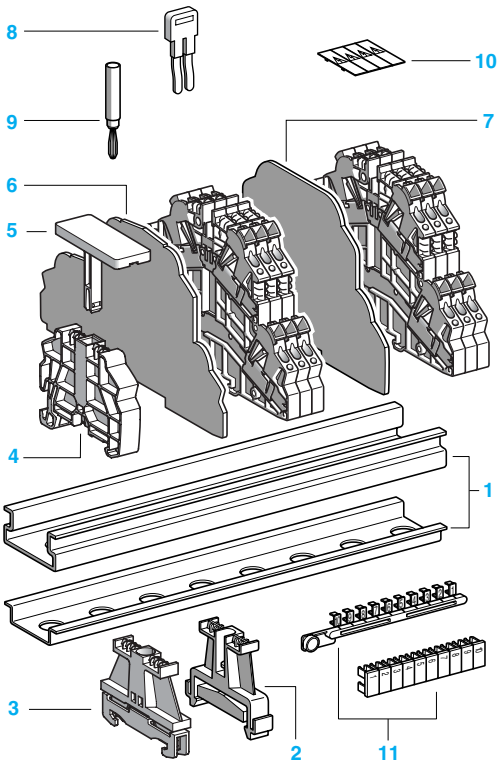
Terminal blocks

		No. points	Sold in lots of	Catalog number	Weight oz (g)
2 I, 2 O	Gray	2/2	50	AB1AAET135UGR	1.01 (28.6)
	Red	—	—	—	—
	Orange	—	—	—	—
24 V red LED	Red	—	—	—	—
	Orange	—	—	—	—

Accessories

2	Plastic end clamp with screw	Width 0.3 in. (8 mm) on $\frac{25}{8}$ or $\frac{35}{8}$	—	100	AB1AB8P35	0.21 (5.9)
3	Metal end clamp with screw	Width 0.3 in. (8 mm) on $\frac{25}{8}$ or $\frac{35}{8}$	—	100	AB1AB8M35	0.52 (14.8)
4	Clip-on plastic end clamp	Width 0.3 in. (8 mm) on $\frac{25}{8}$ or $\frac{35}{8}$	—	100	AB1AB8R35	0.21 (5.9)
5	Marker tag holder for clip-on plastic end clamp		—	10	AB1SB4	0.11 (3.1)
6	End plate	Gray, thickness 0.06 in. (1.5 mm)	—	10	AB1AAAC124GR	0.36 (10.3)
7	Partition plate	Gray, thickness 0.06 in. (1.5 mm)	—	10	AB1AAAS124GR	0.41 (11.5)
8	Insulated jumper	2-pole	—	10	AB1RRAL22	0.04 (1.1)
		3-pole	—	10	AB1RRAL23	0.06 (1.6)
		4-pole	—	10	AB1RRAL24	0.07 (2.1)
		5-pole	—	10	AB1RRAL25	0.10 (2.7)
		10-pole	—	20	AB1RRAL210	0.19 (5.4)
9	Test plug	Red	—	50	AB1AT1	0.06 (1.7)
10	Terminal cover		4	10	AB1AACS1JA	0.014 (0.4)
11	Marking accessories		See pages 5/2 and 5/3.			

(1) The voltage/current carrying capacity is determined by the component (fuse and/or diode) used.



Terminal Blocks, Type AB1

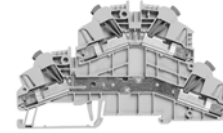
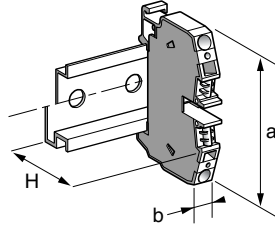
Insulation displacement technology

Double deck

Clip-on mounting on 35 mm $\frac{2.5}{\sim}$ rails

Nominal wire size

2.5 mm²



Approximate dimensions, in. (mm)	Length (a)		Width (b)		Height (H)	
	2.5 rail	with $\frac{2.5}{\sim}$ rail	2.5 rail	with $\frac{2.5}{\sim}$ rail	2.5 rail	with $\frac{2.5}{\sim}$ rail
1	4.71 (119.7)	—	0.24 (6)	—	3.13 (79.5)	2.83 (72)
	—	—	—	—	1–2.5	—
Wire size, mm ²	Stranded without cable end	—	Stranded with cable end	—	1–2.5	—
	—	—	—	—	—	—
	Solid	—	—	—	1–2.5	—
Nominal electrical values (1)	IEC/EN 60947-7-1	500 V / 6 kV / 3–24 A	UL File E164359	18–14 AWG Cu, 600 V, 22 A	CCN XCFR2	16–14 AWG Cu, 600 V, 20 A
	CSA File 702070	—	Class 6228 01	—	—	—
	ATEX Exe II II 2 GD	2.5 mm ² , 550 / 420 V, 21.5 A, KEMA 02 ATEX 2113 U	—	—	—	—
	—	—	—	—	—	—
	—	—	—	—	—	—

Certifications

Terminal blocks

		No. points	Sold in lots of	Catalog number	Weight oz (g)
2 I, 2 O	Gray	2/2	50	AB1AAET235UGR	1.15 (32.5)
	Red	2/2	50	AB1AAET235URO	1.15 (32.5)
	Orange	2/2	50	AB1AAET235UGE	1.15 (32.5)
24 V red LED	Red	4	50	AB1AAET235UBRO	1.11 (31.5)
	Orange	4	50	AB1AAET235UBGE	1.11 (31.5)

Accessories

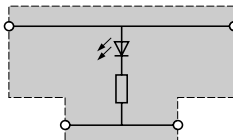
2	Plastic end clamp with screw	Width 0.3 in. (8 mm) on $\frac{2.5}{\sim}$ or $\frac{2.5}{\sim}$	—	100	AB1AB8P35	0.21 (5.9)
3	Metal end clamp with screw	Width 0.3 in. (8 mm) on $\frac{2.5}{\sim}$ or $\frac{2.5}{\sim}$	—	100	AB1AB8M35	0.52 (14.8)
4	Clip-on plastic end clamp	Width 0.3 in. (8 mm) on $\frac{2.5}{\sim}$ or $\frac{2.5}{\sim}$	—	100	AB1AB8R35	0.21 (5.9)
5	Marker tag holder for clip-on plastic end clamp	—	—	10	AB1SB4	0.11 (3.1)
6	End plate	Gray, thickness 0.06 in. (1.5 mm)	—	10	AB1AAAC124GR	0.36 (10.3)
7	Partition plate	Gray, thickness 0.06 in. (1.5 mm)	—	10	AB1AAAS124GR	0.41 (11.5)
8	Insulated jumper	2-pole	—	10	AB1RRAL42	0.06 (1.6)
		3-pole	—	10	AB1RRAL43	0.08 (2.4)
		4-pole	—	10	AB1RRAL44	0.11 (3.2)
		5-pole	—	10	AB1RRAL45	0.14 (4.0)
		10-pole	—	20	AB1RRAL410	0.28 (8.0)
9	Test plug	Red	—	50	AB1AT1	0.06 (1.7)
10	Terminal cover	—	4	10	AB1AACS1JA	0.014 (0.4)
11	Marking accessories	—	—	—	See pages 5/2 and 5/3.	—

(1) The voltage/current carrying capacity is determined by the component (fuse and/or diode) used.

Wiring diagrams

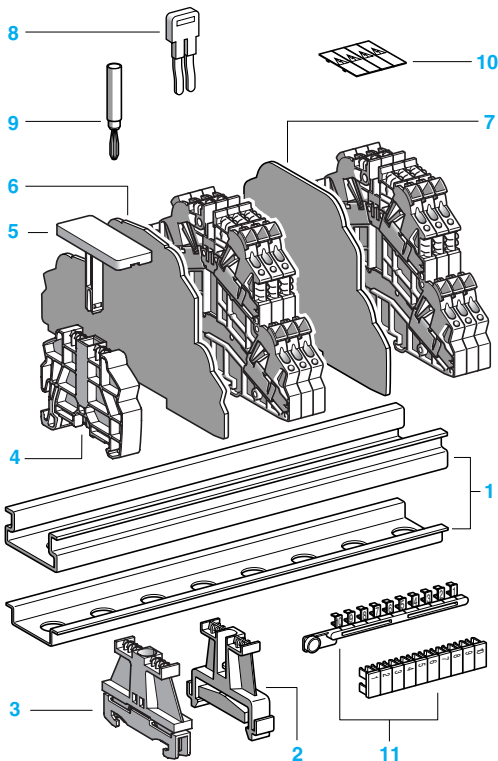
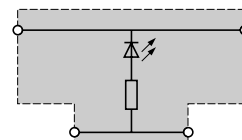
AB1AAET235UBRO

Resistance = 2.2 k Ω , 0.35 W, 24 Vdc



AB1AAET235UBGE

Resistance = 2.2 k Ω , 0.35 W, 24 Vdc



5 - Terminal Blocks, Type AB1 Marking and Mounting Accessories

	<i>Page</i>
Marking accessories for insulated cable ends . . .	5/2
Mounting track and end clamps	5/4

Clip-in marker strips

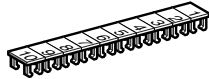
Description 10 consecutive figures or numbers

For complete catalog numbers, see below.

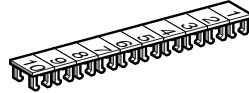
Characteristics:

Material: 6-6 polyamide
Color: black markings on white background

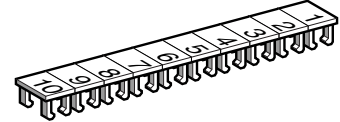
AB1B5***



AB1B6***



AB1B8***



Width 5 mm / 2.5 mm²

Sold in lots of 25 identical strips
Unit weight: 0.6 g

Marking	Strip catalog number
Blank	AB1BV5
1...10	AB1B510
11...20	AB1B520
21...30	AB1B530
31...40	AB1B540
41...50	AB1B550
51...60	AB1B560
61...70	AB1B570
71...80	AB1B580
81...90	AB1B590
91...100	AB1B5100
	L1
	L2
	L3
	+ Red
	- Blue

Width 6 mm / 4 mm²

Sold in lots of 25 identical strips
Unit weight: 0.7 g

Marking	Strip catalog number
Blank	AB1BV6
1...10	AB1B610
11...20	AB1B620
21...30	AB1B630
31...40	AB1B640
41...50	AB1B650
51...60	AB1B660
61...70	AB1B670
71...80	AB1B680
81...90	AB1B690
91...100	AB1B6100
	AB1B6L1
	AB1B6L2
	AB1B6L3
	AB1BV6RP
	AB1BV6BM

Width 0.3 in. (8 mm) / ≥ 6 mm²

Sold in lots of 25 identical strips
Unit weight: 0.7 g

Marking	Strip catalog number
Blank	AB1BV8
1...10	AB1B810
11...20	AB1B820
21...30	AB1B830
31...40	AB1B840
41...50	AB1B850
51...60	AB1B860
61...70	AB1B870
71...80	AB1B880
81...90	AB1B890
91...100	AB1B8100

Mounting options

- Terminal blocks with widths of 0.20, 0.24, or 0.31 in. (5, 6 or 8 mm):
Using marker strips that are the same width as the terminal block enables rapid marking in groups of 10.
- Terminal blocks with widths of 0.39 in. (10 mm) and above:
Marker strips can also be used by detaching the marker and clipping it into the terminal block.

Note: Each side of the terminal block can be fitted with a marker (1 to 3 figures).

Other versions

Marker strips available with number ranges from 101–110 up to 991–999

Applications

These marking accessories are for terminal block types AB1 or DB6, but they can also be used with other Telemecanique brand products such as thermal-magnetic protectors, modular contactors, and model D or F contactors.

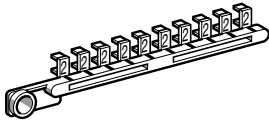
Strips of clip-in markers

10 identical numbers or symbols

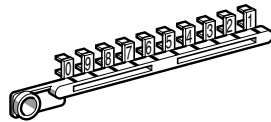
10 numbers 0 to 9

10 identical capital letters

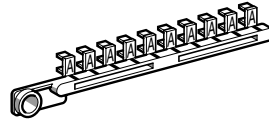
AB1R**



AB1R11



AB1G*



Sold in lots of 25 identical strips

Unit weight: 2 g

Marking	Catalog number of 10-number tag strip
Blank	AB1RV
1	AB1R1
2	AB1R2
3	AB1R3
4	AB1R4
5	AB1R5
6	AB1R6
7	AB1R7
8	AB1R8
9	AB1R9
0	AB1R0
+	AB1R12
-	AB1R13

Sold in lots of 25 identical strips

Unit weight: 2 g

Marking	Catalog number of 10-number tag strip
0...9	AB1R11

Sold in lots of 25 identical strips

Unit weight: 2 g

Marking	Catalog number of 10-letter tag strip	Marking	Catalog number of 10-letter tag strip
A	AB1GA	N	AB1GN
B	AB1GB	O	AB1GO
C	AB1GC	P	AB1GP
D	AB1GD	Q	AB1GQ
E	AB1GE	R	AB1GR
F	AB1GF	S	AB1GS
G	AB1GG	T	AB1GT
H	AB1GH	U	AB1GU
I	AB1GI	V	AB1GV
J	AB1GJ	W	AB1GW
K	AB1GK	X	AB1GX
L	AB1GL	Y	AB1GY
M	AB1GM	Z	AB1GZ

Note:

■ **Dimensions:** The dimensions of the clip-in markers on the strips are 0.18 x 0.11 in. (4.5 x 2.7 mm).

■ **Mounting options:** Each side of the terminal block can be fitted with 4 markers (each 1 number or letter) or, alternatively, 6 AB1R or AB1G markers (see above), by using holder AB1SR6.

Marking components

Holder for 6 markers

Blank clip-on marker

Clip-on marker with ground symbol ⚡ (black on white background)

Marker holder for screw fixing to any type of support

Adhesive marker holder for fixing to any type of support

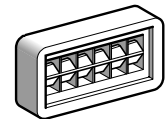
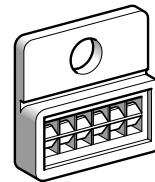
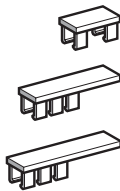
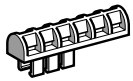
AB1SR6

AB1SA*

AB1RT

AR1SB2

AR1SB3



Sold in lots of 200

Sold in lots of 500

Sold in lots of 500

Sold in lots of 100

Sold in lots of 50

Unit weight: 0.6 g

Unit weight:
0.3 g (AB1SA1, AB1SA2)
0.4 g (AB1SA3)





Unit weight: 0.3 g

Unit weight: 1 g

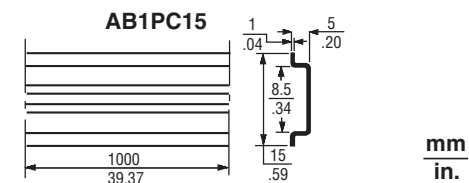
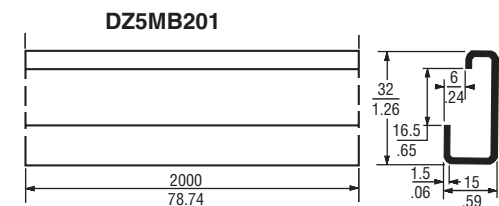
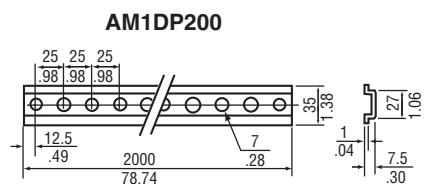
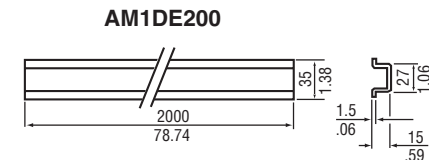
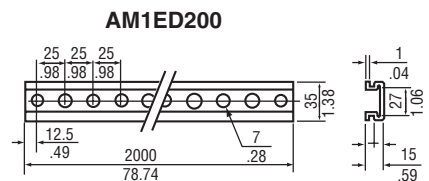
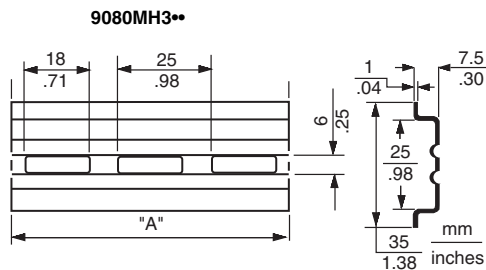
Unit weight: 1 g

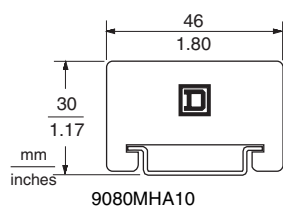
Holder for up to 6 markers	Size in. (mm)	Catalog number	Size in. (mm)	Catalog number	Size in. (mm)	Catalog number	Size in. (mm)	Catalog number
AB1R or AB1G	0.18 x 0.33 (4.5 x 8.3)	AB1SA1	0.18 x 0.33 (4.5 x 8.3)	AB1RT	0.79 x 0.79 (20 x 20)	AR1SB2	0.79 x 0.39 (20 x 10)	AR1SB3
	0.18 x 0.55 (4.5 x 14)	AB1SA2	—	—	—	—	—	—
	0.18 x 0.75 (4.5 x 19)	AB1SA3	—	—	—	—	—	—

Mounting Track

Description	Length in. (m)	Catalog Number	Std. ● Pack	Weight lb (kg)					
Class 9080 Type MH** Symmetrical rail 1.38 x 0.30 in. (35 x 7.5 mm) in compliance with EN50022 standard (DIN 46277-3)	Galvanized steel (no mounting holes)	3 (0.08) 4 (0.10) 5 (0.13) 6 (0.15) 7 (0.18) 8 (0.20) 9 (0.23) 10 (0.25) 11 (0.28) 12 (0.30) 13 (0.33) 14 (0.36) 15 (0.38) 16 (0.41) 17 (0.43) 18 (0.46) 19.68 (0.50) 39.37 (1) 78.74 (2)	9080MH203 9080MH204 9080MH205 9080MH206 9080MH207 9080MH208 9080MH209 9080MH210 9080MH211 9080MH212 9080MH213 9080MH214 9080MH215 9080MH216 9080MH217 9080MH218 9080MH220 9080MH239 9080MH279	10 —					
	Galvanized steel, prepunched	3 (0.08) 4 (0.10) 5 (0.13) 6 (0.15) 7 (0.18) 8 (0.20) 9 (0.23) 10 (0.25) 11 (0.28) 12 (0.30) 13 (0.33) 14 (0.36) 15 (0.38) 16 (0.41) 17 (0.43) 18 (0.46) 19.68 (0.50) 39.37 (1) 78.74 (2)			9080MH303 9080MH304 9080MH305 9080MH306 9080MH307 9080MH308 9080MH309 9080MH310 9080MH311 9080MH312 9080MH313 9080MH314 9080MH315 9080MH316 9080MH317 9080MH318 9080MH320 9080MH339 9080MH379				
	High rise track	Aluminum				39.37 (1)	9080MH439	2	—
	DIN3  15 mm depth, 1 mm steel, zinc chromated	78.74 (2)				AM1ED200	10	2.9 (1.31)	
		 15 mm depth, 1.5 mm steel, zinc chromated				78.74 (2)	AM1DE200	10	2.0 (0.90)
	 15 mm depth, 1.5 mm steel, zinc chromated					78.74 (2)	AM1DP200	10	1.4 (0.65)
		DZ5MB201 7.5 mm depth, 1 mm steel, zinc chromated EN50022 & NF C63-015				78.74 (2)	DZ5MB201	10	3.3 (1.50)
	DIN2  Symmetrical 15 mm track EN50045					39.37 (1)	AB1PC15	10	0.3 (0.14)

● Orders must specify standard packages or multiples of that quantity.





Angle bracket kit

For mounting 9080GH or 9080MH track to a panel at 45° angle. Includes 2 brackets and hardware for mounting the track to the brackets.



Catalog number	Sold in lots of
9080MH82	1

End clamps

Plastic end clamp for 35 mm DIN 3 track, 8 mm (0.31 in.) wide



AB1AB8P35	100
-----------	-----

Metal end clamp for 35 mm DIN 3 track, 8 mm (0.31 in.) wide



AB1AB8M35	100
-----------	-----

Polycarbonate end clamp for 35 mm DIN 3 track, 8 mm (0.31 in.) wide



9080MHA10	50
-----------	----

Plastic end clamp for 32 mm DIN 1 track, 7.5 mm (0.30 in.) wide



AB1AB7P32	100
-----------	-----

Metal end clamp for 32 mm DIN 1 track, 7.5 mm (0.30 in.) wide



AB1AB10M32	100
------------	-----

Plastic end clamp for 15 mm DIN 2 track, 7.5 mm (0.30 in.) wide



AB1AB715	100
----------	-----

6 - Terminal Blocks, Type AB1 Circuit Protectors

Page

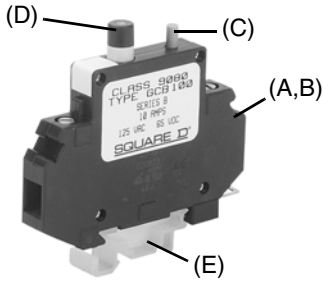
Thermal-magnetic control circuit protectors

■ 9080GCB	6/2
■ GB2	6/3

Terminal Blocks, Type AB1

Circuit protectors, 9080GCB

One-pole, thermal-magnetic control



- A. Thermal-magnetic circuit protector
- B. 14 stocked current ratings, from 0.1 to 15 A
- C. On-Off switch
- D. Visible trip indication
- E. Mounts on Class 9080 Type GH track and on 35 mm DIN3 mounting track.

- These maximum current values assume the use of insulated copper conductors with 75 °C temperature rating, and are calculated based on NEC Article 310, Table 310-16. In most cases this value is the maximum ampacity of that wire or combination of wires (as listed in the table to the right) which has the greatest current carrying capacity. The actual allowable current for a particular application depends on the number, size, insulation class, and other characteristics of the wires used.

9080GCB*** circuit protectors:

- Have solderless box lugs.
- Accept one #10–16 AWG Cu wire.
- Come with track adapter 9080GH64 for mounting on 9080GH track. Remove this adapter for mounting on 9080MH2**, MH3**, and AM1 track. Use mounting adapter 9080MH62 for the DZ5MB201 DIN1 track.

Technical data

Maximum interrupting rating	200 A, but not exceeding 10,000% (100 x) rated current
Dielectric strength	1500 Vac
Insulation resistance	100 MΩ
Weight	2.2 oz (62.4 g)
Terminals	Box lug type
Tightening torque	8–10 lb-in (0.91–1.1 N•m)
Approvals	File E152841 CCN QVNU2, File LR25490
Fingersafe per DIN 57470	Yes

Maximum Current (A) ●	Internal Resistance (Ω)	Maximum voltage	Catalog Number
0.1	1.33	250 Vac 65 Vdc	9080GCB01
0.5	6.6		9080GCB05
0.8	2.55		9080GCB08
1.0	1.97		9080GCB10
1.2	1.22		9080GCB12
1.5	0.86		9080GCB15
2.0	0.49		9080GCB20
2.5	0.31		9080GCB25
3.0	0.20		9080GCB30
4.0	0.10		9080GCB40
5.0	0.08	125 Vac 65 Vdc	9080GCB50
7.0	0.03		9080GCB70
10.0	< 0.02		9080GCB100
15.0			9080GCB150

Selection

To properly select a Class 9080 Type GCB circuit protector:

- Determine the inrush correction factor from Table A.
- Determine the temperature correction factor from Table B.
- Determine the sealed current of the load that is being protected.
- Multiply the sealed current by the two correction factors and choose the closest circuit protector.

Example: Solenoid with a sealed current of 0.75 A, with an inrush ratio of 1:6, and in an ambient temperature of 85 °F (29.4 °C).

$$0.75 \times 1.5 \times 1.05 = 1.18$$

Choose the **1.2 A** protector

Note: Choosing a circuit protector with a value lower than the calculated value might result in nuisance tripping, while choosing the larger might provide a protector that will not properly protect the load.

Table A: Inrush ratio correction

Note: For resistive loads, use an inrush correction factor of 1.0.

Inrush ratio	1:1 to 1:4	1:5	1:6	1:7	1:8
Correction factor	1.3	1.4	1.5	1.6	1.7

Table B: Ambient temperature correction

Ambient temperature	°F	70	100	120	140	160	180	200
	°C	21.1	37.8	48.9	60	71.1	82.2	93.3
Correction factor		1.0	1.1	1.2	1.3	1.4	1.5	1.6

Tripping time of the circuit protector is determined from Table C below. Divide the circuit protector value by the temperature correction factor from Table B above to determine actual rated current referenced in Table C.

Table C: Tripping times in seconds @ 70 °F (21.1 °C)

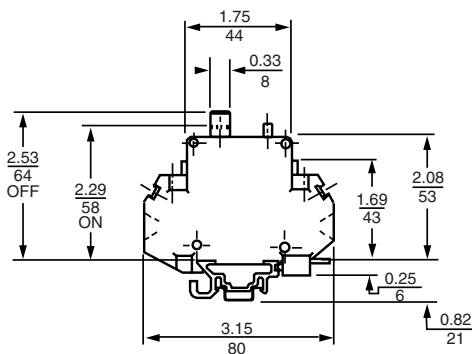
Percent of rated current	100%	200%	300%	400%	500%	600%	1000%	2000% & greater
Trip time (seconds)	no trip	10-40	38	1.5-9	0.8-6	0.003-4	0.003-2	0.02 max.

Note: When several protectors are channel mounted adjacent to each other, the No Trip current will be 80% of rated current at 70 °F (21.1 °C).

Track Adapter

Description	Catalog Number
For mounting 9080GCB circuit protectors on DZ5MB201 track or DIN1 track	9080MH62

Dimensions



Terminal Blocks, Type AB1

Circuit protectors, GB2

One-pole and two-pole, thermal-magnetic control



GB2CB06

Specifications

Conformity to standards	UL File # E164873 CCN QVNU2 tested per UL standard 1077 supplemental protectors CSA Class 3215 01 IEC 157-1 VDE 0660									
Protective treatment	Tropical climate finish									
Enclosure rating	IP201 conforming to IEC 144 finger safe terminals									
Ambient temperature	-4 to 140 °F (-20 to 60 °C) mounted in open air									
Operating position	±30° from the vertical plane									
Technical characteristics										
Rated insulation voltage	300 Vac max									
Thermal ratings	0.5A, 1A, 2A, 3A, 4A, 5A, 6A, 8A, 10A, 12A, 16A, 20A									
Rating selection according to average ambient temperature										
Average ambient temperature	°C	-20	-10	0	+10	+20	+30	+40	+50	+60
	°F	-4	+14	+32	+50	+68	+86	+104	+122	+140
Correction factor		1.20	1.15	1.10	1.05	1.00	0.95	0.90	0.85	0.80
Breaking capacity	1.5 kA/220V conforming to IEC 157-1 (P1)									
Operating current of magnetic trips	GB2CB 12 to 16 times thermal rating GB2CD 12 to 16 times thermal rating GB2DB 12 to 16 times thermal rating GB2CS 5 to 7 times thermal rating									
Mechanical life	8,000 operations									
Maximum wire sizes	Number of conductors	1			2					
	(flexible)	4 mm ² (12 AWG)			1 to 2.5 mm ² (16 AWG)					
Recommended tightening torque	11 lb-in (1.2 N•m)									
Mounting	35 mm DIN 3 or DIN 1									
Markings	Use AB1R and AB1G markers (see pages 5/2 and 5/3)									

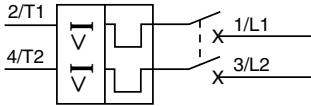
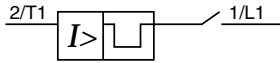
Selection

One-Pole Thermal Magnetic Control Circuit Protectors	Thermal Rating (A)	Catalog Number	Standard Pack ■
	0.5	GB2CB05	6
	1	GB2CB06	
	2	GB2CB07	
	3	GB2CB08	
	4	GB2CB09	
	5	GB2CB10	
	6	GB2CB12	
	8	GB2CB14	
	10	GB2CB16	
	12	GB2CB20	
	16	GB2CB21	
	20	GB2CB22	
Two-Pole Thermal Magnetic Control Circuit Protectors	Thermal Rating (A)	Catalog Number	Standard Pack ■
	0.5	GB2CD05	6
	1	GB2CD06	
	2	GB2CD07	
	3	GB2CD08	
	4	GB2CD09	
	5	GB2CD10	
	6	GB2CD12	
	8	GB2CD14	
	10	GB2CD16	
	12	GB2CD20	
	16	GB2CD21	
	20	GB2CD22	

■ Must order in multiples of the standard pack.
For markers, see pages 5/2 and 5/3.

Terminal Blocks, Type AB1

Circuit protectors, GB2
One-pole and two-pole, thermal-magnetic control

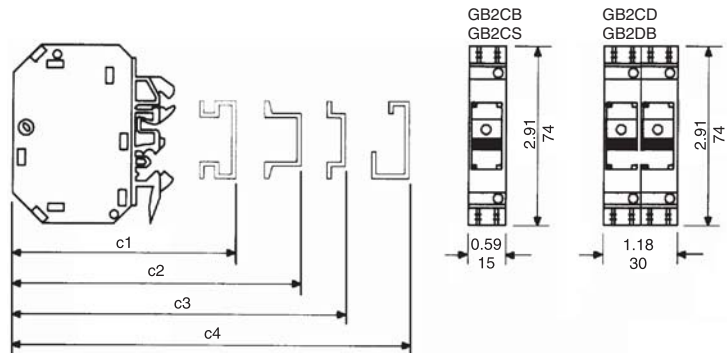
Selection			
Two-pole, thermal-magnetic control circuit protectors 	Thermal rating (A)	Catalog number	Standard pack ■
	0.5	GB2DB05	
	1	GB2DB06	
	2	GB2DB07	
	3	GB2DB08	
	4	GB2DB09	
	5	GB2DB10	
	6	GB2DB12	
	8	GB2DB14	
	10	GB2DB16	
	12	GB2DB20	
	16	GB2DB21	
20	GB2DB22		
One-pole, thermal-magnetic control circuit protectors 	Thermal rating (A)	Catalog number	Standard pack ■
	0.5	GB2CS05	
	1	GB2CS06	

Terminal Blocks, Type AB1

Circuit protectors, GB2

One-pole and two-pole, thermal-magnetic control

Approximate Dimensions, in. (mm)



Catalog number	c1	c2	c3	c4
GB2CB	3.23 (82)	3.23 (82)	2.95 (75)	3.11 (79)
GB2CD	3.23 (82)	3.23 (82)	2.95 (75)	3.11 (79)
GB2CS	3.23 (82)	3.23 (82)	2.95 (75)	3.11 (79)
GB2DB	3.35 (85)	3.35 (85)	3.07 (78)	3.23 (82)

7 - Terminal Blocks, Type AB1 Appendices

	<i>Page</i>
Index	7/2
Technical information	7/4

Terminal Blocks, Type AB1

Product catalog number index

9080GCB	6/2	AB1BB	3/39	AB1RRNAC2	2/4
9080MH	5/4	AB1BC	3/42	AB1RRNAC4	2/8
AB1A10	3/7	AB1BE	3/24	AB1RRNAC6	2/12
AB1A16	3/8	AB1BF	3/22	AB1RRNACE, AB1RRNACTE	2/36
AB1A2	3/4	AB1BL10	3/7	AB1RRNAL	2/12
AB1A35	3/9	AB1BL2	3/4	AB1RRNAS1	2/14
AB1A4	3/5	AB1BL4	3/5	AB1RRNAS2	2/4
AB1A6	3/6	AB1BL6	3/6	AB1RRNAS4	2/8
AB1AA	1/5	AB1BV5	5/2	AB1RRNAS6	2/12
AB1AA135U	4/4	AB1BV6	5/2	AB1RRNASE, AB1RRNASTE	2/36
AB1AA235U	4/7	AB1BV8	5/2	AB1RRNCS2	2/4
AB1AAAC122BL	4/4	AB1CA1	3/7	AB1RRNET	2/38
AB1AAAC122GR	4/4	AB1CA2	3/4	AB1RRNGF0	2/4
AB1AAAC122VE	4/10	AB1CA3	3/9	AB1RRNGF11, AB1RRNGF22,	
AB1AAAC123BL	4/5	AB1CA4	3/5	AB1RRNGF33	2/8
AB1AAAC123GR	4/5	AB1CA6	3/6	AB1RRNP235UNO	2/7
AB1AAAC123VE	4/11	AB1CC	3/18	AB1RRNR1635UGR	2/11
AB1AAAC124BL	4/6	AB1CJ2	3/4	AB1RRNSC235U2	2/32
AB1AAAC124GR	4/6	AB1CJ215	3/45	AB1RRNSC235U3	2/33
AB1AAAC124VE	4/12	AB1CJ3	3/24	AB1RRNSC235U4	2/34
AB1AAAS122BL	4/4	AB1CJ4	3/5	AB1RRNSCE235U4	2/36
AB1AAAS122GR	4/4	AB1CJ6	3/6	AB1RRNSCE235U5	2/37
AB1AAAS123BL	4/5	AB1CJN10	3/7	AB1RRNSF435UGR	2/35
AB1AAAS123GR	4/5	AB1CJN16	3/8	AB1RRNTP1035U2	2/27
AB1AAAS124BL	4/6	AB1CP1	3/39	AB1RRNTP1035U3	2/28
AB1AAAS124GR	4/6	AB1CP2	3/40	AB1RRNTP1635U2	2/29
AB1AACS1JA	4/4	AB1CS2	3/4	AB1RRNTP1635U3	2/30
AB1AAET	4/20	AB1CS4	3/5	AB1RRNTP235U2	2/19
AB1AASC	4/16	AB1CS6	3/6	AB1RRNTP235U3	2/20
AB1AASF	4/18	AB1CSN10	3/7	AB1RRNTP235U4	2/21
AB1AATP	4/10	AB1CSN150	3/11	AB1RRNTP3535U2	2/31
AB1AB10M32	3/4	AB1CSN16	3/8	AB1RRNTP435U2	2/22
AB1AB715	5/5	AB1CSN35	3/9	AB1RRNTP435U3	2/23
AB1AB7P32	5/5	AB1CT1	3/39	AB1RRNTP435U4	2/24
AB1AB8	5/5	AB1CT2	3/40	AB1RRNTP635U2	2/25
AB1AC2	3/45	AB1CT215	3/47	AB1RRNTP635U3	2/26
AB1AC24	3/4	AB1D11435U	3/19	AB1RRNTPAC1042	2/27
AB1AC25	3/12	AB1DDP	3/27	AB1RRNTPAC1043	2/28
AB1AC3	2/4	AB1EBN	3/32	AB1RRNTPAC1642	2/29
AB1AC6	3/6	AB1ET3235	3/30	AB1RRNTPAC1643	2/30
AB1ACD2	3/27	AB1ET3235U	3/29	AB1RRNTPAC242	2/19
AB1ACN	3/7	AB1ET435	3/25	AB1RRNTPAC243	2/20
AB1AL2	3/4	AB1ETN	3/24	AB1RRNTPAC244	2/21
AB1AL4	3/5	AB1FC	3/23	AB1RRNTPAC442	2/22
AB1AL6	3/6	AB1FF	3/23	AB1RRNTPAC443	2/23
AB1ALD	3/27	AB1FU1	3/22	AB1RRNTPAC444	2/24
AB1ALN10	3/7	AB1FUSE	3/20	AB1RRNTPAC642	2/25
AB1ALN15	3/11	AB1FV	3/23	AB1RRNTPAC643	2/26
AB1ALN16	3/8	AB1GA-AB1GZ	5/3	AB1RV	5/3
AB1ALN2	3/4	AB1L2ET	3/25	AB1SB4	2/4
AB1ALN3	3/9	AB1NEN	3/36	AB1SB5	2/38
AB1ALN4	3/5	AB1PC15	5/4	AB1SB6	2/40
AB1ALN6	3/6	AB1PC3	3/32	AB1SBN	3/36
AB1ALN7	3/10	AB1PS4	3/18	AB1SC	3/18
AB1AS2	3/45	AB1R0-AB1R13	5/3	AB1SF435U	3/21
AB1AS24	3/4	AB1RRAL1	2/14	AB1SF520	2/35
AB1AS4ET	3/25	AB1RRAL2	2/4	AB1SF6332D	2/35
AB1AS6	3/6	AB1RRAL3	2/18	AB1SM1N	3/32
AB1ASN10	3/7	AB1RRAL4	2/8	AB1SR6	5/3
AB1ASN16	3/8	AB1RRCS10	2/14	AB1SV	2/35
AB1ASN35	3/9	AB1RRCS16	2/11	AB1TC	3/23
AB1ASN70	3/10	AB1RRCS35	2/18	AB1TE	3/25
AB1AT1	2/4	AB1RRCS4	2/8	AB1TEN4	3/24
AB1AT2	3/6	AB1RRCS6	2/12	AB1TF	3/22
AB1AT3	2/4	AB1RRN1	2/14	AB1TM1N	3/32
AB1B15	3/45	AB1RRN2	2/4	AB1TNN10	3/37
AB1B22	3/45	AB1RRN3	2/18	AB1TNN16	3/38
AB1B5	5/2	AB1RRN4	2/8	AB1TNN4	3/36
AB1B6	5/2	AB1RRN6	2/12	AB1TP1035U	3/15
AB1B8	5/2	AB1RRNAC1	2/14	AB1TP1635U	3/16

Terminal Blocks, Type AB1

Product catalog number index

(continued)

AB1TP215	3/47	AB1VV215	3/45	AB1VVN7035	3/10
AB1TP235U	3/12	AB1VV235	3/4	AM1DE200	5/4
AB1TP3535U	3/17	AB1VV415	3/46	AM1DP200	5/4
AB1TP435U	3/13	AB1VV435	3/5	AM1ED200	5/4
AB1TP635U	3/14	AB1VV635	3/6	DZ5MB201	5/4
AB1TRNN435	3/33	AB1VVN1035	3/7	GB2CB	6/3
AB1TRPN435	3/33	AB1VVN15035	3/11	GB2CD	6/3
AB1TRPN435UFM	3/35	AB1VVN1635	3/8	GB2CS	6/4
AB1TRSN435	3/32	AB1VVN3535	3/9	GB2DB	6/4

Note: This index lists the page number of the first or most significant occurrence of the product catalog number in the document. It does not list all occurrences of that catalog number.

Terminal Blocks, Type AB1

Technical information

Protective treatment of equipment according to climate

Protective treatment according to climate

Depending on the climatic and environmental conditions in which the equipment is placed, Schneider Electric can offer specially adapted products to meet your requirements.

To make the correct choice of protective finish, remember the following two points:

- The prevailing climate of the country is never the only criterion.
- Only the atmosphere in the immediate vicinity of the equipment needs to be considered.

All climates treatment "TC"

This is the standard treatment for Telemecanique brand equipment and is suitable for the vast majority of applications. It is the equivalent of treatments described as "Klimafest," or "Climateproof."

In particular, it meets the requirements specified in the following publications:

- Publication UTE C 63-100 (method I), successive cycles of humid heat at: +40 °C and 95% relative humidity.
- DIN 50016 - Variations of ambient conditions within a climatic chamber: +23 °C and 83% relative humidity, +40 °C and 92% relative humidity.

It also meets the requirements of the following marine classification societies: BV-LR-GL-DNV-RINA.

Characteristics

- Steel components are usually treated with zinc. When they have a mechanical function, they may also be painted.
- Insulating materials are selected for their high electrical, dielectric, and mechanical characteristics.
- Metal enclosures have a heat-treated paint finish applied over a primary phosphate protective coat, or are galvanized (e.g., some prefabricated busbar trunking components).

Limits for use of "TC" (All climates) treatment

- "TC" treatment is suitable for the following temperatures and humidity:

Temperature	Relative humidity
68 °F (20 °C)	95%
104 °F (40 °C)	80%
122 °F (50 °C)	50%

"TC" treatment is therefore suitable for all latitudes, including tropical and equatorial regions, when the equipment is mounted in normally ventilated industrial premises. Being sheltered from external climatic conditions, temperature variations are small, the risk of condensation is minimized, and the risk of dripping water is virtually non-existent.

Extension of use of "TC" (All climates) treatment

In cases where the humidity around the equipment exceeds the conditions described above, or in equatorial regions if the equipment is mounted outdoors, or if it is placed in a very humid location (laundries, sugar refineries, steam rooms, etc.), "TC" treatment can still be used if the following precautions are taken:

- The enclosure in which the equipment is mounted must be protected with a "TH" finish (see next page) and must be well ventilated to avoid condensation and dripping water (e.g. enclosure base plate mounted on spacers).
- Components mounted inside the enclosure must have a "TC" finish.
- If the equipment is to be switched off for long periods, a heater must be provided (0.2 to 0.5 kW per square decimeter of enclosure), that switches on automatically when the equipment is turned off. This heater keeps the inside of the enclosure at a temperature slightly higher than the outside surrounding temperature, thereby avoiding any risk of condensation and dripping water (the heat produced by the equipment itself during normal running is sufficient to provide this temperature difference).
- Special considerations for Operator Dialog and Detection products: for certain pilot devices, the use of "TC" treatment can be extended to outdoor use provided their enclosure is made of light alloys, zinc alloys, or plastic material. In this case, it is also essential to ensure that the degree of protection against penetration of liquids and solid objects is suitable for the applications involved.

Terminal Blocks, Type AB1

Technical information

Protective treatment of equipment according to climate

“TH” treatment for hot and humid environments

This treatment is suitable for hot and humid atmospheres where installations are regularly subject to condensation, dripping water, and the risk of fungi.

In addition, the plastic insulating components are resistant to attacks from insects such as termites and cockroaches. These properties have often led to this treatment being described as “Tropical Finish,” but this does not mean that all equipment installed in tropical and equatorial regions must systematically have undergone “TH” treatment. Conversely, certain operating conditions in temperate climates may require the use of “TH” treated equipment (see limitations for use of “TC” treatment).

Special characteristics of “TH” treatment

- All insulating components are made of materials which are either resistant to fungi or treated with a fungicide, and which have increased resistance to creepage (Standards IEC60112, NF C 26-220, DIN5348).
- Metal enclosures receive a top-coat of heat-treated, fungicidal paint, applied over a rust inhibiting undercoat. Components with a “TH” treatment may be subject to a surcharge; please consult your local sales office. (A large number of the Telemecanique brand products are “TH” treated as standard, so they are not subject to a surcharge.)

Protective treatment selection guide

Surrounding environment	Duty cycle	Internal heating of enclosure when not in use	Type of climate	Protective treatment of:	
				equipment	enclosure
Indoors					
No dripping water or condensation	Unimportant	Not necessary	Unimportant	“TC”	“TC”
Presence of dripping water or condensation	Frequent switching off for periods of more than 1 day	No	Temperate	“TC”	“TH”
		Yes	Unimportant	“TC”	“TH”
	Continuous	Not necessary	Unimportant	“TC”	“TH”
Outdoors (sheltered)					
No dripping water or dew	Unimportant	Not necessary	Temperate	“TC”	“TC”
			Equatorial	“TH”	“TH”
Exposed outdoors or near the sea					
Frequent and regular presence of dripping water or dew	Frequent switching off for periods of more than 1 day	No	Temperate	“TC”	“TH”
		Yes	Unimportant	“TC”	“TH”
	Continuous	Not necessary	Unimportant	“TC”	“TH”

These treatments cover, in particular, the applications defined by methods I and II of guide UTE C 63-100.

Special precautions for electronic equipment

Electronic products always meet the requirements of “TC” treatment. A number of them are “TH” treated as standard.

Some electronic products (for example, programmable controllers, flush-mountable type CCX controllers, and flush-mountable type XBT operator terminals) require the use of an enclosure providing a degree of protection to at least IP54, as defined by standards IEC 60664 and NF C 20 040, for use in industrial applications or in environmental conditions requiring “TH” treatment.

These electronic products, including flush-mountable products, must have a degree of protection to at least IP20 (provided either by their own enclosure or by their installation method) for restricted access locations where the degree of pollution does not exceed 2 (for example, a test booth not containing machinery or other dust-producing activities).

Special treatments

For particularly harsh industrial environments, Schneider Electric is able to offer special protective treatments. Please consult your local sales office.

Terminal Blocks, Type AB1

Technical information

Product standards and certifications

Standardization

Note: For further details on a specific product, please refer to the selection page for that product.

Conformity to standards

Telemecanique brand products satisfy, in the majority of cases, the following types of standards:

- national (for example, BS in Great Britain, NF in France, DIN in Germany)
- European (for example, CENELEC)
- international (IEC)

These product standards precisely define the performance of the designated products (such as IEC 60947 for low voltage equipment).

When used correctly, as designated by the manufacturer and in accordance with regulations and correct practices, these products will allow users to build equipment, machine systems, or installations that conform to their appropriate standards (for example: IEC60204-1, relating to electrical equipment used on industrial machines).

Schneider Electric is able to provide proof of conformity of its production to the standards it has chosen to comply with, through its quality assurance system.

On request, and depending on the situation, Schneider Electric can provide the following:

- A declaration of conformity
- A certificate of conformity (ASEFA/LOVAG)
- A homologation certificate or approval, in the countries where this procedure is required or for particular specifications, such as those existing in the merchant navy

Code	Certification authority Name	Abbreviation	Country
ANSI	American National Standards Institute	ANSI	USA
BS	British Standards Institution	BSI	Great Britain
CEI	Comitato Elettrotecnico Italiano	CEI	Italy
DIN/VDE	Verband Deutscher Elektrotechniker	VDE	Germany
EN	Comité Européen de Normalisation Electrotechnique	CENELEC	Europe
GOST	Gosudarstvenno Komitet Standartov	GOST	Russia
IEC	International Electrotechnical Commission	IEC	Worldwide
JIS	Japanese Industrial Standard	JISC	Japan
NBN	Institut Belge de Normalisation	IBN	Belgium
NEN	Nederlands Normalisatie Instituut	NNI	Netherlands
NF	Union Technique de l'Electricité	UTE	France
SAA	Standards Association of Australia	SAA	Australia
UNE	Asociacion Española de Normalizacion y Certificacion	AENOR	Spain

European EN standards

These are technical specifications established in conjunction with, and with approval of, the relative bodies within the various CENELEC member countries (European Union, European Free Trade Association, and many central and eastern European countries having Member or Affiliated status). Prepared in accordance with the principle of consensus, the European standards are the result of a weighted majority vote. Such adopted standards are then integrated into the national collection of standards, and contradictory national standards are withdrawn. European standards incorporated within the French collection of standards carry the prefix NFEN. At the *Union Technique de l'Electricité* (UTE, or Technical Union of Electricity), the French version of a corresponding European standard carries a dual number: European reference (NFEN ...) and classification index (C ...).

Therefore, standard NF EN 60947-4-1, relating to motor contactors and starters, effectively constitutes the French version of European standard EN 60947-4-1 and carries the UTE classification C 63-110.

This standard is identical to the British standard BS EN 60947-4-1 or the German standard DIN EN 60947-4-1.

Whenever reasonably practical, European standards reflect international standards (IEC).

With regard to automation system components and distribution equipment, in addition to complying with the requirements of French NF standards, Telemecanique brand components conform to the standards of all other major industrial countries.

Regulations

European Directives

Opening up of European markets assumes harmonization of the regulations pertaining to each of the member countries of the European Union.

The purpose of the European Directive is to eliminate obstacles hindering the free circulation of goods within the European Union, and it must be applied in all member countries. Member countries are obliged to transcribe each Directive into their national legislation and to simultaneously withdraw any contradictory regulations. The Directives, in particular those of a technical nature which concern us, only establish the objectives to be achieved, referred to as "essential requirements."

The manufacturer must take all the necessary measures to ensure that its products conform to the requirements of each Directive applicable to its production.

As a general rule, the manufacturer certifies conformity to the essential requirements of the Directive(s) for the product by affixing the C€ mark.

The C€ mark is affixed to the Telemecanique brand products concerned, to comply with French and European regulations.

Significance of the C€ mark

- The C€ mark affixed to a product signifies that the manufacturer certifies that the product conforms to the relevant European Directive(s) which concern it; this condition must be met to allow free distribution and circulation within the countries of the European Union of any product subject to one or more of the E.U. Directives.
- The C€ mark is intended solely for national market control authorities.
- The C€ mark must not be confused with a conformity marking.

Terminal Blocks, Type AB1

Technical information

Product standards and certifications

European Directives (continued)

For electrical equipment, only conformity to standards signifies that the product is suitable for its designated function, and only the guarantee of an established manufacturer can provide a high level of quality assurance.

For Telemecanique brand products, one or several Directives are likely to be applicable, depending on the product, and in particular:

- The Low Voltage Directive 73/23/EEC amended by Directive 93/68/EEC: the C€ mark relating to this Directive has been compulsory since January 1, 1997
- The Electromagnetic Compatibility Directive 89/336/EEC, amended by Directives 92/31/EEC and 93/68/EEC: the C€ mark on products covered by this Directive has been compulsory since January 1, 1996

RoHS Compliance

RoHS, European Union Directive 2002/95/EC, restricts the use of certain hazardous substances in electrical equipment sold in Europe on or after July 1, 2006. The scope of this directive is primarily for consumable electrical and electronic products. In general, industrial control products are not within this scope; however, in some applications, terminal blocks can fall within this scope. The AB1 terminal blocks comply with the RoHS Directive.

To learn more, visit our RoHS website at www.rohs.Schneider-Electric.com, or enter through the RoHS icon at www.us.Schneider-Electric.com. If you have a question about a specific catalog number, use the Check a Product link to determine the current status of any product. If you have additional questions, contact your nearest Schneider Electric sales office for assistance.

ASEFA-LOVAG certification

The function of ASEFA (*Association des Stations d'Essais Française d'Appareils électriques*, or Association of French Testing Stations for Low Voltage Industrial Electrical Equipment) is to carry out tests of conformity to standards and to issue certificates of conformity and test reports. ASEFA laboratories are authorized by the French authorization committee (COFRAC).

ASEFA is now a member of the European agreement group LOVAG (Low Voltage Agreement Group). This means that any certificates issued by LOVAG/ASEFA are recognized by all the authorities which are members of the group and carry the same validity as those issued by any of the member authorities.

Quality labels

When components can be used in domestic and similar applications, it is sometimes recommended that a "Quality label" be obtained, which is a form of certification of conformity.

Code	Quality label	Country
CEBEC	Comité Electrotechnique Belge	Belgium
KEMA-KEUR	Keuring van Electrotechnische Materialen	Netherlands
NF	Union Technique de l'Electricité	France
ÖVE	Österreichischer Verband für Electrotechnik	Austria
SEMKO	Svenska Electriska Materiel Kontrollanaltalen	Sweden

Product certifications

In some countries, the certification of certain electrical components is a legal requirement. In this case, a certificate of conformity to the standard is issued by the official test authority. Each certified device must bear the relevant certification symbols when these are mandatory:

Code	Certification authority	Country
CSA	Canadian Standards Association	Canada
UL	Underwriters Laboratories	USA
CCC	China Compulsory Certification	China

On certifications issued by the Underwriters Laboratories (UL), there are two levels of approval:

"Recognized" (UL)	The component is fully approved for inclusion in equipment built in a workshop, where the operating limits are known by the equipment manufacturer and where its use within such limits is acceptable by the Underwriters Laboratories. The component is not approved as a "Product for general use" because its manufacturing characteristics are incomplete or its application possibilities are limited. A "Recognized" component does not necessarily carry the certification symbol.
"Listed" (UL)	The component conforms to all the requirements of the classification applicable to it and may therefore be used both as a "Product for general use" and as a component in assembled equipment. A "Listed" component must carry the certification symbol.

Marine classification societies

Prior approval (= certification) by certain marine classification societies is generally required for electrical equipment which is intended for use on board merchant vessels.

Code	Classification authority	Country
BV	Bureau Veritas	France
DNV	Det Norske Veritas	Norway
GL	Germanischer Lloyd	Germany
LR	Lloyd's Register	Great Britain
NKK	Nippon Kaiji Kyokai	Japan
RINA	Registro Italiano Navale	Italy
RRS	Register of Shipping	Russia

The efficiency of Telemecanique branded *solutions*

Used in combination, Telemecanique products provide quality solutions, meeting all the requirements of your **Automation & Control** application.



A worldwide presence

Constantly available

- More than 5,000 points of sale in 130 countries.
- You can be sure to find the range of products that are right for you and that comply fully with the standards in the country where they are used.

Technical assistance wherever you are

- Our technicians are at your disposal to assist you in finding the optimum solution for your particular needs.
- Schneider Electric provides you with all necessary technical assistance throughout the world.

www.telemecanique.com

Schneider Electric USA

8001 Knightdale Blvd.
Knightdale, NC 27545
1-888-Square D
1-888-778-2733

www.schneider-electric.com
www.us.telemecanique.com

Simply Smart !

9080CT9901R7/07 © 1999–2007 Schneider Electric All Rights Reserved
Replaces 9080CT9901R5/02 dated 7/2002

September 2007