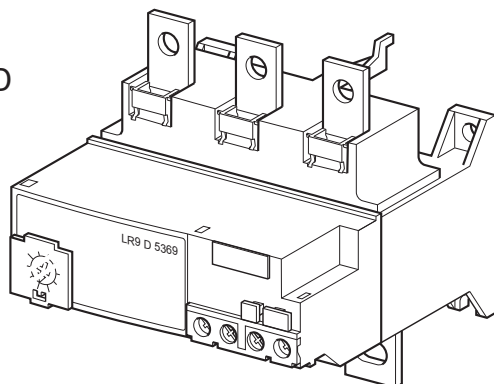
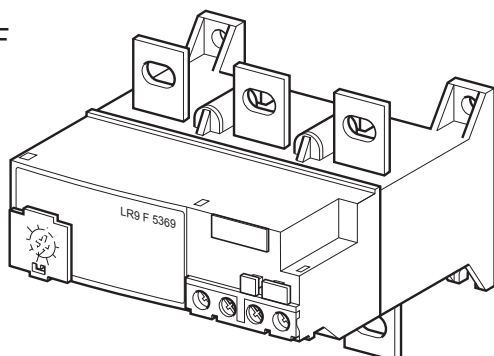


LR9 D



LR9 F



## **⚠ ⚠ DANGER / DANGER / GEFAHR / PELIGRO / ОПАСНО**

### **RISQUE D'ÉLECTROCUTION, D'EXPLOSION OU D'ARC ÉLECTRIQUE**

Coupez toutes les alimentations avant de travailler sur cet appareil.

**Le non-respect de ces instructions provoquera la mort ou des blessures graves.**

### **HAZARD OF ELECTRIC SHOCK, EXPLOSION, OR ARC FLASH**

Disconnect all power before servicing equipment.

**Failure to follow these instructions will result in death or serious injury.**

### **GEFAHR VON ELEKTRISCHEM SCHLAG, EXPLOSION ODER LICHTBOGEN**

Vor dem Arbeiten am Gerät alle Spannungsversorgungen abschalten.

**Die Nichtbeachtung dieser Anweisungen führt zu Tod oder schwerer Körperverletzung.**

### **PELIGRO DE DESCARGA ELÉCTRICA, EXPLOSIÓN O ARCO ELECTRICO**

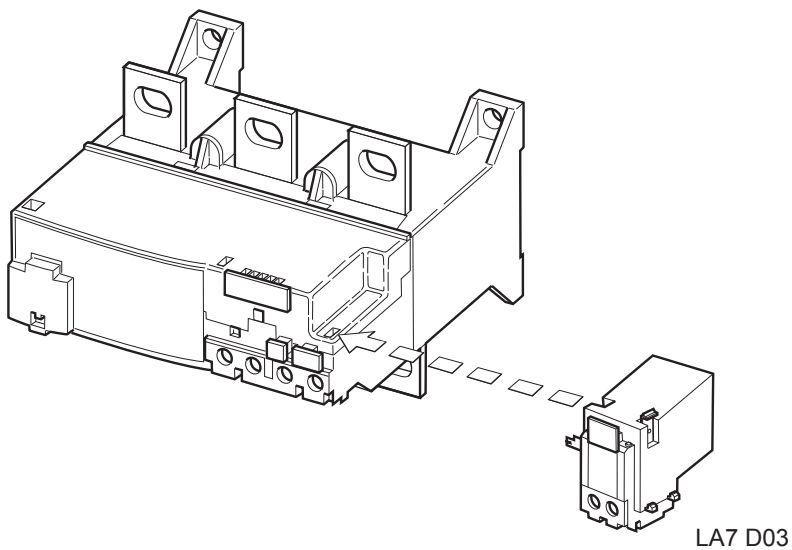
Desconecte todas las alimentaciones antes de manipular el producto.

**Si no se siguen estas instrucciones provocará lesiones graves o incluso la muerte.**

### **Опасность поражением электрическим током, опасность взрыва или вспышки дуги.**

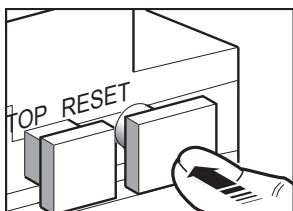
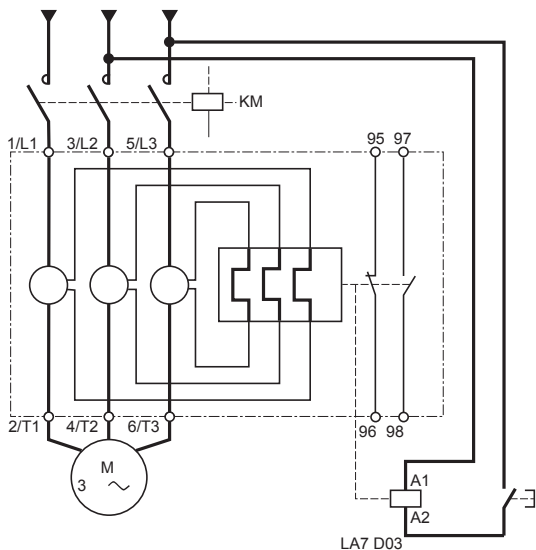
Перед обслуживанием или ремонтом убедитесь, что питание отключено.

**Несоблюдение этих инструкций приведет к смерти или серьезной травме.**

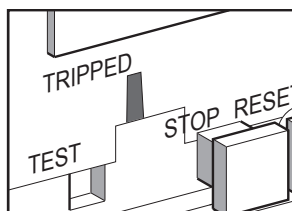


Réarmement électrique à distance  
 Remote electrical reset  
 Fernrückstellung  
 Rearme elettrico a distancia  
 Дистанционный электрический сброс

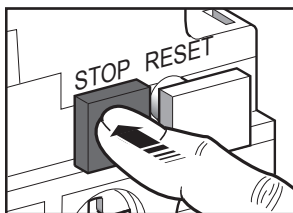
50/60 Hz	24 V	LA7 D03 B
	48 V	LA7 D03 E
	110 V	LA7 D03 F
	220/230 V	LA7 D03 M
	380/400 V	LA7 D03 Q
	415/440 V	LA7 D03 N



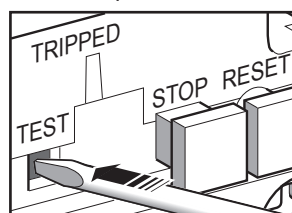
Réarmement  
Reset  
Wiedereinschalten  
Rearme  
Сброс



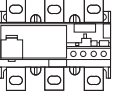
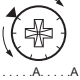


Témoin de déclenchement  
Trip indicator  
Auslösungsmelder  
Indicador de disparo  
Индикатор отключения



Arrêt  
Stop  
Stillstand  
Parada  
Останов



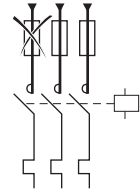
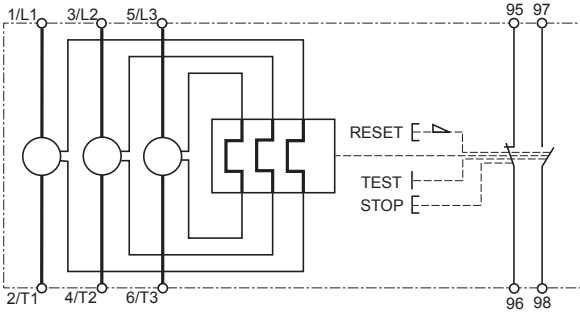
Test  
Test  
Test  
Prueba  
Проверка

		 (1) 50/60 Hz							 (2)	
		220V kW	380V kW	415V kW	440V kW	500V kW	660V kW	1000V kW	Class10 aM(A)	Class20 aM(A)
LR9 F5●57 LR9 F57	30...50	9 11	15 18,5 22	18,5 22	18,5 22	22 30	-	45 55	50	80
LR9 F5●63 LR9 F63	48...80	15 18,5 22	30 37	30 37 45	30 37 45	37 45 55	45 55	75 90 110	80	100
LR9 D5●67 LR9 F5●67 LR9 D67 LR9 F67	60...100	18,5 22	30 37 45	37 45 55	37 45 55	45 55	55 75 90	90 110 132	100	125
LR9 D69 LR9 D5●69 LR9 F5●69 LR9 F69	90...150	30 37 45	55 75	55 75	55 75 90	75 90	110 132	132 160 200	160	200
LR9 F5●71 LR9 F71	132...220	45 55	75 90 110	75 90 110	90 110 132	110 132 160	132 160 200	200 220 250 280	250	315
LR9 F7●75 LR9 F75	200...330	75 90	110 132 160	110 132 160	132 160 200	160 200 220	200 220 250	250 280 315 355 400 450	400	400
LR9 F7●79 LR9 F79	300...500	110 132	160 200 220 250	200 220 250	200 220 250	220 250 315 355	315 355 400	450 500 560 630 710	500	630
LR9 F7●81 LR9 F81	380...630	132 160 200	220 250 280 315	220 250 315 355	250 315 355 400	315 355 400	400 500 560	560 630 710 800 900	630	800

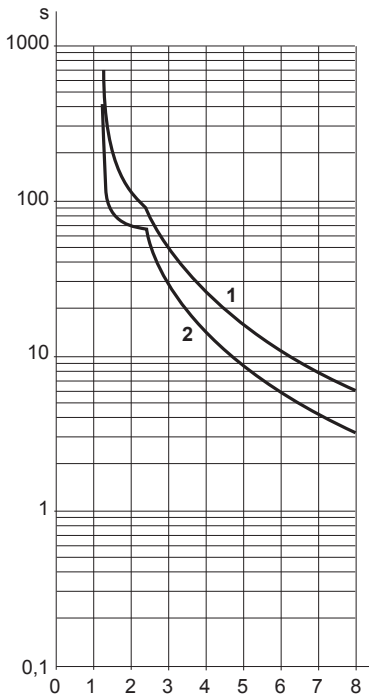
(1) Refer to catalog for HP sizes. / Размеры HP см. в каталоге.

(2) For North America installations, refer to National Electric Code for proper upstream fusing sizes. /

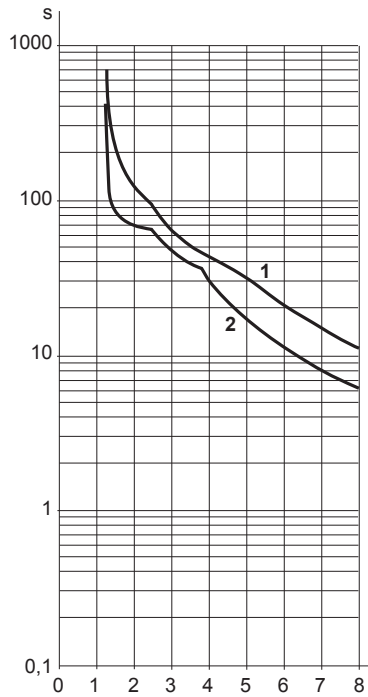
При установке в Северной Америке необходимые размеры предохранителей см. в национальных правилах по установке электрооборудования.



Temps de déclenchement : 4 s  
 Tripping time : 4 s  
 Auslösungszeit : 4 s  
 Tiempo de disparo : 4 seg  
 Время отключения: 4 с



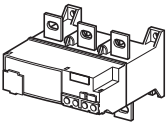
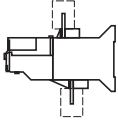
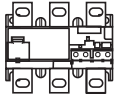


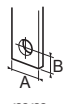
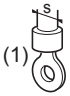
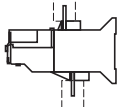
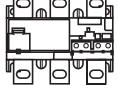
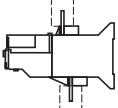
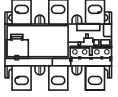
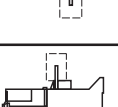

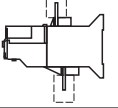
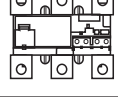
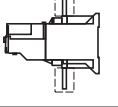
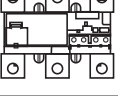
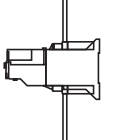
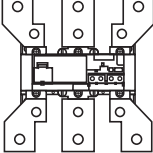
Classe 10	LR9 D●3●●
Class 10	LR9 F●3●●
Klasse 10	LR9 D●● 20
Clase 10	LR9 F●● 10



Classe 20	LR9 D●5●●
Class 20	LR9 F●5●●
Klasse 20	LR9 D●● 20
Clase 20	LR9 F●● 10



Câblage puissance  
 Power wiring  
 Leistungsanschluss  
 Cableado de potencia  
 Цепь питания

	 		 lb-in   C   N.m		 mm	 (1)
LR9 F5●57 / F57	 	M6	88	10	A : 20 B : 10 S : 35 mm <sup>2</sup> (AWG 2)	
LR9 F5●63 / F63 LR9 F5●67 / F67 LR9 F5●69 / F69	 	M8	160	18	A : 20 B : 10 S : 95 mm <sup>2</sup> (AWG 3/0)	
LR9 D5●67 / D67 LR9 D5●69 / D69	 		100	12		
LR9 F5●71 / F71	 	M10	310	35	A : 25 B : 12,5 S : 150 mm <sup>2</sup> (300 MCM)	
LR9 F7●75 / F75 LR9 F7●79 / F79	 	M10	310	35	A : 30 (7•75) A : 40 (7•79) B : 15 S : 2 x 185 mm <sup>2</sup> (2 x 350 MCM)	
LR9 F7●81 / F81	 	M12	515	58	A : 40 B : 20 S : 2 x 240 mm <sup>2</sup> (2 x 500 MCM)	

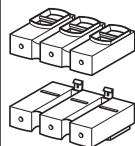
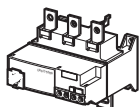
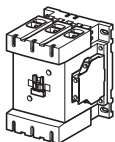
Montage direct LR9 sur contacteurs LC1 en câblage DOL  
 Direct installation of LR9 on contactor LC1  
 Direktmontage LR9 an Schütz LC1 als Direktanlasser  
 Montaje directo LR9 en contactor LC1 en cable DOL  
 Прямая установка LR9 на контакторе LC1

LR9 D●

LC1D●●●

LR9 D●●●

LA9 F103



LC1 D115/D150  
LC2 D115/D150

LR9 D5●67/D67  
LR9 D5●69/D69

LA9 F103  
LA9 F103

LR9 F●●●

LC1 F●●●

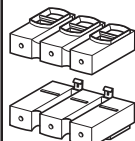
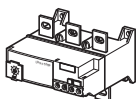
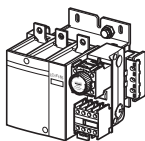
LR9 F●●●

LA7 F7●●

LA9 F7●●

LA9 F103

LA7 F9●●



LC1 F115  
LC1 F150  
LC1 F185

LR9 F5●57/F57  
LR9 F5●63/F63  
LR9 F5●67/F67  
LR9 F5●69/F69

LA7 F701  
LA7 F701  
LA7 F701  
LA7 F701

LA9 F701  
LA9 F702  
LA9 F702  
LA9 F702

LA9 F103\*  
LA9 F103\*  
LA9 F103\*  
LA9 F103\*

LA7 F901\*  
LA7 F901\*  
LA7 F901\*  
LA7 F901\*

LC1 F225  
LC1 F265

LR9 F5●71/F71  
LR9 F7●75/F75  
LR9 F7●79/F79

LA7 F702  
LA7 F703  
LA7 F703

LA9 F705  
LA9 F703  
LA9 F703

LA7 F901\*  
LA7 F902  
LA7 F902

LC1 F330

LR9 F7●75/F75  
LR9 F7●79/F79\*\*

LA7 F703  
LA7 F703

LA9 F703  
LA9 F703

LA7 F902  
LA7 F902

LC1 F400

LR9 F7●75/F75  
LR9 F7●79/F79\*\*  
LR9 F7●81/F81\*\*

LA7 F703  
LA7 F703  
LA7 F703

LA9 F703  
LA9 F703  
LA9 F703

LA7 F902  
LA7 F902  
LA7 F902

LC1 F500

LR9 F7●75/F75\*\*  
LR9 F7●79/F79  
LR9 F7●81/F81

LA7 F703  
LA7 F703  
LA7 F703

LA9 F703  
LA9 F703  
LA9 F703

LA7 F902  
LA7 F902  
LA7 F902

LC1 F630

LR9 F7●81/F81\*\*\*

LA7 F902

LC1 F185 + LR9 F5●71/F71 + LA7 F407

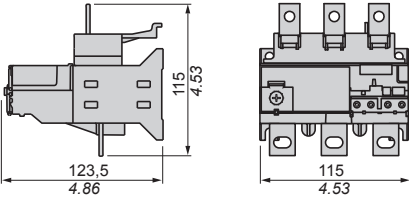
\*non obligatoire  
Not mandatory  
Nicht obligatorisch  
No obligatorio  
Необязательно

\*\*avec inversion des barres extrêmes  
With inversion of end bars  
Mit Drehung der Anschlussschienen  
Con inversión de las barras de extremos  
С инверсией оконечных шин

\*\*\*avec épanouisseurs fournis avec le LR9 F7●81  
With flaring devices supplied with LR9 F7●81  
Anschlussverbreiterungen zum Lieferumfang LR9 F7●81 gehörend  
Con desarrolladores suministrados con el LR9 F7●81  
С оконечными устройствами, поставляемыми с LR9 F7●81



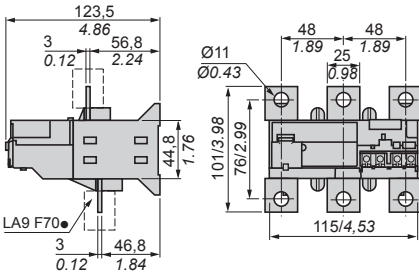
LR9 D



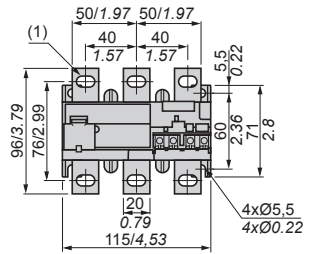
mm  
inch

LR9 F

LR9 F5•71  
LR9 F71

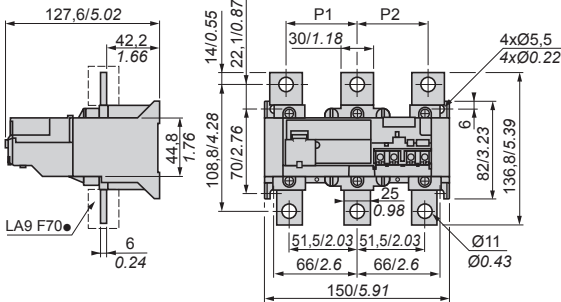


LR9 F5•57, F5•63, F5•67, F5•69  
LR9 F57, F63, F67, F69

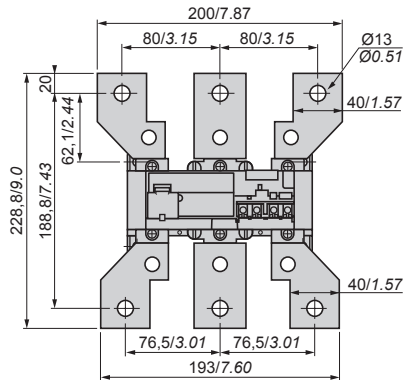


(1) 6,5 x 13,5 (0.26 x 0.53) LR9 F5•57 et F57  
8,5 x 13,5 (0.26 x 0.53) LR9 F5•63, F5•67, F5•69, F63, F67, F69

LR9 F7•75, F7•79, F7•81,  
LR9 F75, F79, F81



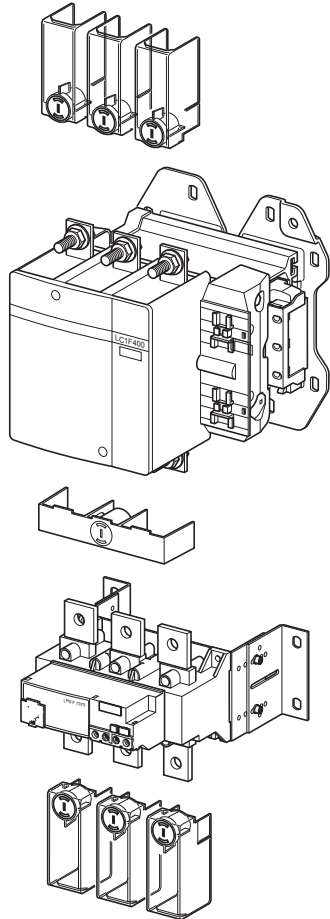
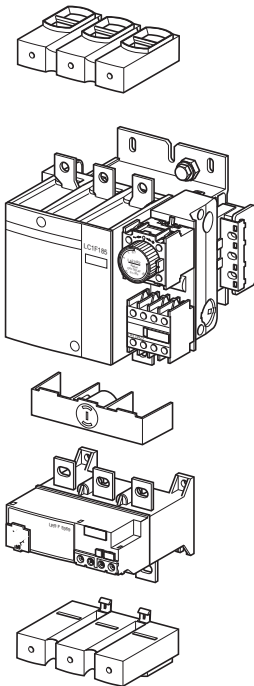
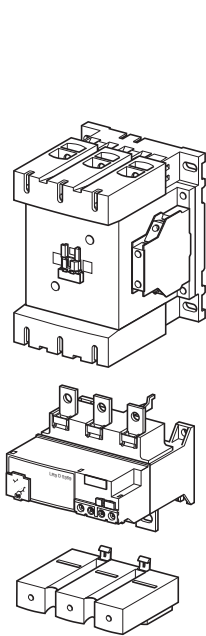
LR9 F7•81 (LC1 F630/F800)  
LR9 F81



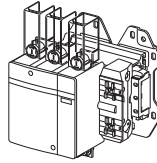
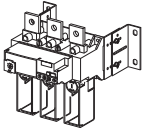
	P1	P2
LR9 F7•75, F75	48/1.89	48/1.89
LR9 F7•79, F7•81, F79, F81	55/2.17	55/2.17

LR9 D

LR9 F



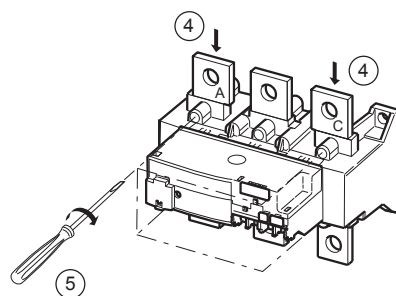
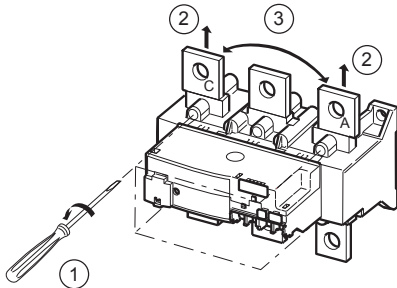
Montage des LR9 F7●●● sous contacteurs LC1 F  
 Installation of LR9 F7●●● under contactors LC1 F  
 Montage der LR9 F7●●● unter das Schütz LC1 F  
 Montaje de los LR9 F7●●● con contactores LC1 F  
 Установка LR9 F7●●● под контакторами LC1 F

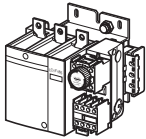
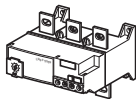
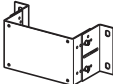



Original / Оригинальный	LC1 F265/F330	LC1 F400	LC1 F500	LC1 F630
LR9F 7●75 			(1)	LA7F406 (1)
LR9F 7●79 	(1)	(1)		LA7F406 (1)
LR9F 7●81 		(1)		(2)

(1) Inverser les épanouisseurs extrêmes.  
 Reverse the end flaring devices.  
 Anschlussverbreiterungen umdrehen.  
 Invierta los dispositivos de ensanchamiento.  
 Поменяйте местами оконечные устройства.

(2) Avec épanouisseurs fournis.  
 With flaring devices supplied.  
 Anschlussverbreiterung in Lieferumfang.  
 Con desarrolladores suministrados.  
 С поставляемыми оконечными устройствами.



			
LC1 F115 LC1 F115 LC1 F115 LC1 F115	LR9 F5●57/F57 LR9 F5●63/F63 LR9 F5●67/F67 LR9 F5●69/F69	LA7 F901 LA7 F901 LA7 F901 LA7 F901	LA7 F401 LA7 F401 LA7 F401 LA7 F401
LC1 F150 LC1 F185 LC1 F185	LR9 F5●57/F57 LR9 F5●63/F63 LR9 F5●71/F71	LA7 F901 LA7 F901 LA7 F901	LA7 F402 LA7 F402 LA7 F407
LC1 F225 LC1 F265	LR9 F5●71/F71 LR9 F7●75/F75 LR9 F7●79/F79	LA7 F901 LA7 F902 LA7 F902	LA7 F403 LA7 F404 LA7 F404
LC1 F330 LC1 F330	LR9 F7●75/F75 LR9 F7●79*/F79*	LA7 F902 LA7 F902	LA7 F404 LA7 F404
LC1 F400 LC1 F400 LC1 F400	LR9 F7●75/F75 LR9 F7●79*/F79* LR9 F7●81*/F81*	LA7 F902 LA7 F902 LA7 F902	LA7 F404 LA7 F404 LA7 F404
LC1 F500 LC1 F500 LC1 F500	LR9 F7●75/F75 LR9 F7●79*/F79* LR9 F7●81*/F81*	LA7 F902 LA7 F902 LA7 F902	LA7 F405 LA7 F405 LA7 F405
LC1 F630	LR9 F7●81/F81	LA7 F902	LA7 F406
LC1 D115	LR9 D5●67/D67 LR9 D5●69/D69	— — —	— — —
LC1 D150	LR9 D5●67/D67 LR9 D5●69/D69	— — —	— — —

\* Avec inversion des épanouisseurs extrêmes.

With inversion of end flaring devices.

Mit Drehung der Anschlussverbreiterungen.

Con inversión de los dispositivos de ensanchamiento.

Оконечные устройства поменяли местами.

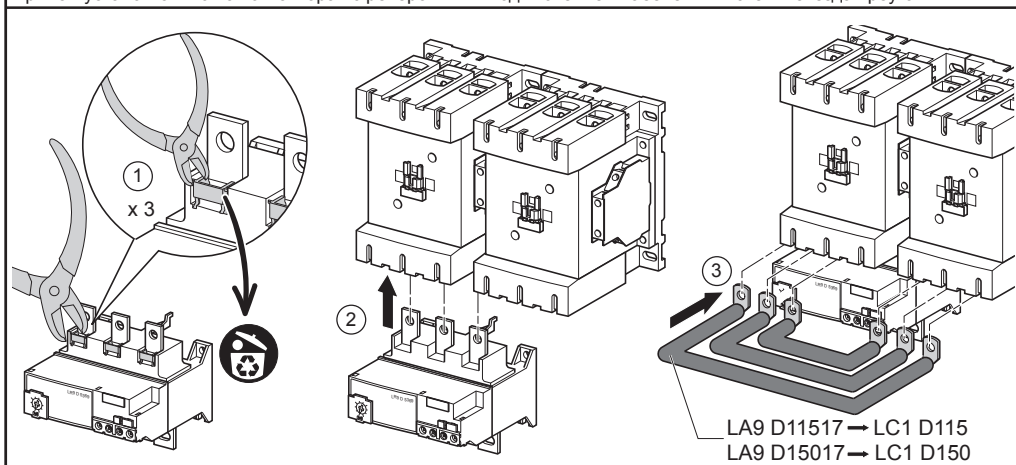
Montage direct LR9 sur contacteurs LC1 en câblage inverseur ou étoile-triangle

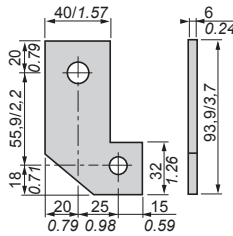
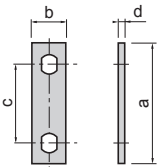
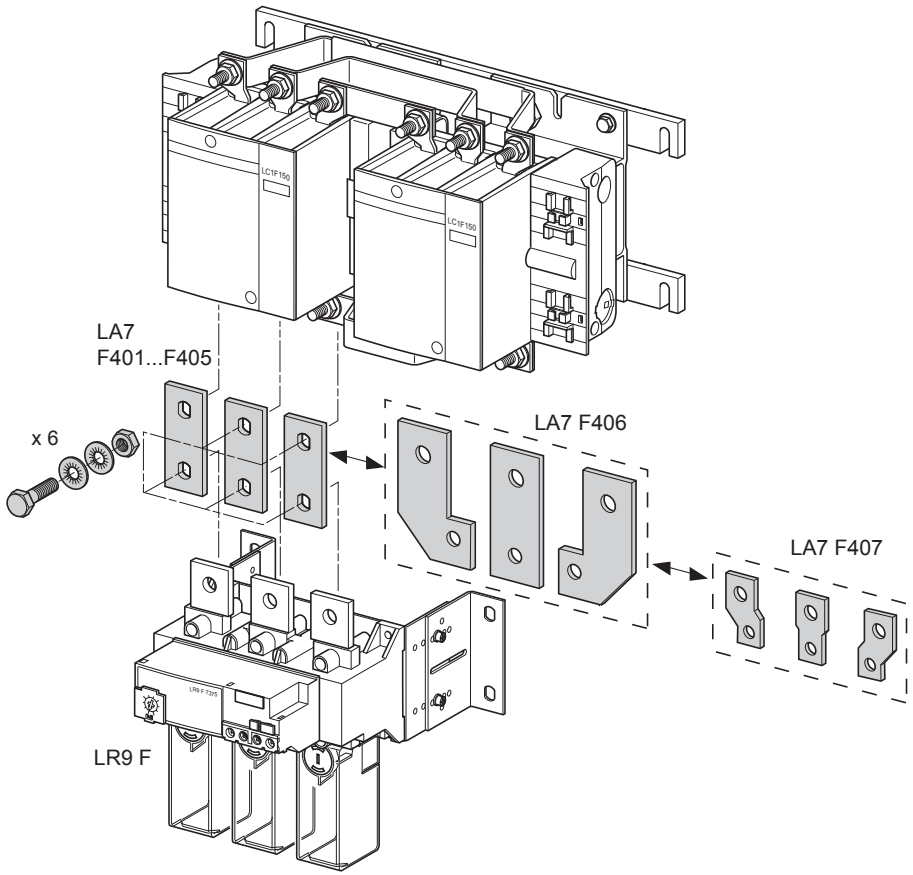
Direct installation of LR9 on contactors, with reversing cable or star-delta connection

Direktmontage LR9 an Schütz LC1 Wende- oder Stern-Dreieck-Anlasser

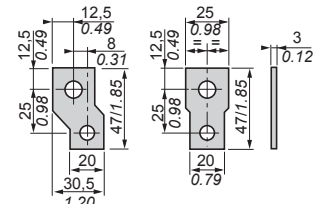
Montaje directo LR9 en contactores en cableado inversor o estrella triángulo

Прямая установка LR9 на контакторах с реверсивным подключением кабелей или схемы звезда-треугольник





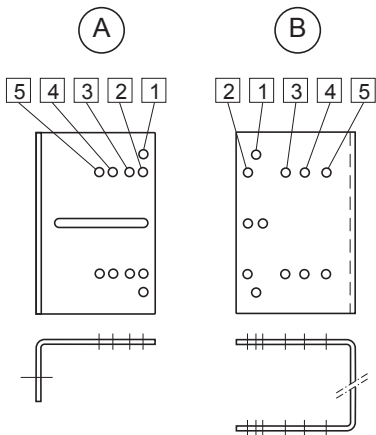
LA7 F406



LA7 F407

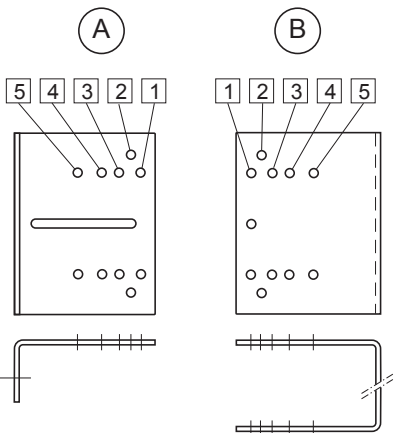
mm  
inch

	a mm/inch	b mm/inch	c mm/inch	d mm/inch
LA7 F401	58,5/2.3	16/0.63	38,5/1.52	3/0.12
LA7 F402	56/2.2	20/0.79	36/1.42	3/0.12
LA7 F403	77,5/3.05	25/0.98	49,5/1.95	4/0.16
LA7 F404	76/3	25/0.98	48/1.89	4/0.16
LA7 F405	74/2.9	30/1.18	44/1.73	6/0.24
LA7 F406	93,9/3.7	40/1.57	55,9/2.20	6/0.24



LA7 F901

LC1	DOL		Reversing-λ/D	
	A	B	A	B
F115	4	4	5	3
F150	4	4	5	3
F185	3	4	2	5
F225	3	4	2	5
F285	2	2	1	1

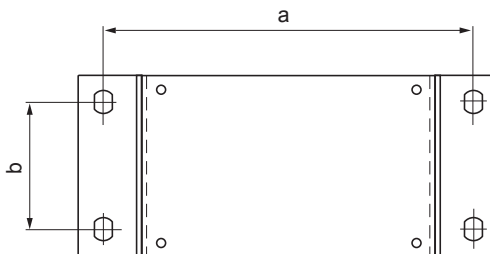


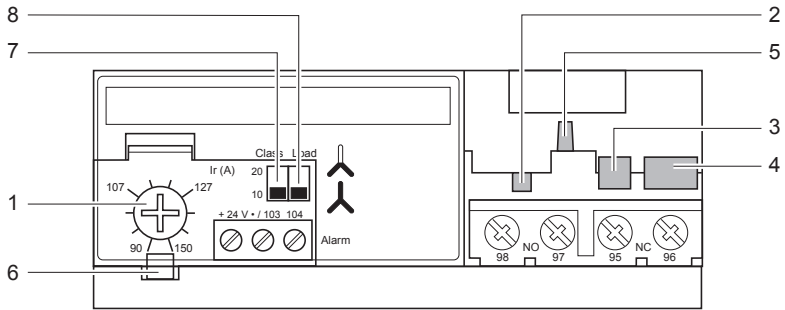
LA7 F902

LC1	DOL		Reversing-λ/D	
	A	B	A	B
F225	4	5	5	5
F265	4	1	5	1
F330	1	3	3	3
F400	2	2	1	4
F500	1	3	3	3
F630	3	1	3	1

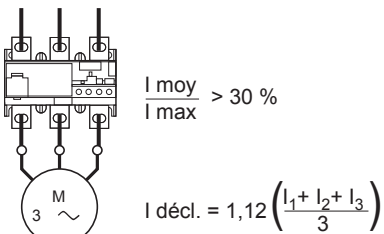
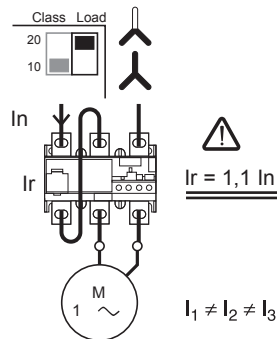
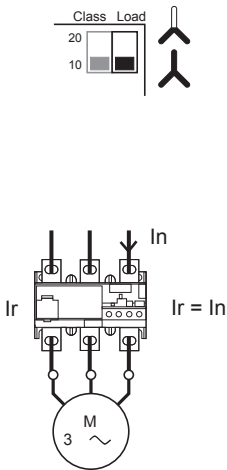
(mm)	a	b
LA7 F901	145	50
LA7 F902	190	58

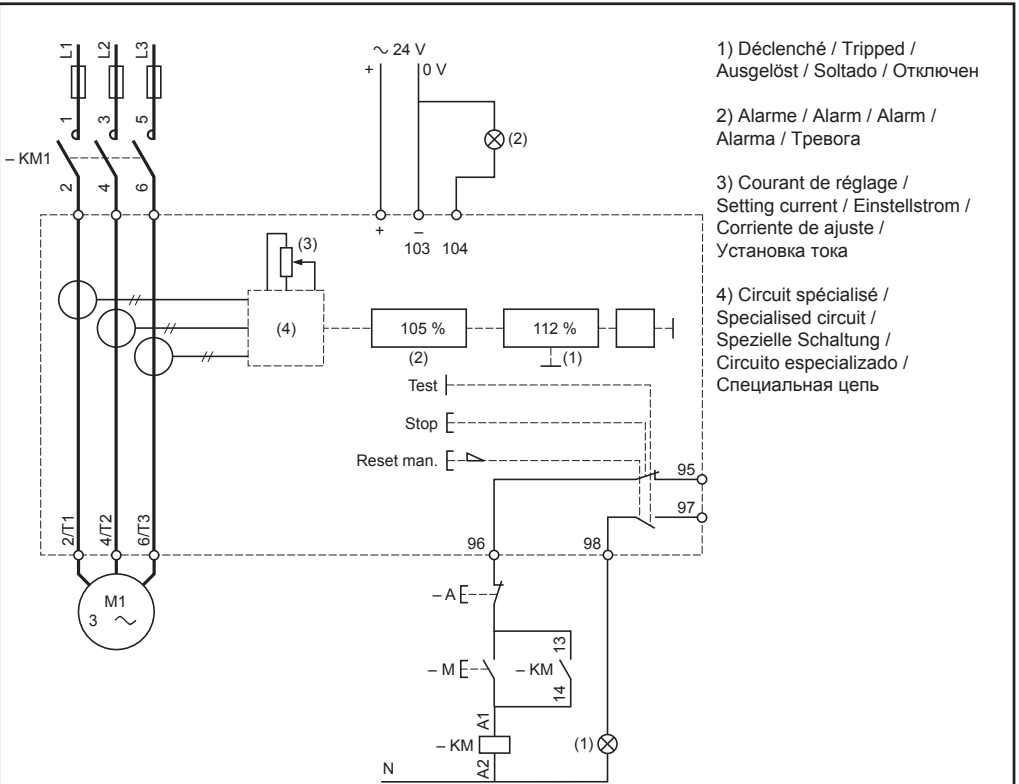
(mm x 0.0394 = inches)





- 1) Réglage du relais / Overload adjustment / Einstellung des Relais / Regulacion del rele / Регулировка перегрузки
- 2) Test / Test / Test / Prueba / Проверка
- 3) Arrêt / Stop / Stillstand / Parada / Останов
- 4) Réarmement / Resrt / Wiedereinschalten / Rearme / Сброс
- 5) Témoin de déclenchement / Trip indicator / Auslösungsmelder / Indicator de disparo / Индикатор отключения
- 6) Verrouillage du réglage (capot plombable) / Sealed adjustment (sealing cover) / Einstellungsschutz durch plombierbare Abdeckung / Precintado del ajuste (capo de precintado) / Регулировка блокировки (крышка)
- 7) Commutateur Classe 10 - Classe 20 / Class 10 - Class 20 switch / Umschalter Klasse 10/Klasse 20 / Conmutador Clase 10 - Clase 20 / Переключатель класса 10 – класса 20
- 8) Commutateur charge équilibrée-charge déséquilibrée / Balanced load-unbalanced load switch / Umschalter Symmetrische Belastung/unsymmetrische Belastung / Conmutador carga equilibrada-carga desequilibrada / Переключатель симметричной – несимметричной нагрузки





### ⚠ WARNING

#### RISK OF FIRE OR ELECTRIC SHOCK (FOR CONTACTOR WITH UL HI-FAULT SHORT CIRCUIT CURRENT RATINGS ONLY)

The opening of the branch-circuit protective device may be an indication that a fault current has been interrupted. To reduce the risk of fire or electric shock, current-carrying parts and the other components of the controller should be examined and replaced if damaged.

**Failure to follow these instructions can result in death, serious injury, or equipment damage.**

#### 产品中有毒有害物质或元素的名称及含量 / Contents of Toxic or Hazardous Substances or Elements

部件名称 Part Name	有毒有害物质或元素 / Toxic or hazardous Substances and Elements					
	铅 (Pb)	汞 (Hg)	镉 (Cd)	六价铬 (Cr <sup>6+</sup> )	多溴联苯 (PBB)	多溴二苯醚 (PBDE)
电子线路板 Electronics Board	X	O	O	O	O	O

**O** : 表示该有毒有害物质在该部件所有均质材料中的含量均在SJ/T11363-2006 标准规定的限量要求以下。

Indicates that this toxic or hazardous substance contained in all of the homogeneous materials for this part is below the limit requirement in SJ/T11363-2006.

**X** : 表示该有毒有害物质至少在该部件的某一均质材料中的含量超出SJ/T11363-2006 标准规定的限量要求。

Indicates that this toxic or hazardous substance contained in at least one of the homogeneous materials used for this part is above the limit requirement in SJ/T11363-2006

对销售之日的所售产品,本表显示,

施耐德电气供应链的电子产品信息可能包含这些物质。注意:在所售产品中可能会也可能不会含有所有列出的部件。

Note: The products on sale may or may not contain all the parts/components listed here.