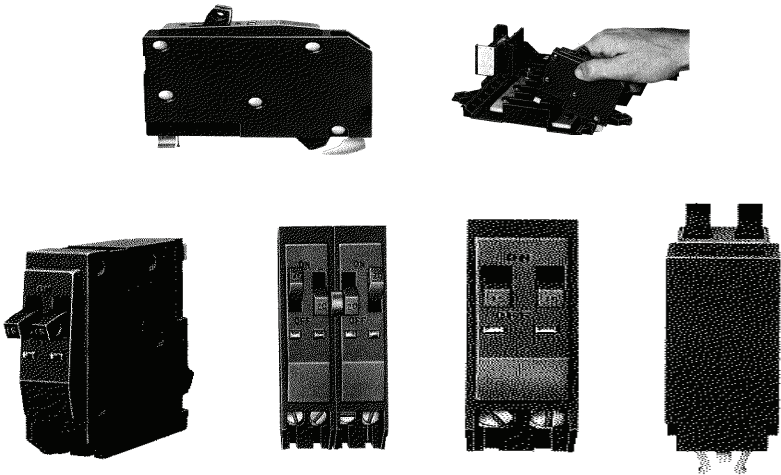


QOT Molded Case Circuit Breakers

Thermal-Magnetic

Catalog
0731CT1401 R02/14

2014
Class 0731



CONTENTS

Description	Page
Application Data	Page 3
Characteristic Tripping Curves	Page 4
Dimensions	Page 6



by Schneider Electric

QOT Molded Case Circuit Breakers

Application Data

Description

The QOT circuit breaker is two single pole thermal-magnetic circuit breakers manufactured in tandem to occupy only one QO pole space. Each single pole QOT circuit breaker provides an individual switching and tripping action. Individual trip 2-pole circuits with common switching may be assembled by using a handle tie (catalog number QOTHT) between the adjacent poles of tandem circuit breakers mounted next to each other.

Application

QOT thermal-magnetic circuit breakers are used for overcurrent protection and switching on ac systems. They are used in QO load centers when two circuits are needed in one pole space.

Ratings

Ampere Rating	One Pole 120/240Vac
• 15 & 15	• QOT1515
• 15 & 20	• QOT1520
• 20 & 20	• QOT2020

All QOT circuit breakers have a UL listed interruption rating of 10,000 rms symmetrical amperes at 120/240 Vac.

Construction Standards

QOT circuit breakers are built in accordance with Underwriters Laboratories Standard #489 and NEMA Standard ABI-1975 and meet Federal Specification W-C-375B/GEN. Circuit breakers are listed as type QOT under UL File #E84967 and are CSA certified under File 92886.

Operating Mechanism

QOT circuit breakers have an overcenter, trip-free toggle mechanism with a quick-make, quick-break action and positive handle indication. QOT circuit breakers have thermal-magnetic trip elements calibrated for 40°C ambient temperature.

Trip Indiction

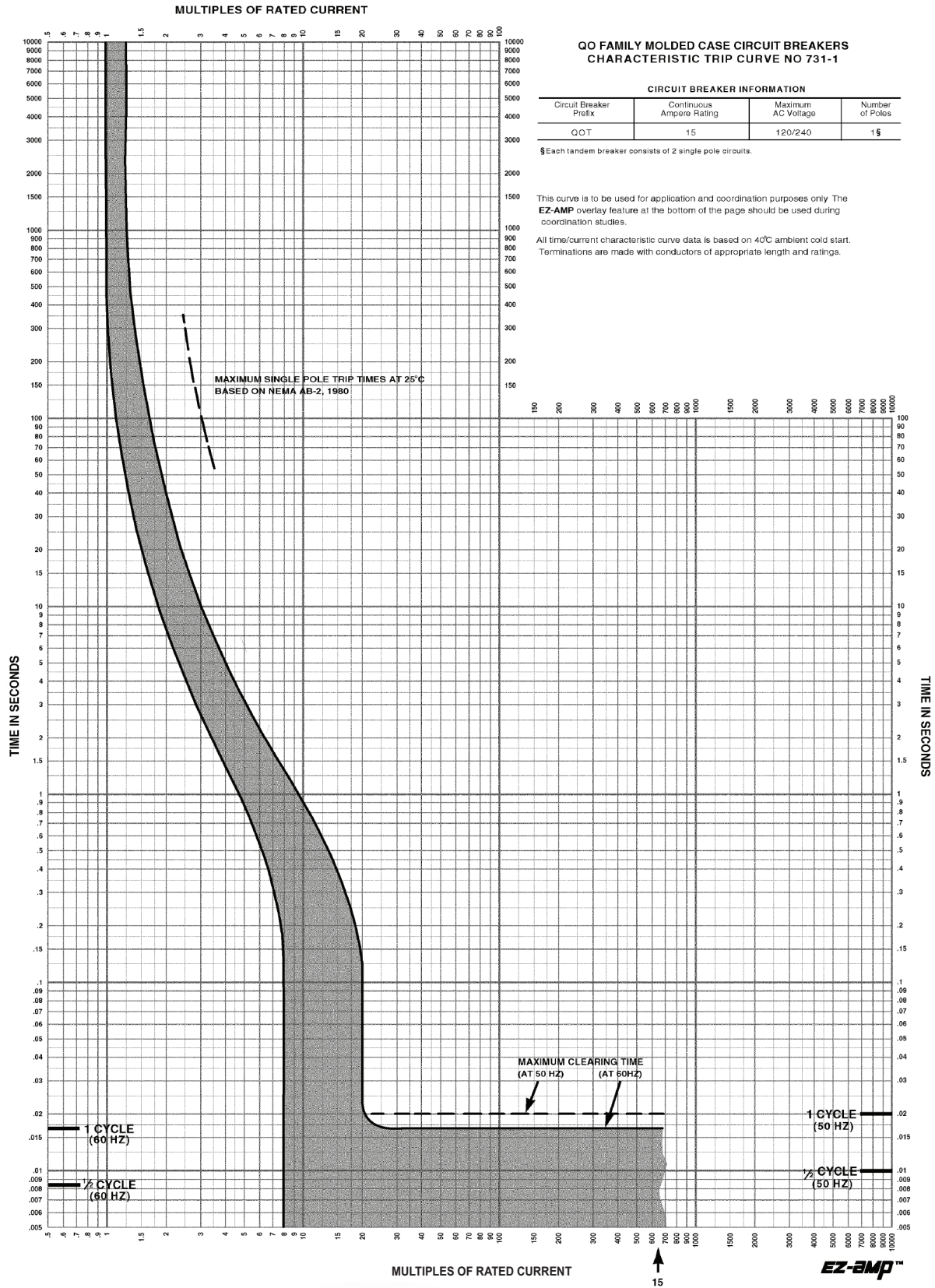
When the circuit breaker is tripped, the handle assumes a center position between ON and OFF and the exclusive VISI-TRIP™ trip indicator appears in the window in the breaker case. The circuit breaker can be reset by pushing the handle to the extreme OFF position and then ON.

Load Terminals

QOT circuit breakers have box type lugs suitable for one #14-#8 AWG copper or aluminum wire.

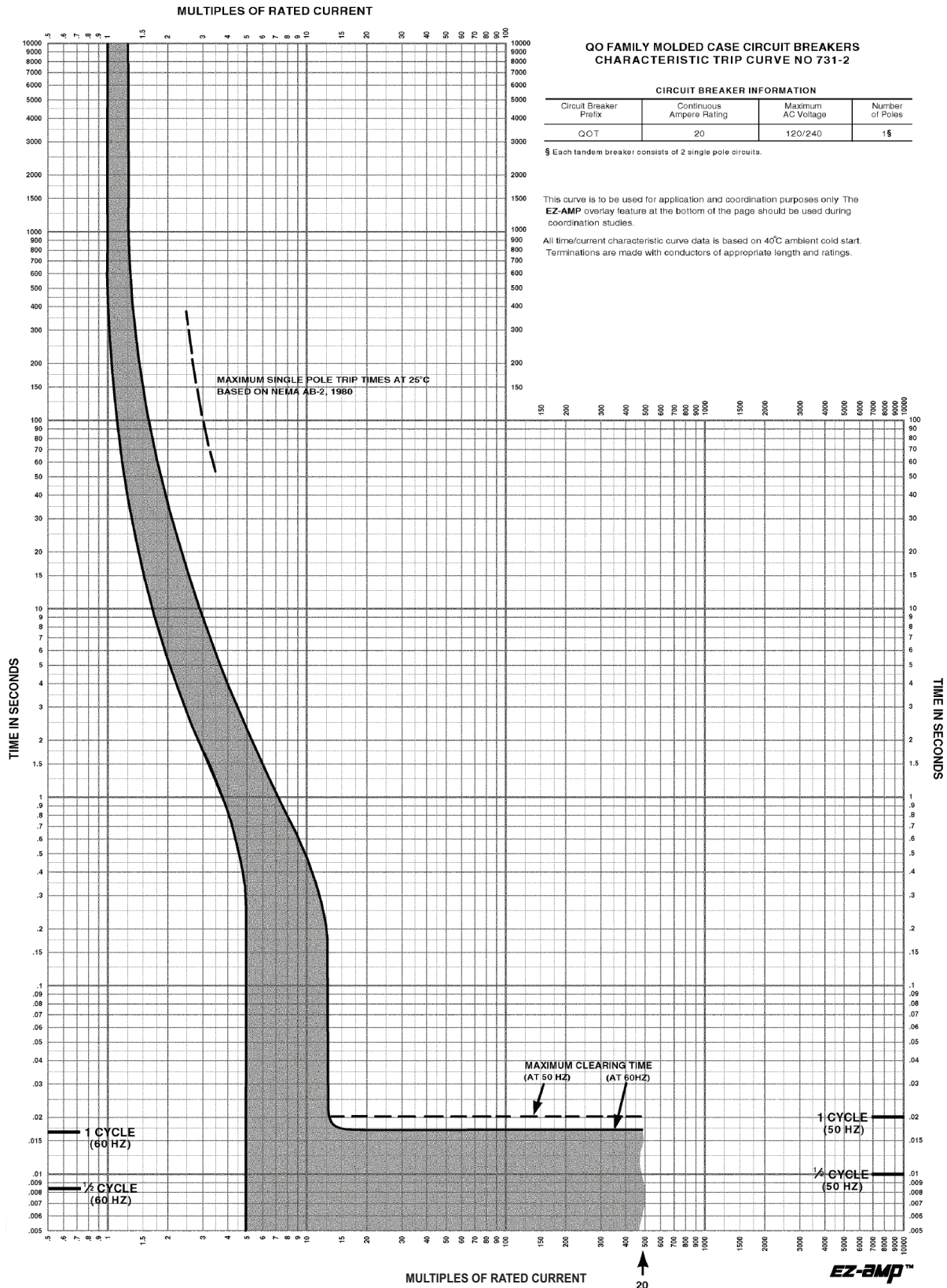
QOT Molded Case Circuit Breakers Characteristic Tripping Curves

Figure 1: QOT Molded Case Circuit Breakers Characteristic Tripping Curve



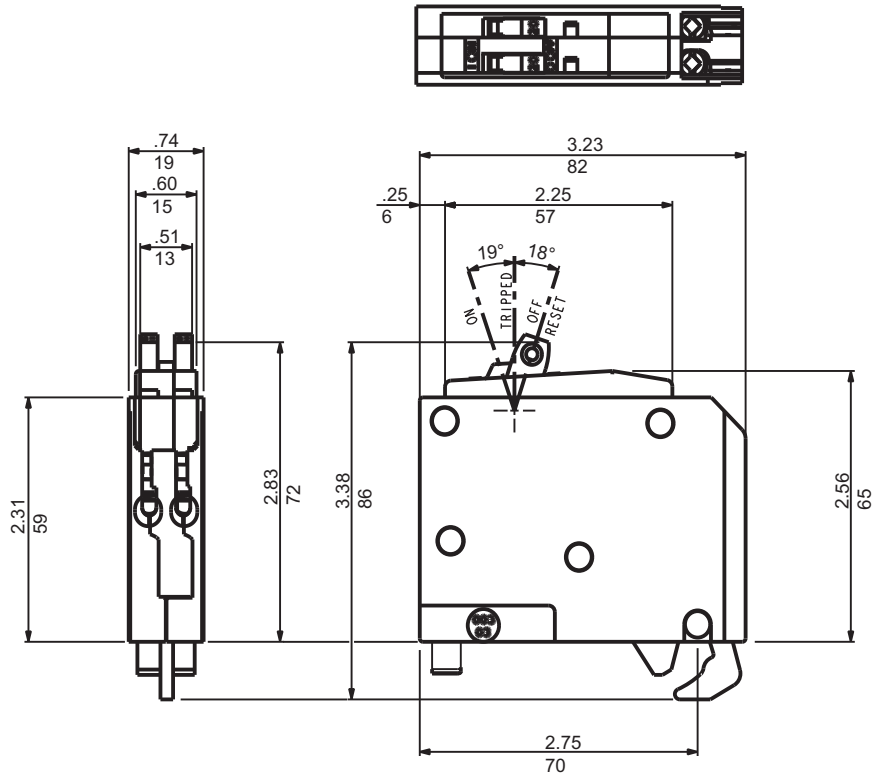
QOT Molded Case Circuit Breakers Characteristic Tripping Curves

Figure 2: QOT Molded Case Circuit Breakers Characteristic Tripping Curve



Dimensions

Figure 3: QOT Molded Case Circuit Breakers Dimensions



Schneider Electric USA, Inc.
 1415 S. Roselle Road
 Palatine, IL 60067 USA
 1-888-778-2733
 www.schneider-electric.us

© 2014 Schneider Electric All Rights Reserved
 Schneider Electric and Square D are trademarks owned by Schneider Electric Industries SAS or its affiliated companies. All other trademarks are the property of their respective owners.

0731CT1401 02/2014