

Instruction Bulletin

Replaces 40269-469-01 03/1983

QO® Circuit Breaker Load Centers

Retain for future use.

INSTALLATION

⚠ DANGER

HAZARD OF ELECTRIC SHOCK, EXPLOSION, OR ARC FLASH

- Apply appropriate personal protective equipment (PPE) and follow safe electrical work practices. See NFPA 70E.
- This equipment must only be installed and serviced by qualified electrical personnel.
- Turn off all power supplying this equipment before working on or inside equipment.
- Always use a properly rated voltage sensing device to confirm power is off.
- Replace all devices, doors and covers before turning on power to this equipment.

Failure to follow these instructions will result in death or serious injury.

Remove Knockouts

1. Turn off all power supplying this equipment before working on or inside equipment.
2. Drive center knockout inward and alternately pry up or drive in outer rings, one at a time.



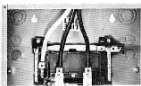
Mount Box

Position box so $\overset{\text{Line}}{\underset{\text{out}}{\uparrow}}$ marking is up for top feed and down for bottom feed.

Pull Conductors Into Box

NOTE: Conductors must enter the box through approved wire clamps, conduit bushing or by other methods approved for the purpose, to prevent damage to conductor insulation.

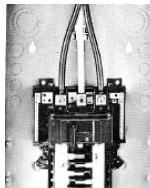
Figure 1: Wire Mains and Neutral



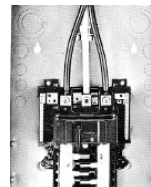
Main Lugs (125 A Max.)



Main Circuit Breaker (125 A Max.)



Main Lugs (225 A Max.)



Main Circuit Breaker (225 A Max.)

INSTALLATION AND WIRING BRANCH CIRCUIT BREAKERS

⚠ WARNING

HAZARD OF EQUIPMENT DAMAGE

- This equipment is designed and tested by Square D® to performance levels which exceed Underwriter's Laboratories Standards.
- Use of other than Square D® circuit breakers may adversely affect user safety and impair reliability. Schneider Electric disclaims all liability for damage, injury or non-performance caused by the use or failure of non-Square D circuit breakers.

Failure to follow these instructions can result in death or serious injury.

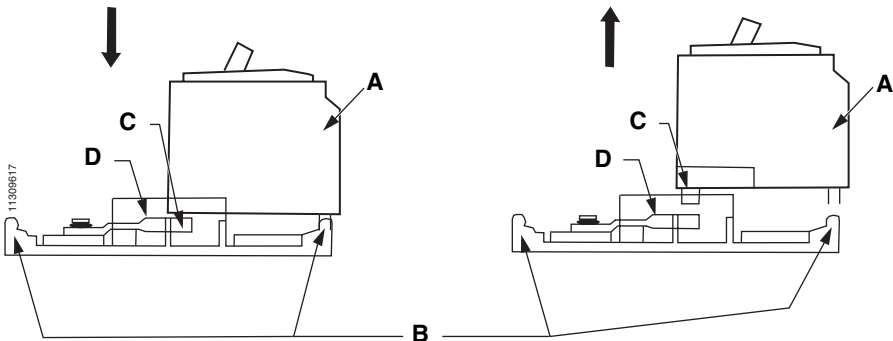
Installing Circuit Breaker

1. Turn OFF (O) circuit breaker.
2. Snap wire terminal end (A) of circuit breaker onto mounting rail (B).
3. Push circuit breaker inward until plug-on jaws (C) plug securely onto bus bar connector (D).
4. Install wire(s).

Removing Circuit Breaker

1. Turn OFF (O) circuit breaker.
2. Remove wire(s).
3. Disconnect plug-on jaws (C) from connector by pulling circuit breaker outward until it disengages from mounting rail (B).

Figure 2: Installing and Removing Circuit Breaker



INSTALLATION FOR QOT CIRCUIT BREAKERS

NOTE: Square D® Class CTL load centers are designed to restrict the installation of more overcurrent devices than that number for which each was designed, rated and approved. To accomplish this, the mounting means for QOT® circuit breakers is different from QO® and Q1® circuit breakers.

CAUTION

HAZARD OF EQUIPMENT DAMAGE

- Before energizing load center, turn main and branch circuit breakers to OFF (O) position. After power is turned on to load center, turn main circuit breaker ON (I) and then turn on branch circuit breakers.
- See lug data chart on load center wire diagram for lug torque specifications.
- See circuit breaker marking for circuit breaker lug torque specifications.
- The QOT mounting cam is thick, hardened steel. Excessive force to improperly install a tandem circuit breaker where no mounting slot is provided will destroy the circuit breaker case.

Failure to follow these instructions may result in equipment damage.

Installation

NOTE: Type QOT tandem circuit breakers may be installed only in load centers where the mounting rail has a slot at the center line of the desired pole place.

1. Turn OFF (O) circuit breaker.
2. Hold QOT circuit breaker at a 30° angle and insert mounting cam (A) in mounting rail (B) as far as possible.
3. Rotate circuit breaker until plug-on jaws (C) plug securely onto bus bar connector (D).

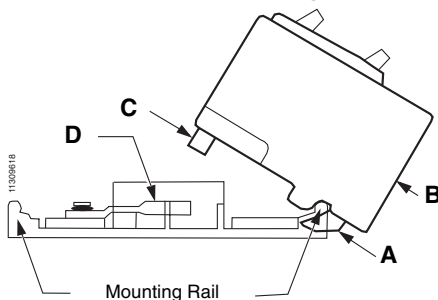
NOTE: Bottom of circuit breaker case should remain against mounting rail.

4. Install wires.

Removal

1. Turn OFF (O) circuit breaker.
2. Remove wires.
3. Disconnect circuit breaker by rotating the plug-on jaws (C) away from bus bar connector (D) until the jaws disengage.
4. Remove circuit breaker from the mounting rail (B).

Figure 3: Tandem Circuit Breaker Mounting and Removal



REMOVE COVER TWISTOUTS

CAUTION

HAZARD OF EQUIPMENT DAMAGE

Remove main circuit breaker twistout only when main circuit breaker is installed. Close unused circuit breaker openings with filler plates.

Failure to follow this instruction will result in equipment damage.

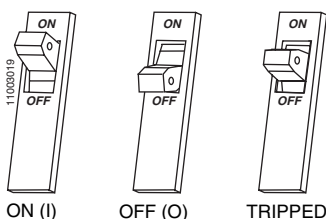
NOTE: Remove only those twistouts which match installed circuit breakers by twisting out with pliers at center of twistout.

Table 1: Filler Plates

Type	Usage
QOFP	Closes 1-pole branch circuit breaker opening.
QOM1FP	Closes 70–125 A main circuit breaker opening.
QOM2FP	Closes 150–225 A main circuit breaker opening.

IDENTIFY CIRCUITS

1. Identify branch circuits on directory label.
2. Handle at mid-position and red Visi-Trip® indicator show circuit breaker is tripped.
3. To reset, move handle to OFF (O) position, then to ON (I) position.



NOTE: If load center is used as service equipment, apply "Service Disconnect" label to cover near main circuit breaker handle. If load center is not used as service equipment, apply "Main" label to cover near main circuit breaker handle.

Schneider Electric USA

1601 Mercer Road
Lexington, KY 40511 USA
1-888-SquareD (1-888-778-2733)
www.us.SquareD.com

Electrical equipment should be installed, operated, serviced, and maintained only by qualified personnel. No responsibility is assumed by Schneider Electric for any consequences arising out of the use of this material.

© 2006 Schneider Electric USA All Rights Reserved