

D225NR

Safety switch, general duty, fusible, 400A, 2 poles, 120 VAC, NEMA 3R, neutral factory installed



Main

Product	Single Throw Safety Switch
Current Rating	400 A
Certifications	UL listed file E2875
Enclosure Rating	NEMA 3R
Disconnect Type	Fusible disconnect switch
Factory Installed Neutral	Neutral (factory installed)
Short Circuit Current Rating	100 kA maximum depending on fuse H, K, J or R
Mounting Type	Surface
Number of Poles	2
Electrical Connection	Lugs
Duty Rating	General duty
Voltage Rating	240 V AC
Wire Size	AWG 10...AWG 6 aluminium/copper

Complementary

Tightening torque	340 lbf.in (38.41 N.m) AWG 1/0...250 kcmil)
Height	30.63 in (778.00 mm)
Width	22.25 in (565.15 mm)
Maximum Depth	10.13 in (257.30 mm)

Ordering and shipping details

Category	00107 - D & DU SW,NEMA3R, 400-600A
Discount Schedule	DE1A
GTIN	00785901460817
Nbr. of units in pkg.	1
Package weight(Lbs)	66.46 lb(US) (30.15 kg)
Returnability	Yes
Country of origin	MX

Packing Units

Unit Type of Package 1	PCE
Package 1 Height	11.00 in (27.94 cm)
Package 1 width	23.00 in (58.42 cm)
Package 1 Length	32.00 in (81.28 cm)

The information provided in this documentation contains general descriptions and/or technical characteristics of the performance of the products contained herein. This documentation is not intended as a substitute for and is not to be used for determining suitability or reliability of these products for specific user applications. It is the duty of any such user or integrator to perform the appropriate and complete risk analysis, evaluation and testing of the products with respect to the relevant specific application or use thereof. Neither Schneider Electric Industries SAS nor any of its affiliates or subsidiaries shall be responsible or liable for misuse of the information contained herein.

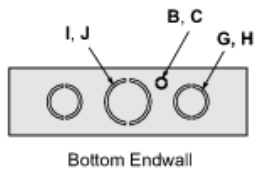
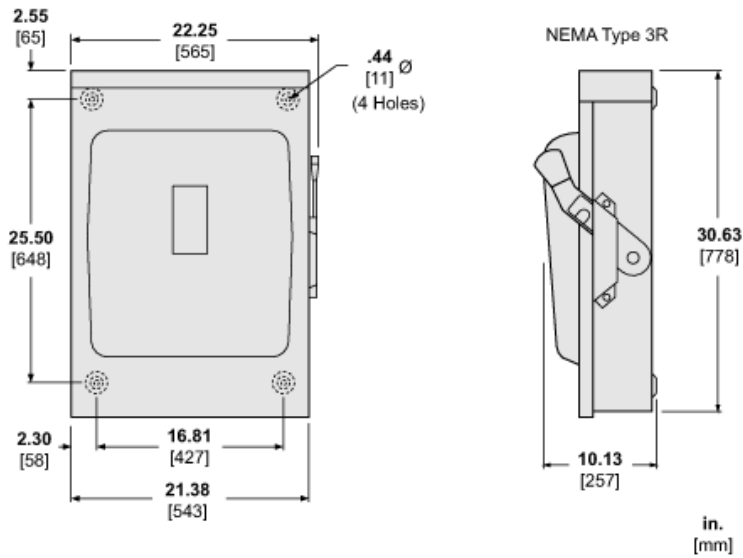
Offer Sustainability

Sustainable offer status	Green Premium product
California proposition 65	WARNING: This product can expose you to chemicals including: Lead and lead compounds, which is known to the State of California to cause cancer and birth defects or other reproductive harm. For more information go to www.P65Warnings.ca.gov
REACH Regulation	REACH Declaration
REACH free of SVHC	Yes
EU RoHS Directive	Compliant EU RoHS Declaration
Mercury free	Yes
RoHS exemption information	Yes
China RoHS Regulation	China RoHS Declaration
Environmental Disclosure	Product Environmental Profile
PVC free	Yes
Halogen content performance	Halogen free plastic parts product

Contractual warranty

Warranty	18 months
----------	-----------

Approximate Dimensions



Knockouts						
Symbol	B	C	G	H	I	J
Conduit Size (in.)	.75	1	2.5	3	3.5	4