

# UNDERGROUND HARDWARE

Catalog CA12001E





# Contents

- Channel Steel Type Racks..... 1
- Channel Steel Type Hooks, Insulator, Hook Lock Clip, Extensions..... 2
- Heavy Channel Steel Type Racks..... 3
- Heavy Channel Steel Type Insulator, Hooks..... 4
- T-Section Type Racks, Hooks, Insulators (White Glaze) ..... 5
- H-Slot Type Racks, Support Hooks..... 6
- Nob-Loc Type Racks, Support Hooks ..... 7
- Cable Support Insulators..... 8

**HUBBELL POWER SYSTEMS, INC.**  
**TERMS & CONDITIONS OF SALES Effective January 1, 2011**

These terms and conditions of sales ("terms and conditions") apply to the purchase by Buyer of any and all Hubbell Power Systems, Inc. ("HPS") products. HPS hereby gives notice of its rejection to any different or additional terms and conditions other than as stated herein. Buyer's acceptance of the provisions of HPS's terms and conditions as recited herein shall be conclusively presumed upon Buyer's receipt of the product(s), or if no written objection is received by HPS within fifteen (15) days from the date on HPS's order acknowledgment, whichever event shall first occur.

**PRICING**

Refer to appropriate Price Schedule, unless otherwise quoted.

**TERMS**

Payment terms are net 30 days. Invoices will be dated the day of shipment. A service charge of 1-1/2% per month or, if such rate exceeds the maximum lawful rate, the maximum lawful rate shall be assessed on all past due accounts and shall be payable on demand.

**QUOTATIONS**

Unless otherwise stated in writing, HPS' quotations are subject to acceptance by the Buyer within thirty (30) days from the date of issue.

**SALES AND SIMILAR TAXES**

Prices do not include any sales, use, excise or similar taxes. Consequently, in addition to the price specified herein, the amount of any present or future sales, use, excise or other similar tax applicable to the sale or use of the equipment hereunder, shall be paid by the Buyer, or in lieu thereof the Buyer shall provide HPS with a tax exemption certificate acceptable to the taxing authorities.

**ACCEPTANCE OF ORDERS**

All orders are subject to final acceptance by HPS. Any other terms proposed by Buyer are rejected unless expressly accepted in writing. Orders shall be deemed to be executed in the State of Missouri and shall be construed and performed in accordance with the laws of that State. Acceptance of any order is subject to availability of product and the ability of HPS to deliver. Orders will be billed at prices in effect at time of shipment unless otherwise agreed. Unless otherwise stated in writing, HPS reserves the right to ship plus or minus 10% of specified quantity for special products that are made to order.

**SALES BY AGENTS**

Sales by agents or through overseas representatives shall be at prices, terms and conditions of sale specified by HPS. All invoices will be issued by and payment remitted to HPS.

**DELAY**

HPS will use reasonable efforts to meet shipment or delivery dates specified by HPS, but such dates are estimates only. In no event shall be liable for any delay or nondelivery if caused directly or indirectly by Acts of God, fire, flood, strike or lockout or other labor dispute, accident, civil commotion, riot, war, governmental regulation or order, whether or not it later proves to be invalid, or from any other cause or causes (whether or not similar to any of the foregoing) beyond HPS's control. In no case will HPS be liable for loss of profits or any special or consequential damages on account of any delay in delivery or nondelivery whether or not excused hereunder.

**SHIPPING DEFERMENT**

Buyer requests for shipping deferment must be approved by HPS and are subject to price negotiation.

**LIMITED WARRANTY AND LIMITATION OF LIABILITY**

HPS warrants to Buyer that the products sold will be free of defects in workmanship or material for a period of one (1) year (or as otherwise specified) from the date of original shipment by HPS when stored, installed, operated or maintained in accordance with recommendations of HPS and standard industry practice and when used under proper and normal use. HPS shall in no event be responsible or liable for modifications, alterations, misapplication or repairs made to its products

by Buyer or others, or for damage caused thereto by negligence, accident or improper use by Buyer or others. This warranty does not include reimbursement for the expenses of labor, transportation, removal or reinstallation of the products. This warranty shall run only to the first Buyer of a product from HPS, from HPS' Buyer, or from an original equipment manufacturer reselling HPS' product, and is non-assignable and non-transferable and shall be of no force and effect if asserted by any person other than such first Buyer.

**APPLICATION:** HPS does not warrant the accuracy of and results from product or system performance recommendations resulting from any engineering analysis or study. This applies regardless of whether a charge is made for the recommendation, or if it is provided free of charge. Responsibility for selection of the proper product of application rests solely 2 Effective January 1, 2011 with the Buyer. In the event of errors or inaccuracies determined to be caused by HPS, its liability will be limited to the reperformance of any such analysis or study.

**BUYER INSPECTIONS:** Tests, inspections and acceptance of all material must be made at the factory. Buyer's inspectors are welcome at the factories and are provided with the necessary facilities for carrying out their work. Name and phone number of who should be contacted for inspection should be given to HPS no later than two weeks prior to scheduled shipment date.

**DISCLAIMER OF WARRANTY: THE FOREGOING WARRANTY IS EXCLUSIVE AND IN LIEU OF ALL OTHER WARRANTIES WHETHER WRITTEN, ORAL, EXPRESSED OR IMPLIED. THERE ARE NO WARRANTIES OF MERCHANTABILITY OR FITNESS OF ANY PRODUCT FOR A PARTICULAR PURPOSE.**

**EXCLUSIVE REMEDY:** Any claim by Buyer that a product is defective or non-conforming shall be deemed waived by Buyer unless submitted to HPS in writing within thirty (30) days from the date Buyer discovered, or by reasonable inspection should have discovered the alleged defect or non-conformity. Any warranty claim must be brought within one year of discovery of the alleged defect or non-conformity. Upon prompt written notice by the Buyer that a product is defective or non-conforming, HPS' liability shall be limited to repairing or replacing the product, at HPS' option.

**LIMITATION OF LIABILITY: IN NO EVENT AND UNDER NO CIRCUMSTANCES SHALL HPS BE LIABLE TO BUYER OR TO ANY OTHER PERSON FOR ANY INDIRECT, SPECIAL, CONSEQUENTIAL OR INCIDENTAL LOSSES OR DAMAGES, INCLUDING, WITHOUT LIMITATION, DAMAGE TO OR LOSS OF USE OF ANY PRODUCT, LOST SALES, OR PROFITS, OR DELAY OR FAILURE TO PERFORM THIS WARRANTY OBLIGATION, OR CLAIMS OF THIRD PARTIES AGAINST PURCHASER, ARISING OUT OF OR IN CONNECTION WITH THE SALE, INSTALLATION, USE OF, INABILITY TO USE, OR THE REPAIR OR REPLACEMENT OF, HPS' PRODUCTS.** As stated herein, the term "person" shall include without limitation, any individual proprietorship, partnership, corporation or entity.

**FREIGHT ALLOWANCE and F.O.B. POINT**

All shipments are F.O.B. origin. Risk of loss and title of products shall pass to Buyer upon delivery to the designated carrier. Freight is prepaid and allowed on all HPS shipments of products with a net order value of \$5,000 and above to destinations within the Continental U.S.A and Canada, with the exception of USCO brand products. Freight is prepaid and allowed on all shipments of USCO brand products with a net order value of \$20,000 and above. An 8% shipping and handling charge will be added to all standard shipments under the minimum net order value. Customer expedited orders will be billed at actual freight cost plus \$50.00 handling. Shipments to Alaska and Hawaii are F.O.B. Pacific Coast docks, collect beyond. Tool trailers will be F.O.B. HPS' dock – no freight allowed. HPS reserves the right to route all qualified freight allowed shipments via least expensive surface route within the Continental United States and Canada. Buyer will assume all charges for transportation specified via more expensive means. Acceptance of a specified routing does not

constitute a guarantee of ship date, transit time or arrival date. HPS will not be responsible for any cartage or storage charges at destination. HPS' responsibility for exception-free delivery ceases when the transportation company receives shipment in good condition. Claims for loss or damage must be reported directly to the carrier. HPS's willingness to assist does not indicate liability for claim or replacement.

#### **PARTIAL RELEASE**

If an order has multiple releases specified by the Buyer, each release will be treated as individual orders, relative to freight allowance and minimum billing.

#### **BACK ORDERS**

Back orders that are the responsibility of HPS will be shipped F.O.B. factory or point of shipment with freight prepaid and allowed via the most cost effective method, providing the original order qualified for freight allowance.

#### **MINIMUM BILLING**

Standard Orders — \$750 net per order. Tools — \$100 net per order. Parts — \$100 net per order.

#### **ORDER ADD-ON POLICY**

HPS' "Add-On" policy allows you to add items to an existing unshipped order for up to fifteen (15) days from the entry date of the original order. The minimum value for added products is \$250. Addition of tools or parts must be \$100.

#### **DELIVERY SCHEDULE**

Shipping dates provided by HPS are estimates only. HPS shall make every reasonable effort to meet Buyer's shipping requirements provided HPS promptly receives all necessary information from Buyer and approved drawings if required by HPS. HPS will not assume liability because of delayed shipment for any reason. HPS's responsibility ceases upon acceptance of shipment by carrier.

#### **CANCELLATIONS**

Cancellation of an order for current stock product requires a minimum of five (5) days' notice prior to actual ship date. Stock product orders shipped after cancellation notice is received, but before expiration of the five-day requirement, will be subject to all standard returned product conditions, noted below. Cancellation on non-stock products may be made only if no work has been performed or material purchased. If cancellation is requested after work is in progress, there will be a cancellation 3 Effective January 1, 2011 charge as established by HPS. Orders may not be cancelled unless HPS gives its written consent, and then only upon agreement as to applicable cancellation charges.

#### **RETURNED PRODUCT**

GENERAL CONDITIONS applying to all transactions:

1. Product is not returnable without the written consent of HPS.
2. Request for permission to return product must be made in writing within one year from date of shipment, and Buyer must provide original HPS invoice number.
3. Product to be returned must be considered standard product by HPS.
4. HPS reserves the right to refuse returns of any special or made-to-order product, regardless of condition.
5. All returned products must be in excellent, resaleable condition and packaged in the original carton. Products will be inspected upon return; and any service or repair needed to place them in first class, saleable condition will be charged and added to the restocking charge.
6. A 25% restocking charge will be deducted from all credits issued on authorized returns.
7. Return Goods Authorization (RGA) Packing List, supplied by the factory, must accompany the return shipment.
8. Return freight must be prepaid. Product must be received by HPS within sixty (60) days of issuance of RGA.
9. Net value of the return must not be less than \$250.
10. HPS reserves the right to deduct for any damage sustained in transit.

11. Unauthorized returns will be refused. Equipment returned without proper authorization from HPS will, at the sole option of HPS, be returned to the Buyer freight collect, or scrapped immediately with no issuance of credit. Unauthorized product included in a return will not be credited.

#### **BROKEN PACKAGE POLICY**

Shipments will be made in standard package quantities or multiples thereof. HPS Customer Service will notify the Buyer of any orders that do not comply with this policy. The Buyer must authorize an adjustment to comply with standard package quantities before the order will be entered.

#### **DROP SHIPMENT POLICY**

A 10% net order value drop shipment charge will be added to all purchase orders requesting delivery to a location other than a recognized Buyer stocking warehouse, with the exception of full truckload and/or project material. This is in addition to any other charges to the net order.

#### **QUOTATION PRICE PROTECTION**

All prices shown in the price lists are subject to change without notice. All quotations on special products or modifications to catalog products are binding only if confirmed in writing by the factory for the period shown on the quotation. Price protection will be provided for a period of thirty (30) days from date of quotation from HPS.

#### **ORDERS**

All orders are taken and prices quoted only with the understanding that each order shall be subject to the acceptance of HPS upon such terms as we may specify when order is received. Prices to cover amount of any sales or excise tax which now or hereinafter may be imposed by any taxing authority upon this product or the sale or manufacture thereof.

#### **PRODUCT SPECIFICATION**

HPS reserves the right to discontinue products, modify designs, and change specifications or prices without incurring obligation.

#### **INVOICING**

All invoices are due and payable per the standard terms stated herein. In the case of an apparent discrepancy in a line item charge, Buyer is obligated to advise HPS Customer Service in writing of the nature of the claimed discrepancy within five (5) days of receipt of the invoice. This includes all requests for proof of delivery. A claim of discrepancy does not relieve Buyer of the absolute obligation to pay the remaining balance of the invoice in accordance with the standard terms of payment. Upon review, HPS will have sole discretion to resolve the discrepancy; and the Buyer expressly agrees to abide by HPS' decision. HPS will promptly advise Buyer of its decision regarding any disputed items or charges.

#### **OSHA**

HPS warrants that at time of shipment, the products will conform to the applicable occupational safety and health standards promulgated pursuant to the Federal Occupational Safety and Health Act of 1970, which are in effect on the date that HPS enters its acknowledgment of Buyer's order. The Buyer's exclusive remedy and HPS' liability for breach of this warranty is limited to replacement of the nonconforming products.

#### **FAIR LABOR STANDARDS ACT AS AMENDED**

HPS represents that any goods to be delivered hereunder will be produced in compliance with the requirements of the Fair Labor Standards Act of 1938, as amended.

#### **NOTE**

These Terms and Conditions supersede all those published and previously issued by The A.B. Chance Company, The Ohio Brass Company, Anderson Electrical Products, Inc., Fargo Manufacturing Company, Inc., Chardon Electrical Components, USCO Power Equipment Corporation, Hubbell Canada LP and Hubbell Power Systems, Inc.



## **Complete Cable Management & Racking Solutions**

From aerial to burial, the Hubbell Power Systems product offering provides both innovative and cost-effective solutions for telecommunication and utility providers. Utilizing the latest technologies in manufacturing, our underground hardware products are constructed to deliver the reliability you depend on from the name you know and trust.

At HPS, we build products that provide mission critical infrastructure. And our commitment to quality is woven into all of the products we manufacture and the markets we serve.

# Underground Cable Racking

## CHANNEL-STEEL TYPE

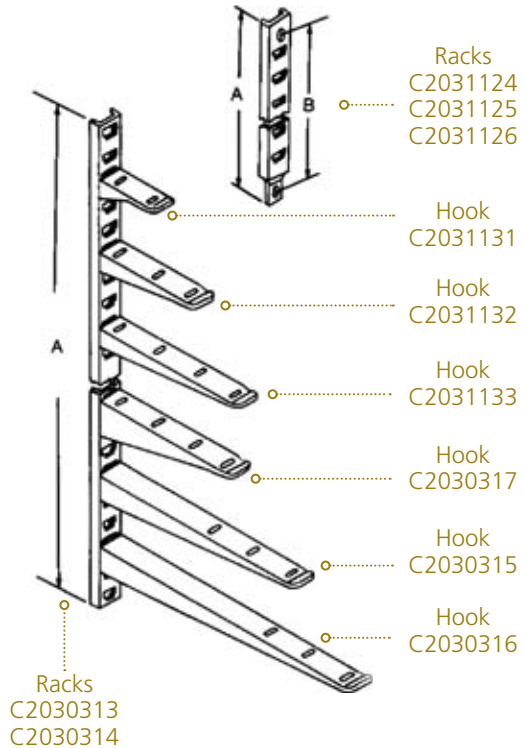
- Hot dip galvanized racks with hook holes 1½" apart.
- Fasten to manhole or interior walls with ½" x 4" expansion bolts (not included).
- Mounting slots ⅝" x ¾" at top and bottom of 15", 24" and 30" lengths overlap for assembly in combinations for overall length desired.

### Cable Racks

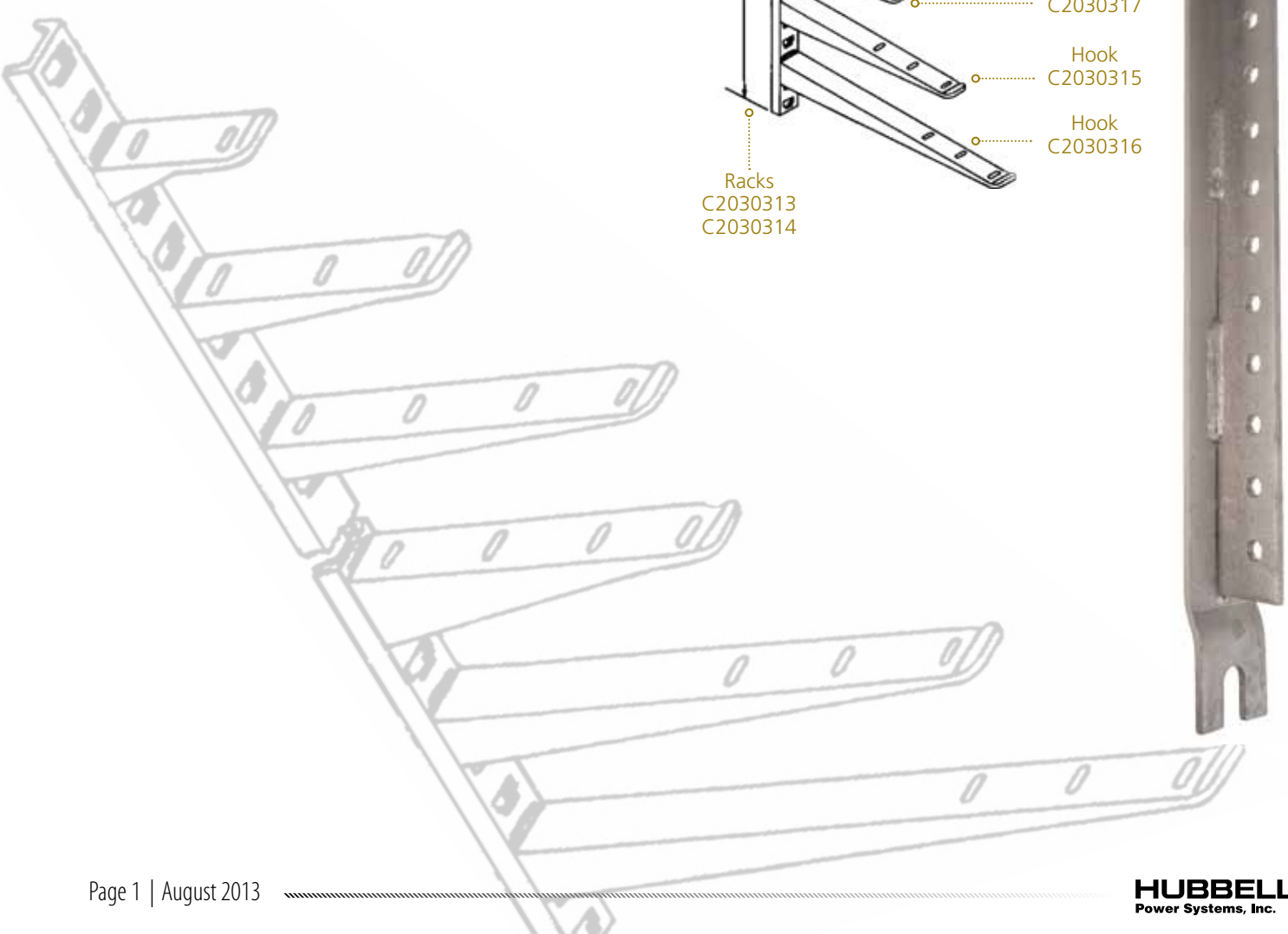
1½" x ⅝" x ⅜" Channel Steel

Catalog Number	Number of Hook Holes	Dimensions Inches		Approx Ship Wt lb Per Each
		A	B	
C2031124 <sup>(1)</sup>	8	15	13½	1.62
C2031125 <sup>(1)</sup>	14	24	22½	2.30
C2031126 <sup>(1)</sup>	18	30	28½	2.80
C2030313	37	55¼	—	5.70
C2030314	47	70¼	—	7.20

(1) RUS listed.



RACKING



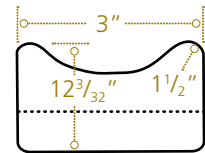
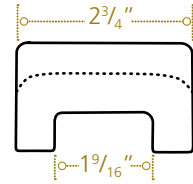
# Underground Cable Racking

## CHANNEL STEEL TYPE (CONTINUED)

- Hot dip galvanized hooks with rounded surfaces have  $\frac{3}{16}$ " x  $\frac{13}{16}$ " slots for lock clips.
- For hooks with 0.080" plasticized PVC coating for abrasion protection, contact Hubbell Power Systems, Inc. ServiCenter.

### Cable Rack Hooks

Catalog Number	Length from Face of Rack Inches	Dimensions Inches	Approx Ship Wt lb Per Each
C2031131 <sup>(1)</sup>	4	1½ x 1½ x ¾	0.42
C2030502 <sup>(2)</sup>	4	1½ x 1½ x ¾	0.49
C2031132 <sup>(1)</sup>	7½	1½ x 1½ x ¾	0.96
C2031128 <sup>(2)</sup>	7½	1½ x 1½ x ¾	1.08
C2031133 <sup>(1)</sup>	10	1½ x 1½ x ¾	1.08
C2031127 <sup>(2)</sup>	10	1½ x 1½ x ¾	1.36
C2030317	10	1½ x 2¼ x 1¾	1.76
C2030315 <sup>(1)</sup>	14	1½ x 1¾ x ¾	2.04
C2030499 <sup>(2)</sup>	14	1½ x 1¾ x ¾	2.40
C2030316 <sup>(1)</sup>	18	1½ x 1¾ x ¾	2.68
T2030500 <sup>(2)</sup>	18	1½ x 1¾ x ¾	3.12

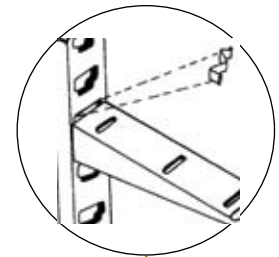


No C2031120

(1) RUS listed. (2) Plasticized PVC coated.

### Cable Rack Insulator (White Glaze)

Catalog Number	Dimensions Inches			Approx Ship Wt lb Per Each
	Radius	Length Along Hook	Width	
C2031120	1½	3	2¾	0.80



### Cable Rack Hook Lock Clip

Catalog Number	Material	Size Inches	Approx Ship Wt LB Per Each
L1100	Galvanized Steel	18 Ga x ¾	0.02



No L1100

### Extension For Cable Racks

Catalog Number	Dimensions Inches			Approx Ship Wt lb Per Each
	Mounting Hole Size	Extension A	Steel Size	
1101	9/16	3¾	½ x 1	1.10
1102	9/16	6¾	½ x 1¼	2.52





# Underground Cable Racking

## HEAVY CHANNEL STEEL TYPE



RACKING

### Cable Racks

Catalog Number	Dimensions Inches				Approx Ship Wt lb Per Each
	Number of Slots	Hook Slot Spacing	Overall Length	Mounting Hole Space	
R1473	3	8	24	16	10.0
R1474	4	8	32	24	14.0
R1476	6	8	48	40	21.0
C2030047 <sup>(1)</sup>	6	8	48	22 <sup>3</sup> / <sub>8</sub> & 40	21.0

(1) Same as R1476 except three mounting holes. Lower two are slotted.

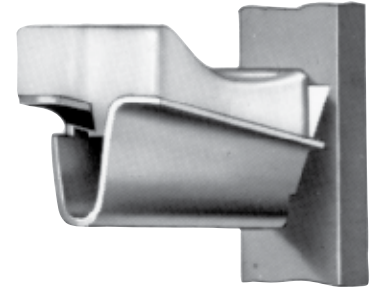
UNDERGROUND

# Underground Cable Racking

## HEAVY CHANNEL STEEL TYPE (CONTINUED)

### Cable Rack Insulator (White Glaze)

Catalog Number	Dimensions Inches			Approx Ship Wt lb Per Each
	Radius for Cable	Overall Length	Overall Width	
1115	2 $\frac{3}{8}$	4 $\frac{1}{2}$	2 $\frac{3}{8}$	1.34



Insulator No 1115

### Cable Rack Hooks

Catalog Number	Number of Insulators Accomodated	Dimensions Inches		Steel Size Gauge	ANSI Load Rating lb	Approx Ship Wt lb Per Each
		Extension from Face of Rack	Overall Length			
1292	2	10 $\frac{1}{4}$	12	12	400	2.44
1293	3	16 $\frac{3}{8}$	18	12	200	3.40



reliable

# Underground Cable Racking

## T-SECTION TYPE

- Vertical pinning of successive racks is permitted by an offset at each rack end.
- Racks are made of 2¼" x 2¼" x ¼" steel T-section.
- Hot dip galvanized.
- Mounting holes and slot for fastening to manhole walls are designed to be used with or without insulators.
- Hooks supplied with ⅜" x 1½" cotter bolt and key, also available with plastisol coatings applied after galvanizing.

### Cable Racks

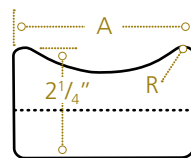
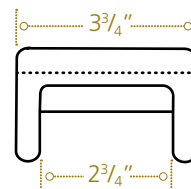
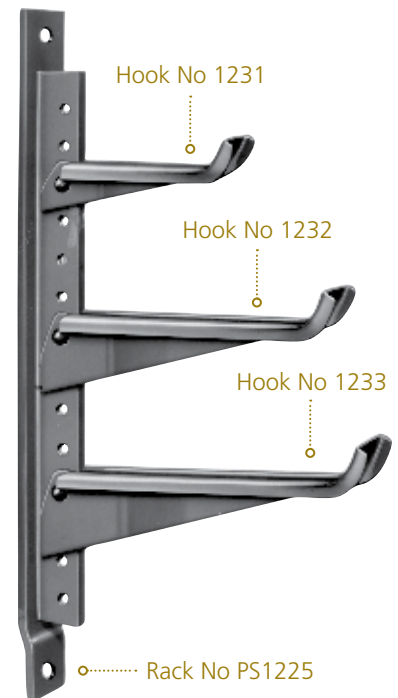
Catalog Number	Number of Hook Holes	Dimensions Inches			Approx Ship Wt lb Per Each
		Hook Hole Spacing	Overall Length	Mounting Hole Spacing	
PS1225	14	1½	27½	25½	8.40

### Cable Rack Insulator (White Glaze)

Catalog Number	Dimensions in Inches			Approx Ship Wt lb Per Each
	Radius for Cable R	Length Along Hook A	Width	
1121	2¾	3¾	3¾	1.38
1118	1½	3	3¾	1.12

### Cable Rack Hooks

Catalog Number		Dimensions Inches		ANSI Load Rating lb	Approx Ship Wt lb Per Each
Galvanized	Plastisol Coated	Extension from Rack Face	Steel Size Gauge		
1231	C2030084	6	9	400	1.64
1232	C2030085	10½	7	200	3.08/3.40
1233	C2030086	15	7	200	5.50/6.20



Insulator No 1121

RACKING

# Underground Cable Racking

## H-SLOT TYPE

- Manufactured of 3" structural steel channel.
- Accommodates from 1 to 7 supports spaced on 4½" centers.
- Offset lower mounting tab allows racks to be joined for additional length.

Racks				
Catalog Number	Number of Support Holes	Dimensions Inches		Approx Ship Wt lb Per Each
		Overall Length	Mounting Hole Spacing	
DU13B1 <sup>(1)</sup>	1	8¼	6½	2.16
DU13B3 <sup>(1)</sup>	3	17¼	15½	5.70
DU13B5 <sup>(1)</sup>	5	26¼	24½	8.00
DU13B7 <sup>(1)</sup>	7	35¼	33½	10.50

(1) ANSI/NEMA standard.

- Available in four lengths to accommodate from 1 to 4 insulators.
- Compatible insulators are DE3U1, DE6U1, and DE12U series; order separately.

Support Hooks				
Catalog Number	Length Inches	Accommodates Number of Insulators	ANSI/NEMA Load Rating lb	Approx Ship Wt lb Per Each
DU3S1 <sup>(1)</sup>	6¼	1	400	0.94
DU3S2 <sup>(1)</sup>	11¾	2	400	1.60
DU3S3 <sup>(1)</sup>	17¼	3	200	2.52
DU3S4 <sup>(1)</sup>	22¾	4	—	4.00

(1) ANSI/NEMA standard.



DU13B Series



DU3S Series

# Underground Cable Racking

## NOB-LOC TYPE

- Manufactured from  $\frac{3}{8}$ " x  $1\frac{3}{4}$ " steel.
- Can accommodate from 1 to 13 supports.
- Nob-Loc type supports are interchangeable on DU1B Series racks.
- Order support hooks separately.

### Racking

Catalog Number	Number of Support Holes	Dimensions Inches			Approx Ship Wt lb Per Each
		A	B	C	
DU1B1 <sup>(1)</sup>	1	14 $\frac{3}{4}$	13	—	2.80
DU1B3	3	28 $\frac{3}{4}$	27	7	5.20
DU1B4	4	35 $\frac{3}{4}$	34	7	6.60
DU1B10 <sup>(1)</sup>	11	34 $\frac{7}{8}$	33 $\frac{7}{8}$	2	6.00
DU1B28 <sup>(1)</sup>	5	28 $\frac{3}{4}$	27	3 $\frac{1}{2}$	5.20
DU1B29 <sup>(1)</sup>	9	42 $\frac{3}{4}$	41	3 $\frac{1}{2}$	7.60
DU1B30 <sup>(1)</sup>	13	56 $\frac{3}{4}$	55	3 $\frac{1}{2}$	10.00

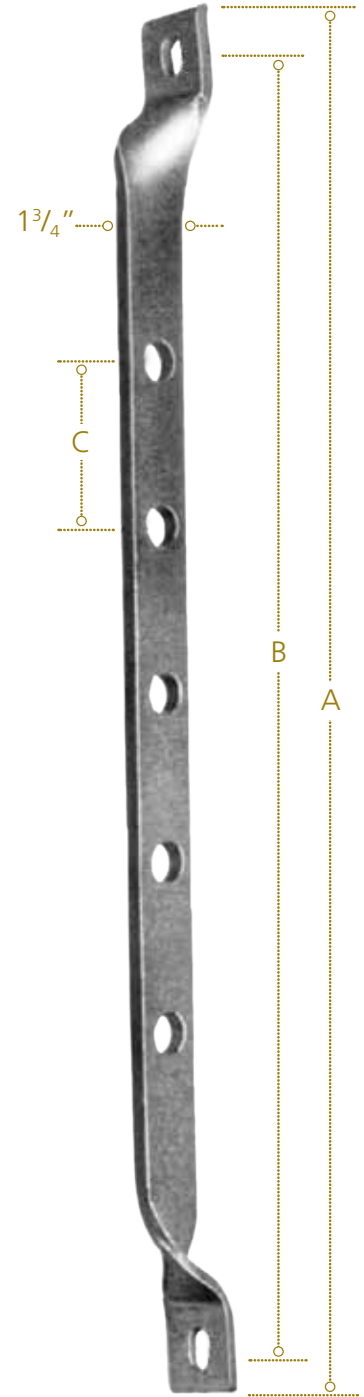
(1) ANSI/NEMA standard.

**NOTE:** Use DE3U1 or DE6U1 insulators; order separately.

### Support Hooks

Catalog Number	Length Inches	Accommodates Number of Insulators	Approx Ship Wt lb Per Each
DU1S1 <sup>(1)</sup>	3 $\frac{7}{8}$	1	1.36
DU1S2 <sup>(1)</sup>	7 $\frac{7}{8}$	2	2.20
DU1S3 <sup>(1)</sup>	11 $\frac{7}{8}$	3	2.96
DU1S4 <sup>(1)</sup>	14 $\frac{7}{8}$	4	3.60

(1) ANSI/NEMA standard.



**DU1B Series**

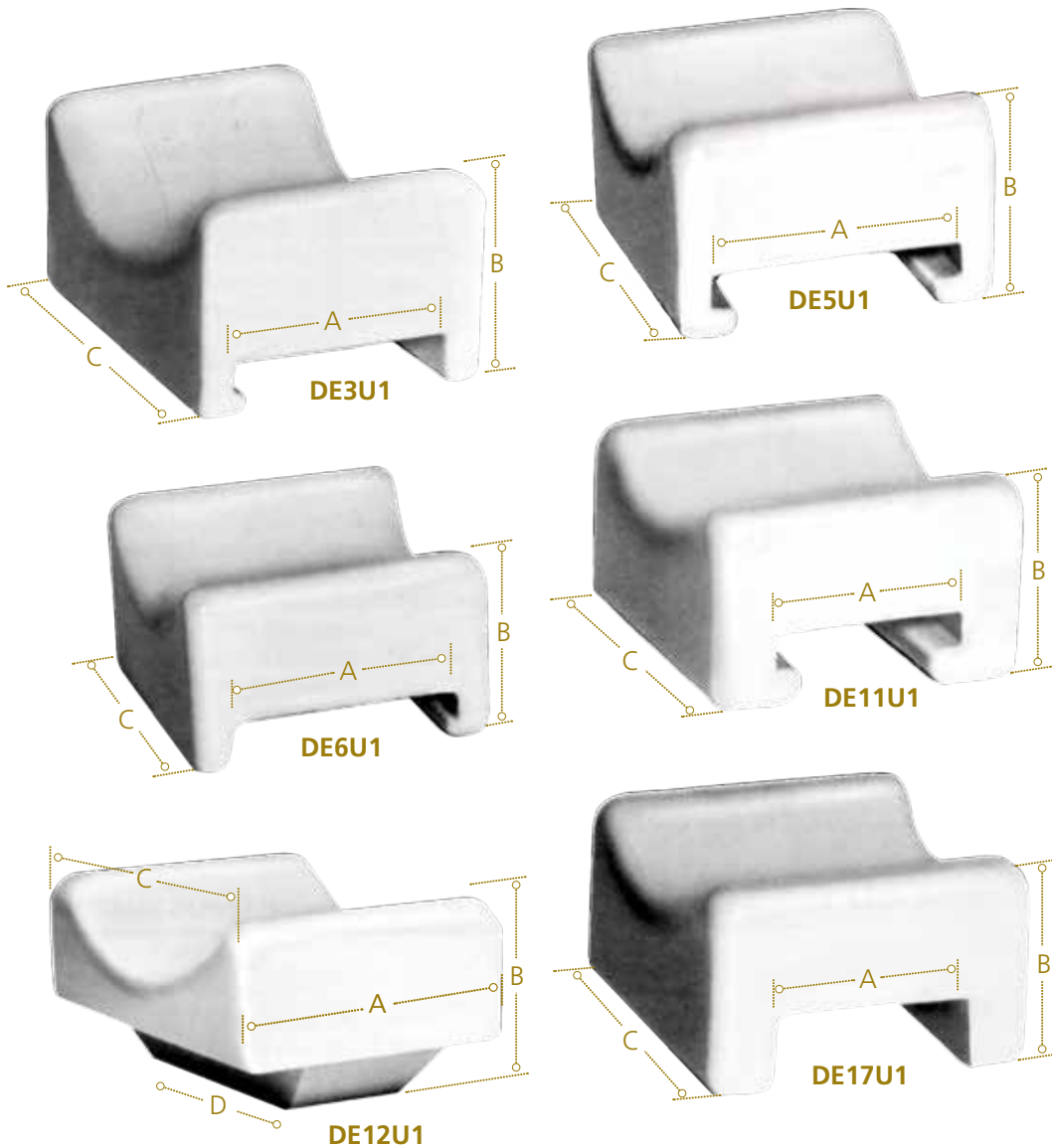
RACKING

# Underground Cable Racking

## CABLE SUPPORT INSULATORS

High-grade electrical porcelain insulators with rounded corners and edges prevent cable-sheath damage.

RACKING



Catalog Number	Dimensions Inches					Accommodates Support (Catalog Number Series)	Approx Ship Wt lb Per Each
	A	B	C	D	Groove Radius		
DE3U1	2 $\frac{1}{16}$	2 $\frac{1}{16}$	4	—	2 $\frac{1}{16}$	DU1S, DU3S	1.12
DE5U1	2 $\frac{1}{16}$	1 $\frac{3}{4}$	3	—	1 $\frac{1}{16}$	DU3S	0.76
DE6U1	2 $\frac{1}{16}$	1 $\frac{3}{4}$	3	—	1 $\frac{3}{4}$	DU1S, DU3S	0.74
DE11U1	1 $\frac{5}{8}$	11 $\frac{1}{16}$	2 $\frac{3}{4}$	—	1 $\frac{1}{2}$	DU5S	0.78
DE12U1	2 $\frac{1}{2}$	1 $\frac{5}{8}$	3 $\frac{1}{4}$	1 $\frac{3}{8}$	1 $\frac{3}{4}$	DU3S, DU9S	0.70



Hubbell Power Systems  
210 N. Allen  
Centralia, MO 65240 USA

Catalog CA12001E

©Copyright 2013 Hubbell Incorporated

**HUBBELL**<sup>®</sup>  
Power Systems

*NEVER COMPROMISE*<sup>™</sup>  
[hubbellpowersystems.com](http://hubbellpowersystems.com)

