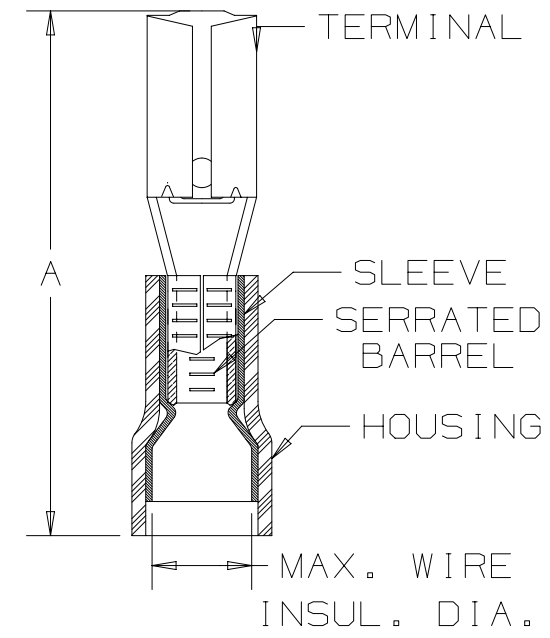
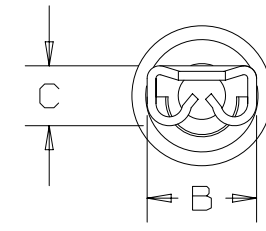


THIS COPY IS PROVIDED ON A RESTRICTED BASIS AND IS NOT TO BE USED IN ANY WAY DETRIMENTAL TO THE INTERESTS OF PANDUIT CORP.

PANDUIT PART #	TAB SIZE	WIRE RANGE AWG / mm ²	MAX WIRE INSUL. DIA.	DIMENSIONS - in [mm]		
				A ± .03 [0,8]	B ± .01 [0,3]	C ± .01 [0,3]
DNF18-110	.110 X .032 [2,8 X 0,8]	22-18 [0,5-1,0]	.100 [2,54]	.69 [17,5]	.15 [3,8]	.08 [2,0]
DNF18-111	.110 X .020 [2,8 X 0,5]	22-18 [0,5-1,0]	.100 [2,54]	.69 [17,5]	.15 [3,8]	.07 [1,8]

UL & CSA TOOLS (DIES)
CT-520
CT-1525 (A POCKET)
CT-2500 (CT-2525CH: A PKT)

PANDUIT APPROVED TOOLS
CT-100A
CT-600-A



NOTES:

- UL LISTED AND CSA CERTIFIED FOR:
 - A. #22-18 AWG STRANDED COPPER WIRE ONLY
 - B. 194°F [90°C] MAX. OPERATING TEMPERATURE
 - C. 300V MAX VOLTAGE RATING
- MATERIAL:
 - A. STAMPING: .010" [0,25mm] THK BRASS, TIN PLATED
 - B. HOUSING: NYLON, RED
 - C. SLEEVE: BRASS, TIN PLATED
- SEE www.panduit.com FOR PACKAGE QUANTITIES
- INSERTION/WITHDRAWAL FORCES:
 - A. 1ST INSERTION MAX: 12 lbs. [53 N]
 - B. 1ST WITHDRAWAL MAX: 14 lbs. [62 N]
 - C. 1ST WITHDRAWAL MIN: 2 lbs. [9 N]
- DIMENSIONS IN BRACKETS ARE METRIC EQUIVALENT
- WIRE STRIP LENGTH: 9/32" ^{+1/32}₋₀ [7,1mm ^{+0,8}₋₀]



TITLE		#22-18 BARREL NYLON INSULATED FEMALE DISCONNECT, FUNNEL WIRE ENTRY		
ITEM REVISION NAME		CUSTOMER DRAWING		
DATASET FILE NAME		N41308BA/08		
UNLESS OTHERWISE SPECIFIED, DIMENSIONAL TOLERANCES ARE: IN [mm]		MATERIAL:		
.x ± .1 [2.54] .xxx ± .005 [.127]		SEE NOTES		
.xx ± .01 [.25] ANGLES ± 5°		DRAWING NUMBER:		
THIRD ANGLE PROJECTION		A41308		
DRAWN BY	DATE	CHK	SCALE	SIZE
DAW	1/92		NONE	A

REV	DATE	BY	CHK	APR	DESCRIPTION	ECN
08	5/17	JHNU	TMR	RGB	ADDED A POCKET TO CT-1525, CT-2500, REVISED FORMAT, I/W FORCES	A41308
07	8/11	SHOR	LCA	LCA	ADDED INSTALLATION TOOLS	
06	7/11	SB	LCA	LCA	ADDED NOTE REGARDING PACKAGING QUANTITIES	
05	7/03	KLFU	LCA	LCA	UPDATED DRAWING	

D10100DA/20