



Product Datasheet

CHANCE

19788 -- BOLT, DA EYE, 5/8" X 18"



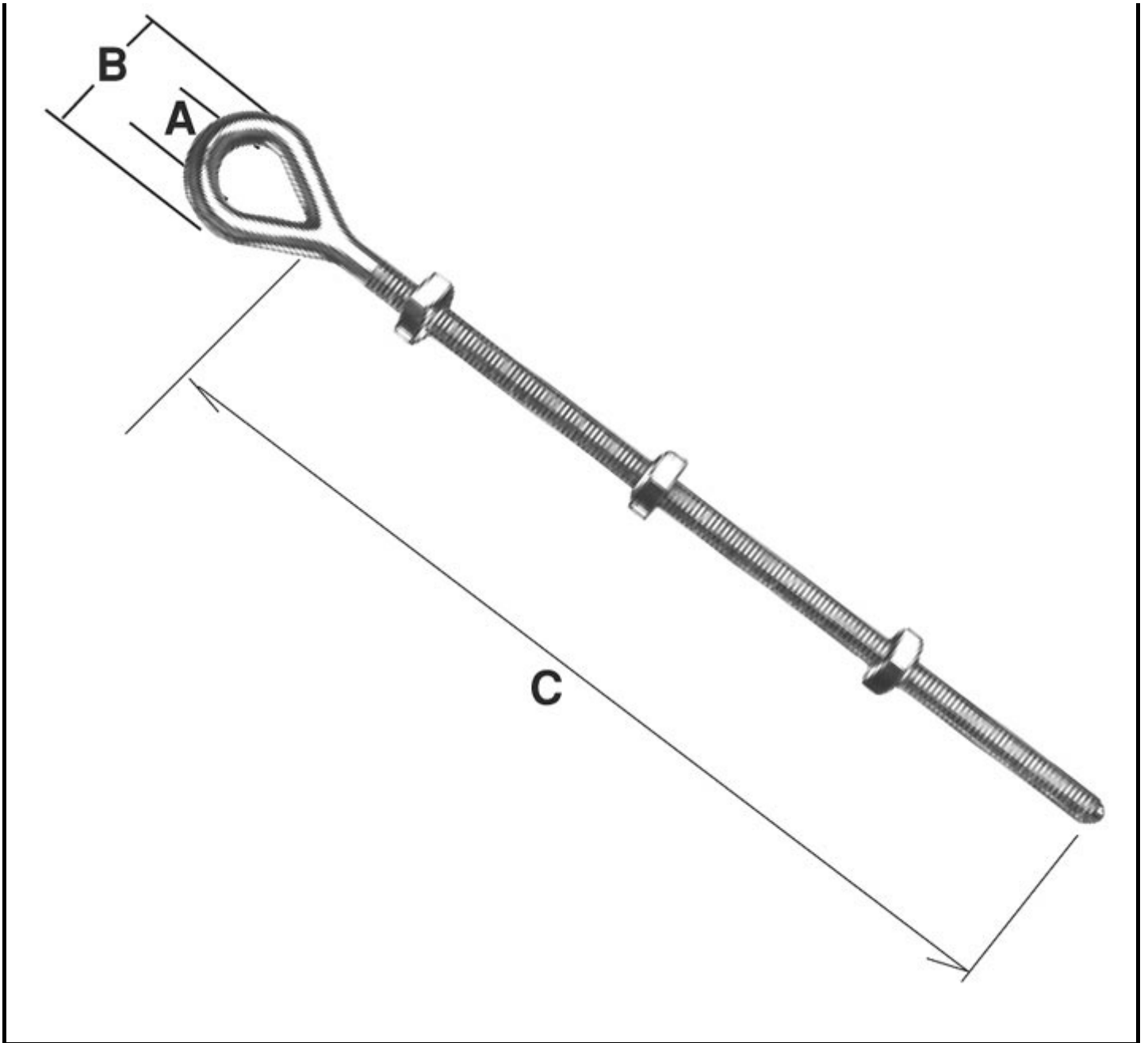
5/8" diameter X 18" long Double Arming Eye bolts have a cone type point and are threaded to within 2" of the 1 1/2"x 2" eye. Bolt has 12,400 pound rated tensile strength. Three Square Nuts. Drop-forged steel. Hot dip galvanized. RUS Listed

Product Specifications

Product Categories	Fasteners
Product Group	Bolt
Product Type	Double Arming Eye
Diameter	5/8" (15.9 mm)
Length	18" (457 mm)
Product Finish	Galvanized, ASTM A-153
Material	Steel
Details	(3) Square Nuts
Dimension A	1 1/2" (38.1 mm)
Dimension B	2-5/8" (66.7 mm)
Product Size	1 1/2" x 2" Eye
Rated Tensile Strength	12,400 Lbs. (55.2 kN)
RUS Listed	dy - Bolt, eye, double arming
Return Type	Standard
UPC Code	096359068990
Standard Package	25
Unit of Measure	EA
Min Order Qty	25
Pallet Quantity	1000
Weight / Ea.	2.27 lbs
Webpage	Click HERE to view webpage
Drawing	Click HERE to view drawing.
Previous Cooper Power Systems No.	DF4E18 (Equal)

Compressed Product Number

19788



Catalog Home



[Warranty Info](#) | [Trademarks](#) | [Terms of Use](#)

All contents Copyright © 2007 Hubbell Power Systems, Inc. All rights reserved.

NOTE: Because Hubbell has a policy of continuous product improvement, we reserve the right to change design and specifications without notice.