



**Product Datasheet**

**CHANCE**

**19792 -- BOLT, DA EYE, 5/8" X 22"**



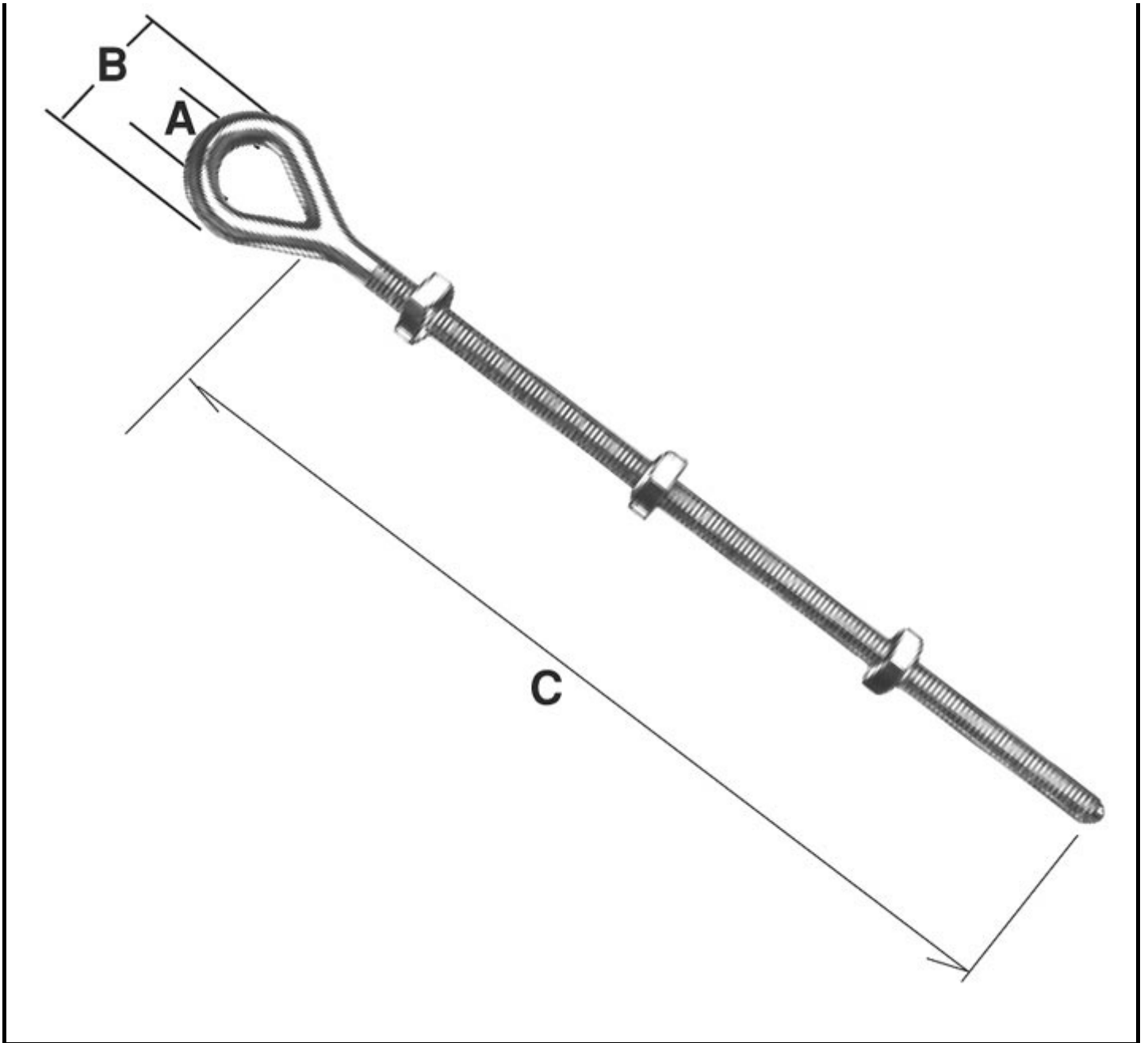
5/8" diameter X 22" long Double Arming Eye bolts have a cone type point and are threaded to within 2" of the 1 1/2"x 2" eye. Bolt has 12,400 pound rated tensile strength. Three Square Nuts. Drop-forged steel. Hot dip galvanized. RUS Listed

**Product Specifications**

<b>Product Categories</b>	Fasteners
<b>Product Group</b>	Bolt
<b>Product Type</b>	Double Arming Eye
<b>Diameter</b>	5/8" (15.9 mm)
<b>Length</b>	22" (559 mm)
<b>Product Finish</b>	Galvanized, ASTM A-153
<b>Material</b>	Steel
<b>Details</b>	(3) Square Nuts
<b>Dimension A</b>	1 1/2" (38.1 mm)
<b>Dimension B</b>	2-5/8" (66.7 mm)
<b>Product Size</b>	1 1/2" x 2" Eye
<b>Rated Tensile Strength</b>	12,400 Lbs. (55.2 kN)
<b>RUS Listed</b>	dy - Bolt, eye, double arming
<b>Return Type</b>	Non-Standard
<b>UPC Code</b>	096359069010
<b>Standard Package</b>	25
<b>Unit of Measure</b>	EA
<b>Min Order Qty</b>	25
<b>Pallet Quantity</b>	750
<b>Weight / Ea.</b>	2.35 lbs
<b>Webpage</b>	Click <a href="#">HERE</a> to view webpage
<b>Drawing</b>	Click <a href="#">HERE</a> to view drawing.
<b>Previous Cooper Power Systems No.</b>	DF4E22 (Equal)

**Compressed Product Number**

19792



Catalog Home



[Warranty Info](#) | [Trademarks](#) | [Terms of Use](#)

*All contents Copyright © 2007 Hubbell Power Systems, Inc. All rights reserved.*

NOTE: Because Hubbell has a policy of continuous product improvement, we reserve the right to change design and specifications without notice.