

# POLE LINE HARDWARE

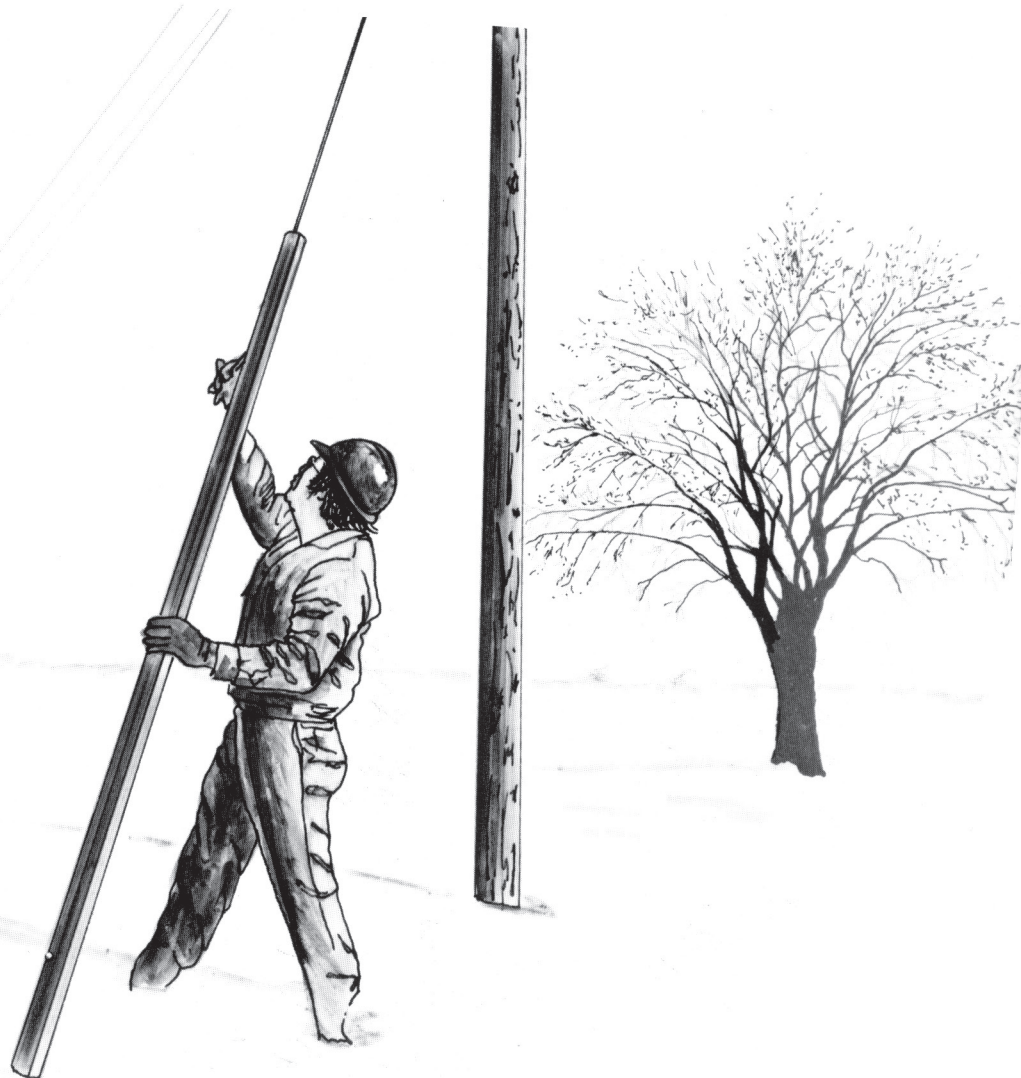
## Warranty - Material

Hubbell Power Systems, Inc. warrants all products sold by it to be merchantable (as such term is defined in the Uniform Commercial Code) and to be free from defects in material and workmanship. Buyer must notify the Company promptly of any claim under this warranty. The Buyer's exclusive remedy for breach of this warranty shall be the repair or replacement, F.O.B. factory, at the Company's option, of any product defective under the warranty which is returned to the Company within one year from the date of shipment. NO OTHER WARRANTY, WHETHER EXPRESS OR ARISING BY OPERATION OF LAW, COURSE OF DEALING, USAGE OF TRADE OR OTHERWISE IMPLIED, SHALL EXIST IN CONNECTION WITH THE COMPANY'S PRODUCTS OR ANY SALE OR USE THEREOF. The Company shall in no event be liable for any loss of profits or any consequential or special damages incurred by Buyer. The Company's warranty shall run only to the first Buyer of a product from the Company, from the Company's distributor, or from an original equipment manufacturer reselling the Company's product, and is non-assignable and non-transferable and shall be of no force and effect if asserted by any person other than such first Buyer. This warranty applies only to the use of the product as intended by Seller and does not cover any misapplication or misuse of said product.

## Warranty - Application

Hubbell Power Systems, Inc. does not warrant the accuracy of and results from product or system performance recommendations resulting from any engineering analysis or study. This applies regardless of whether a charge is made for the recommendation, or if it is provided free of charge.

Responsibility for selection of the proper product or application rests solely with the purchaser. In the event of errors or inaccuracies determined to be caused by Hubbell Power Systems, Inc., its liability will be limited to the re-performance of any such analysis or study.



**NOTICE: For latest revision of our Catalog and Literature, please visit our web site: [www.hubbellpowersystems.com](http://www.hubbellpowersystems.com)**

NOTE: Because Hubbell has a policy of continuous product improvement, we reserve the right to change design and specifications without notice.

©Copyright 2017 Hubbell Incorporated • 210 North Allen Street • Centralia, MO 65240 USA  
[www.hubbellpowersystems.com](http://www.hubbellpowersystems.com)

E-mail: [hpsliterature@hubbell.com](mailto:hpsliterature@hubbell.com)

**HUBBELL®**  
Power Systems

Printed in USA

CHANCE – CENTRALIA, MISSOURI  
MARCH 2017

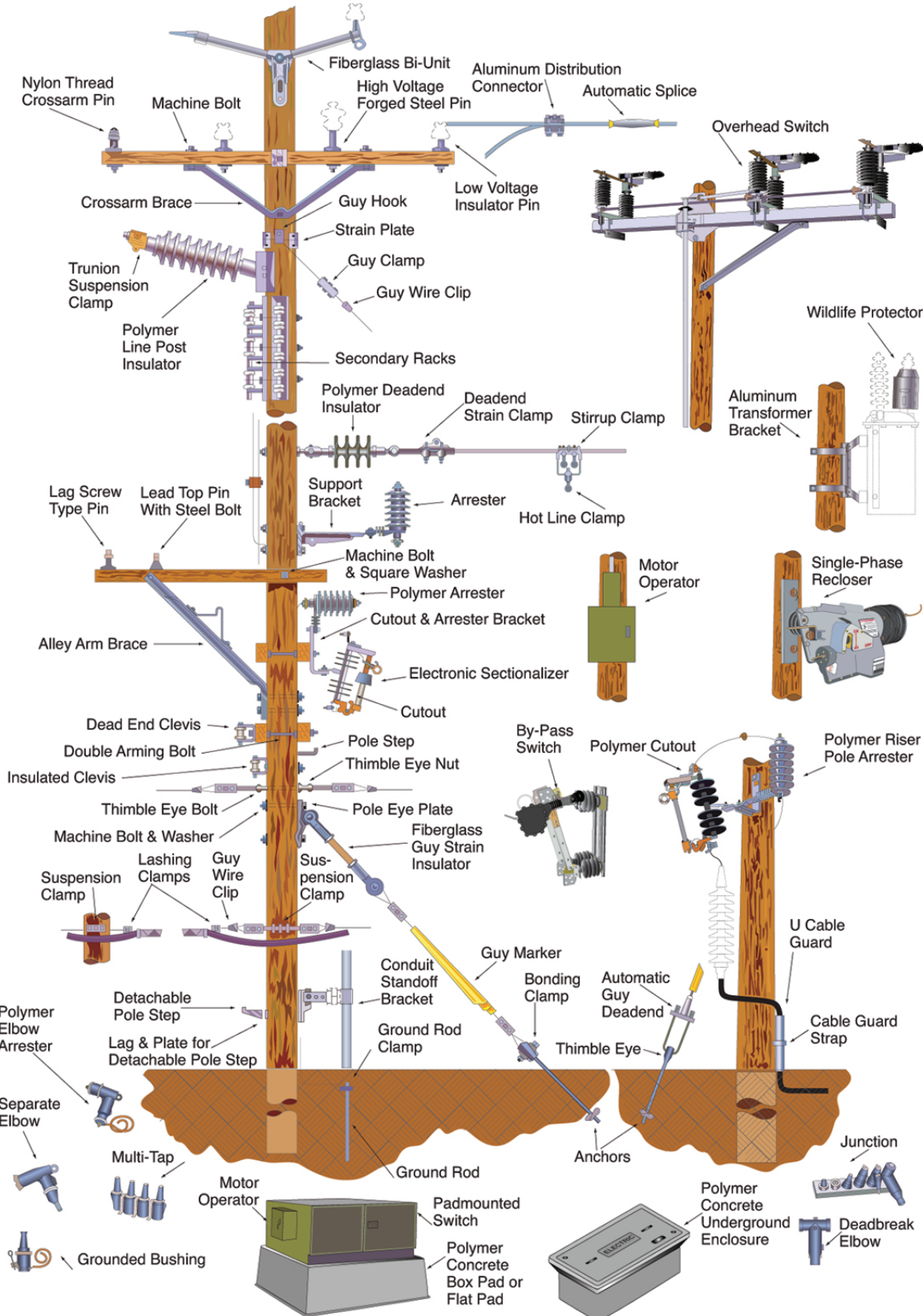
**NOTE:**

Where applicable, pole line hardware manufactured by Hubbell Power Systems, Inc. is made from steel produced in accordance with ASTM A575 and/or ASTM A576. Where galvanized, items are galvanized in accordance with ASTM A153.

Where appropriate, these pole line hardware items meet or exceed the following ANSI/NEMA specifications:

ANSI	NEMA
C135.4	PH1
C135.1	PH10
C135.2	PH38
C135.22	PH20
C135.14	PH25
C135.17	
C135.7	
C135.5	

Refer to this Catalog Section 5 or call your Hubbell representative for conformance of particular items to the above specifications.

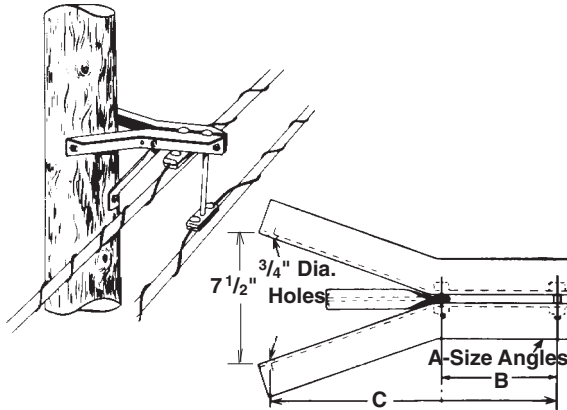



**No. 4257**

## ADAPTER, THIMBLE

Used to change 1-inch pin insulator thread to 1<sup>3</sup>/<sub>8</sub>-inch pin insulator thread.

Catalog No.	Dimensions in Inches			Approx. Ship Weight, Lbs. Per 100 Pcs.
	Exterior Thread Dia.	Interior Thread Dia.	Overall Length	
4257	1 <sup>3</sup> / <sub>8</sub> inch	1 inch	2 <sup>1</sup> / <sub>4</sub>	63



## ARMS, CABLE EXTENSION

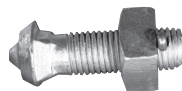
For suspending cables at a distance from the pole, a No. 7903 Cable Suspension Clamp is usually used under the arm (See page 5-21), attached through the center slot to a <sup>5</sup>/<sub>8</sub>" machine bolt with a washer under the bolt head. Cable extension from the pole is 23" for No. 7920, 41" for No. 7921. Cable clamp with attachment bolt and pole mounting bolts, or lag screws, must be ordered separately. Hot dip galvanized.

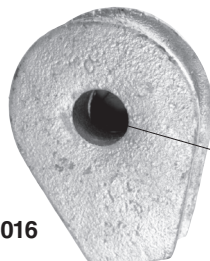

**No. 7920**

Catalog No.	Dimensions in Inches			Approx. Ship Weight, Lbs. Per 100 Pcs.
	A — Angle Size	B	C	
7920	3 x 2 <sup>1</sup> / <sub>2</sub> x <sup>1</sup> / <sub>4</sub>	8 <sup>1</sup> / <sub>2</sub>	26	2900
7921	3 <sup>1</sup> / <sub>2</sub> x 2 <sup>1</sup> / <sub>2</sub> x <sup>5</sup> / <sub>16</sub>	18 <sup>3</sup> / <sub>4</sub>	44 <sup>1</sup> / <sub>2</sub>	6200

## BANDS, POLE, ACCESSORIES

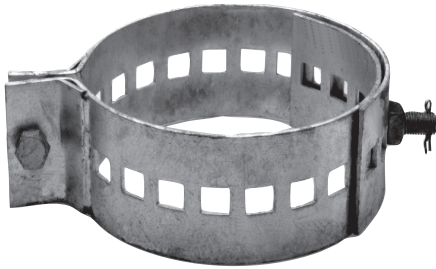
For use with No. 6276 and No. 6277 Pole Bands (See next page). Deadend clevis has <sup>13</sup>/<sub>16</sub>" hole to match rectangular holes in bands, and is attached with cone head bolt. Guy clips made in two pieces: top, <sup>5</sup>/<sub>16</sub>" x 2<sup>1</sup>/<sub>2</sub>" steel; bottom, <sup>3</sup>/<sub>16</sub>" x 2<sup>1</sup>/<sub>2</sub>" steel. A <sup>3</sup>/<sub>4</sub>" x 2<sup>1</sup>/<sub>2</sub>" machine bolt with cotter pin fastens thimble. Guy clip also includes one No. 6280 conehead bolt which has square shoulder. Sheave can be used with C2030183 on page 5-4.


**No. PS6280**

**No. 6278**

**P451016**

.81" dia.

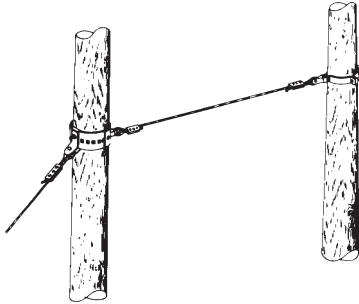
Catalog No.	Description	Steel Size Inches — A	Approx. Ship Wt. Lbs. Per 100 Pcs.
6278	Guy Clip	See above	580
PS6280	Cone Head Bolt	<sup>3</sup> / <sub>4</sub> x 2 <sup>1</sup> / <sub>2</sub>	50
451016P	Sheave for Guy Clip		245



No. 6277

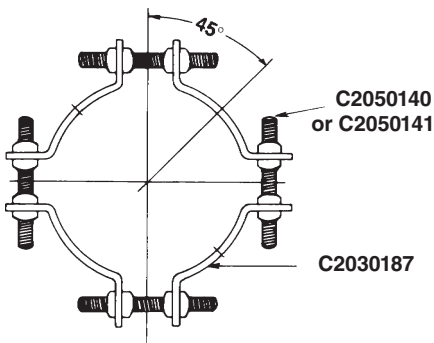
## BANDS, POLE, ADJUSTABLE Heavy Style

These are  $\frac{3}{16}$ " x 4" flat steel bands, shipped assembled with one  $\frac{3}{4}$ " x 4" curved bolt and one  $\frac{3}{4}$ " x 2 $\frac{1}{2}$ " cone head bolt. Hot dip galvanized. Extra cone head bolts, for attaching deadend clevises and guy clips, must be ordered separately. (See Accessories on page 5-3). One to eight attachments can be made from each pole band.



Catalog No.	Description	Approx. Ship Wt. Lbs. Per 100 Pieces
† 6276	Band, 6" - 10"	950
† 6277	Band, 8" - 14"	1150

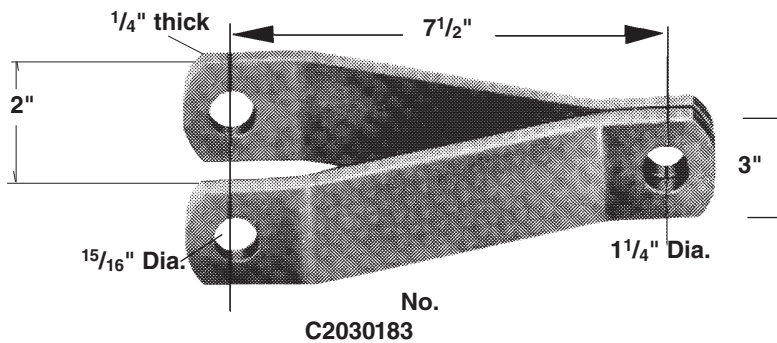
†RUS Listed



## BANDS, POLE, ADJUSTABLE

Use steel Pole Bands on wood poles. Take-offs for guy and insulation attachments can be made by using connecting links (see below). Bands are shipped unassembled.

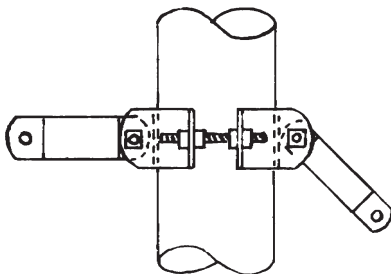
Cat. No. (Complete Assembly)	Type	Pole Dia.	Size Stud	Lag Hole Size	Size Steel	Approx. Ship Wt. Per 100 Pcs.	C2031087	C2031088	C2030140	C2030141
C2030194	4 Way, 90°	6" - 11 $\frac{1}{2}$ "	$\frac{3}{4}$ x 6"	$\frac{9}{16}$ "	$\frac{1}{4}$ x 4"	1560	4 Pcs.		4 Pcs.	
C2030197	4 Way, 90°	9 $\frac{1}{2}$ " - 14"	$\frac{3}{4}$ x 6"	$\frac{9}{16}$ "	$\frac{1}{4}$ x 4"	2360		4 Pcs.	4 Pcs.	
C2030200	4 Way, 90°	9 $\frac{1}{2}$ " - 16"	$\frac{3}{4}$ x 8"	$\frac{9}{16}$ "	$\frac{1}{4}$ x 4"	2820		4 Pcs.		4 Pcs.



No. C2030183

## BANDS, POLE, CONNECTING LINKS

Designed for use with 4-Way Adjustable Pole Bands, above. For insulator or guy attachments. C2030183 has  $\frac{1}{4}$ " diameter hole on one end and  $\frac{15}{16}$ " holes on the other end.



Catalog No. (Per Pair)	Steel Size Inches	Length, Inches (Center Hole to Center Hole)	Approx. Ship Wt. Lbs. Per 100 Pieces
C2030183	$\frac{1}{4}$ x 3	7 $\frac{1}{2}$	360

## BANDS, POLE, SECONDARY RACK

For attaching secondary racks to tubular metal poles. Bands are equipped with  $\frac{5}{8}$ " x 2" carriage bolts for attaching the racks, and  $\frac{1}{2}$ " x  $1\frac{5}{8}$ " oval-shoulder clamp bolts for tightening bands on pole. Hot dip galvanized  $\frac{1}{4}$ " x  $1\frac{1}{2}$ " steel. Made in two styles, the single type for attaching one rack and the double type for two racks.

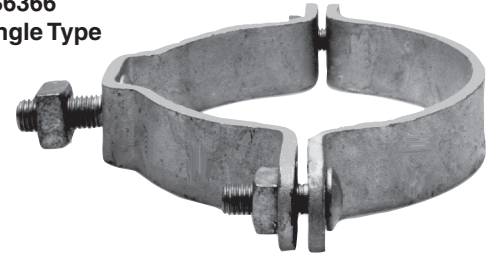
### Single Type

Cat. No.	Dim. in Inches		Approx. Ship Wt. Lbs. Per 100 Pcs.
	Pole O.D.		
636412	5		304
PS6366	$6\frac{5}{8}$		368
PS6367	$7\frac{5}{8}$		406
PS6368	$8\frac{5}{8}$		480

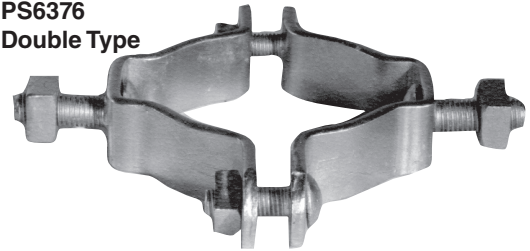
### Double Type

Cat. No.	Dim. in Inches		Approx. Ship Wt. Lbs. Per 100 Pcs.
	Pole O.D.		
637412	5		388
PS6376	$6\frac{5}{8}$		380
PS6377	$7\frac{5}{8}$		475
PS6378	$8\frac{5}{8}$		524

PS6366  
Single Type



PS6376  
Double Type



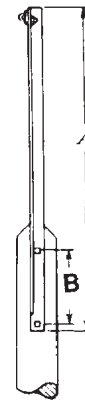
## BAYONETS, GROUND WIRE (Supports, Shield Wire)

For supporting overhead ground wire on wood or steel poles. Bayonets have an  $\frac{11}{16}$ " hole and an  $\frac{11}{16}$ " pole-mounting slot to allow for inaccuracy in boring holes. Holes at top of bayonet allow use of No. 5450 ground-wire clamps (Not included. See page 5-20). Bolts used to fasten corner bayonets together are included. Pole-mounting bolts and ground-wire clamps are not included. Hot dip galvanized.

Catalog No.	Dimensions in Inches			Approx. Ship Wt. Lbs. Per 100 Pieces
	A	B	Angle Size	

### Straight Bayonets

5436	36	10	2 x 2 x $\frac{1}{4}$	940
5466	66	15	2 $\frac{1}{2}$ x 2 $\frac{1}{2}$ x $\frac{1}{4}$	2200
PS5484	84	20	3 x 3 x $\frac{1}{4}$	3430



5466

## BOLTS, CARRIAGE

Carriage Bolts have square nuts, finished points and rolled threads. Standard heads have square shoulders. Open-hearth steel. Hot dip galvanized.

Cat. No.	Dim. in Inches		Approx. Ship Wt. Lbs. Per 100 Pcs.
	Bolt Length	Thread Length	
<b><math>\frac{3}{8}</math>-Inch Diameter</b>			
†*8634	4	$1\frac{3}{4}$	15.6
†*863412	4 $\frac{1}{2}$	$1\frac{3}{4}$	17
†*8635	5	$1\frac{3}{4}$	17.6
†8636	6	$1\frac{3}{4}$	21.6
8637	7	$1\frac{3}{4}$	22

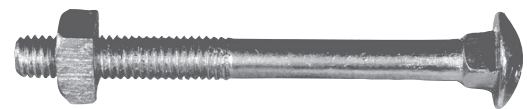
4,250 Pound Rated Tensile Strength

\*NEMA Standard

†RUS Listed

Cat. No.	Dim. in Inches		Approx. Ship Wt. Lbs. Per 100 Pcs.
	Bolt Length	Thread Length	
<b><math>\frac{1}{2}</math>-Inch Diameter</b>			
†*8645	5	3	31
†864512	5 $\frac{1}{2}$	3	37.5
†*8646	6	3	38
8647	7	4	44

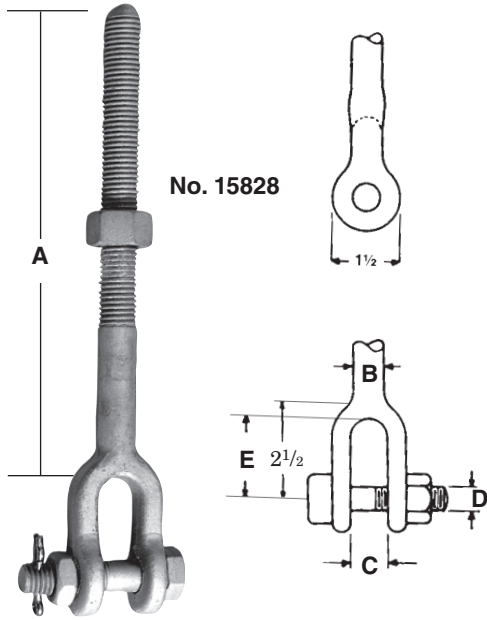
7,800 Pound Rated Tensile Strength



No. 8634

## BOLTS, CLEVIS

For supporting crossarm suspension insulator strings. Cotter bolt is 2<sup>3</sup>/<sub>4</sub>" long and comes with cotter pin and hex nut. Clevis Bolts are drop-forged steel. Hot dip galvanized.



No. 15828

Catalog No.	Dimensions in Inches					Thread Length	Approx. Ship Wt. Lbs. Per 100 Pcs.
	A	B	C	D	E		
†15808	8	5/8	13/16	1/2	1 <sup>13</sup> / <sub>16</sub>	6	150
†15810	10	5/8	13/16	1/2	1 <sup>13</sup> / <sub>16</sub>	6	199
†15812	12	5/8	13/16	1/2	1 <sup>13</sup> / <sub>16</sub>	6	217
†15814	14	5/8	13/16	1/2	1 <sup>13</sup> / <sub>16</sub>	6	220
†15828	8	3/4	13/16	5/8	1 <sup>13</sup> / <sub>16</sub>	6	200
†15830	10	3/4	13/16	5/8	1 <sup>13</sup> / <sub>16</sub>	6	257
†15832	12	3/4	13/16	5/8	1 <sup>13</sup> / <sub>16</sub>	6	280
†15834	14	3/4	13/16	5/8	1 <sup>13</sup> / <sub>16</sub>	6	304

†RUS Listed

5/8" Bolt has 12,400 Pound Rated Tensile Strength

3/4" Bolt has 18,350 Pound Rated Tensile Strength

## BOLTS, DOUBLE-ARMING EYE

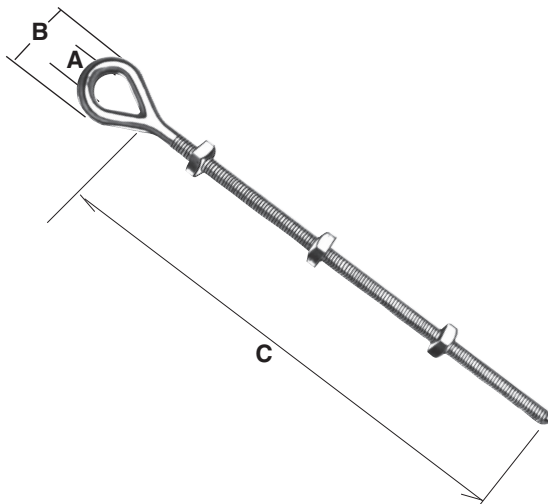
Bolts have a cone type point and are threaded to within 2" of the 1<sup>1</sup>/<sub>2</sub>" x 2" eye. Three Square Nuts. Drop-forged steel. Hot dip galvanized.

### 5/8-Inch Diameter

Catalog No.	Inside Dim. A	Outside Dim. B	Length Under Eye C (Inches)	Approx. Ship Wt. Lbs. Per 100 Pcs.
†19784	1 1/2	2 5/8	14	196
†19786	1 1/2	2 5/8	16	220
†19788	1 1/2	2 5/8	18	232
†19790	1 1/2	2 5/8	20	256
†19792	1 1/2	2 5/8	22	260

12,400 Pound Rated Tensile Strength

†RUS Listed



**NOTE: For ALL sizes now available, see Supplemental Catalog Bulletin 5-53.24 through 5-53.28 dated December 2008.**

## BOLTS, DOUBLE-ARMING FULL THREAD

Bolts permit replacement ease in double arms and offer added flexibility of use. Cone type point for easy starting and driving-out without damage to threads. Each bolt provided with four square nuts. Hot dip galvanized steel.

Catalog No.	Length, Inches	Approx. Ship Wt. Lbs. Per 100 Pcs
8846	16	117

Catalog No.	Length, Inches	Approx. Ship Wt. Lbs. Per 100 Pcs
8848	18	125

### 1/2-Inch Shank Diameter

5/8-Inch Diameter		
†*8862	12	126
†*8864	14	156
†*8866	16	176
†*8868	18	196
†*8870	20	204
†*8872	22	220
†*8874	24	240
8876	26	256
8877	28	268
8878	30	270
8879	32	280

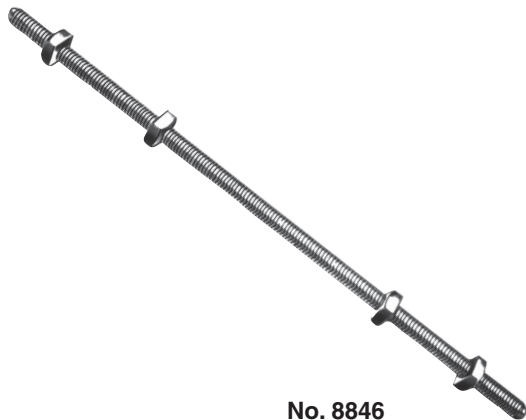
3/4-Inch Diameter		
C2050140	6	128
C2050141	8	150
*8882	12	234
*8884	14	240
*8886	16	248
*8888	18	272
†*8890	20	292
†*8892	22	316
†*8894	24	328
8896	26	365

18,350 Pound Rated Tensile Strength

12,400 Pound Rated Tensile Strength

\*ANSI Standard

†RUS Listed



No. 8846

## BOLTS, MACHINE

Are also called crossarm bolts or through bolts. Bolts have rolled threads and one square nut. Bolts six inches or longer have cone-type points. Hot dip galvanized.

**NOTE: For ALL sizes now available, see Supplemental Catalog Bulletin 5-53.24 through 5-53.28 dated December 2008.**

Cat. No.	Dim. in Inches		Approx. Ship Wt. Lbs. Per 100 Pcs.
	Bolt Length	Thread Length	

Cat. No.	Dim. in Inches		Approx. Ship Wt. Lbs. Per 100 Pcs.
	Bolt Length	Thread Length	

### 3/8-Inch Diameter

8604	4	3	15
860412	4 1/2	3	17.2

*8605	5	3	18.8
860512	5 1/2	3	19.6

4,250 Pound Rated Tensile Strength

### 1/2-Inch Diameter

870112	1 1/2	1 1/4	17.6
*870412	4 1/2	3	33
*8705	5	3	35
†*8706	6	3	39
†8707	7	3	48

†*8708	8	4	49
†8709	9	4	57
†*8710	10	4	60
*8712	12	6	71
8714	14	6	73

7,800 Pound Rated Tensile Strength

### 5/8-Inch Diameter

8805	5	3	60
†*8806	6	3	69
†8807	7	4	75
†*8808	8	4	78
†8809	9	4	84
†*8810	10	6	99
†*8812	12	6	112

†*8814	14	6	126
†*8816	16	6	134
†*8818	18	6	149
†*8820	20	6	164
†8822	22	6	176
†8824	24	6	194

12,400 Pound Rated Tensile Strength

### 3/4-Inch Diameter

†*8908	8	4	126
†*8910	10	6	154
†*8912	12	6	166
†*8914	14	6	188
†*8916	16	6	225

†*8918	18	6	232
†8920	20	6	252
†8922	22	6	268
†8924	24	6	304
†8926	26	6	308

18,350 Pound Rated Tensile Strength

### 7/8-Inch Diameter

†*C2050254	14	6	284
†*C2050256	18	6	352
†C2050258	22	6	425

†*C2050255	16	6	316
†C2050257	20	6	390

25,400 Pound Rated Tensile Strength

\*ANSI Standard  
†RUS Listed



No. 8810



No. 860512

## BOLTS, OVALEYE

Bolts with 5/8" and 3/4" shanks have 1 1/2" x 2" ovaeyes. Drop-forged, galvanized steel bolts have cone type points and rolled threads.

Catalog No.	Length Under Eye Inches	Thread Length Inches	Approx. Ship Wt. Lbs. Per 100 Pcs.
-------------	-------------------------	----------------------	------------------------------------

Catalog No.	Length Under Eye Inches	Thread Length Inches	Approx. Ship Wt. Lbs. Per 100 Pcs.
-------------	-------------------------	----------------------	------------------------------------

### 1/2-Inch Shank Diameter 7/16" x 1 1/4" x 1 5/8" Ovaleye

*29939	8	4	77
--------	---	---	----

*29943	12	6	100
--------	----	---	-----

7,800 Pound Rated Tensile Strength

#### 5/8" Shank Dia — 9/16" x 1 1/2" x 2" Ovaleye

†29956	6	4	100
†*29958	8	4	104
†*29959	9	4	113
†*29960	10	6	122
†*29962	12	6	144
†*29964	14	6	146
†29966	16	6	168
†29968	18	6	208
†29970	20	6	240

#### 3/4" Shank Dia — 5/8" x 1 1/2" x 2" Ovaleye

†29978	8	4	180
†29980	10	4	200
†29982	12	6	228
†29984	14	6	248
†29986	16	6	268
†29988	18	6	314

18,350 Pound Rated Tensile Strength

\*NEMA Standard  
†RUS Listed

12,400 Pound Rated Tensile Strength

No. 29960



## BOLTS, SCREW EYE

Gimlet-point lag-screw thread. Drop-forged except 8777. Hot dip galvanized.

Catalog No.	Type	Dimensions in Inches			Approx. Ship Wt. Lbs. Per 100 Pieces
		Size of Eye	Dia.	Length Under Eye	
29930	Ovaleye	1 <sup>1</sup> / <sub>4</sub> x 1 <sup>5</sup> / <sub>8</sub>	1 <sup>1</sup> / <sub>2</sub>	6	65
C2050094	Ovaleye	1 <sup>1</sup> / <sub>4</sub> x 1 <sup>5</sup> / <sub>8</sub>	1 <sup>1</sup> / <sub>2</sub>	4	54
†8777	Hookeye	3 <sup>3</sup> / <sub>4</sub>	3 <sup>3</sup> / <sub>8</sub>	3 <sup>1</sup> / <sub>2</sub>	16

†Opening in Eye 1/4".



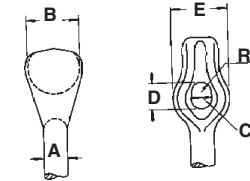
No. 29930



No. 8777



No. 5112T



Dimensions in Inches					
A	B	C	D	E	R
5/8	1 <sup>3</sup> / <sub>8</sub>	9/16	11/16	1 <sup>1</sup> / <sub>2</sub>	1/4
3/4	1 <sup>1</sup> / <sub>2</sub>	11/16	13/16	1 <sup>5</sup> / <sub>8</sub>	9/32



No. 5612

## BOLTS, THIMBLEYE<sup>®</sup>

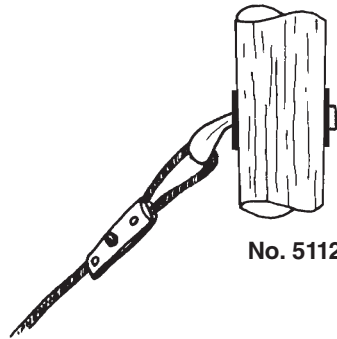
Contoured eye keeps guy strand from kinking, bending, or spreading. Drop-forged steel. Hot dip galvanized. Cone-type points. Eyes of angle bolts are offset 45 degrees.

Catalog No.	Size Inches	Thread Length Inches	Approx. Ship Wt. Lbs. per 100 Pcs.	
DG1F8	DG4F8	5/8 x 8	4	112
†*5510	*5010	5/8 x 10	4	148
†*5512	*5012	5/8 x 12	6	176
*5514	*5014	5/8 x 14	6	188
5516	5016	5/8 x 16	6	192
DG1F18	—	5/8 x 18	6	200

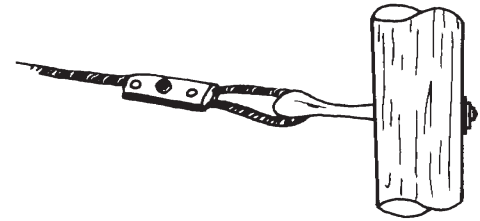
Catalog No.	Size Inches	Thread Length Inches	Approx. Ship Wt. Lbs. Per 100 Pcs.	
—	†5110T	3/4 x 10	4	228
†5612	†5112T	3/4 x 12	6	244
5614	5114T	3/4 x 14	6	264

18,350 Pound Rated Tensile Strength  
\*NEMA Standard  
†RUS Listed

12,400 Pound Rated Tensile Strength  
\*ANSI  
†RUS Listed



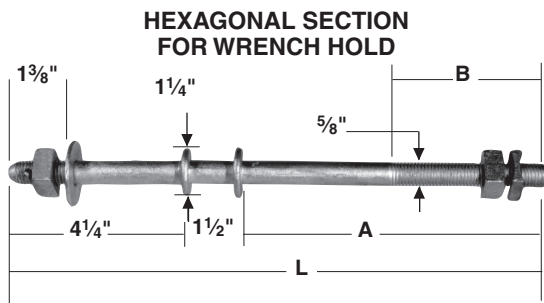
No. 5112T



No. 5612

## BOLTS, UPSET, DOUBLE

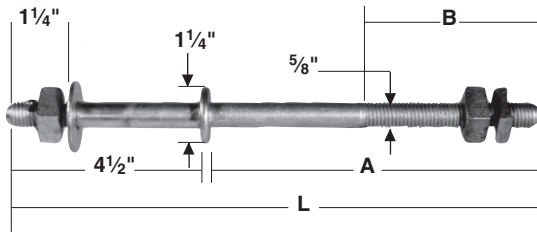
Includes square nut, round washer, and cotter key on short end and Square nut and M-F locknut on long end. Used with spool insulators ANSI 53-2. Hot dip galvanized.



Catalog No.	Dimensions in Inches			Approx. Ship Wt. Lbs. Per 100 Pieces
	A	L	B	
†7826	8	13 <sup>3</sup> / <sub>4</sub>	6	166
†7828	9	14 <sup>3</sup> / <sub>4</sub>	6	162
†7830	10	15 <sup>3</sup> / <sub>4</sub>	6	168
7832	12	17 <sup>3</sup> / <sub>4</sub>	6	186
7834	14	19 <sup>3</sup> / <sub>4</sub>	6	204

12,400 Pound Rated Tensile Strength  
†RUS Listed





## BOLTS, UPSET SINGLE

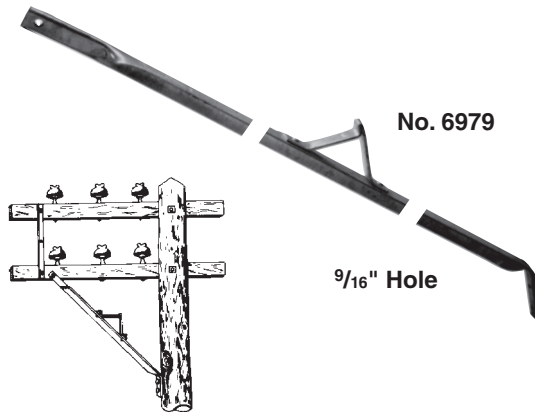
Used in rural secondary construction. Has  $\frac{5}{8}$ " thread diameter. Used with spool insulators ANSI 53-2. Hot dip galvanized.

Catalog No.	Dimensions in Inches			Approx. Ship Wt. Lbs. Per 100 Pieces
	Shank Length		B	
	A	L		
†7741	8	12 $\frac{3}{4}$	4	138
†774112	9	13 $\frac{3}{4}$	4	144
7742	10	14 $\frac{3}{4}$	4	170
7743	12	16 $\frac{3}{4}$	6	186
7744	14	18 $\frac{3}{4}$	6	196

12,400 Pound Rated Tensile Strength

†RUS listed

1 $\frac{1}{16}$ " Hole



No. 6979

9/16" Hole

## BRACES, CROSSARM, ALLEY ARM

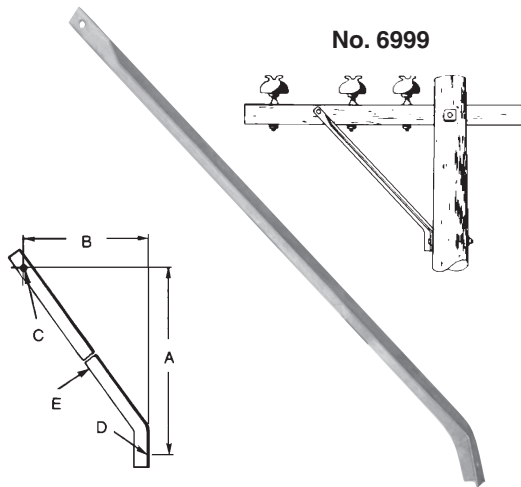
Used for side-arm construction. Furnished with lineman's steps. Hot dip galvanized.

Catalog No.	Length Feet	Angle Size Inches	Holes		Approx. Ship Wt. Lbs. Per 100 Pcs.
			Arm Attach	Pole Attach	
*6979	5	1 $\frac{3}{4}$ x 1 $\frac{3}{4}$ x $\frac{3}{16}$	$\frac{9}{16}$	$\frac{9}{16}$	1300
†6984	7	1 $\frac{3}{4}$ x 1 $\frac{3}{4}$ x $\frac{3}{16}$	$\frac{11}{16}$	$\frac{9}{16}$	1788
T2030367	10	2 x 2 x $\frac{1}{4}$	$\frac{11}{16}$	$\frac{11}{16}$	1780

\*NEMA Standard

†RUS listed

No. 6999



## BRACES, SIDE ARM

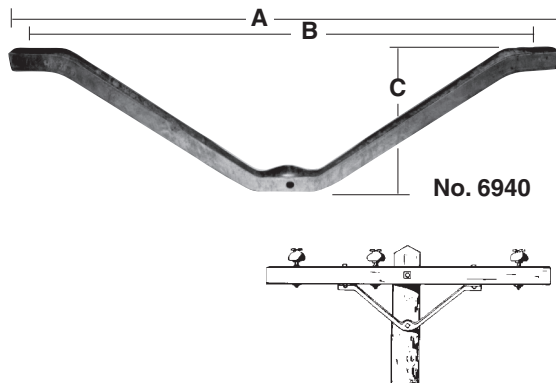
Used on three-phase medium-voltage lines, brace is placed on side opposite odd conductor to support the unbalanced load. Can be used for either right or left support. Hot dip galvanized.

Catalog No.	Dimensions in Inches					Approx. Ship Wt. Lbs. Per 100 Pcs.
	A	B	Hole Dia.		Size of Angle E	
			Pole C	Arm D		
†6999	27	42	$\frac{11}{16}$	$\frac{11}{16}$	1 $\frac{3}{4}$ x 1 $\frac{3}{4}$ x $\frac{3}{16}$	930

†RUS listed

## BRACES, CROSSARM, "V"

Furnished with  $\frac{9}{16}$ " holes for crossarm mounting.  $\frac{11}{16}$ " holes for pole mounting. The "1" series has a  $\frac{9}{16}$ " x 1" slot in place of the  $\frac{9}{16}$ " diameter crossarm mounting holes. Hot dip galvanized.

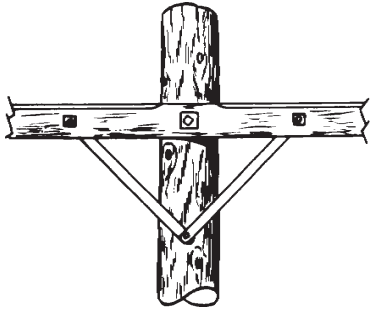


No. 6940

Catalog No.	Dimensions in Inches			Approx. Ship Wt. Lbs. Per 100 Pcs.
	Size of Angle	A	B	
*6940	1 $\frac{1}{2}$ x 1 $\frac{1}{2}$ x $\frac{3}{16}$	45	42	820
*6941	1 $\frac{1}{2}$ x 1 $\frac{1}{2}$ x $\frac{3}{16}$	51	48	980
†*6942	1 $\frac{1}{2}$ x 1 $\frac{1}{2}$ x $\frac{3}{16}$	63	60	1100
†*6948	1 $\frac{1}{2}$ x 1 $\frac{1}{2}$ x $\frac{3}{16}$	51	48	920
†*6953	1 $\frac{3}{4}$ x 1 $\frac{3}{4}$ x $\frac{3}{16}$	63	60	1340
†6955	1 $\frac{3}{4}$ x 1 $\frac{3}{4}$ x $\frac{3}{16}$	75	72	1600
69401	1 $\frac{1}{2}$ x 1 $\frac{1}{2}$ x $\frac{3}{16}$	45	42	820
69421	1 $\frac{1}{2}$ x 1 $\frac{1}{2}$ x $\frac{3}{16}$	63	60	1120

\*NEMA Standard

†RUS listed



## BRACES, CROSSARM, FLAT

Have rounded ends and are punched at one end with a <sup>9</sup>/<sub>16</sub>" hole, with a <sup>7</sup>/<sub>16</sub>" hole at the other end. Holes punched 1-inch from brace end to center of hole. Hot dip galvanized.

**<sup>7</sup>/<sub>32</sub>" x <sup>17</sup>/<sub>32</sub>" Braces**

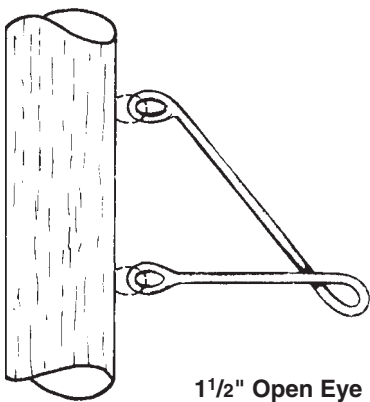
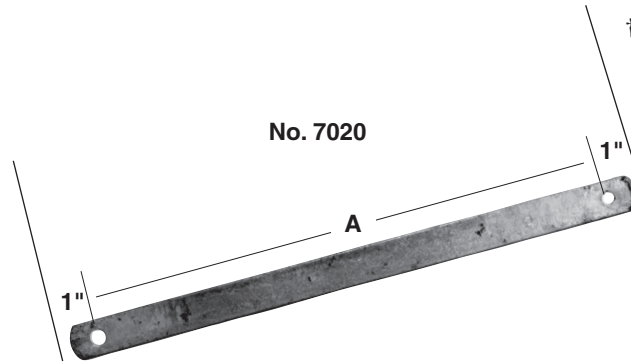
Catalog No.	"A"	Approx. Ship Wt. Lbs. Per 100 Pcs.
7020	18	140
7026	24	185
*7028	26	200
*7030	28	215
*7032	30	225

**<sup>1</sup>/<sub>4</sub>" x <sup>1</sup>/<sub>4</sub>" Braces**

Catalog No.	"A"	Approx. Ship. Wt. Lbs. Per 100 Pcs.
7126	24	230
†7128	26	240
7130	28	255
7132	30	275
C2030233	32	295
T2030459	34	315
T2060398	36	335

\*NEMA Standard

†RUS listed



**1 1/2" Open Eye**

## BRACKET, CORNER CONSTRUCTION

Used for small angles to deadend on pole. Has 1 1/2" x 2" drop-forged eyes, 12" extension. Mounting eyes are at right angles to take-off eye.

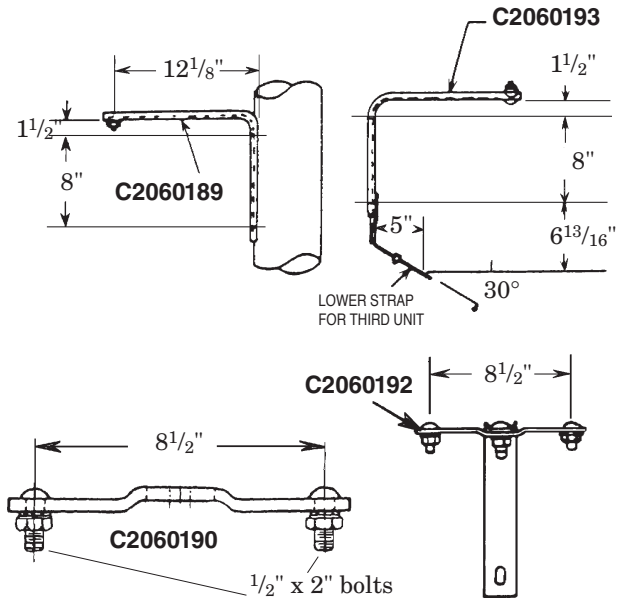
Catalog No.	Dimensions in Inches		Approx. Ship Wt. Lbs. Per 100 Pcs.
	Steel Size	Mting. Distance	
†5728	<sup>3</sup> / <sub>4</sub> Rd.	12	530
C2060480	<sup>5</sup> / <sub>8</sub> Rd.	12	375

†RUS listed

## BRACKETS, CUTOUT, ARRESTERS & POTHEAD

These brackets offer a wide variety of one, two or three unit mounting applications. Completely assembled brackets are available as well as individual parts for field adaptation. The one and two unit brackets can be mounted with the vertical member running either up or down the pole.

Catalog No.	Description	Approx. Ship Wt. Lbs. Per 100 Pcs.
C2060189	Pole bracket for mounting single unit of apparatus	390
C2060190	Cross strap for mounting two units of apparatus	230
C2060192	C2060189 and C2060190	630
C2060193	C2060189 and C2060190 and lower strap for third unit (incl. grd. clamp)	790

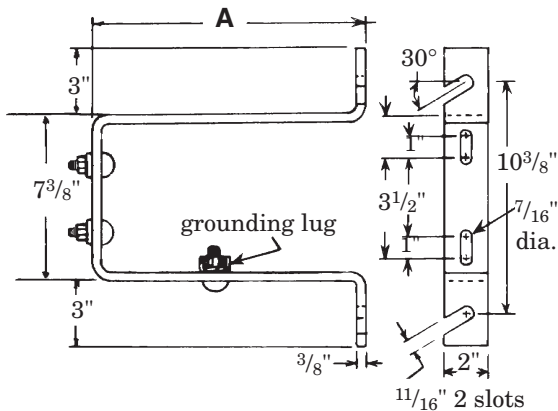
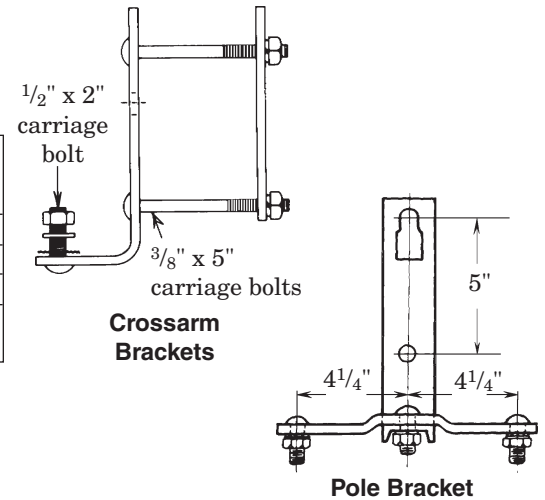


## BRACKETS, CUTOUT AND ARRESTER

Hot dip galvanized, complete with bolts, nuts and washers. Crossarm brackets adjust to fit arms from 3" x 4" to 4" x 5".

Catalog Number	Bracket Description	Clearance Dimensions	
		Crossarm to Mtg. Bolt	Wt. Per 100 lb.
*C2060127	Crossarm Bracket NEMA Type A	2 <sup>9</sup> / <sub>16</sub> "	250
*C2060283	Crossarm Bracket NEMA Type B	2 <sup>5</sup> / <sub>8</sub> "	284
C2060280	Crossarm Mounting Bracket	5 <sup>1</sup> / <sub>4</sub> "	375
C2060236	Pole Mounting Bracket	Pole to Mtg. Strap 5"	400

\*NEMA Standard



## BRACKET, CUTOUT AND ARRESTER

This "D" type bracket is used to mount cutouts and/or arresters directly to the pole. Three brackets may be used for three-phase application. Can be conveniently mounted or removed without removing bolts. Clean, quick mounting for single-phase application without crossarm or special pole bands.

Galvanized 3/8" x 2" steel, 7.25 or 12-inches of clearance to the face of the pole. Mounting holes accept the L portion of the NEMA cutout crossarm bracket. A grounding lug connector is provided (on C2090299 only), along with two 3/8" x 1 1/2" carriage bolts with nut, round washer and lock washer.

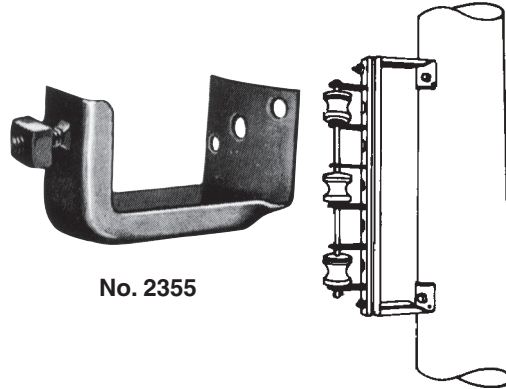
Catalog No.	Description	A (inches)	Approx. Ship Wt. Lbs. Per 100 Pcs.
C2060299	Pole bracket for Dim. A is 12-in. mounting single unit of apparatus with ground lug	12	767
C2060547	Pole bracket for Dim. A is 7.25-in. mounting single unit of apparatus without ground lug	7.25	675

## BRACKETS, EXTENSION

Where obstructions are to be overcome and where proper clearances are required, this bracket is fastened to the pole for mounting secondary racks. Made of hot-galvanized 9-gauge steel, it is equipped with a 5/8" x 2" carriage bolt. Curved back is 3" wide.

Catalog No.	Dimensions in Inches			Approx. Ship Wt. Lbs. Per 100 Pcs.
	Mounting Holes		Extension	
	Center	Side		
*PS2355	11/16	9/16	6	308
*2357	11/16	9/16	9	405

\*NEMA Standard



No. 2355

## BRACKET, NEUTRAL OFFSET

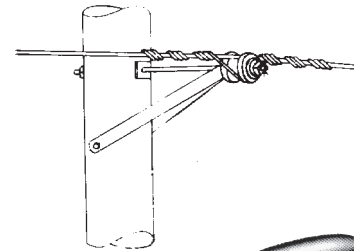
Designed to support the neutral wire well away from the pole. Used primarily on rural open wire construction where long spans are common and additional clearance or climbing space is required. Full-threaded 25" rod; 5/8" pin accepts ANSI 53-2 spool insulator.

Catalog No.	Arm Length	Rod Diameter	Pole Mting. Hole Dia.	Approx. Ship Wt. Lbs. Per 100 Pcs.
†C2060004	15"	5/8"	1/2"	800

†RUS listed



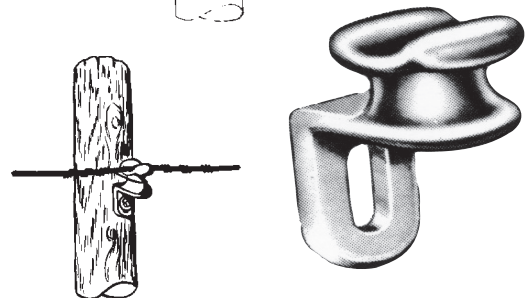
No. C2060004



## BRACKET, NEUTRAL WIRE

Used where a neutral wire is used as one of a 3-phase circuit. Has 11/16" mounting slots. Non-insulating. Hot dip galvanized steel.

Catalog No.	Wire Size	Length Pole Bearing Surface	Approx. Ship Wt. Lbs. Per 100 Pieces
3470	1/2 or under	2 1/2	124



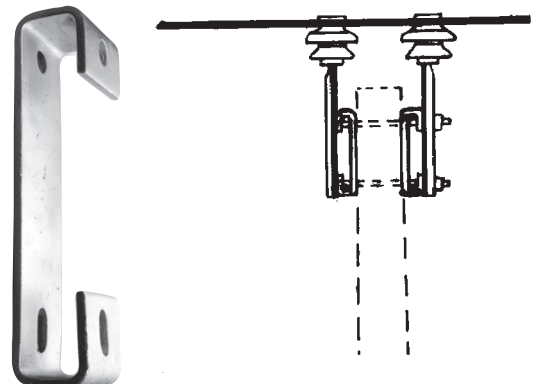
No. 3470

## BRACKET, POLE TOP

This bracket can be used with two pole-top pins to give additional clearance from the pole. It is mounted to the pole with 5/8" double arming bolts, extending the spread between insulators by 4" in addition to the pole diameter. The bottom slot is 11/16" x 1 1/4" for easy adjustment. Bracket pipe spacers may be required (See page 5-47).

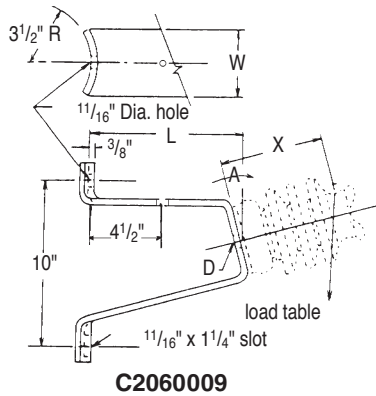
Catalog No.	Hole Dia.	Dimensions in Inches		Steel Size	Approx. Ship Wt. Lbs. Per 100 Pcs.
		Overall Height	Hole Spacing		
†2157	11/16"	10 1/2	8	1/4" x 3"	380

†RUS listed



No. 2157

## BRACKETS, POST INSULATOR Curved base


**C2060009**

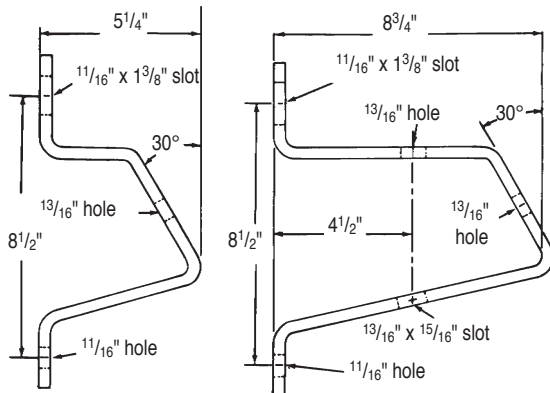
This bracket can be used for mounting distribution post-type insulators from 15 kV to 34.5 kV on the side of the pole. The base has a pole-shape back for convenient installation. Brackets can be placed in a phase-over-phase arrangement or can be mounted on opposite sides of the pole for "armless" construction.

Insulators not included.

Catalog Number	Dimensions In Inches			Angle A	Approx. Ship Wt. Lbs. Per 100 Pcs.
	L	D	W		
*C2060009	9 1/2	13/16	4	15°	1220
†*C2060010	12	13/16	4	15°	1669
C2060011	15	13/16	4	15°	2066

\*These brackets have 13/16" stringing block holes.

†RUS listed


**C2060162**
**C2060209**

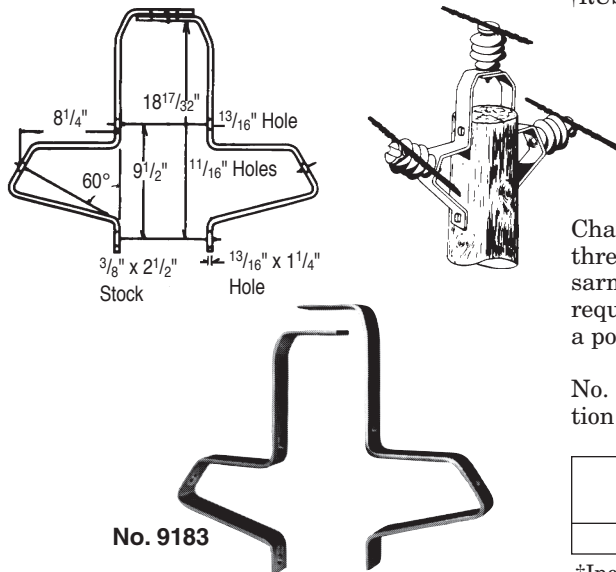
## BRACKETS, POST INSULATOR Side Mounted

The bracket is formed of high-quality 3/8" x 2 1/2" bar steel and hot dip galvanized. It can be utilized to mount distribution post insulators from 15 kV to 34.5 kV.

Catalog Number		Pole Mounting Bolts Required	Insulator Stud Bolts Required	Approx. Ship Wt. Lbs. Per 100 Pcs.
13/16" Hole	11/16" Hole	Two 5/8"	3/4"	650
†*C2060209	16919	Two 5/8"	3/4"	440
C2060162		Two 5/8"	3/4"	

\*This bracket is designed to facilitate a stringing block.

†RUS listed


**No. 9183**

## BRACKETS, POST INSULATOR Uni-Brackets

Chance Uni-Brackets are a clean-appearing, low-cost method of mounting three post-type insulators atop a pole completely eliminating the cross-arm. The brackets can be installed on the pole in less than five minutes, requiring only two 3/4" bolts for attachment. Uni-Brackets fit poles having a pole-top diameter from 6" to 8 1/2". Slot on top is 1 1/16" x 2 1/4".

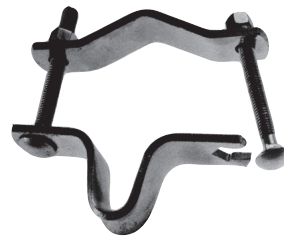
No. 9183 brackets can be adapted to a variety of distribution construction using post-type insulators from 15 through 34.5 kV.

Catalog Number	Insulator Stud Bolts Required	Approx. Ship Wt. Lbs. Per 100 Pcs.
†9183	5/8"	2100

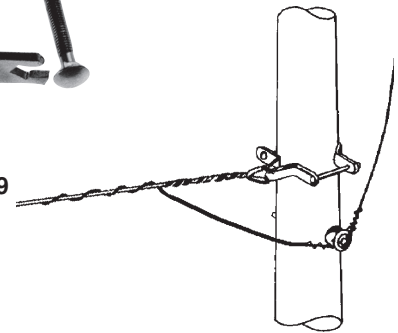
†Includes both sections of bracket

## BRACKET, SERVICE DEADEND

Attaches to 1 1/4" through 3" diameter service masts. Front strap is rounded to prevent damage to bail of the service clamp. Square hole at end of the front slot captures the carriage bolt head during installation and prevents slippage after installation. Hot dip galvanized.



C2060169



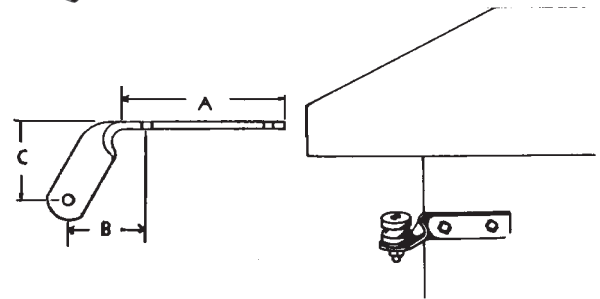
Catalog No.	Adjustment	Approx. Ship Wt. Lbs. Per 100 Pcs.
C2060169	1 1/4" — 3"	102

## BRACKETS, TELEPHONE HOUSE

Used where the pole lead attaches to the building at an angle or to carry leads around the corner of a building. Used with porcelain spool insulator and 8604 bolt (page 5-7) which are not included. Hot dip galvanized.



No. 8205

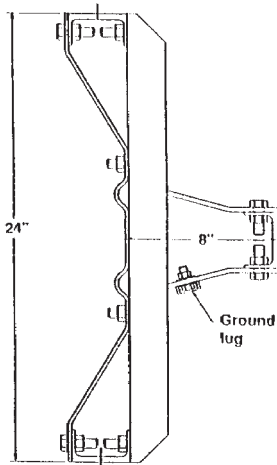


Catalog No.	Dimensions in Inches						Approx. Ship Wt. Lbs. Per 100 Pcs.
	Mtg. Holes	Ins. Holes	Steel Size	A	B	C	
8205	9/32	13/32	1/2 x 3/16	4 3/4	2 7/8	2 5/8	82

## BRACKETS, TRANSFORMER MOUNTING ALUMINUM RACK FRAME TYPE

These lightweight, easy-to-handle aluminum transformer mounting brackets are designed for 3 KVA thru 250 KVA transformers. Their bolted, rugged construction has pre-drilled holes for mounting. The convenient key-hole has a jump-proof lip for a secure mounting.

Units are designed to accommodate mounting one, two or three transformers and will fit NEMA- A, B and C lugs. A functional grounding lug is built-in on the back.



NO LONGER AVAILABLE.  
PLEASE SEE  
CATALOG SECTION 5B FOR  
UPDATED VERSIONS.



Catalog No.	Description	Approx. Ship Wt. Lbs.
C2128007	No transformer mtg. bolts	36
C2128007A	5/8 x 1 3/4-in. transf. mtg. bolts	36
C2128007B	3/4 x 2 in. transf. mtg. bolts	36
C2128007AB	5/8 & 3/4-in. transf. mtg. bolts	36



# BRACKETS, TRANSFORMER MOUNTING

## RACK-FRAME TYPE

For mounting 3 KVA to 500 KVA transformers

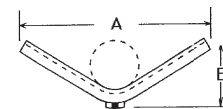
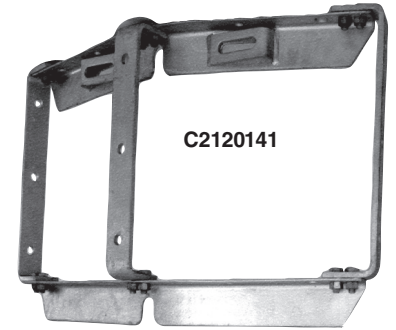
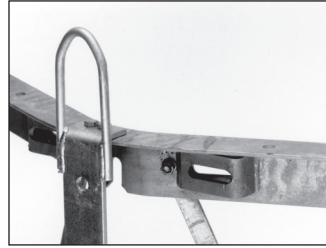
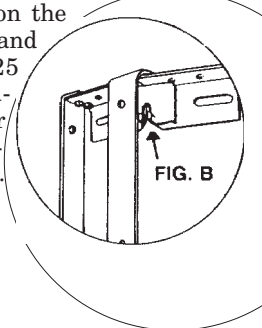
The rack-frame type bracket may be mounted to the pole with either thru-bolts or bands and is available in three sizes. Manufactured of high-strength steel, galvanized per ASTM A-153, with bolted construction using a minimum number of parts and completely factory assembled. Transformers can be mounted to these sturdy brackets while on the ground, with the hardware that is included with each bracket, for a convenient, balanced one-lift maneuver to the pole top,—pre-drilled holes accept lifting eyes.

The "T" prefix in the catalog number indicates the unit has a built-in integral lifting eye for an easy one-point lift maneuver.

Banded style has a reinforced bolting surface. (Fig. A)

Thru-bolt style has jump-proof lip. (Fig. B)

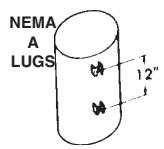
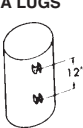
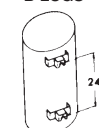
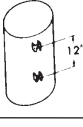
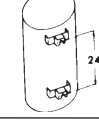


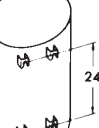
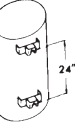
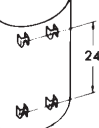
Virtually all 167 KVA to 333 KVA transformers can be installed on the C2120143 and T2120224 and C2120144 and T2120225 brackets. Check manufacturer's dimensions for cooling fins. Outside dimensions are shown in the table.



NOTE: Order thru-bolts and lag screws separately.

Thru-bolts up to 3/4" and lag screws up to 5/8".

C2120143

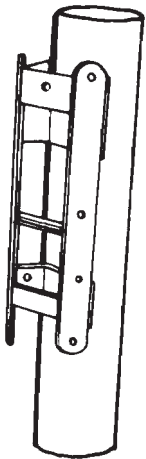
Catalog Number (1)	Transformer Lug Dimension	Type Pole Mounting	Wt. Each	Pole Diameter	Dimensions		Strength	
					A	B		
C2120141 T2120222	3 to 50 KVA 	One <b>BAND</b> & 2 lag screws or One <b>BAND</b> & 1 thru-bolt	55 lb.	6 1/2" - 11 1/2"	31"	6 1/2"	Tested to 2000 lb., per transformer position, simultaneous loading	
†C2120142 T2120223		2 <b>THRU-BOLTS</b> or 1 <b>THRU-BOLT</b> & 2 lag screws	53 lb.	N/A				
†C2120143 T2120224	3 to 333 KVA**  	** 2 Pole <b>BANDS</b>	75 lb.	7 - 12"	21 1/2"	4 1/2"		Tested to 5000 lb., per transformer position simultaneous loading
†C2120144 T2120225	 	2 <b>THRU-BOLTS</b>	61 lb.	N/A	25"	4 3/4"		
C2120145 T2120226	75 to 500 KVA 	2 Pole <b>BANDS</b>	102 lb.	7 - 12"	37 1/2"	9 1/2"	Tested to 5000 lb., per transformer position simultaneous loading	
†C2120146 T2120227	 	2 <b>THRU-BOLTS</b>	83 lb.	N/A				
*C2120147 T2120228	 	2 <b>THRU-BOLTS</b>	85 lb.	N/A				

(1) Note: "T" prefix indicates unit has lifting eye.  
#Order Adapter plate for type C lugs separately, see page 5-16.

†RUS listed  
\*\*If cooling fins fit, see dimensions A and B.  
\*Can also mount NEMA A lugs.

# TRANSFORMER BRACKETS

## Two Transformer Brackets



C2120001



No. C2110015 Top Plate  
No. C2110017 Bottom Plate

One piece construction. Drilled for banding or through bolting to pole. Has transformer mounting bolts and ground bolt assembly. Brackets have 12" and 24" spacing for mixed bank application. Tested to 4,000 lbs. per transformer position. Bracket C2120001 is mounted with two bolts or one bolt and lag screw.

Catalog No.	Description	Transformer KVA Rating	Ship Wt. Lbs. Each
*C2120001	Through Bolt Type	75 KVA and 100 KVA	30

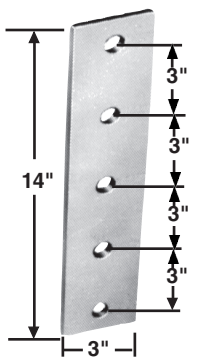
\*RUS listed

## Direct Pole Mount Brackets

Plates can be used on regular transformer brackets. One of each required to mount transformer.

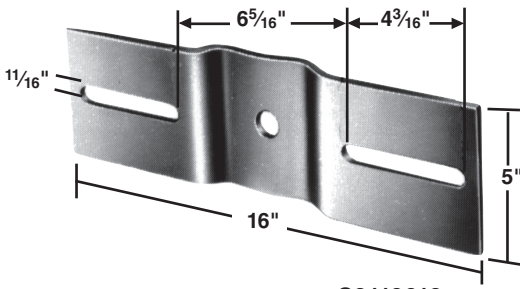
Catalog No.	Description	Ship Wt. Lbs. Each
C2110015	Top plate with jump-proof lips, less bolts	12.25
C2110017	Bottom plate with open end slot, less bolts	11.5

# ADAPTERS FOR USE WITH TRANSFORMER BRACKET



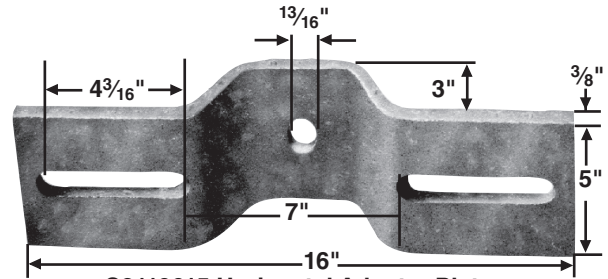
C2110009  
Vertical Adapter Plate

One plate is required for each transformer. Plates furnished with three 5/8" x 1 3/4" machine bolts.

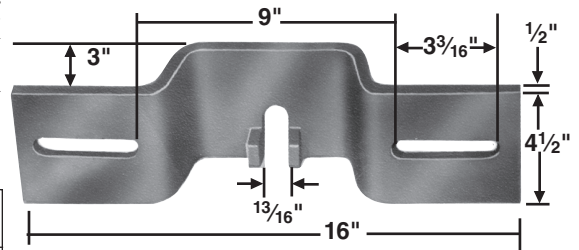


C2110012  
Horizontal Adapter Plate

Two bracket assemblies (5250 or 5350), can be used for mounting 167 KVA to 500 KVA by adding No. C2110012 horizontal adapter plates. Plates should be used with two brackets to make a complete assembly. Two plates are required for each transformer. Each plate is furnished with one 5/8" x 1 3/4" machine bolt.



C2110015 Horizontal Adapter Plate



C2110017  
Horizontal Adapter Plate

Horizontal adapter plates C2110015, C2110016 and C2110017, may be used in lieu of No. C2110012 plate where more extension from bracket is desired when mounting 167 KVA to 500 KVA transformers with Type "C" lug spacing. Two plates required per transformer. Furnished with two 5/8" x 1 3/4" bolts each as noted.

Catalog No.	Description	Approx. Ship Wt. Each Lbs.
C2110009	Adapter Plate for Mtg. Trans. on Single Segment, w/machine bolts.	5.4
C2110012	Adapter Plate for Mtg. Trans. with Type C lug spacing, w/machine bolts.	9.2
C2110015	Plate with 3" offset, w/machine bolts.	10.5
C2110016	Identical to C2110017 except open end mounting slot less jump-proof lips	10.4
C2110017	Top plate with jump-proof lips	10.3
C2110058	Includes C2110016, C2110017 and four 5/8" x 1 3/4" bolts and nuts	22



# BRACKETS, TRANSFORMER MOUNTING

## BANDED CLUSTER MOUNTS Fits most 3 KVA to 500 KVA transformers

These easy-to-install cluster mounts have a curved back to fit round, tapered poles from 6" (15.2 cm) to 10½" (26.7 cm) in diameter. Manufactured of high-strength steel, galvanized per ASTM A-153. Standard duty mounts have one set of four 6" long clamping bolts. Heavy-duty mounts have two sets of bolts (see sketch).

Lag screws can be used to position the mounting bracket before tightening clamping bolts. Support rating, however, does not depend on the use of lag screws. All banding hardware for mounting to the pole, hardware to attach transformer

to mounting bracket, ground clamp and installation instructions are included.

The Banded Cluster Mounts may be ordered in packages (recommended), or by components (not recommended).

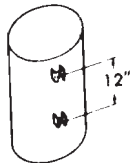
Brackets provide 6³/₈" of pole clearance.

**Heavy Duty Bracket**  
HD350  
HD315



**Heavy Duty Bracket**

**NEMA  
A  
LUGS**

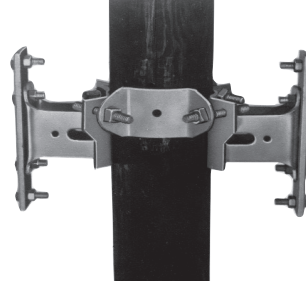


**SINGLE PHASE—  
3 thru 50 KVA Transformers**

**THREE PHASE—  
15 and 30 KVA Transformers**



No. 115



No. 215

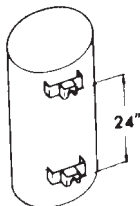


No. 315

Catalog Number	Weight Lb.	Catalog Number	Weight Lb.	Catalog Number	Weight Lb.	Catalog Number	Weight Lb.
<b>115</b> Consists of 1 #5150 Transformer Bracket and 1 #C2110009 Vertical Bracket	27.5	<b>†215</b> Consists of 1 #5250 Transformer Bracket and 2 #C2110009 Vertical Bracket	39	<b>†315</b> Consists of 1 #5350 Transformer Bracket and 3 #C2110009 Vertical Bracket	50	<b>HD315</b> Consists of 1 #HD5350 Transformer Bracket and 3 #C2110009 Vertical Bracket	65

†RUS listed

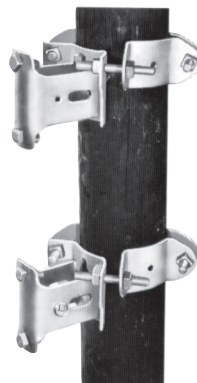
**NEMA  
B  
LUGS**



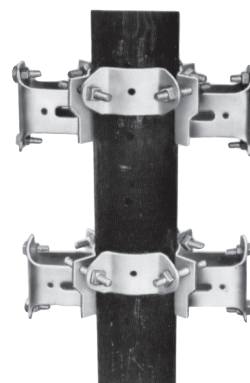
**SINGLE PHASE—  
75, 100 and 167 KVA Transformers**

**THREE PHASE—  
45 and 75 KVA Transformers**

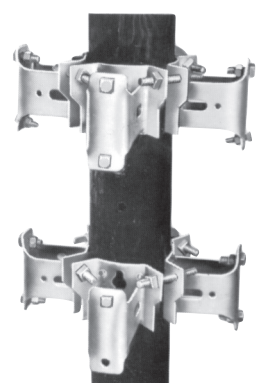
Will also mount Type A lugs, 12" spacing



No. PS150



No. PS250

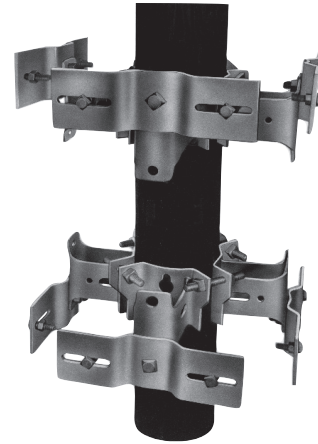
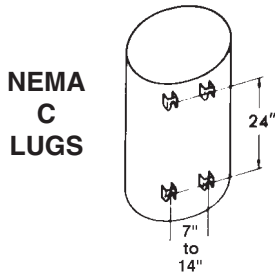


No. 350

Catalog Number	Weight Lb.	Catalog Number	Weight Lb.	Catalog Number	Weight Lb.	Catalog Number	Weight Lb.
<b>PS150</b> Consists of 2 #5150 Transformer Brackets	43	<b>†PS250</b> Consists of 2 #5250 Transformer Brackets	64	<b>†350</b> Consists of 2 #5350 Transformer Brackets	72	<b>HD350</b> Consists of 2 #HD5350 Transformer Brackets	86

†RUS listed

# BRACKETS, TRANSFORMER MOUNTING



**No. 3100**

**SINGLE PHASE—250, 333 and 500 KVA Transformers**  
**THREE PHASE— 112½, 150, 225 and 300 KVA Transformers**

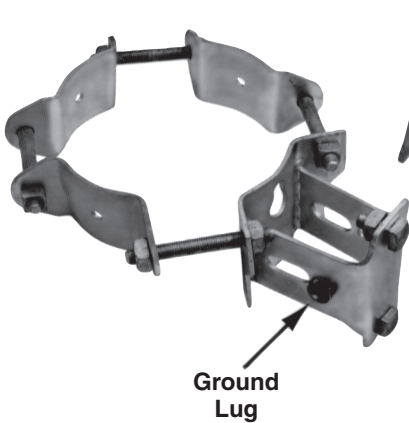
Catalog Number	Weight Lb.	Catalog Number	Weight Lb.
†3100 Consists of 2 #5350 Transformer Brackets and 6 #C2110012 Horizontal Brackets	129.6	HD3100 Consists of 2 #HD5350 Transformer Brackets and 6 #C2110012 Horizontal Brackets	137.6

†RUS listed

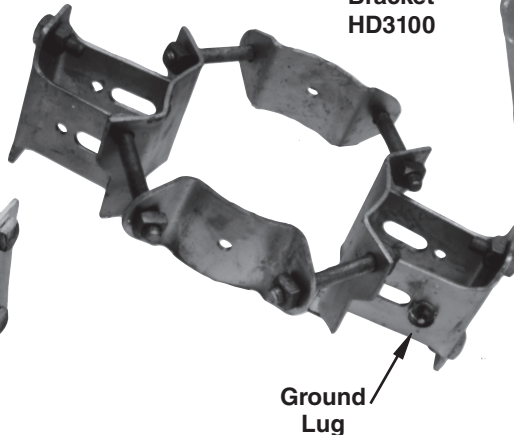
Tailor your own mounting assemblies with brackets and adapters on page 5-16.



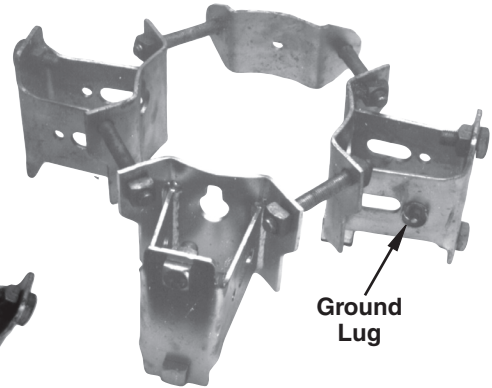
**Heavy Duty  
Bracket  
HD3100**



**No. 5150 Bracket**



**No. 5250 Bracket**



**No. 5350 Bracket**



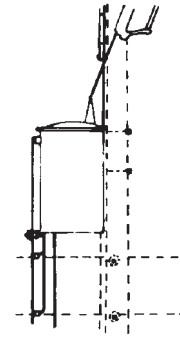
**C2110019 or  
C2110021  
Transformer Mounting  
Bracket  
9 lb.  
¼" stock**



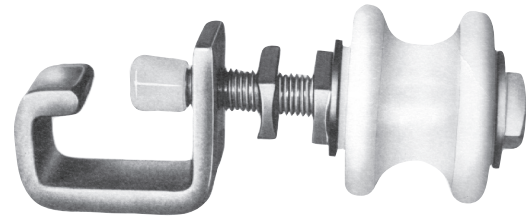
**C2030187  
Cluster Mount  
Segment  
2.5 lb.  
¼" stock**

# BRACKETS, TRANSFORMER, SECONDARY LEAD

The Chance Secondary Lead Transformer Bracket is a device that serves as a support for secondary lead wires. Made to clamp over the rolled edge at the bottom of the transformer, it fits all popular distribution transformers with steel tank. Clamp and bolt are hot dip galvanized steel. Bolt end has a plastic cap to prevent scratching the outer surface of the transformer. Furnished as a bracket or with insulator assembled.



Catalog No.	Description	Dimensions in Inches		Approx. Ship Wt. Lbs. Per 100 Pcs.
		Size of Insulator Bolt	Steel Size of Clamp	
†9113S *	With Non-ANSI 2 <sup>1</sup> / <sub>4</sub> x 2 <sup>1</sup> / <sub>8</sub> " Spool Insulator Ins. Assembled	1/2 x 5	5/16 x 1 <sup>1</sup> / <sub>4</sub>	152
†9114S *	With ANSI 53-2 Ins. Assembled	1/2 x 6	5/16 x 1 <sup>1</sup> / <sub>4</sub>	256


**No. 9113S**

† RUS listed  
\* "S" Indicates gray glaze insulators

# CLAMPS, BONDING

Bonding Clamps make a dependable mechanical and electrical pressure contact between guy strand and anchor rod, when the guy is part of the grounding system. Used on Thimbleye and Angle-Thimbleye bolts to keep hardware-to-guy contacts tight. Also used to prevent excessive wear on guy strands and protect galvanizing. Maintains electrical continuity.

### For Power Installed Screw Anchors

Catalog No.	Rod Type and Size in Inches	Approx. Ship Wt. Lbs. Per 100 Pieces
†G5067	Thimbleye, 1/2 & 5/8	22
†G5068	Thimbleye, 3/4 & 1	36
G5069	Twineye, 5/8, 3/4 & 1	38
C2030148	Tripleye, 5/8, 3/4 & 1	41

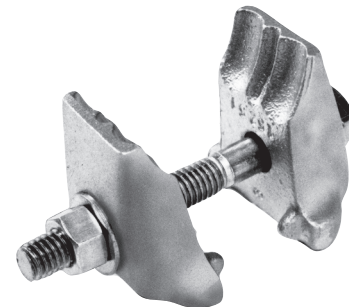
### Expanding Anchors & Rock Anchors

Catalog No.	Rod Type and Size in Inches	Approx. Ship Wt. Lbs. Per 100 Pieces
†G5060	Thimbleye, 1/2 & 5/8	6.5
◆ †G5061	Twineye, 5/8, 3/4 & 1	13
◆ †G5063	Tripleye, 3/4 & 1	21

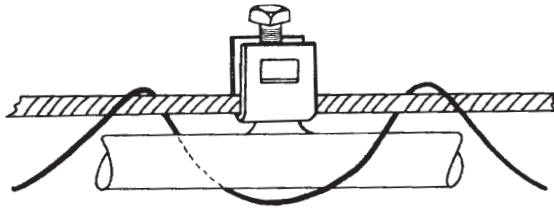
### For No-Wrench Screw Anchors

Catalog No.	Rod Type and Size in Inches	Approx. Ship Wt. Lbs. Per 100 Pieces
G5065	Thimbleye, 3/4 & 1	15
G5063	Tripleye, 3/4 & 1	21

† RUS listed  
◆ These can be used with SS (square Shaft) and RR (round rod) anchors.



## CLAMP, GROUND

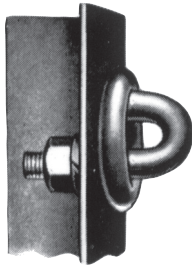


No. 7956

Connection is soldered to the cable sheath and mechanically clamped to the messenger wire. The bolt can be removed so that the clamp can be dropped over the messenger. Hot dip galvanized.

Catalog No.	Steel Size	Length	Bolt Size	Approx. Ship Wt. Lbs. Per 100 Pieces
7956	3/16 x 1 3/4	1 3/4	1/2 x 1 3/4	61

## CLAMP, GROUND WIRE

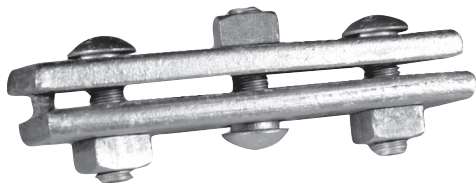


No. 5450

Ground Wire Clamp is used to attach ground or static wires to bayonets. No 5450 is 1/2" J-Bolt which fits into two holes at top of bayonet (as seen on Page 5-5).

### "J" Type

Catalog No.	Bayonet Hole Spacing	Approx. Ship Wt. Lbs. Per 100 Pieces
5450	1 5/16"	39



No. 6461

## CLAMP, GUY

Parallel grooves trap strand tightly without marring. Plate halves align evenly for easy application. Each bolt has a shoulder to prevent turning while tightening. Hot dip galvanized.

### 5/8" Clamp Bolts

Catalog No.	Dimensions in Inches				Ship Wt. Lbs. Per 100 Pcs.
	No. of Bolts	Length	Width	Accepts Strand Size	
6460	3	6	2 1/8	3/8 thru 5/8	390
†*6461	3	6	1 21/32	5/16 thru 1/2	252
6462	2	4	1 21/32	5/16 thru 1/2	178

### 1/2" Clamp Bolts

Catalog No.	Dimensions in Inches				Ship Wt. Lbs. Per 100 Pcs.
	No. of Bolts	Length	Width	Accepts Strand Size	
6448	2	3 3/8	1 9/16	1/4 thru 7/16	132
6449	3	4	1 9/16	1/4 thru 7/16	162
†*6450	3	6	1 9/16	1/4 thru 7/16	228

†RUS listed

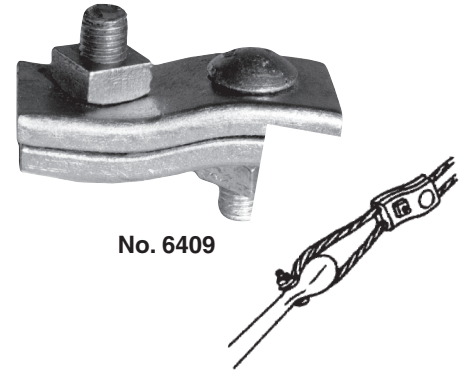
\*NEMA Standard

## CLAMPS, GUY OFFSET

This two-bolt guy clamp with curved clamping member provides a more positive hold on the guy strand. Available with 1/2" or 5/8" bolts. Hot dip galvanized.

Catalog No.	Bolt Dia.	Dimensions in Inches			Approx. Ship Wt. Lbs. Per 100 Pcs.
		Length	Width	Strand Size	
†6409	1/2	3 1/4	1 1/2	3/16 thru 5/16	135
†6410	5/8	4	1 5/8	5/16 thru 1/2	172

†RUS listed



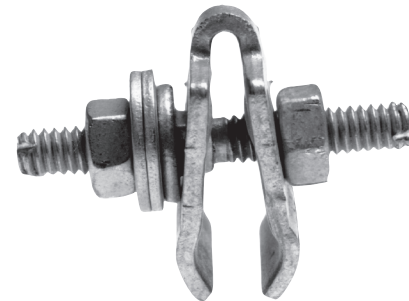
No. 6409

## CLAMPS, LASHING WIRE, TYPE E

Clamp is fitted with a special clamp bolt formed with a shoulder to prevent turning while tightening. Both ends of the 1/4" bolt are peened to prevent loss of nuts during shipment or handling. Hot dip galvanized.

Catalog No.	Dimensions in Inches			Approx. Ship Wt. Lbs. Per 100 Pcs.
	Length	Width	Strand Size	
†9000	1	1	1/4 thru 7/16	17

†RUS listed



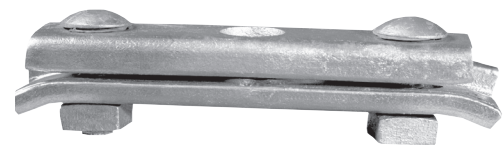
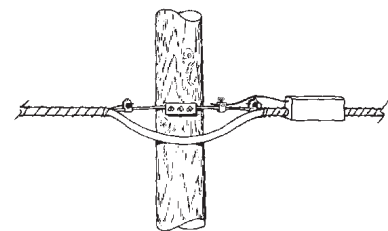
No. 9000

## CLAMPS, SUSPENSION

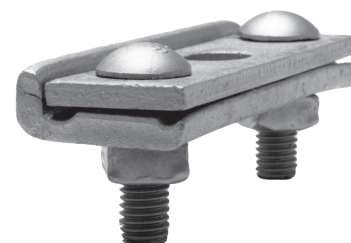
Clamps are used with through bolts to support cable at poles. Through bolt also serves as clamping member. One or more nuts and/or washers are used between the pole and clamp for required spacing. No. 7901 is used on very light cables. This one bolt clamp consists of the two clamping members only. Nos. 7902L and 7902R are used at corners and angles. Nos. 7903 and 7904 are used on straight runs.

Catalog Number	Type	Accommodates	Dimensions in Inches		Approx. Ship Wt. Lbs. Per 100 Pcs.
			Length	Center Hole Dia.	
7901	1-Bolt Straight Susp.	Strand Size 1/4 thru 7/16	2 1/2	11/16	75
7902L	3-Bolt Angle Susp.	1/4 thru 7/16	7	11/16	232
7902R	3-Bolt Angle Susp.	1/4 thru 7/16	7	13/16	232
7903	3-Bolt Straight Susp.	1/4 thru 7/16	5 5/8	11/16	178
*7903L	3-Bolt Straight Susp.	1/4 thru 7/16	5 5/8	11/16	177
7904	3-Bolt Straight Susp.	1/4 thru 7/16	5 5/8	13/16	212

\*Flat Keeper Plate

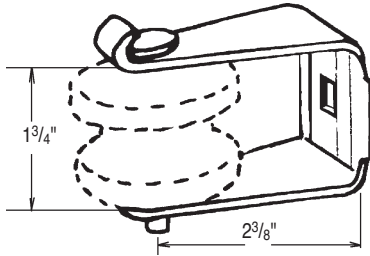


No. 7902R



No. 7903L

## CLEVIS, DEADEND

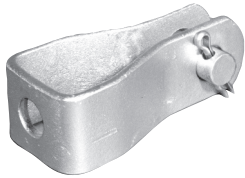


No. H14

There is no need for a cotter pin because the lip on the clevis locks the pin. An elongated slot in the upper arm lets the pin float into position. Steel parts are hot dip galvanized. Wet-process spool insulator is gray Sky-Glaze® color. Shipped unassembled.

Catalog No.	Description	Approx. Ship Wt. Lbs. Per 100 Pcs.
H14	Clevis, with Sq. Hole for 3/8" Carriage Bolts and pin only (insulator not included)	41

## CLEVIS DEADENDING



No. 455

Used for attaching deadend insulators and guys with extension links (Page 5-32). Clevises have 5/8" cotter bolts, except No. 456 which has a 3/4" machine bolt. Hot dip galvanized.

Catalog No.	Dimensions in Inches				Approx. Ship Wt. Lbs. Per 100 Pcs.
	Extension	Mtg. Hole Diameter	Throat Clearance	Steel Size	
455	3 3/4	1 3/16	5/8	3/16 x 1 1/2	98

## CLEVISES, INSULATED (Insulators Not Included)

**NEMA 53-2 PORCELAIN SPOOL INSULATOR**

No. \*461 – Wt. per 100 pcs. 158 lb.

**NEMA 53-2 PORCELAIN SPOOL INSULATOR**

No. \*468 – Wt. per 100 pcs. 132 lb.

**NEMA 53-4 PORCELAIN SPOOL INSULATOR**

No. 469 – Wt. per 100 pcs. 166 lb.

**C9091831 PORCELAIN SPOOL INSULATOR**

No. PS7820 – Wt. per 100 pcs. 90 lb.

**NEMA 53-3 PORCELAIN SPOOL INSULATOR**

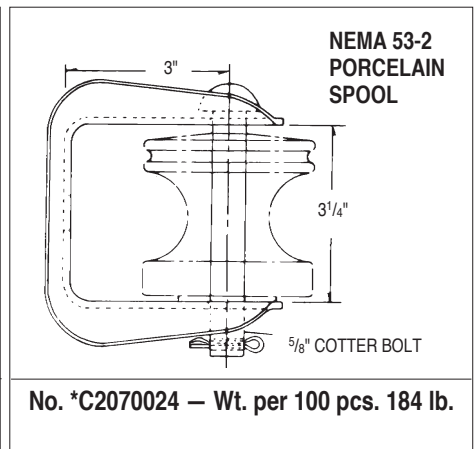
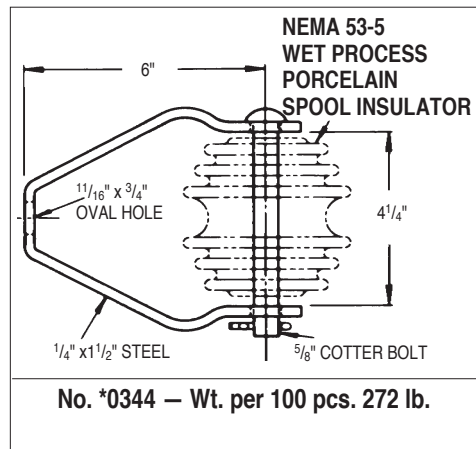
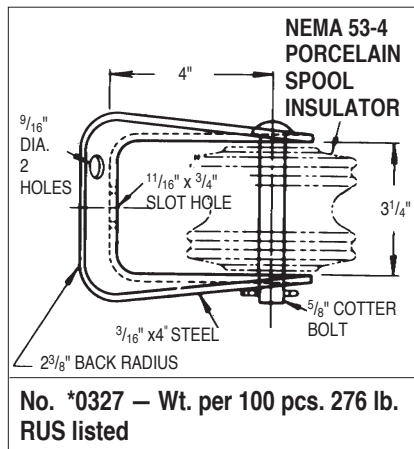
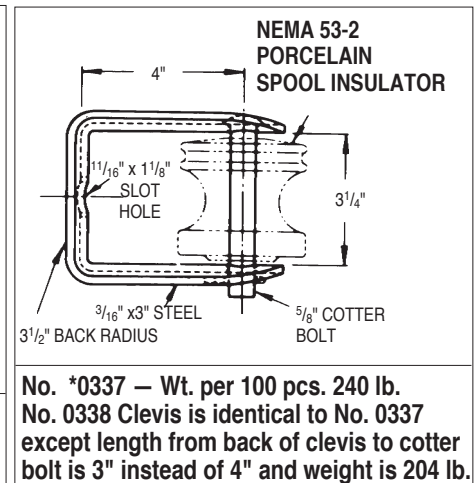
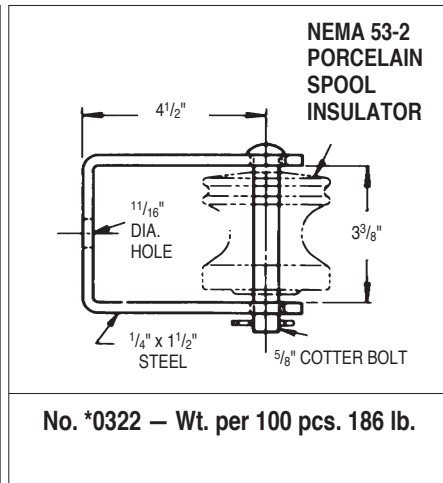
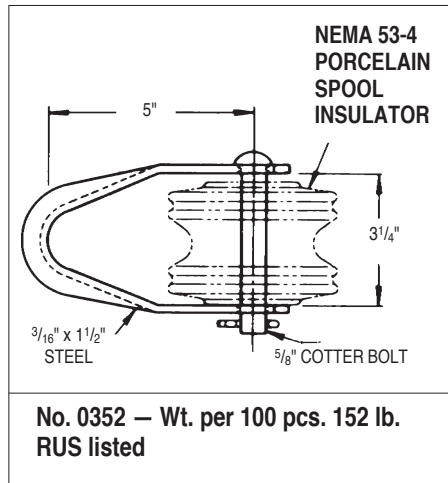
No. \*0340 – Wt. per 100 pcs. 144 lb.

**NEMA 53-1 PORCELAIN SPOOL INSULATOR**

No. \*0341 – Wt. per 100 pcs. 112 lb.  
RUS Listed

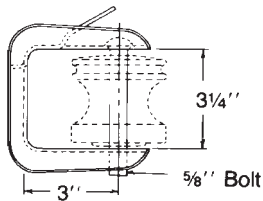
\*NEMA Standard

## CLEVISES, INSULATED (Less Insulators)

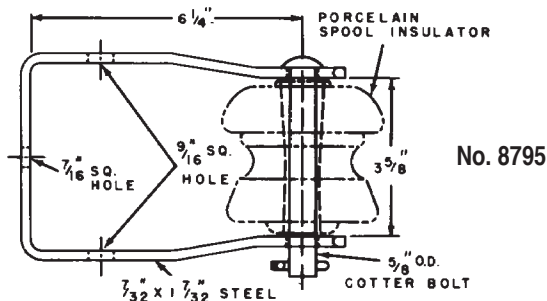
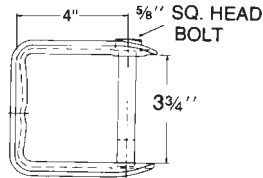


\*NEMA Standard

**NEMA 53-2  
INSULATOR  
No. C2070072**



**USE NEMA 53-3  
INSULATOR  
No. C2070116**



## CLEVISES, INSULATED (Less Insulators)

### Sagger Bracket

Double duty bracket may be used to support conductor during stringing operations and then may be rotated upright to become a permanent clevis. Catalog Number C2070072 has same overall dimensions as C2070024 clevis.

Catalog No.	Description	Approx. Ship Wt. Lbs. Per 100 Pcs.
C2070072	Sagger Bracket – Less Insulator	140
C2070116	Sagger Bracket – Less Insulator	240

### Crossarm Mounting Bracket

For attachment over crossarm with a 1/2 inch carriage bolt installed vertically through the arm, or a 3/8 inch lag screw.

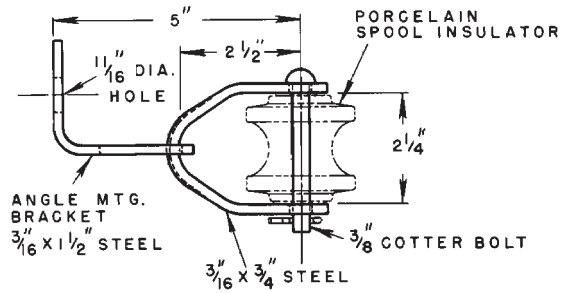
Catalog No.	Description	Approx. Ship Wt. Lbs. Per 100 Pcs.
8795	Clevis – less insulator	192

## CLEVISES, INSULATED (Less Insulators)

### Swinging Clevis

Catalog No.	Description	Approx. Ship Wt. Lbs. Per 100 Pcs.
1948M	Clevis & Mounting Bracket — Less Insulator	71
†1948C	Clevis Only — Less Insulator & Mounting Bracket	40

†RUS listed



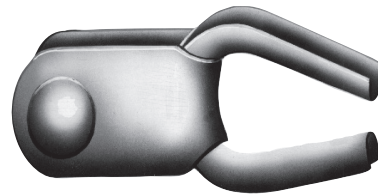
No. 1948M

## CLEVIS, THIMBLE

### Standard

Combines a steel-attachment clevis with a wire-rope thimble. Thimble has 2" diameter wire groove for deadending strand and swings free for flexibility. Hot dip galvanized.

Catalog No.	Dimensions In Inches		Approx. Ship Wt. Lbs. Per 100 Pcs.
	Steel Gauge	Cotter Bolt Diameter	
†573	10	5/8	94



No. 573

## CLIPS, WIRE ROPE GUY WIRE

Body of each clip is galvanized ductile iron designed to fit the strand, which is protected by smooth-rounded contact surfaces. Bolts are made of high-strength steel.

Catalog No.	Size of Strand, In.	Approx. Ship Wt. Lbs. Per 100 Pcs.	Catalog No.	Size of Strand, In.	Approx. Ship Wt. Lbs. Per 100 Pcs.
6480	1/4	12.5	6484	1/2	56.3
6481	5/16	13.5	6485	5/8	111
6482	3/8	22.5			



No. 6485



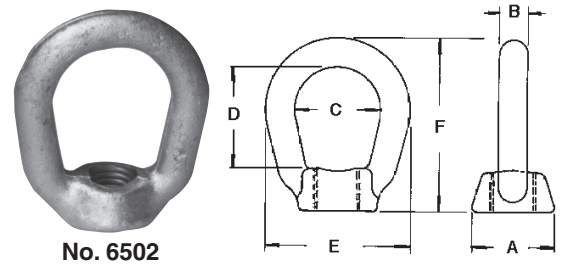
## EYENUTS, STANDARD

Most commonly used for deadending, back-guying, and attaching pole head guys on the threaded ends of crossarm bolts. Drop-forged hot dip galvanized steel.

Catalog No.	Dimensions In Inches							Approx. Wt. Lbs. Per 100 Pcs.
	For Bolt Dia	A	B	C	D	E	F	
6500	1/2	1 1/4	1/2	1 1/8	1 1/8	2 1/8	2 5/8	51
6501	5/8	1 1/4	1/2	1 1/8	1 1/8	2 1/8	2 5/8	46
†*6502	5/8	1 3/8	1/2	1 1/2	1 3/4	2 1/2	3	51
6503	3/4	1 3/8	1/2	1 1/2	1 3/4	2 1/2	3	54

\*NEMA Standard

†RUS listed



No. 6502

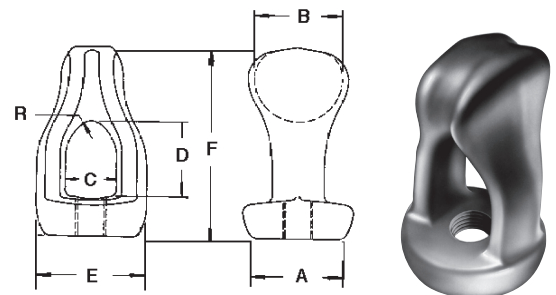
## EYENUTS, THIMBLEYE®

For attaching to thru-bolts or threaded end of straight or angle-Thimbleye bolts for straight-away head guys. Drop-forged galvanized steel. Nuts are contoured to minimize bending and kinking of guy strand.

Catalog No.	Tapped For	Dimensions In Inches							Approx. Wt. Lbs. Per 100 Pcs.
		A	B	C	D	E	F	R	
†6510	5/8 Bolt	1 1/2	1 1/2	7/8	1 3/8	1 7/8	3 1/4	1/4	78
*6511	3/4 Bolt	1 1/2	1 1/2	7/8	1 3/8	1 7/8	3 1/4	1/4	72

\*ANSI Standard

†RUS listed



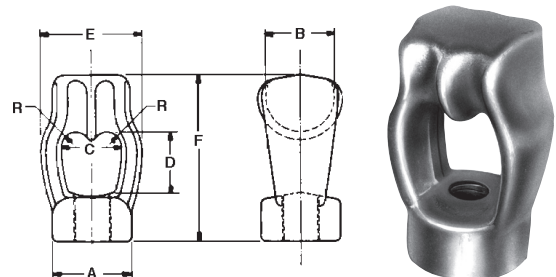
No. 6510

## EYENUTS, TWINEYE®

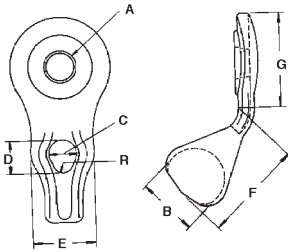
Used for head or stub guying of two strands, Twineye Nuts can be attached to thru-bolts or threaded end of straight or angle Thimbleye bolts. Grooves are contoured to protect guy strands. Drop-Forged galvanized steel.

Catalog No.	Tapped For	Dimensions In Inches							Approx. Ship Wt. Lbs. Per 100 Pcs.
		A	B	C	D	E	F	R	
6560	5/8 Bolt	1 7/8	1 11/16	1 1/8	1 5/16	2 3/8	3 5/8	5/16	190
6561	3/4 Bolt	1 7/8	1 11/16	1 1/8	1 5/16	2 3/8	3 5/8	5/16	184
*6562	1" Bolt and PISA	1 7/8	1 11/16	1 1/8	1 5/16	2 3/8	3 5/8	5/16	188

\*Cat. No. 6562 1" eye nut fits both 1" and 3/4" PISA rods.



No. 6562



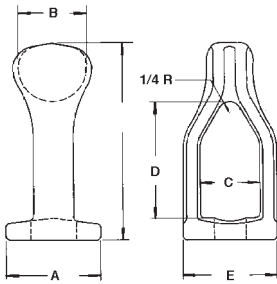
**No. 0100**

### EYE, ANGLE THIMBLEYE®

Used for attaching to thru-bolt or threaded end of straight or angle Thimbleye bolt for down guying. Rounded groove protects guy strand from sharp bending and kinking. Drop-forged galvanized steel. Construction for high strength application.

Catalog No.	For Bolt Dia.	Mtg. Bolt Hole A	Dimensions In Inches							Approx. Wt. Lbs. Per 100 Pcs.
			B	C	D	E	F	G	R	
†0100	5/8	11/16	1 1/2	11/16	13/16	1 5/8	2 1/2	2 1/2	9/32	120
0101	3/4	13/16	1 1/2	11/16	13/16	1 5/8	2 1/2	2 1/2	9/32	132

†RUS listed



**No. 6519**

### EYES, THIMBLEYE®

Used on ordinary machine bolts for straight-away guys. Rounded groove protects guy strand from sharp kinks and bends. Drop-forged galvanized steel. Construction for high strength applications.

Catalog No.	For Bolt Dia.	Mtg. Bolt Hole	Dimensions In Inches						Approx. Wt. Lbs. Per 100 Pcs.
			A	B	C	D	E	F	
6519	5/8	11/16 x 1	2 1/16	1 1/2	1 5/16	2 9/16	2 1/16	4 5/16	123
6520	3/4	13/16 x 1 1/8	2 1/16	1 1/2	1 5/16	2 9/16	2 1/16	4 5/16	130

## GUARDS & STRAPS, CABLE

Protect telephone and power lines where circuits lead from underground to overhead. Guards are 14-gauge hot dip galvanized steel, formed into "U" shape. Straps are made from hot dip galvanized flat steel, shaped to fit the guards.

#### Guards

Catalog No.	Length, Feet	Inside Dia. Inches	Approx. Ship Wt. Lbs. Per 100 Pcs.
C2030450	8	3/4	480
†6531	5	1 1/8	480
†653112	8	1 1/8	560
†6532	5	2 3/16	860
†6533	8	2 3/16	1260
6534T	5	3 3/16	1525
6535	8	3 3/16	1800
C2030451	8	3 11/16	2269

†RUS listed

#### Mounting Straps

Catalog No.	Used With Guard No.	Dimensions in Inches		Approx. Ship Wt. Lbs. Per 100 Pcs.
		Steel Size	Hole Dia.	
†6538	6531 & 653112	1/8 x 3/4	9/32	12.8
†6539	6532 & 6533	1/8 x 3/4	9/32	24.3
†6540	6534T & 6535	3/16 x 1	11/32	63.5
C2030455	C2030450 C2030452	3/32 x 3/4	9/32	6.6
C2030456	C2030451	3/16 x 1	11/32	69

†RUS listed

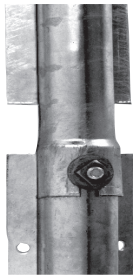
**No. 653112**



**No. 6538**

## GUARDS, UNDERGROUND CABLE

Flanged one-piece unit is formed of 14 gauge steel. Hot dip galvanized. Extension is flared at one end so that it can be joined to the base section. A carriage bolt fastens the two sections together and also serves as a ground lead attachment point. Mounting holes in 1" wide flanges are located every 25". No straps needed for installation.



No. C2030033



### Cable Guards

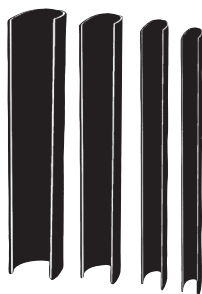
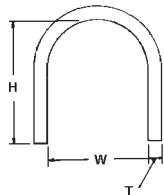
Catalog No.	Overall Length	Inside Dia.	Inside Clearance From Face of Pole	Approx. Wt. Per 100 Pcs.
C2030033	9'	2"	1 <sup>7</sup> / <sub>8</sub> "	1900
C2030034	9'	3"	2 <sup>7</sup> / <sub>8</sub> "	2600
C2030035	9'	3 <sup>1</sup> / <sub>2</sub> "	3 <sup>3</sup> / <sub>8</sub> "	2800

### Cable Guard Extensions

C2030036	5'	2"	1 <sup>7</sup> / <sub>8</sub> "	1000
C2030037	5'	3"	2 <sup>7</sup> / <sub>8</sub> "	1400

## GUARDS, PLASTIC MOLDING

KOVER-GARD® molding protects surface ground wires, lead wires and conductors. Flame retardant and easy to install. Makes wood or metal molding obsolete.



### KOVER-GARD Molding

Kover-Gard Molding Catalog Number	Nominal Size (Inches)	Measurements (Inches)				Std. Length	Std. Pkg.	Approx. Wt. Per 100 Pcs.
		H	W	T	Std. Length			
Black								
96KG12	1/2	1/2	1/2	1/16	96	50	48	
96KG34	3/4	3/4	3/4	1/16	96	50	76	
96KG1	1	1	1	5/64	96	50	96	
96KG112	1 1/2	1 1/2	1 1/2	5/64	96	25	227	

K-S Straps for fastening covered conductors, conduit or pipe . . . Anything up to 7/8" O.D., electrical or not.

### K-S STRAPS

Catalog Number	KS12 (for 96KG12)	KS34 (for 96KG34)
Length	2"	2 <sup>3</sup> / <sub>8</sub> "
Width	5/8"	5/8"
Thickness	1/16"	5/64"
Pcs. Per Ctn.	1,000	1,000
Wt. Per Ctn.	6.25	7.20



K-S Straps

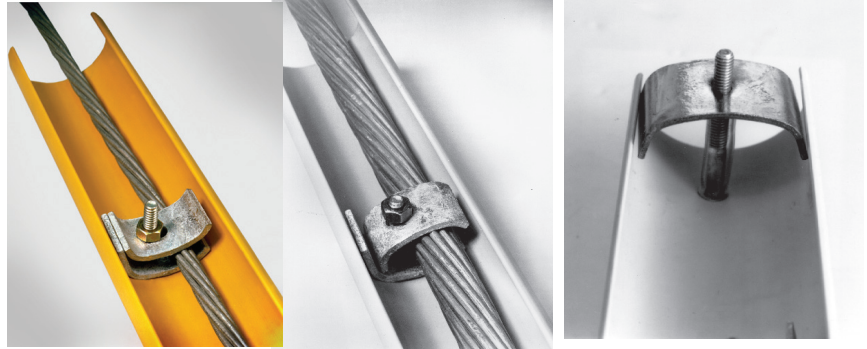
# GUY MARKERS

## HALF-ROUND MARKERS



Made from an MPO formulation, markers come in yellow only. They resist whitening and have high impact resistance. Markers don't become brittle when cold. They cover completely from the ground up. Markers attach to any 3/16" to 3/4" guy strands. Clamps are located at top, middle and lower end of marker.

Each PBG is furnished with a one-bolt hardware clamp at the lower end to fit all types of guy attachments and two one-bolt strand clamps at the middle that adapts to fit guy wires from 3/16" through 3/4".



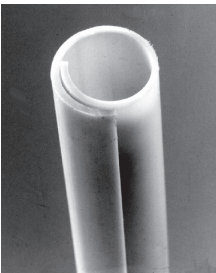
**Convertible Strand Clamp**

**Hardware Clamp**

Catalog Number	Dimensions		Strand Range	Std. Pkg.	Wt. Per 100 Pcs.
	Length	Width			
Yellow color only					
84PBG2Y	84"	2"	3/16" thru 3/4"	12	150
†96PBG2Y	96"	2"	3/16" thru 3/4"	12	175

†RUS listed

## ECONOMY FULL-ROUND MARKERS

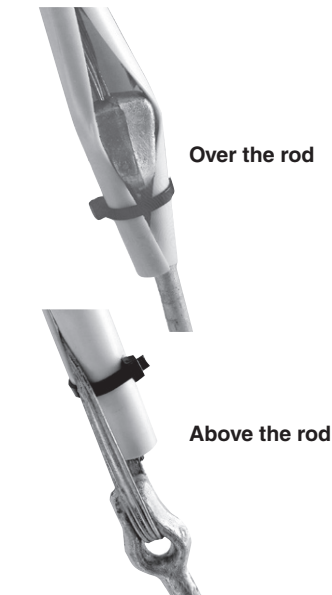


**Full Round Construction**

Bright, high visibility markers neither bleach out to white nor crack from cold temperatures. Made of ultraviolet-stabilized high-density polyethylene, overlapping tube-like design offers full-length coverage.

**Easy installation requires no tools.** Replaceable standard tie strap allows the markers to be reused. Three holes permit the black self-locking nylon strap (furnished) to secure the lower end in a choice of two attachment methods — either above or over the anchor rod, illustrated below. This fastening design eliminates the cutaway section that would weaken its resistance to breaking.

**The economy marker is available in high visibility 8' long, 1 1/8" O.D., bright yellow sections.**



### ORDERING INFORMATION

Catalog Number	Dimensions		Color	Per Carton	
	Length	Dia.		Units	Weight per 100 pcs.
96FRPE	8 ft.	1 1/8"	Bright Yellow	25	96 lbs.

## GUY MARKERS, FULL ROUND

### Increased Visibility

A full 360° of 1.5" diameter high visibility yellow or orange provides increased visibility to children and adults alike. Also available in green or gray for more aesthetically inconspicuous applications. A 2½" diameter marker is also available.

### Increased Vandal Resistance

A unique strand trapping design has been added to the security of a concealed pigtail and a self-locking nylon strap. The guy strand passes easily in one direction only . . . into the marker.

### Increased Installation Ease

Easy to install; tough to remove. Simply snap the marker over the guy and lock it in place with the self-locking nylon strap and pigtail.

### Increase Installation Range

Fit guy strand diameters from 3/16" to 1/2".

### Increased Ruggedness for Demanding Service

The UV stabilized, high impact, high density polyethylene construction has excellent color retention, cold weather properties and no cutaway sections to weaken its strength.

### Decreased Costs

Not only will you save time but you'll also save money with these exceptionally affordable guy markers.



**\*Cat. No. C0790263. Reflective 10" long bright orange strip 2' from top of yellow marker for greater visibility. Ideal for heavy snow areas and also for recreational ATV-use areas.**

## ORDERING INFORMATION

Catalog Number				Dimensions		Strand Range	Std. Pkg.	Wt. Per 100 Lbs.
Gray	Yellow	Green	Orange	Length	Dia.			
—	84FRPMYEL	84FRPMGRN	84FRPMORG	84"	1.5"	3/16" thru 1/2"	20	105
96FRPMGRY	96FRPMYEL (1)	96FRPMGRN	96FRPMORG	96"	1.5"	3/16" thru 1/2"	20	120
—	C0790263*	—	—	96"	1.5"	3/16" thru 1/2"	20	120

(1) Can be ordered without pigtail, cat no. T0790206

### 2½" Diameter

Catalog Number	Color	Dimensions		Strand Size	Std. Pkg.	Wt. Per 100 Pcs.
		Length	Dia.			
T0790228	Yellow	96"	2½"	3/16" thru 1/2"	9	240

### Flame Retardant

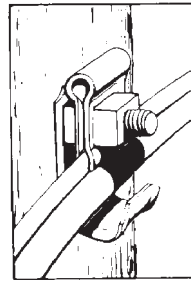
Catalog Number Yellow	Dimensions		Strand Range	Per Carton	
	Length	Dia.		Std. Pkg.	Wt. Per 100 Pcs.
†84FRPMRYEL	84"	1.5"	3/16" thru 1/2"	20	105
†96FRPMRYEL	96"	1.5"	3/16" thru 1/2"	20	120

†RUS listed

## HANGER FIGURE 8 CABLE

Used to support integrated messenger telephone cable – commonly referred to as Figure 8 Cable. Hanger is in two parts, hook and clamp, both galvanized steel. Installed with a 1/2" machine bolt and two square nuts. One nut is placed between hook and clamp for spacing. The other is used to tighten the clamp member. Order nuts and bolts separately. Accommodates .109 to .134 solid messenger wire.

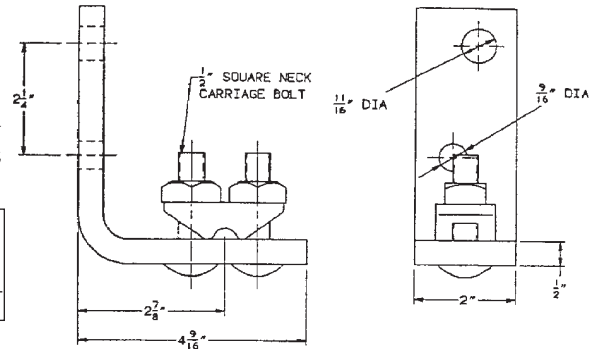
Catalog No.	Description	Approx. Ship Wt. Lbs. Per 100 Pcs.
PS9015	Hook and Clamp	54



## HANGERS, MESSENGER UNIVERSAL TYPE

Used on corners and straight runs. Messenger is securely clamped by two 1/2" carbon-steel guy clamp bolts. Mounted with a 5/8" thru-bolt and a 1/2" lag screw, neither of which are included. Hot dip galvanized.

Catalog No.	Dimensions in Inches			Approx. Ship Wt. Lbs. Per 100 Pcs.
	Steel Size	Ext. from Pole	Strand Size	
7911	1/2 x 2	4 1/4	5/16 to 1/2	370



No. 7911

## HOOKS, DRIVE AND SCREW

Hooks used to attach wedge type service drops and deadend clamps to crossarms, poles or buildings. No. C2050190 Drive Hook is furnished with 7/16" fether drive threads and a pilot point for easy starting. No. 0317 Screw Hook has 3/8" gimlet threads.

Catalog No.	Dimensions in Inches			Approx. Ship Wt. Lbs. Per 100 Pcs.
	Thread Dia.	Length	Overall Length	
C2050190	7/16	2 1/2	4 3/4	27
0317	3/8	2	4	13



No. C2050190



No. 0317

## HOOKS, GUY

Keeps guy wire from creeping downward when pole is guyed sharply. Nos. 5001 and 5004 are used for storm guying. Hooks should be used under bolt heads for maximum shear strength.

Catalog No.	Description	Material Size, Inches	Hole Dia. Inches	Approx. Ship Wt. Lbs. per 100 Pcs.
5001	2-Bolt Storm	1/4 x 1 1/2 x 7	9/16 & 13/16	108
†5004	1-Bolt Storm, 3/4"R	1/4 x 1 1/2 x 4 1/8	11/16	79
†6584	1-Bolt Standard	7/16 x 1 3/4 x 4	11/16	78

†RUS listed



No. 6584



No. 5004

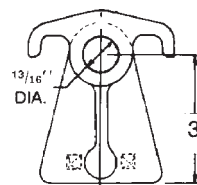
## HOOKS, GUY, DUCTILE IRON

Ductile Iron — Hot Dip Galvanized

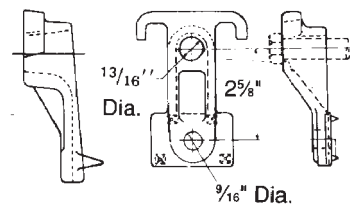
Will accommodate a maximum guy strand of 9/16" diameter at a 90° angle to the pole. May be used for down guy attachment with excellent load holding capabilities. The guy strand loop may be made up on the ground to simplify installation. See Catalog 5A for additional guy hooks.

Catalog No.	Type	Wt. Per 100 Pcs.
†GH6	2 Bolt	100 lbs.
GH6ILS	1 Bolt	96 lbs.

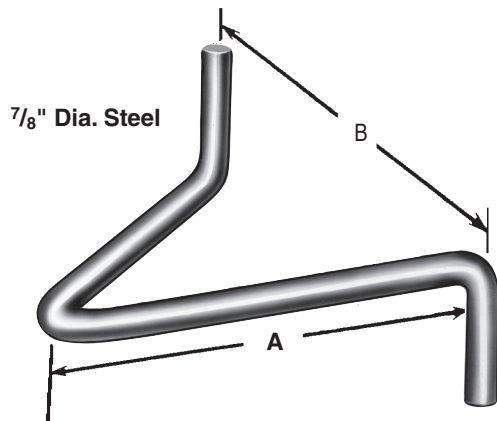
†RUS listed



GH6ILS

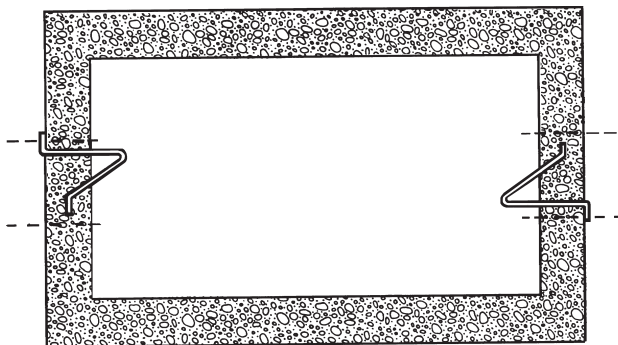


GH6



## IRONS, PULLING IN

Provides a strong and easy-to-get-at attachment for the pulling-in blocks when installing or removing cables. Pulling-in irons are set into the brick or concrete walls of street vaults opposite all duct entrances. Hot dip galvanized.



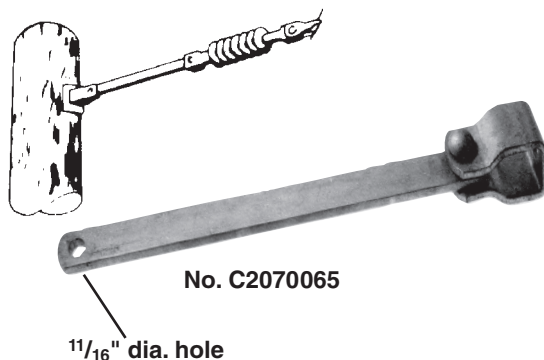
Catalog No.	Dimensions in Inches			Approx. Ship Wt. Lbs. Per 100 Pcs.
	Steel Size	A	B	
†8119	7/8 Rd.	9	8 <sup>3</sup> / <sub>8</sub>	540
†8120	7/8 Rd.	12	10 <sup>7</sup> / <sub>8</sub>	580

†RUS listed



## LINK, EXTENSION

The extension link is used to give additional clearance on deadends and corners. The end clevis has a slotted hole for inserting the machine bolt without having to remove the extension bar. Hot dip galvanized.



Catalog No.	Hole to Hole Length	Extension Bar Stock	Approx. Ship Wt. Lbs. Per 100 Pcs.
C2070065	20"	5/16" x 1 1/2"	441
†C2070112	14"	1/4" x 2"	500
T2070134	5.5"	1/4" x 2"	350
DC33B1	14"	3/16" x 1 1/4"	232
DC33B3	10"	3/16" x 1 1/4"	168

†RUS listed

# Markers, Cable Route

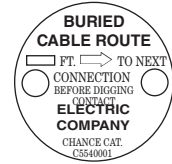
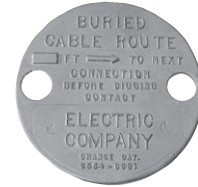
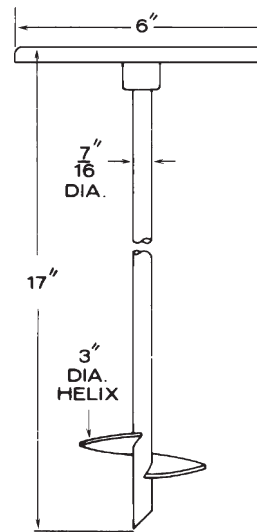
## Ground Level



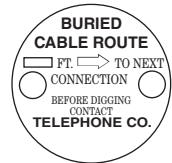
### • Easy Location of Buried Cable

This short anchor has an identification plate that can be used to mark locations of buried power, telephone or CATV cables. The anchor is screwed into the ground until the top plate is flush with the ground level.\* The 3" diameter helix and rod are galvanized steel. Holding power is approximately 750 pounds in average soil.

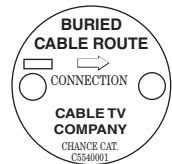
The top plate is made of copper alloy for high corrosion resistance and long life. The top is lettered with various information including an arrow pointing to the direction of the next connection.



**C5540001**



**T5540196**



### ORDERING INFORMATION

Catalog No.	Lettering on Top Plate Insert	Weight
†C5540001	Electric Company	2 lbs. 13 oz.
T5540196	Telephone Co.	2 lbs. 13 oz.

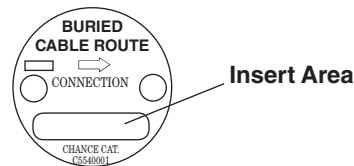
\*Installing tool is #CWFA

†RUS listed

### • Special Lettering for Insert Area:

For special lettering in INSERT AREA other than standard, order by description. These are available at additional charge. Special lettering may be cast with 2 lines of letters 3/8" high (11 letters on top line, 10 letters on next line) or 3 lines of letters 1/4" high (16 letters on top two lines, 15 letters on bottom line).

The entire top can also be special lettered at additional cost. Contact Hubbell Power Systems, Inc. for further details.





## NAILS, POLE DATING



Used to indicate the year in which poles are set. Heads are  $\frac{5}{8}$ " diameter. Hot dip galvanized. Year determines catalog number.

Catalog No.	For Year	Length Inches	Approx. Ship Wt. Lbs. Per 100 Pcs.
C2052007	2007	2 $\frac{1}{2}$	5.3
C2052008	2008	2 $\frac{1}{2}$	5.3
C2052009	2009	2 $\frac{1}{2}$	5.3
C2052010	2010	2 $\frac{1}{2}$	5.3

## NUTS

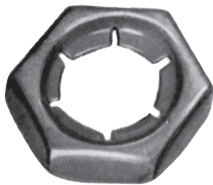
Made to give tight connections. Galvanized.

### M-F Curved Lock Nuts

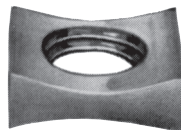
Catalog No.	Bolt Size, Inches	Wt. Lbs. Per 100 Pcs.
†3510	$\frac{3}{8}$	1.25
†3511	$\frac{1}{2}$	2.6
†3512	$\frac{5}{8}$	4.44

### M-F Curved Lock Nuts

Catalog No.	Bolt Size, Inches	Wt. Lbs. Per 100 Pcs.
†3513	$\frac{3}{4}$	6
†3514	$\frac{7}{8}$	8.5



No. 3530



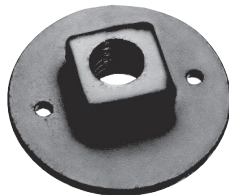
No. 3510

### Palnut Lock Nuts

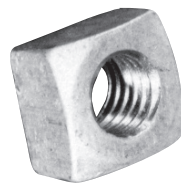
Catalog No.	Dimensions in Inches			Approx. Ship Wt. Lbs. Per 100 Pcs.
	Bolt Size	Width	Height	
3530	$\frac{3}{8}$	$\frac{5}{8}$	.160	.39
3531	$\frac{1}{2}$	$\frac{13}{16}$	.190	.92
3532	$\frac{5}{8}$	1	.224	1.34
3533	$\frac{3}{4}$	1 $\frac{1}{8}$	.246	1.73

### Washer Nuts

Catalog No.	Dimensions in Inches			Approx. Ship Wt. Lbs. Per 100 Pcs.
	Bolt Size	Washer Dia.	Sq. Size	
*3194	$\frac{5}{8}$	2 $\frac{1}{2}$	$\frac{15}{16}$	38



No. 3194



55083P

### For Bolts Regular Square Nuts

Catalog No.	Bolt Size, Inches	Threads Per Inch	Wt. Lbs. Per 100 Pcs.
*8600M	$\frac{3}{8}$	16	2.6
*55083P	$\frac{1}{2}$	13	8
*55084P	$\frac{5}{8}$	11	10.4
*55085P	$\frac{3}{4}$	10	14.4
*56538P	$\frac{7}{8}$	9	30
*56073P	1	8	50

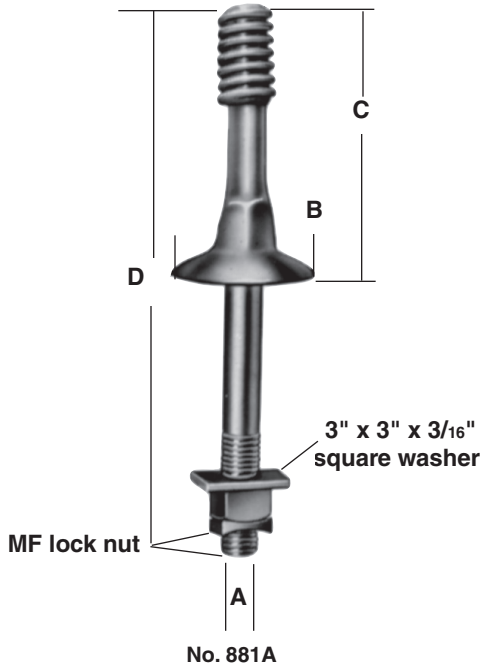
### For Rods Heavy Square Nuts

Catalog No.	Rod Size, Inches	Wt. Lbs. Per 100 Pcs.
*55058P	$\frac{1}{2}$	12.5
*55006P	$\frac{5}{8}$	12.8
*55312P	$\frac{3}{4}$	22
*55320P	1	50
*56001P	1 $\frac{1}{4}$	100

† RUS listed  
\*ANSI B18.2.2

## PINS Forged Steel Pins

Made with 1" lead thread for 1" pin-type insulators. 1/2" and 5/8" dia. shank pins are furnished with 2" x 2" x 1/8" square washers, and the 3/4" pins with 2 1/4" x 3/16" square washers. These pins come with square nut and curved lock nut. Short shank pins come with spring lock-washer and square nut only. Hot dip galvanized.



Catalog No.	Dimensions in Inches				Approx. Ship Wt. Lbs. Per 100 Pcs.
	A	B	C	D	

### For Wood Crossarms — Flat-Base Long-Shank Type

†*881	5/8	2	5	10 3/4	180
*881A	5/8	2	5	11 1/2	192
*883	5/8	2	6	12 1/2	196
*884	5/8	2	6	11 3/4	184
*PS890	3/4	2 1/2	6	12 1/2	264
C2060266	5/8	3	7 7/8	13 5/8	290
C2060294	5/8	3	7 7/8	15 5/8	340

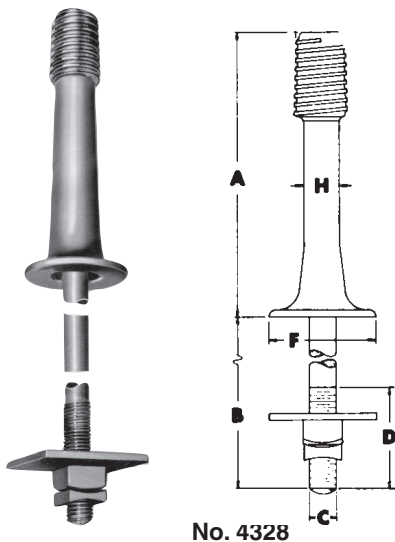
### For Steel Crossarms — Flat-Base Short-Shank Type

†*886	5/8	2	5	6 1/2	124
*PS887	5/8	2	6	7 1/2	136
*PS893	3/4	2 1/2	6	7 3/4	184

\*NEMA Standard  
†RUS listed

## PINS High Voltage Forged Steel Pins

Use with pin-type insulators. Each pin is forged from a single steel piece. Lead threads are free of fins and mold-marks, perfect insulator seating. Made for wood crossarms, the long-shank type pins have a 3" x 3" x 3/16" square washer, square nut, curved locknut.



### For Wood Crossarms — 1" Lead Thread

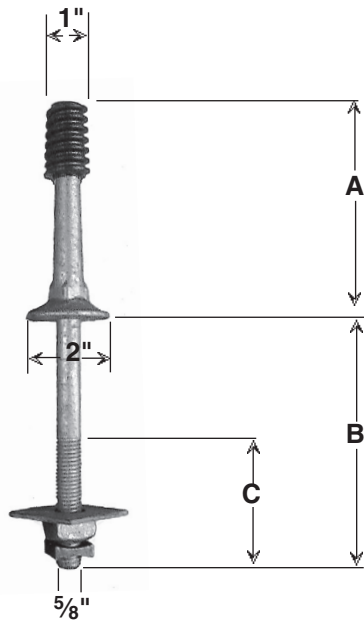
Catalog No.	Dimensions in Inches						Approx. Ship Wt. Lbs. Per 100 Pieces
	A	B	C	D	F	H	
4705	5	6 1/2	3/4	2 1/2	2 5/8	7/8	232
4706	6	6 1/2	3/4	2 1/2	2 5/8	7/8	276

### For Wood Crossarms — 13/8" Lead Thread

†4717	7	7	5/8	2 1/2	3	1	377
*4326	7	7	3/4	3	3	1	450
†4328	8	7	3/4	3	3	1	460
*4332	10	7	3/4	3 1/2	3 1/2	1 1/8	558

\*NEMA Standard  
†RUS listed

## Nylon Thread Crossarm Insulator Pins



Nylon threads are an alternative to lead threads on Chance steel insulator pins. These forged steel pins are hot-dip galvanized. Available on  $\frac{5}{8}$ " dia. shanks. Furnished with one each, 2" x 2" x  $\frac{1}{8}$ " square washer, square nut and curved lock nut.

### Nylon threads offer:

- Improved impact resistance
- Firm, more resilient insulator fit
- Environmental friendliness
- Elimination of lead disposal concerns

Catalog No.	Dimensions in Inches			Approx. Ship Wt. Lbs. Per 100 Pcs.
	A	B	C	
<b>For Wood Crossarms — Flat-Base Long-Shank Type</b>				
†*881P	5	$5\frac{3}{4}$	3	180
*881AP	5	$6\frac{1}{2}$	3	192
*883P	6	$6\frac{1}{2}$	3	196
*884P	6	$5\frac{3}{4}$	3	184
<b>For Steel Crossarms — Flat-Base Short-Shank Type</b>				
†*886P	5	$1\frac{1}{2}$	$1\frac{1}{4}$	124
*887P	6	$1\frac{1}{2}$	$1\frac{1}{4}$	136

\*NEMA Standard

†RUS listing applied for.



No. PS8779

## Crossarm Corner Type Pins

The crossarm corner pin is made of ductile iron, hot-dip galvanized. It mounts standard 1" thread insulators at an angle 60° from horizontal. Attached to the crossarm by means of a square head bolt which is furnished as part of the pin.

Catalog No.	Dimensions in Inches				Approx. Ship Wt. Lbs. Per 100 Pcs.
	Crossarm Size	Pin Height Above Crossarm	Bolt Size	Thread Size	
PS8779	4 x 5 Roofed	5	$\frac{5}{8}$ x 7	1	315



No. 14322

## Crossarm Type Pins — Carriage Bolt

Designed for straight-line, angle or corner construction. Base rests evenly on arms to prevent cutting into crossarm. Lugs prevent twisting. Two  $\frac{5}{8}$ " x 7" carriage bolts, two square nuts, two curved lock nuts and a  $\frac{5}{16}$ " x  $1\frac{1}{2}$ " washer-plate are included. Hot dip galvanized.

Catalog No. Lead Thread	Thread Size	Height Above Crossarm	Crossarm Size	Ship. Wt. Lbs., 100 Pcs.
†14322	1"	$5\frac{3}{4}$	$3\frac{3}{4}$ x $4\frac{3}{4}$	600
†143221	$1\frac{3}{8}$ "	$6\frac{3}{4}$	$3\frac{3}{4}$ x $4\frac{3}{4}$	792

†RUS Listed

## Pin, Insulator Pole Top Available with Nylon or Lead Threads for 1" or 1-3/8" Diameter Insulator Threads

Used for supporting pin type insulators in pole top installation.

### Features:

- Pins can be mounted with flange facing against or away from pole
- Lower mounting hole is slotted for bolt alignment

### Advantages of Nylon Threads

- Eliminate worker handling and environmental disposal concerns associated with lead threads
- Firm and resilient fit, resulting in improved insulator installation
- Facilitates insulator groove alignment
- Compliance with ANSI performance and dimensional specifications

### Material:

- Semi-conductive nylon or lead threads
- Pressed steel body is galvanized per ASTM A-153



Catalog Number - Nylon Threads	Catalog Number - Lead Threads	Insulator Thread	Overall Length	Mounting Hole Spacing		ANSI Longitudinal Load Rating	ANSI Transverse Load Rating	Approx. Ship Wt. per Each - Nylon/Lead
				Long	Short			
2162P #	2162 #	1" ANSI	15"	5"	N/A	1,200 lbs.	1,500 lbs.	2.49 lbs./2.68 lbs.
2170P #	2170 #		18"	8"	5"			2.92 lbs./3.33 lbs.
C2060106P	C2060106		20"		N/A			2.85 lbs./3.32 lbs.
2199P *	2199 *			21"	5"			3.40 lbs./3.76 lbs.
2174P #	2174 #		24"		6"			3.74 lbs./3.75 lbs.
C2060227P	C2060227			5"	4.80 lbs./4.95 lbs.			
2171P	2171		1 3/8" ANSI	24"	5"			5.00 lbs./5.80 lbs.
21971P #	21971 #				N/A			4.50 lbs./5.07 lbs.
C2060140P	C2060140		20"	8"	N/A			4.59 lbs./4.78 lbs.
2195P #(1)	2195 #*							24"
2196P	2196							

# ANSI C135.11

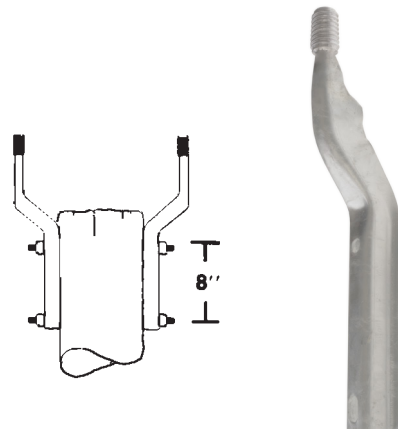
\* RUS Listed, b-pin, pole top, steel

(1) RUS Listing pending

## Offset Base Pins

Catalog Number - Lead Threads	Insulator Thread	Overall Length	Mounting Hole Spacing	Offset	Approx Ship Wt. per each
DP28P3	1" ANSI	21"	8"	4-1/2"	5.60 lbs.
†C2060271	1-3/8" ANSI				5.70 lbs.

†RUS listed, b-pin, pole top, steel.



### Pin, Bolt End Insulator

Designated for mounting pin insulators in transformer lead applications. Threaded end accepts 5/8" dim. bolt. 1" insulator thread is available in both standard duty and heavy duty designs.

Catalog Number	Insulator Thread	Overall Length	Accommodates Bolt Size	Approx. Ship Wt. per each
4258P	1" ANSI Nylon	5-1/4"	5/8"	0.80 lbs.
DP1A1	1" ANSI Lead	5"		0.80 lbs.
DP1A2	1-3/8" ANSI Lead	5"		1.30 lbs.



### Pin, Lag Screw Type

Pins have sharp gimlet-point threads and are used primarily for pole and transformer wiring. Forged steel, hot dip galvanized with 1" cast lead thread or molded nylon thread.

Catalog Number - Nylon Threads	Catalog Number - Lead Threads	Insulator Thread	Shank Thread Dia.	Shank Length	Shaft Length	Base Dia.	Approx Ship Wt. per each Nylon/Lead
	875	1" ANSI	1/2"	3"	6"	1-3/4"	1.10 lbs.
PS888P	PS888		5/8"		5"	2"	1.20 lbs. / 1.00 lbs.
	DP1L2				6"		1.26 lbs.



### PLATE, DOUBLE ARMING Center-Suspension Type

Attached to the crossarm through the slots provided. Suspension attachment is made through center hole. Hot dip galvanized.

Catalog No.	Dimensions in Inches		Approx. Ship Wt. Lbs. Per 100 Pcs.
	Steel Size	Overall Length	
†5819	1/4 x 4	17	460

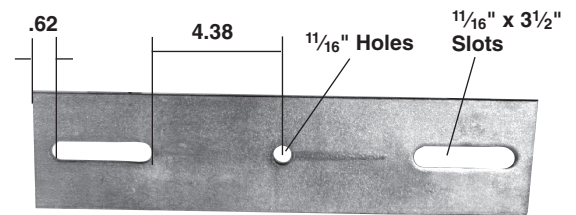
†RUS listed

#### For Clevis Connections

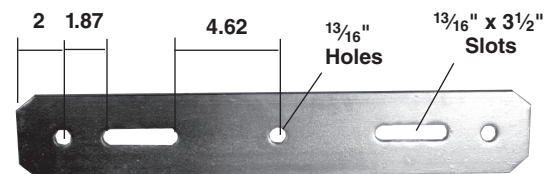
Used with forged steel insulator pins or suspension type insulators on wood or steel crossarms. Used with clevises having 3/4" or smaller bolts. Hot dip galvanized.

Catalog No.	Dimensions in Inches		Approx. Ship Wt. Lbs. Per 100 Pcs.
	Steel Size	Overall Length	
†5844	1/2 x 4	24	1200

†RUS listed



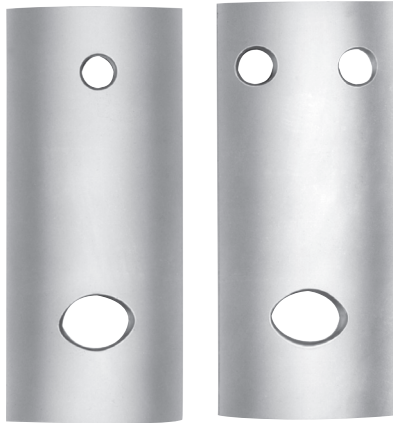
No. 5819



No. 5844



No. 4063

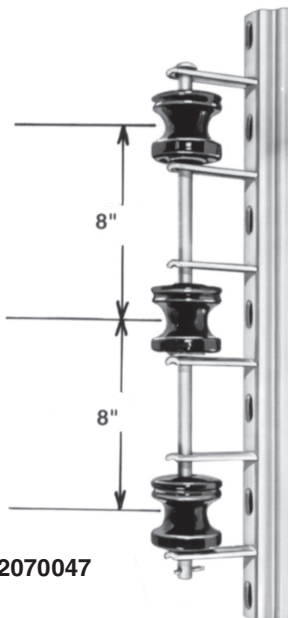


No. 7897

No. 7887



No. 6575



C2070047

## PLATES, CROSSARM REINFORCING

Reinforcing plates prevent damage to the crossarm from tightened nuts. Nos. 4045 and 4047 have a pressed rib and are normally used on the side of the crossarm to prevent the tightened nut from causing checking or splitting. No. 4063 is used on top or bottom of flat-top crossarms to impede the strain from forged steel pins.

Catalog No.	Dimensions in Inches			Approx. Ship Wt. Lbs. Per 100 Pcs.
	Steel Thickness	Crossarm Size	Hole Dia.	
4045	3/16	4 x 5	13/16	166
†4047	1/4	6 x 8	15/16	276
4063	7 Ga.	3 3/4 x 4 3/4	13/16	115

†RUS listed

## PLATES, LIFT AND LOAD

Used to protect poles on heavy down guying when Thimbleye, Angle-Thimbleye or Oval-Eye bolts are used through the pole. Hot dip galvanized.

Catalog No.	Description	Size Holes, Inches		Plate Size, Inches	Approx. Ship Wt. Lbs. Per 100 Pcs.
		Top	Bottom		
PS7887	2-Hole Lift	9/16	3/4 x 1	3/16 x 2 1/2 x 7	98
7888	2-Hole Lift	9/16	7/8 x 1	1/4 x 2 1/2 x 7	126
7897	3-Hole Lift	9/16	3/4 x 1	3/16 x 2 1/2 x 7	97
†7898	3-Hole Lift	9/16	7/8 x 1	1/4 x 2 1/2 x 7	126

†RUS listed

## PLATES, STRAIN

Strain Plates are used to prevent pole from being damaged by guy wire. Nail holes at corners are 3/16" diameter. Hot dip galvanized steel plates are formed to 5" radius.

Catalog No.	Type	Dimensions, Inches	Approx. Ship Wt. Lbs. Per 100 Pcs.
†*6575	Standard	4 x 8 x 14 Ga.	116

†RUS listed

\*NEMA Standard

## RACKS, SECONDARY

### Medium and Heavy Types

These racks have fabricated steel points that are permanently welded to the rack bases. The entire unit is hot dip galvanized.

Insulators are not included.

Catalog No.	No. of Wires	Dimensions in Inches			Approx. Ship Wt. Lbs. Per 100 Pcs.
		End Mtg. Hole Spacing	Overall Length., Back	Width of Back	

#### Medium Type, Extended Back, 12 Gauge

C2070049	2	16	18	27/8	460
C2070047*	3	24	26	27/8	660
C2070048*	4	32	34	27/8	880

#### Heavy Type, Nonextended Back, 9 Gauge

C2070050*	3	16	21 3/4	3 1/4	700
C2070051*	4	24	29 3/4	3 1/4	1020

#### Heavy Type, Extended Back, 9 Gauge

C2070052*	3	24	26	3 1/4	800
-----------	---	----	----	-------	-----

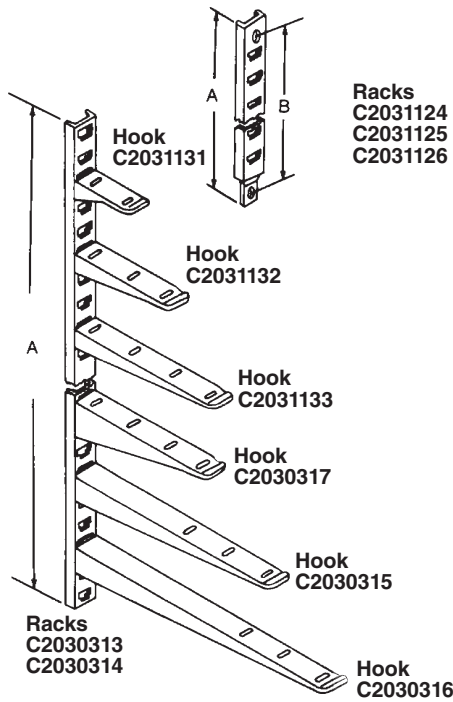
\*ANSI Standard

# RACKS, UNDERGROUND CABLE

## Channel-Steel Types

### Cable Racks

Hot dip galvanized racks with hook holes  $1\frac{1}{2}$ " apart. Fasten to manhole or interior walls with  $\frac{1}{2}$ " x 4" expansion bolts (not included). Mounting slots  $\frac{5}{8}$ " x  $\frac{3}{4}$ " at top and bottom of 15", 24" and 30" lengths overlap for assembly in combinations for overall length desired.



$1\frac{1}{2}$ " x  $\frac{9}{16}$ " x  $\frac{3}{16}$ " Channel Steel

Catalog Number	No. of Hook Holes	Dimensions		Wt. Per 100 Pcs.
		A	B	
†C2031124	8	15"	13 $\frac{1}{2}$ "	162
†C2031125	14	24"	22 $\frac{1}{2}$ "	230
†C2031126	18	30"	28 $\frac{1}{2}$ "	280
C2030313	37	55 $\frac{1}{4}$ "	—	570
C2030314	47	70 $\frac{1}{4}$ "	—	720

For extra clearance from wall, see Supports, Cable Rack, Page 5-43.

†RUS listed

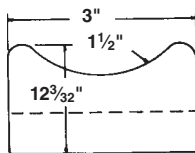
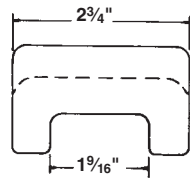
### Cable Rack Hooks

Hot dip galvanized hooks with rounded surfaces have  $\frac{3}{16}$ " x  $\frac{13}{16}$ " slots for lock clips, below. For hooks with 0.080" plasticized PVC coating for abrasion protection, contact Hubbell Power Systems, Inc. ServiCenter.

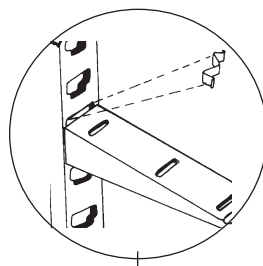
Catalog Number	Length from Face of Rack	Channel Steel Size, Inches	Wt. Per 100 Pcs.
†C2031131	4"	$1\frac{1}{2}$ x $1\frac{1}{8}$ x $\frac{3}{16}$	42
*C2030502	4"	$1\frac{1}{2}$ x $1\frac{1}{8}$ x $\frac{3}{16}$	42
†C2031132	7 $\frac{1}{2}$ "	$1\frac{1}{2}$ x $1\frac{1}{8}$ x $\frac{3}{16}$	96
*C2031128	7 $\frac{1}{2}$ "	$1\frac{1}{2}$ x $1\frac{1}{8}$ x $\frac{3}{16}$	108
†C2031133	10"	$1\frac{1}{2}$ x $1\frac{1}{8}$ x $\frac{3}{16}$	116
*C2031127	10"	$1\frac{1}{2}$ x $1\frac{1}{8}$ x $\frac{3}{16}$	136
C2030317	10"	$1\frac{1}{2}$ x $2\frac{1}{16}$ x $\frac{13}{64}$	175
†C2030315	14"	$1\frac{1}{2}$ x $1\frac{35}{64}$ x $\frac{3}{16}$	204
*C2030499	14"	$1\frac{1}{2}$ x $1\frac{35}{64}$ x $\frac{3}{16}$	204
†C2030316	18"	$1\frac{1}{2}$ x $1\frac{35}{64}$ x $\frac{3}{16}$	260
*†T2030500	18"	$1\frac{1}{2}$ x $1\frac{35}{64}$ x $\frac{3}{16}$	260

†RUS listed

\*Plasticized PVC coated



No. C2031120



No. L1100

### Cable Rack Insulator (White Glaze)

Catalog No.	Dimensions in Inches			Approx. Ship Wt. Lbs. Per 100 Pcs.
	Radius	Length Along Hook	Width	
C2031120	1 $\frac{1}{2}$	3	2 $\frac{3}{4}$	80

### Cable Rack Hook Lock Clip

Catalog No.	Material	Size, Inches	Approx. Ship Wt. Lbs. Per 100 Pcs.
L1100	Galvanized Steel	18 Ga. x $\frac{3}{8}$	2

## RACKS, UNDERGROUND CABLE Heavy Channel Steel Type

Made from 4" x 1<sup>19</sup>/<sub>32</sub>" x 3<sup>3</sup>/<sub>16</sub>" channel steel. Hot dip galvanized. Either expansion or anchor bolts can be used to mount them to the vault wall. Pressed-steel hooks have stops to keep insulators from sliding off. Mounting holes 3<sup>3</sup>/<sub>4</sub>" on all except C2030047 which has 5<sup>5</sup>/<sub>16</sub>" mounting holes.

### Cable Racks

Catalog No.	Dimensions in Inches				Approx. Ship. Wt. Lbs. Per 100 Pcs.
	No. of Slots	Hook Slot Spacing	Overall Length	Mtg. Hole Spacing	
R1473	3	8	24	16	1000
R1474	4	8	32	24	1400
R1476	6	8	48	40	2100
*C2030047	6	8	48	22 <sup>3</sup> / <sub>8</sub> & 40	2000

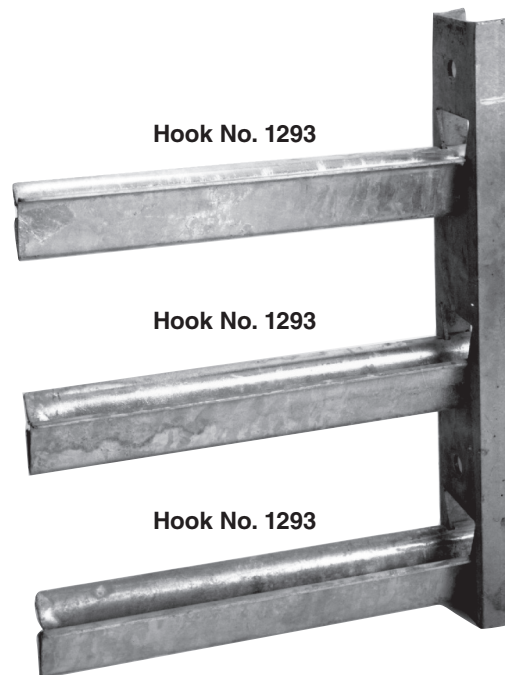
\*Same as R1476 except three mounting holes...lower two slotted.

### Cable Rack Hooks

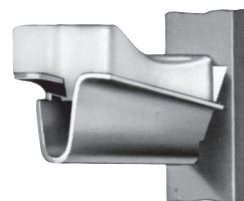
Catalog No.	No. of Insulators Accommodated	Dimensions in Inches		Steel Size	Approx. Ship. Wt. Lbs. Per 100 Pcs.
		Extension from Face of Rack	Overall Length		
1292	2	10 <sup>1</sup> / <sub>4</sub>	12	12 Ga.	244
1293	3	16 <sup>5</sup> / <sub>8</sub>	18	12 Ga.	340

### Cable Rack Insulators (White Glaze)

Catalog No.	Dimensions in Inches			Approx. Ship. Wt. Lbs. Per 100 Pcs.
	Radius for Cable	Overall Length	Overall Width	
1115	2 <sup>5</sup> / <sub>8</sub>	4 <sup>1</sup> / <sub>2</sub>	2 <sup>5</sup> / <sub>8</sub>	134



Rack No. R1473



Insulator No. 1115



## RACKS, UNDERGROUND CABLE

Vertical pinning of successive racks is permitted by an offset at each rack end. Racks are made of 2<sup>1</sup>/<sub>4</sub>" x 2<sup>1</sup>/<sub>4</sub>" x 1/4" steel T-section. Hot dip galvanized. Mounting holes and slot for fastening to manhole walls are designed to be used with or without insulators. Hooks supplied with 3/8" x 1<sup>1</sup>/<sub>2</sub>" cotter bolt and key, also available with plastisol coatings applied after galvanizing. Hot dip galvanized.

### Cable Racks

Catalog No.	No. of Hook Holes	Dimensions in Inches			Approx. Ship Wt. Lbs. Per 100 Pcs.
		Hook Hole Spacing	Overall Length	Mtg. Hole Spacing	
PS1225	14	1 <sup>1</sup> / <sub>2</sub>	27 <sup>1</sup> / <sub>2</sub>	25 <sup>1</sup> / <sub>2</sub>	840

### Cable Rack Hooks

Catalog Number		Dimensions in Inches		Approx. Ship Wt. Lbs. Per 100 Pcs.
Galvanized	Plastisol Coated	Extension from Rack Face	Steel Size	
1231	C2030084	6	9 Ga.	164
1232	C2030085	10 <sup>1</sup> / <sub>2</sub>	7 Ga.	308/340
1233	C2030086	15	7 Ga.	550/620

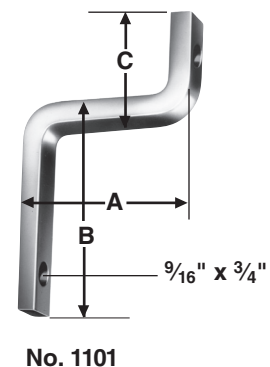
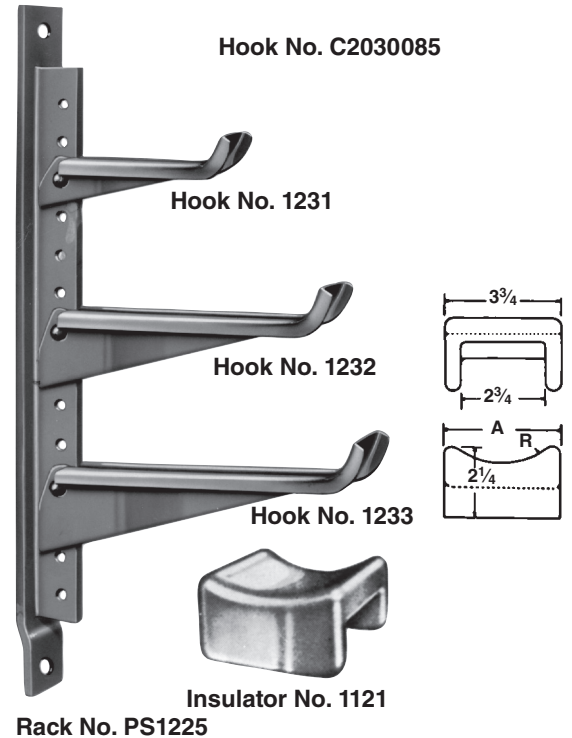
### Cable Rack Insulators (White Glaze)

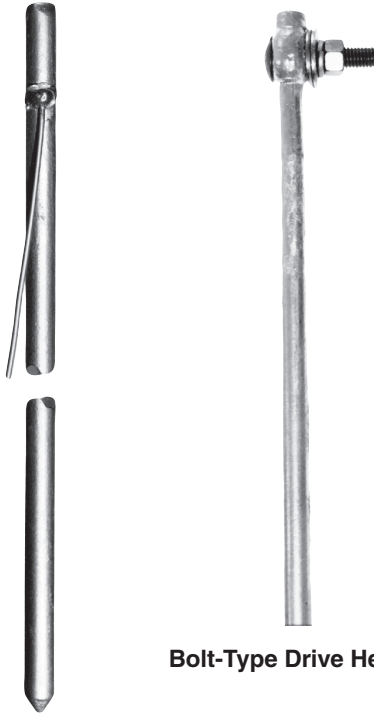
Catalog No.	Dimensions in Inches			Approx. Ship Wt. Lbs. Per 100 Pcs.
	Radius for Cable R	Length along Hook A	Width	
1121	2 <sup>5</sup> / <sub>8</sub>	3 <sup>3</sup> / <sub>4</sub>	3 <sup>3</sup> / <sub>4</sub>	138
1118	1 <sup>1</sup> / <sub>2</sub>	3	3 <sup>3</sup> / <sub>4</sub>	112

## SUPPORTS, CABLE RACK

Supports extend cable rack away from wall in order to avoid obstructions, escape water seepage, or because of limited space. Mounting holes take 1/2" bolts. Hot dip galvanized. Two supports required to mount each rack. See Racks, Underground Cable, above.

Catalog No.	Dimensions in Inches					Approx. Ship Wt. Lbs. Per 100 Pcs.
	A	B	C	Mtg. Hole Size	Steel Size	
1101	3 <sup>5</sup> / <sub>8</sub>	4 <sup>1</sup> / <sub>4</sub>	2 <sup>1</sup> / <sub>4</sub>	9/16	1/2 x 1	110
1102	6 <sup>9</sup> / <sub>16</sub>	5 <sup>3</sup> / <sub>4</sub>	2 <sup>3</sup> / <sub>8</sub>	9/16	1/2 x 1 <sup>1</sup> / <sub>4</sub>	252





Bolt-Type Drive Head

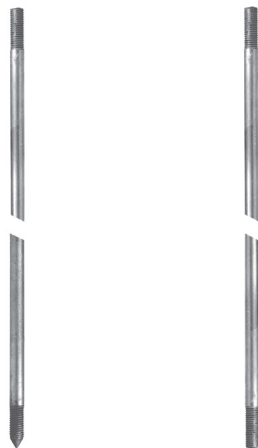
Standard  
with Electro-  
Brazed Pigtail

## RODS, GROUND, GALVANIZED

Ground Rods are available with or without copper wire. Made of high-carbon, open-heat steel for maximum strength. Hot dip galvanized. Does not bend when driven into hard soils. The electro-brazed pigtail is No. 6 tinned copper on  $\frac{5}{8}$ " and  $\frac{3}{4}$ " rod. Bolt-Type Drive Head Ground Rods have surfaces of head and integral clamp tinned. Hot dip galvanized steel rod. Non-ferrous bolt with lockwasher accommodates No. 3 to No. 8 stranded wire.

Standard	Catalog No.		Pigtail Approx. Length, Inches	Dia., Inches	Length Ft.	Approx. Ship Wt. Lbs. Per 100 Pcs
	Standard With Electro- Brazed Pigtail	Drive- Head Bolt- Type				
—	—	—	28	$\frac{1}{2}$	5	340
8565	—	—	18	$\frac{1}{2}$	5	340/350
8566	—	—	—	$\frac{1}{2}$	6	400
8576	—	—	—	$\frac{5}{8}$	6	600/626
†8578	†C2030107	†C2030377	48	$\frac{5}{8}$	8	800/860/820
—	—	T2030427	—	$\frac{5}{8}$	7	—
8580	—	—	—	$\frac{5}{8}$	10	1000
†8618	†C2030109	—	48	$\frac{3}{4}$	8	1200/1220
8620	—	—	—	$\frac{3}{4}$	10	1460
—	—	—	—	1	10	2670
—	—	—	15	$\frac{5}{8}$	15	1620

†RUS listed



No. 8512

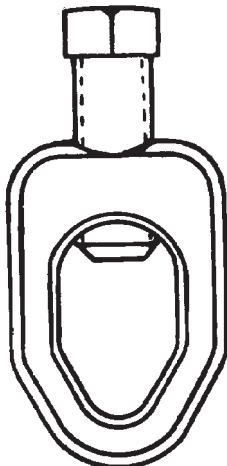
No. 8609

## ROD, GROUND, SECTIONAL GALVANIZED

Made of high-carbon steel as standard. All rods have a  $\frac{5}{8}$ " cut thread on top and bottom. Hot dip galvanized.

Cat. No	Description	Dimensions		Approx. Ship Wt. Lbs. Per 100 Pcs.
		Dia.	Length	
C2030227	Cone Point with $\frac{5}{8}$ " Thread	$\frac{5}{8}$ "	5'	520
†C2030052	Cone Point with $\frac{5}{8}$ " Thread	$\frac{5}{8}$ "	8'	860
†8512	Cone Point with $\frac{5}{8}$ " Thread	$\frac{5}{8}$ "	10'	1043
8609	Extension, $\frac{5}{8}$ " Thread, both ends	$\frac{5}{8}$ "	6'	625
†8611	Coupling for above	$\frac{5}{8}$ "	2"	18
C2030453	Threadless Sectional Rod	$\frac{5}{8}$ "	8'	800
C2030430	Threadless Sectional Rod	$\frac{5}{8}$ "	10'	1000
C2030458	Threadless Coupling	$\frac{5}{8}$ "	—	150

†RUS listed



## ROD, GROUND, CLAMP

Heavy duty forged steel clamps provide secure, low resistance connections. One piece bodies. Hot dip galvanized.  $\frac{1}{2}$ " square-head cup point set screw is hot dip galvanized.

Catalog No.	Rod Dia. Inches	Wire Dia. Min.	Wire Dia. Max.	Wt. Per 100 Pcs.
C2030344	$\frac{5}{8}$	.128	.460	34
C2030345	$\frac{3}{4}$	.128	.460	30

## SCREWS, LAG

Lag Screws of 1/4", 3/8" and 1/2" diameter have upset shoulders. Hot dip galvanized.

### Gimlet Point Type

Catalog No.	Dimensions in Inches		Approx. Ship. Wt. Per 100 Pcs
	Dia.	Length	
872112GP	1/4	1 1/2	2
8722GP	1/4	2	3.2
872212GP	1/4	2 1/2	4.4
DF1L3	1/4	3	5.6
DF3L3	3/8	3	9

### Fetter Drive Pilot-Point

Catalog No.	Dimensions in Inches		Approx. Ship. Wt. Per 100 Pcs
	Dia.	Length	
508743	3/8	3	10.4
508744	3/8	4	13.6
508753	1/2	3	19.6
†508754	1/2	4	24
508754 1/2	1/2	4 1/2	27
†508755	1/2	5	28

### Twist-Drive Pilot Point Type

†508500	1/2	4	22.8
---------	-----	---	------

†RUS listed



Gimlet Point Type



Fetter Drive Regular-Point



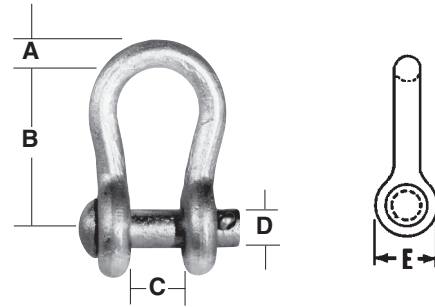
Twist-Drive Pilot Point

## SHACKLES, ANCHOR

Used principally for attaching suspension-insulator units to the pole. Drop forged. Hot dip galvanized. RUS Load Rating: 20,000 lbs.

Catalog No.	Dimensions in Inches					Approx. Ship. Wt. Lbs. Per 100 Pcs
	A	B	C	D	E	
†5801	1/2	2 1/2	3/4	5/8	1 5/8	93

†RUS listed



No. 5801

## SIDEWALK GUY FITTINGS

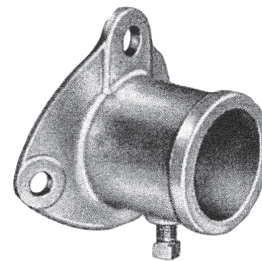
These fittings are used along sidewalks or near buildings where space is not available for standard guying. No. 0501 Pole Plate is attached with one 5/8" bolt and two 1/2" lag screws. No. 0502 and 0512 End Fittings clamp the strand. All fittings are hot dip galvanized.

Catalog No.	Description	Pipe, Inches	Approx. Ship. Wt. Lbs. Per 100 Pcs
†0501	Pole Plate	2	455
†0502	End Fitting w/Clamp	2	495
†0512	End Fitting w/Double Clamp	2	620

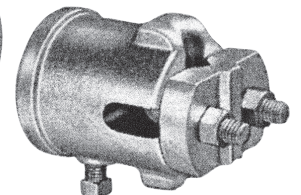
†RUS listed



No. 0512



No. 0501



No. 0502

## SLEEVES, SERVING

For holding down the loose end of guy strand projecting beyond the guy clamp. Chance Serving Sleeves, which have a flared end to speed application, are faster to apply than wire-wrap sleeves. Hot dip galvanized.



No. 6456

Cat. No.	Strand Size Inches	Length, Inches Overall	Approx. Ship Wt. Lbs. Per 100 Pcs.
6452	1/4	1 <sup>3</sup> / <sub>8</sub>	2.8
†6453	<sup>5</sup> / <sub>16</sub>	1 <sup>1</sup> / <sub>2</sub>	5.9

†RUS listed

Cat. No.	Strand Size Inches	Length, Inches Overall	Approx. Ship Wt. Lbs. Per 100 Pcs.
†6454	<sup>3</sup> / <sub>8</sub>	1 <sup>3</sup> / <sub>4</sub>	7.3
†6455	<sup>7</sup> / <sub>16</sub>	2	12
†6456	<sup>1</sup> / <sub>2</sub>	2 <sup>1</sup> / <sub>4</sub>	13



No. 2237

## SPACER, PIPE

Used with No. 2157 Pole Top Pin Brackets for greater rigidity.

Catalog No.	Description	Length, Inches	Pipe, Inches	Approx. Ship Wt. Lbs. Per 100 Pcs.
†2237	Spacer	1 <sup>1</sup> / <sub>2</sub>	<sup>3</sup> / <sub>4</sub> I.D.	16

†RUS listed

# Staples

Used to secure ground wire and ground wire molding to wood poles.



† RUS listed  
 \* ANSI Standard  
 ‡ RUS Listing Pending

Staple Type	Dimensions (Inches) Length x Inside Width x Wire Dia.	FINISH							
		ELECTRO ZINC Catalog No.		GALVANIZED Catalog No.		COPPER COATED Catalog No.		BRIGHTWIRE Catalog No.	
		Qty per carton /inner pkg.	Approx. Wt. (lbs.) per 100	Qty per carton /inner pkg.	Approx. Wt. (lbs.) per 100	Qty per carton /inner pkg.	Approx. Wt. (lbs.) per 100	Qty per carton /inner pkg.	Approx. Wt. (lbs.) per 100
<b>Barbed</b> 	1-1/2 x 3/8 x .131			<b>C2050460</b> ‡ 1750/350 1.4					
	1-1/2 x 3/8 x .140					<b>C2050464</b> ‡ 1500/300 1.7			
	2 x 3/8 x .131			<b>C2050461</b> 1300/260 1.9					
	2 x 5/8 x .165			<b>C2050463</b> 800/160 3.2					
	3 x 1-1/16 x .218			<b>C2050462</b> ‡ 300/60 8.3					
<b>Rolled</b> (Diamond) Point 	1 x 1/4 x .114					<b>C2050223</b> 5000/500 0.5			
	1 x 5/16 x .120	<b>7511</b> 1000/100 0.5		<b>C2050213</b> 1000/100 0.5					
	1-1/4 x 1/4 x .114					<b>C2050224</b> 5000/500 0.6			
	1-1/2 x 5/16 x .144					<b>C2050225</b> 2500/500 1.2			
	1-1/2 x 3/8 x .148	<b>C2050207</b> 1000/100 1.4		<b>C2050214*</b> 1000/100 1.4				<b>C2050235</b> 1000/100 1.4	
	1-3/4 x 3/8 x .144					<b>9153</b> 2500/500 1.4			
	1-3/4 x 3/8 x .148	<b>C2050208</b> 1000/100 1.5		<b>C2050215*</b> 1000/100 1.5					
	2 x 1/2 x .162	<b>7512</b> 1000/100 2.2		<b>C2050216*†</b> 1000/100 2.2		<b>9154</b> 1000/100 2.2		<b>C2050237</b> 1000/100 2.2	
	2 x 5/8 x .162	<b>C2050209</b> 1000/100 2.3		<b>C2050217</b> 1000/100 2.3		<b>C2050226</b> 1000/100 2.3			
	2 x 5/8 x 3/16	<b>C2050210</b> 1000/100 3.2		<b>C2050218</b> 1000/100 3.2					
	2 x 1-1/16 x 3/16	<b>7513</b> 1000/100 3.1		<b>C2050219*</b> 1000/100 3.1		<b>C2050229</b> 1000/100 3.1			
	2-1/4 x 25/32 x 3/16					<b>C2050227</b> 1000/100 3.4			
	2-1/2 x 1-1/16 x 3/16					<b>C2050230</b> 1000/100 4.0			
	3 x 1 x 1/4					<b>C2050232</b> 500/100 8.0			
	3 x 1-1/16 x 1/4	<b>7522</b> 500/100 8.0		<b>C2050220</b> 500/100 8.0		<b>9161 †</b> 500/100 8.0			
	3 x 1-1/2 x 1/4	<b>C2050211</b> 500/100 8.0		<b>C2050221</b> 500/100 8.0		<b>C2050233</b> 500/100 8.0		<b>C2050242</b> 500/100 8.0	
	3-1/2 x 1-3/4 x 1/4	<b>C2050212</b> 250/100 9.5		<b>C2050222</b> 250/50 9.5					
<b>Cut</b> (Slash) Point 	1-1/4 x 3/16 x .114					<b>C2050245</b> 6700/NA 0.7			
	1-3/8 x 1/2 x .162					<b>C2050244</b> 3100/NA 2.0			
	1-1/2 x 1/4 x .148	<b>751134</b> 3600/NA 2.0		<b>C2050247 †</b> 3600/NA 2.0					
	1-1/2 x 3/8 x .162					<b>9167 †</b> 2900/NA 2.0			
	2 x 1/2 x .162					<b>9169</b> 2200/NA 2.0			

## STEPS, POLE

Steps are made from hot-rolled open-hearth steel. Hot dip galvanized. Standard Drive Hook type has fetter drive thread and pilot point for easy starting.

Catalog No.	Type Head	Size Inches	Approx. Ship Wt. Lbs. Per 100 Pieces
*506125	Hook	5/8 x 10	92

\*NEMA Standard

### Detachable Type

Steps make a neat appearance and deter unauthorized pole climbing. Installed by placing plate over lag until plate cuts into pole. Nail driven into bottom hole gives extra rigidity. Step fits on lag head. Order lags and steps separately.

#### Detachable Type — Wood Pole

Catalog No.	Description	Approx. Ship Wt. Lbs. Per 100 Pieces
*PS6235	Lag & Plate	60
*PS6236	Step	64

\*NEMA Standard

#### Detachable Type — Metal Pole

T2050425	Bolt & Plate	58
T2050426	Bolt - Plate - Step	122

### Ladder-Rung Type, Detachable

Detachable Rung used on metal poles.

Catalog No.	Description	Approx. Ship Wt. Lbs. Per 100 Pieces
FT70025	Ladder-Rung step	900

### Standard Type, Detachable

Fabricated-steel step is hot-dip galvanized. Removable to help prevent unauthorized climbing access, each step has an upturned tab to help keep foot in place.

Catalog No.	Description	Approx. Ship Wt. Lbs. Per 100 Pieces
J600007	Standard step	76

## STRAP, REINFORCING

Used as additional support in attaching cable suspension clamps to pole for heavy loads.

Catalog No.	Dimensions in Inches				Approx. Ship Wt. Lbs. Per 100 Pieces
	A	R	D	W	
7905	11/16	7/8	11/16	1 1/2	41



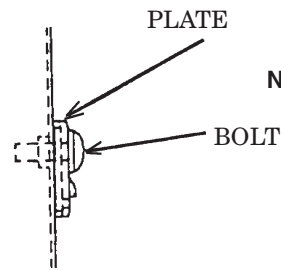
No. 506125



No. 6235

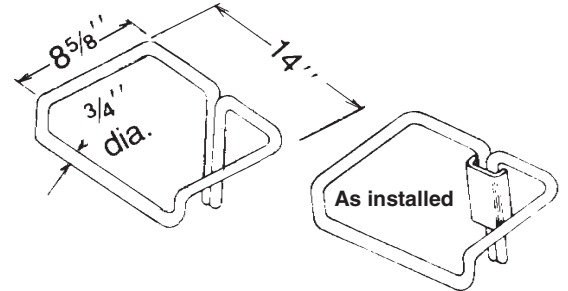


No. PS6236

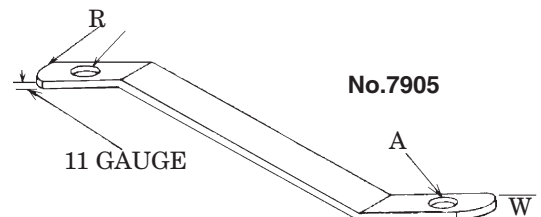
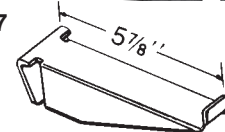


No. T2050425

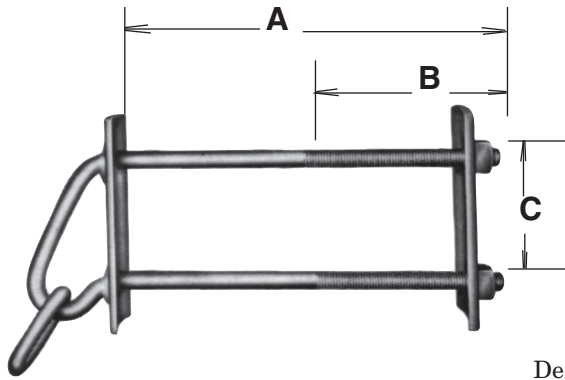
Cat. No. FT 70025



Cat. No. J600007



No. 7905


**No. 5432**

## SUPPORTS, STATIC WIRE

Designed to carry static wires. Load plate is welded to the rods, while the back plate can be adjusted to fit the pole. Hot dip galvanized. Includes 1/2" link for wire-clamp attachment.

Catalog No.	Dimensions in Inches		Approx. Ship Wt. Lbs. Per 100 Pcs.	A	B	C
	For Pole Diameter	Steel Size				
†5432	8 to 10	5/8	630	11 <sup>3</sup> / <sub>4</sub>	6	4
†5433	10 to 12	5/8	646	13 <sup>3</sup> / <sub>4</sub>	6	4
5434	12 to 14	5/8	660	15 <sup>3</sup> / <sub>4</sub>	6	4

†RUS listed

## TEE, DEADEND

High tension attachment used on poles, crossarms or bracing for connections to clevises, shackles, insulators and other attachment hardware.



Features: Flat back design  
Chamfered stem hole  
60,000 lbs. minimum ultimate tensile strength

Material: Forged Steel  
Galvanized per ASTM A-153

Catalog No.	Stem Hole Dia. (in)	Mounting Bolt Hole Dia. (2 Places) (in)	Mounting Hole Spacing (in)	Minimum Ultimate Tensile Strength (lbs)	Approx. Ship Wt. per Each (lbs)
PSC2030531	1-1/8"	15/16"	6	60,000.	6.45
PSC2030532	1-1/8"	1-1/16"	6	60,000	6.45
PSC2030508	1-1/4"	13/16"	6	60,000	6.45
PSC2030529	1-1/4"	15/16"	6	60,000	6.45
PSC2030530	1-1/4"	1-1/16"	6	60,000	6.45

## THIMBLES, GUY WIRE

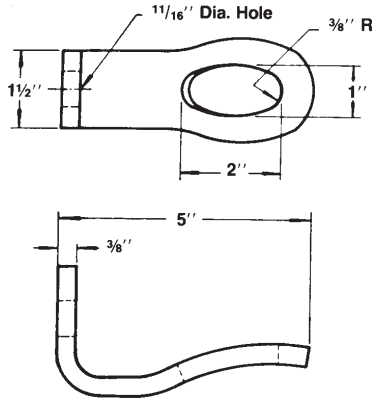
Chance Guy-Wire Thimbles are primarily used with Ovaley anchor rods and bolts. Grooved to fit various strand sizes, they are made from crescent-shaped stock to prevent abrupt, strand-weakening kinks. Open end for slipping over rod or eye. Hot dip galvanized steel.


**No. 6593**

Cat. No.	Dim. in Inches		Approx. Wt. Lbs. Per 100 Pcs.
	Strand Size	Size of Guy Rod Clearance	
6593	3/8	1/2 and 5/8	8.2

†RUS listed

Cat. No.	Dim. in Inches		Approx. Wt. Lbs. Per 100 Pcs.
	Strand Size	Size of Guy Rod Clearance	
†6594	1/2	5/8 and 3/4	15.6
†6595	5/8	1	40



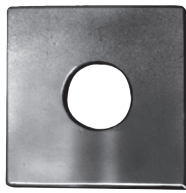
## TONGUE, DEADEND

This forged steel deadend tongue may be used with virtually all strain insulator clevises and clevis type suspension insulators. Hot dip galvanized.

Catalog No.	Dimensions in Inches			Approx. Ship Wt. Lbs. Per 100 Pcs.
	Length	Hole Dia.	Steel Size	
C2030385	5	1 x 2	3/8	120



Curved



Square



Round

## WASHERS Galvanized Square Curved Washers

Catalog No	Dimensions in Inches			Approx. Ship Wt. Lbs. Per 100 Pcs.
	Washer Size	Hole Dia.	Bolt Dia.	
*680912	4 x 4 x 1/4	15/16	7/8	120
*681012	2 1/4 x 2 1/4 x 3/16	11/16	5/8	31
PS6822	2 1/2 x 2 1/2 x 3/16	11/16	5/8	36
*682212	3 x 3 x 1/4	13/16	3/4	66
6823	3 x 3 x 1/4	7/8	3/4	62
*682312	3 x 3 x 1/4	11/16	5/8	62
6825	3 1/4 x 3 1/4 x 1/4	13/16	3/4	76
DF4W15	4 x 4 x 3/16	13/16	3/4	82

### Square Washers

*6811	2 x 2 x 1/8	9/16	1/2	13
*6812	2 x 2 x 1/8	11/16	5/8	12
*6813	2 1/4 x 2 1/4 x 3/16	11/16	5/8	24
†*6814	2 1/4 x 2 1/4 x 3/16	13/16	3/4	23
6816	3 x 3 x 3/16	13/16	3/4	51
†*6817	3 x 3 x 1/4	13/16	3/4	64
†6818	4 x 4 x 3/16	13/16	3/4	87
*681812	4 x 4 x 1/4	7/8	3/4	120
*6819	4 x 4 x 1/4	15/16	7/8	118
†681912	4 x 4 x 1/2	13/16	3/4	236
6820	4 x 4 x 1/2	1 1/8	1	228

### Round Washers

*PS6801	1 O.D. x 14 Ga.	7/16	3/8	1.64
†*PS6802	1 1/4 O.D. x 14 Ga.	9/16	3/8	2.84
†*PS6803	1 3/8 O.D. x 12 Ga.	9/16	1/2	4.50
†*6805	1 3/4 O.D. x 10 Ga.	11/16	5/8	8.50
*6806	2 O.D. x 9 Ga.	13/16	3/4	11.80

\*NEMA Standard  
†RUS listed



Spring Clip



Double Coil Spring



Spring Lock

## Spring Clip Washers

Catalog No	Stock	Dimensions in Inches		Approx. Ship Wt. Lbs. Per 100 Pcs.
		Hole Size	Bolt Size	
3539	5/32" x 1"	9/16	1/2	22
†3540	1/4" x 1 3/4"	11/16	5/8	93
†3541	1/4 x 1 3/4"	13/16	3/4	91
C2050436	1/4 x 1 3/4"	15/16	7/8	89

## Spring Lock Washers

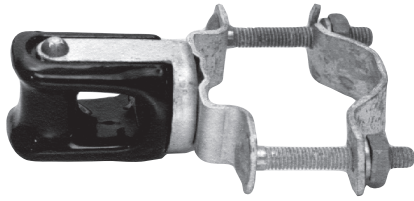
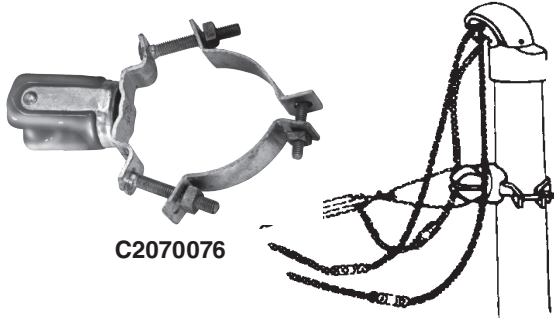
DF7W1	1/8 x 3/32	7/16	3/8	1.0
4035	11/64 x 1/8"	9/16	1/2	1.5
4036	13/64 x 5/32	11/16	5/8	2.4
4037	1/4 x 3/16	13/16	3/4	4.8

## Double Coil Spring Lockwasher

C2050185	5/32" x 1"	9/16	1/2	4
C2050186	3/16" x 1 3/16"	11/16	5/8	6.6
C2050187	7/32" x 1 3/8"	13/16	3/4	10.40
C2050188	7/64" x 3/4"	7/16	3/8	1.50

†RUS listed




**C2070075**

**C2070076**

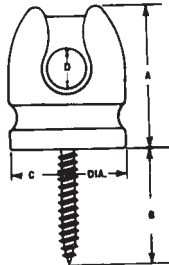
## WIREHOLDERS

### Universal Service Type

These two pipe mounting wireholders will together accommodate a range of pipe sizes from 1<sup>1</sup>/<sub>4</sub>" to 4". Heavy cup-base and strap is a single steel stamping, to which clamp is rigidly assembled and hot dip galvanized. Insulator and strap-base are assembled with a solid-copper rivet. Two carriage bolts are wedged rigidly into the wireholder base on both models. The C2070075 clamp section is slotted so nuts need never be removed.

Catalog No. Sky-Glaze	Pipe Sizes	Wire Hole	Approx. Ship Wt. Lbs. Per 100 Pcs.
*†C2070075	1 <sup>1</sup> / <sub>4</sub> ", 1 <sup>1</sup> / <sub>2</sub> ", 2", 2 <sup>1</sup> / <sub>2</sub> "	1" Dia.	156
*†C2070076	3", 3 <sup>1</sup> / <sub>2</sub> ", 4"	1" Dia.	150

\*NEMA Standard  
†RUS listed


**No. 0607**

**No. 0623**

Insulator Process: Dry, gray glaze.

Catalog No.	Size of Screw or Bolt, Inches	Dimensions in Inches				Approx. Ship Wt. Lbs. Per 100 Pcs.
		A	B	C	D	
0623	No. 22 x 2 <sup>1</sup> / <sub>4</sub> Galv. Wood Screw	3	2 <sup>1</sup> / <sub>4</sub>	2	5/8 x 3/4	66
0607	No. 22 x 2 <sup>1</sup> / <sub>4</sub> Galv. Wood Screw	3 <sup>1</sup> / <sub>8</sub>	2 <sup>1</sup> / <sub>4</sub>	2 <sup>1</sup> / <sub>2</sub>	1	74
0618	No. 14 x 1 <sup>1</sup> / <sub>2</sub> Cadmium-plated Wood Screw	2	1 <sup>1</sup> / <sub>16</sub>	1 <sup>3</sup> / <sub>8</sub>	1/2	25


**No. 31144**

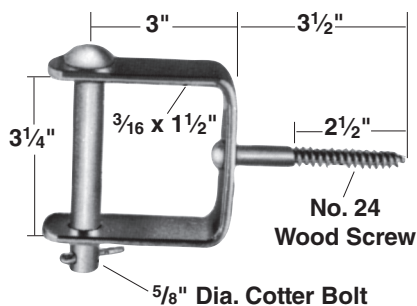
**No. 0618**

### Reinforced Wireholders

Single-point wireholders are strong and compact. Heavy cup-base and strap is a single steel stamping, to which the screw is rigidly assembled. Hot dip galvanized. Insulator and strap base are assembled with solid-copper rivet.

Catalog No.	Size of Screw or Bolt, Inches	Hole Dia. In.	Approx. Ship Wt. Lbs. Per 100 Pcs.
†31144	No. 22 x 2 <sup>1</sup> / <sub>4</sub> Galv. Wood Screw	1	68
31145	No. 22 x 3 Galv. Wood Screw	1	72
31146	No. 22 x 4 Galv. Wood Screw	1	76

†RUS listed



### Clevis-Type Wireholders

For use with triplex-type service cable, the No. 0192 Clevis takes one NEMA 53-2 spool insulator. Insulators must be ordered separately.

Catalog No.	For Insulators	Dimensions in Inches		Approx. Ship Wt. Lbs. Per 100 Pcs.
		Mtg. Screw Size	Steel Size	
†0192	NEMA 53-2	No. 24 x 3 <sup>1</sup> / <sub>2</sub>	3/16 x 1 <sup>1</sup> / <sub>2</sub>	142

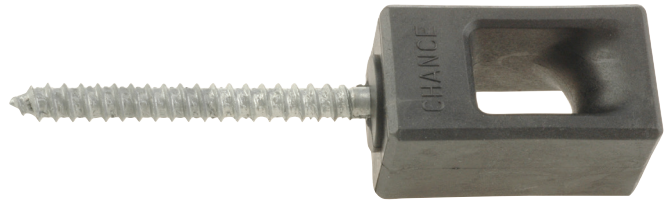
†RUS listed

# Wireholders

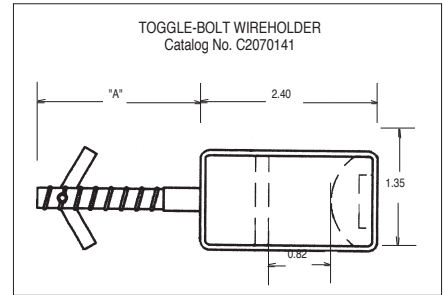
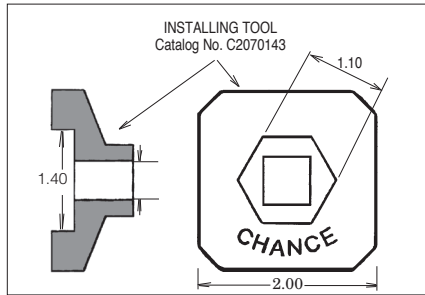
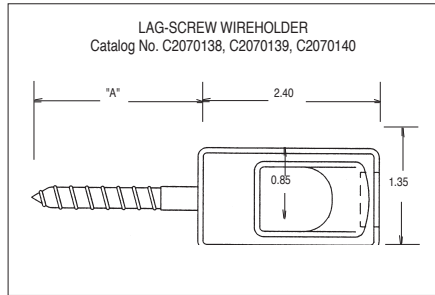
- UV stabilized
- Glass reinforced
- Nylon alloy
- Galvanized screw

The Chance nylon alloy wireholder is offered as a direct replacement for porcelain wireholders. It has greatly increased fracture resistance, comparable insulation and increased ease of installation.

The flat top will let you start lag-screw wireholders using a hammer. Universal installing tool is available for powered installations. Toggle-bolt wireholder C2070141 requires 7/8" hole for installation.



For an introductory period, each box will have two installation tools included with lag-screw wireholders. Installation tool is durable for reusability.



## Screw-Type Wireholders

Catalog Number	Screw Diameter (inches)	"A" Length (inches)	Approx. Wt. (lb. per 100 pieces)
†C2070138	5/16 Lag	2 1/4	24
C2070139	5/16 Lag	2 3/4	26
C2070140	5/16 Lag	3 3/4	28
C2070143	Tool	—	—

Toggle-Bolt Wireholder:

C2070141	5/16 UNC-2A	3 3/4	28
----------	-------------	-------	----

†RUS Listed



C2070144

## Clamp-Type Wireholders

Catalog Number	Pipe Sizes (inches)	Approx. Wt. (lb. per 100 pieces)
C2070144	1 1/4 – 2 1/2	114
C2070145	3 – 4	128



C2070145





**HUBBELL**<sup>®</sup>  
**Power Systems, Inc.**

• 210 N. Allen St. • Centralia, MO 65240 • (573) 682-5521

NOTICE: For the latest revision of our Catalog and Literature, click here or visit our web site: [www.hubbellpowersystems.com](http://www.hubbellpowersystems.com)

NOTE: Hubbell has a policy of continuous product improvement. We reserve the right to change design and specifications without notice. ©Copyright 2017 Hubbell Incorporated