

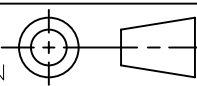
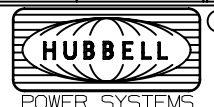


"A"  
(4 PLACES)

NOTES:

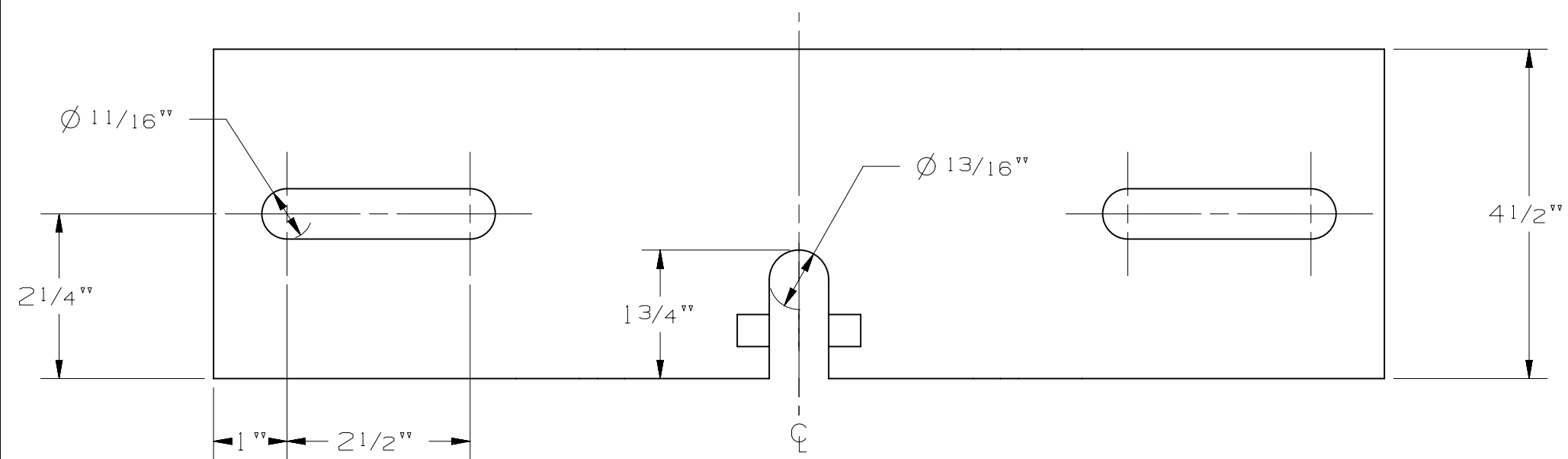
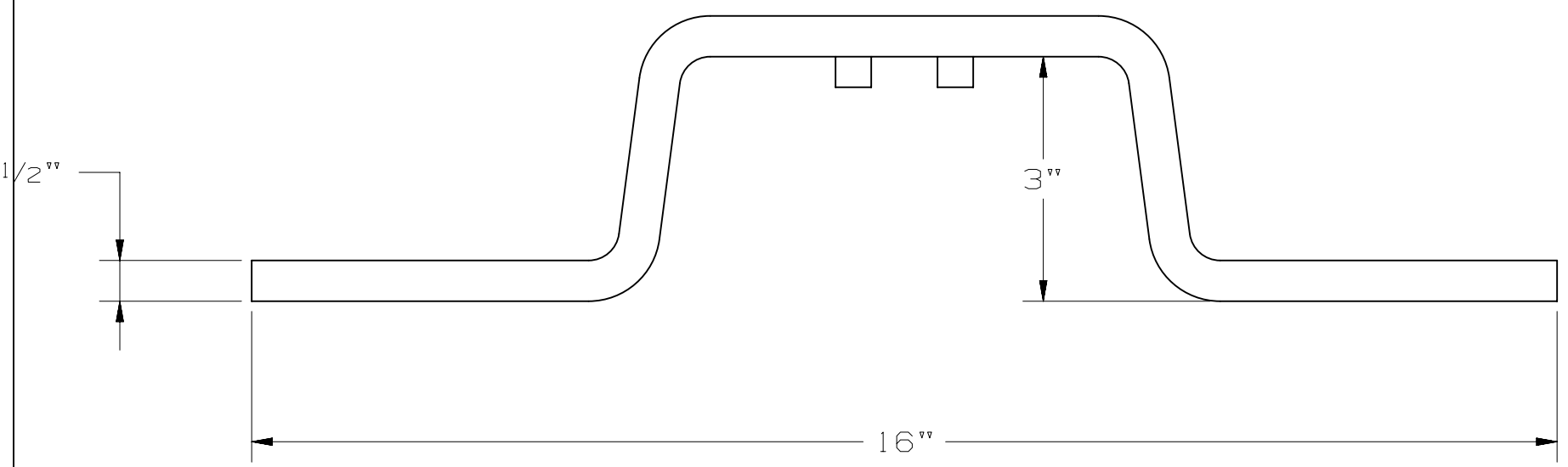
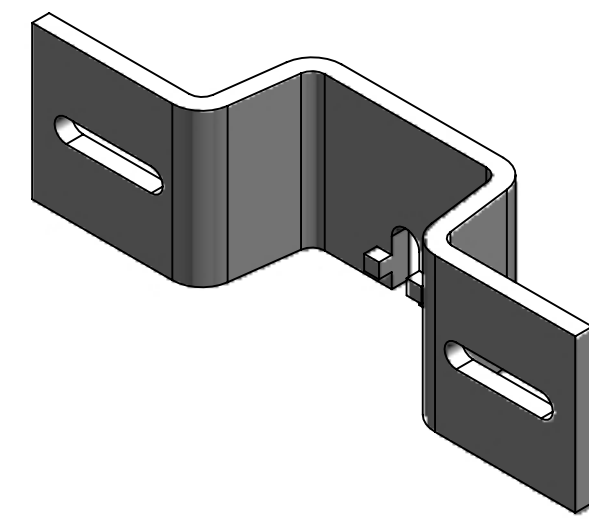
- 1.) MATERIAL: STEEL  
FINISH: HOT DIP GALVANIZED  
PER ASTM A153.
- 2.) SHIPPED AS PAIRS ASSEMBLED  
AS SHOWN.

PAGE 1 OF 3

CATALOG NUMBER	"A"
C2110058	5/8" X 1.75" SQ. HEAD MACHINE BOLT W/ROUND WASHER
PSC2110069	5/8" X 2" SQ. HEAD MACHINE BOLT W/SPLIT RING LOCKWASHER
PSC2110071	5/8" X 1.75" SQ. HEAD GRADE 5 MACHINE BOLT W/ROUND WASHER

LATEST EC NO:		REV.	DATE	CHANGED BY	RESP ENGINEER
---		C	08/13/15	WILSON	WILSON
				DO NOT SCALE THIS DWG	THIRD ANGLE PROJECTION 
				ISO DUAL DIMENSIONS IN=INCH, MM=MILLIMETER	
DRN BY:	DATE	TITLE:			SIZE
JUL	02-11-10	ADAPTER PLATE ASSEMBLY			B
					DWG NO: SA211-0069

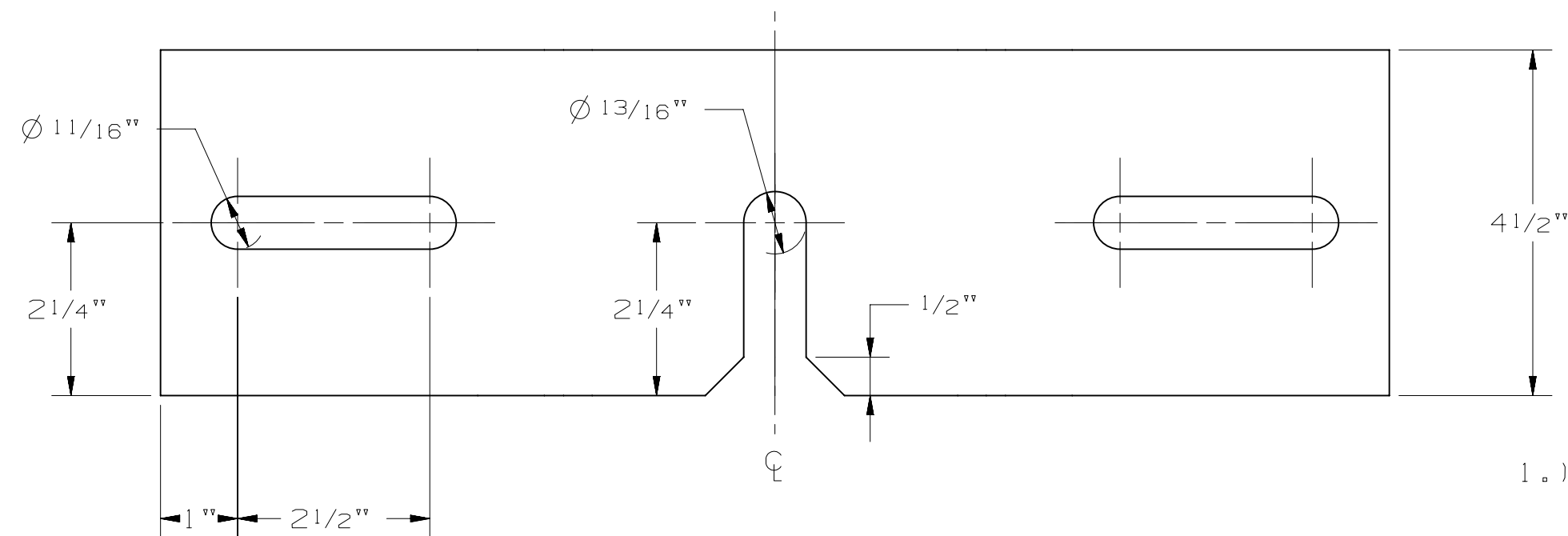
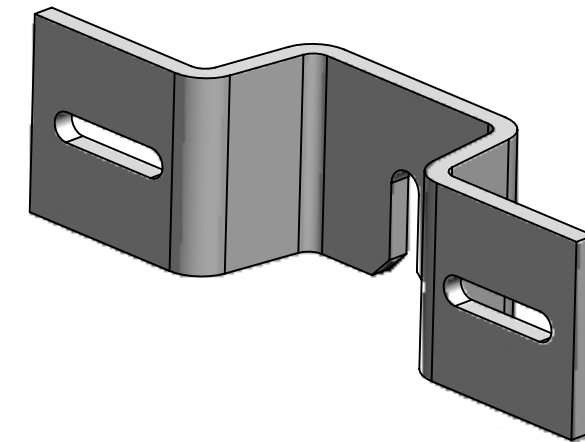
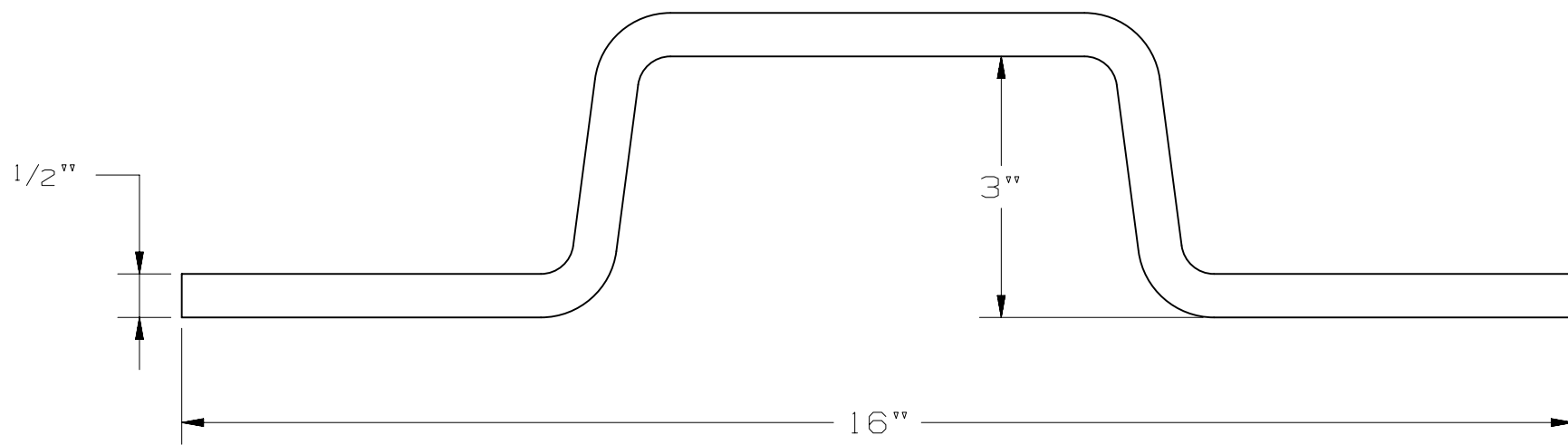
CONFIDENTIAL: THIS DRAWING AND ITS CONTENTS ARE CONFIDENTIAL AND THE EXCLUSIVE PROPERTY OF HUBBELL / A.B. CHANCE COMPANY. NO PUBLICATION, DISTRIBUTION OR COPIES MAY BE MADE WITHOUT WRITTEN CONSENT BY HUBBELL / A.B. CHANCE COMPANY. © 2001 HUBBELL/A.B. CHANCE. UNPUBLISHED - ALL RIGHTS RESERVED UNDER THE COPYRIGHT LAWS



NOTE :  
 1.) PART IS SYMMETRIC ABOUT CENTERLINE.

LATEST EC NO:		REV.	DATE	CHANGED BY	RESP ENGINEER
---		C	08/13/15	WILSON	WILSON
				DO NOT SCALE THIS DWG	THIRD ANGLE PROJECTION
				ISO DUAL DIMENSIONS IN=INCH, MM=MILLIMETER	
DRN BY:	DATE	TITLE:			SIZE
JUL	02-11-10	ADAPTER PLATE			B
				DWG NO: SA211-0069	

CONFIDENTIAL: THIS DRAWING AND ITS CONTENTS ARE CONFIDENTIAL AND THE EXCLUSIVE PROPERTY OF HUBBELL / A.B. CHANCE COMPANY. NO PUBLICATION, DISTRIBUTION OR COPIES MAY BE MADE WITHOUT WRITTEN CONSENT BY HUBBELL / A.B. CHANCE COMPANY.  
 © 2001 HUBBELL/A.B. CHANCE. UNPUBLISHED - ALL RIGHTS RESERVED UNDER THE COPYRIGHT LAWS



NOTE :

1.) PART IS SYMMETRIC ABOUT CENTERLINE.

PAGE 3 OF 3

LATEST EC NO:		REV.	DATE	CHANGED BY	RESP ENGINEER
---		C	08/13/15	WILSON	WILSON
				DO NOT SCALE THIS DWG	THIRD ANGLE PROJECTION
				ISO DUAL DIMENSIONS IN=INCH, MM=MILLIMETER	
DRN BY:	DATE	TITLE:			SIZE
JUL	02-11-10	ADAPTER PLATE			B
				DWG NO: SA211-0069	

CONFIDENTIAL: THIS DRAWING AND ITS CONTENTS ARE CONFIDENTIAL AND THE EXCLUSIVE PROPERTY OF HUBBELL / A.B. CHANCE COMPANY. NO PUBLICATION, DISTRIBUTION OR COPIES MAY BE MADE WITHOUT WRITTEN CONSENT BY HUBBELL / A.B. CHANCE COMPANY. © 2001 HUBBELL/A.B. CHANCE. UNPUBLISHED - ALL RIGHTS RESERVED UNDER THE COPYRIGHT LAWS