

IEC Pin and Sleeve

30A, 3 Phase, 480V, 3 Pole, 4 Wire

Watertight Plug

Features

- One piece non-metallic housing provides impact and chemical resistance in an insulated body
- Solid one-piece pins for reliable electrical contact
- Gasketed sealing ring provides watertight seal
- Heavy duty external cord grips for maximum cord retention

Ordering Information

| Description | UPC | Catalog Number |
|---|--------------|----------------|
| Watertight IEC Pin and Sleeve Mating Plug | 783585405223 | HBL516P6W |

Listings

UL Listed, File E146032
CSA Standard C22.2 No. 182.1
UL Classified to IEC60309-1

Specifications

| | |
|-----------------|-----------------------|
| Housing | PBT |
| Locking Ring | PBT |
| Sealing Gasket | Solid Neoprene |
| Retainer | High-Impact Thermoset |
| Terminal Screws | Stainless Steel |

Performance

| | |
|-------------------------|--|
| Electrical | |
| Current Interrupting | Certified for current interrupting at full rated current |
| Dielectric Voltage | Withstands 3,000V AC Min |
| Max. Working Voltage | 600V AC RMS |
| Mechanical | |
| Impact Resistance | Per CSA C22.2 No.182.1 /UL1682 |
| Product Identification | Identification and ratings are a permanent part of the device housing. |
| Terminal Identification | Terminals identified in accordance with North American and IEC conventions |
| Environmental | |
| Flammability | V-0 |
| Ingress Protection | 3R,3RX,4X,IP68,IP69K |
| Moisture Resistance | IEC 60309-1 |
| Operating Temperature | Maximum Continuous 75°C; Minimum - 40°C w/o impact |

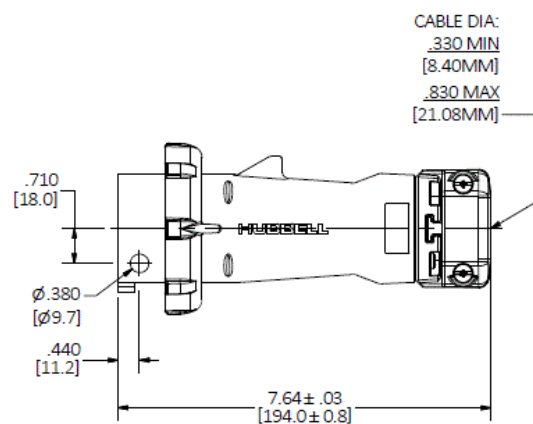
Complementary Products

Closure Cap
Cord Clamp and Locking Ring
Liquidtight Adapters

Online Resources

Customer Sales Drawing
eCatalog
Installation Instructions

HUBBELL



Dimensions in Inches (mm)

Hubbell Wiring Device-Kellems • Hubbell Incorporated (Delaware) • 40 Waterview Drive • Shelton, CT 06484

Phone (800) 288-6000 • Fax (800) 255-1031 • Specifications subject to change without notice.

