

IEC Pin and Sleeve

60A, 3 PhaseY 277/480V, 4 Pole, 5 Wire

Watertight Plug

Features

- UL Type 4X, 12 and IP69k environmental ratings
- One piece non-metallic housing provides impact and chemical resistance in an insulated body
- Watertight neoprene gland seal to prevent water ingress from entering at cable entrance
- Solid one-piece pins for reliable electrical contact
- Sequential contact engagement to prevent a momentary over-voltage

Ordering Information

Description	UPC	Catalog Number
Watertight IEC Pin and Sleeve Mating Plug	783585405698	HBL560P7W

Listings

UL Listed, File E146033
CSA Certified File LR280C
Listed to standard UL1682

Specifications

Housing	PBT
Locking Ring	PBT
Sealing Gasket	Solid Neoprene
Contact Carrier	High-Impact Thermoset
Glands	Santoprene
Terminal Screws	Stainless Steel
Cord Clamps	PBT

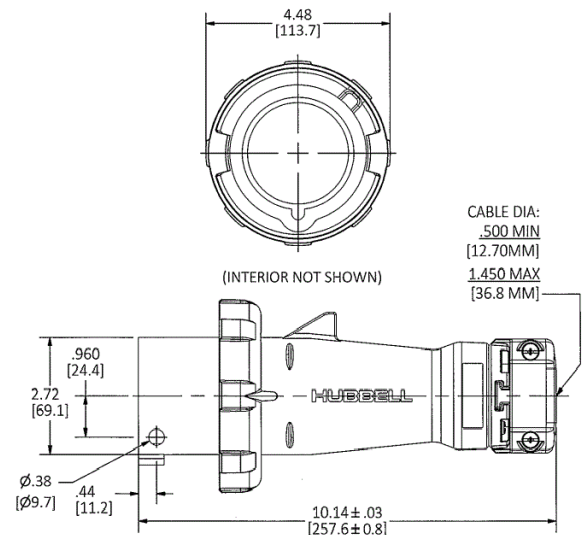
Performance

Electrical	
Current Interrupting	Certified for current interrupting at full rated current
Dielectric Voltage Max. Working Voltage	Withstands 3,000V AC 600V AC RMS
Mechanical	
Impact Resistance	Per CSA C22.2 No.182.1 /UL1682
Product Identification	Identification and ratings are a permanent part of the device housing
Terminal Identification	Terminals identified in accordance with North American and IEC conventions
Environmental	
Flammability	V-0
Ingress Protection	Type 3R,3RX,4X and IP68,IP69K
Moisture Resistance	IEC 60309-1
Operating Temperature	Maximum Continuous 75°C; Minimum - 40°C w/o impact

Complementary Products

Closure Cap
Cord Clamp and Locking Ring
Liquidtight Adapters

HUBBELL



Dimensions in Inches (mm)

Hubbell Wiring Device-Kellems • Hubbell Incorporated (Delaware) • 40 Waterview Drive • Shelton, CT 06484

Phone (800) 288-6000 • Fax (800) 255-1031 • Specifications subject to change without notice.

