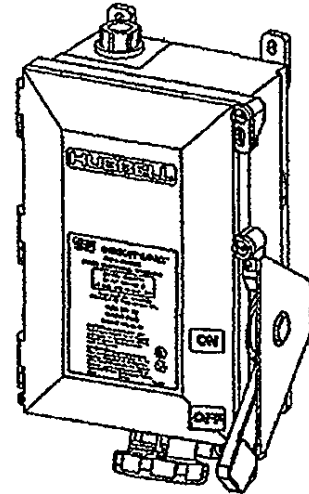


HUBBELL CIRCUIT LOCK™

30 & 60 AMP PIN & SLEEVE FUSED MECHANICAL INTERLOCK

Installation Instructions

This device provides fused switch control of plug connected loads. It includes an interlocking feature to prevent the plug from being disconnected while the receptacle is energized. The switch cannot be turned "ON" unless the plug is inserted properly and the enclosure cover is closed. When the plug is inserted, the switch can be turned "ON". The plug cannot be removed, and the fuses cannot be accessed until the switch is turned "OFF". This interlock feature eliminates making and breaking under load. The enclosure is listed for Outdoor/Indoor (Type 4X Watertight, Corrosion Resistant) and Indoor (Type 12 Dusttight) installations.



GENERAL INFORMATION

1. **NOTICE:** For installation only by a qualified electrician in accordance with the National Electrical Code or the Canadian Electrical Code, local codes, and the instructions on the following pages.
2. **DANGER:** Risk of electric shock - **TURN OFF SWITCH** before removing or installing fuses. Do NOT remove line terminal shield on switch.
DANGER: Risque de choc électrique - **METTRE HORS TENSION L'INTERRUPTEUR DU BOÎTIER** avant d'enlever ou d'installer les fusibles. **NE PAS** enlever le couvercle sur les bornes de connexion.
DANGER: Risk of electric shock - After installation or servicing, replace **ALL** parts. Line terminal shield **MUST** be in place on switch. Close enclosure cover before reconnecting power supplies.
DANGER: Risque de choc électrique - Après installation ou entretien, remplacer **TOUTES** les pièces. Le couvercle sur les bornes de connexion **DOIT** être remplacé sur l'interrupteur. Refermer le boîtier avant de remettre sous tension.
3. **CAUTION:** Ampere rating of fuses **MUST NOT** exceed the ampere rating of the receptacle (National Electrical Code® Section 430-42(c) or Canadian Electrical Code, Part 1, Rule 28-602(3)(c)(i)).
ATTENTION: Le calibre de courant des fusibles **NE DEVRA PAS EXCÉDER** le calibre de courant de la prise selon le «National Electrical Code®», Section 430-42(c) ou le «Code canadien de l'électricité», partie 1, règle 28-602(3)(c)(i).
4. **CAUTION:** Nonmetallic enclosure does not provide automatic grounding between conduit connections. Install grounding plate (with jumper wire) underneath the interior conduit hub bushing (nut). Tighten bushing (nut) for a watertight seal.
ATTENTION: Les boîtiers non-métalliques ne fournissent la mise à la terre automatique (M.A.L.T.) entre les branchements de conduits que lorsqu'une plaque (munie d'une bretelle) est installée sur la cloison interne du boîtiers. L'étanchéité est obtenue en serrant l'embout sur la paroi.
5. This enclosure includes a lockout provision: ON-OFF lever (in the OFF position) accepts up to a 5/16 inch (8.0 mm) diameter shackle of a suitable padlock Lockout device to isolate energy from the receptacle and **CORD CONNECTED EQUIPMENT** as a method of compliance to OSHA Lockout/Tagout Regulation 29 CFR Part 1910.147. This feature, however, does **NOT** isolate the power supplied to the enclosure during internal servicing of the enclosure.
6. Suitable for use as Temporary-Site Service Equipment
Acceptable comme appareillage de branchement pour installation temporaire.
7. The pilot contact (if installed) is rated A600 pilot duty, 600 VAC 10A.
Le contact pilot (s'il est installé) est classe circuit de commande A600, 600 V CA, 10A.
8. **WARNING: RISK OF ELECTRIC SHOCK.** Bonding between conduits must be provided.
AVERTISSEMENT - RISQUE DE CHOC ÉLECTRIQUE. S'assurer de la continuité des masses entre les conduits.



HUBBELL CIRCUIT LOCK™

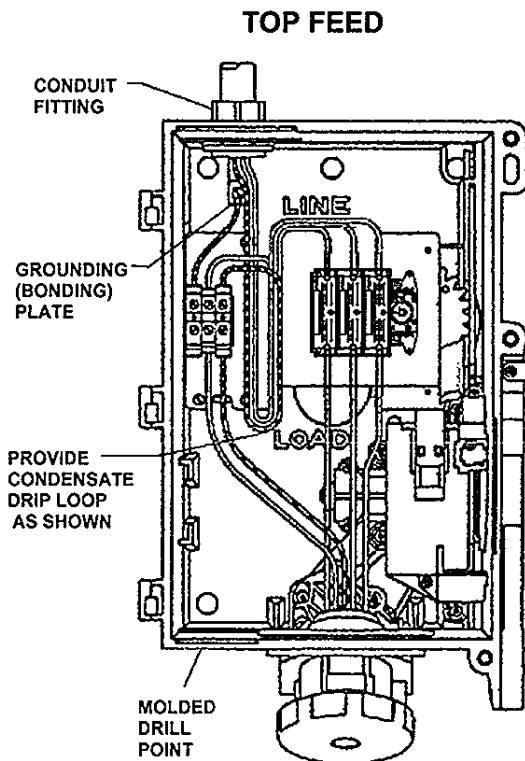
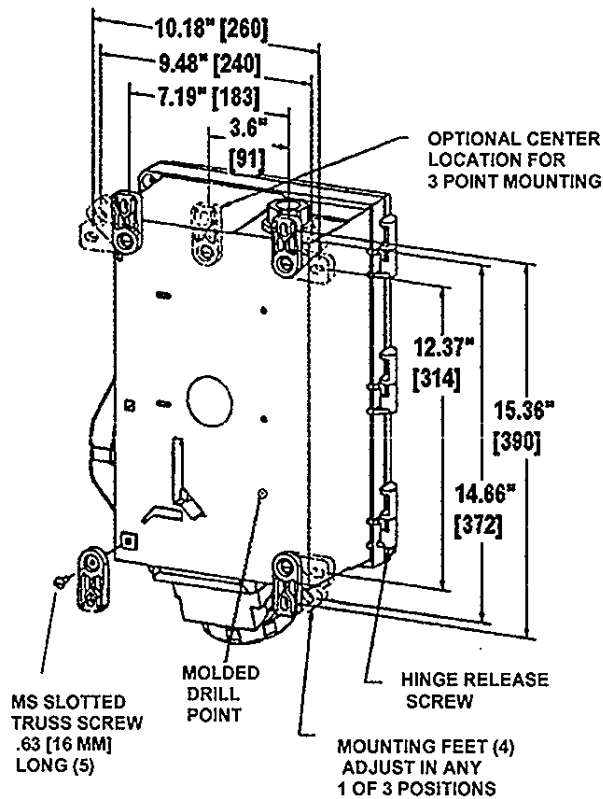
30 & 60 AMP PIN & SLEEVE FUSED MECHANICAL INTERLOCK

MOUNTING INSTRUCTIONS

This enclosure may be mounted for top, bottom, or back feed of supply voltage. It is provided in the top feed configuration with a conduit fitting and grounding (bonding) plate.

A. TOP FEED: See Fig.'s M1 and M2.

1. This enclosure must always be mounted vertically, with the receptacle down.
2. Enclosure must be mounted by means of mounting feet. DO NOT drill mounting holes through enclosure.
3. Mount the feet to the enclosure in the desired position using the screws provided. (see Fig. M1 for mounting dimensions). Torque 10 to 12 lb. in. (1.2-1.4 Nm).
4. Mounting feet slots will accept up to 5/16" or 8mm screws (not provided).
5. Turn the three (3) door fastening screws ¼ turn counterclockwise to open door.
6. When installing the conduit fitting, be sure the "O" ring seal is in place between the fitting and the outside of the enclosure.
7. Install the pigtailed grounding (bonding) plate under the conduit nut. Tighten nut securely for a watertight seal and grounding continuity.



HUBBELL CIRCUIT LOCK™

30 & 60 AMP PIN & SLEEVE FUSED MECHANICAL INTERLOCK

MOUNTING INSTRUCTIONS CONT'D

8. **BOTTOM AND BACK FEED:** See figures M3 and M4.

1. Drill or punch a 1-3/8" dia. (30 amp – 1" conduit) or 1-3/4" dia. (60 amp – 1 1/4" conduit) hole in the enclosure for the conduit fitting. Molded drill spots on the outside bottom and back surfaces show the hole locations.
2. Install the pigtailed grounding (bonding) plate under the conduit nut. Tighten nut securely for a watertight seal and grounding continuity.
3. The hole in the top of the enclosure must be closed off with a watertight dust-tight closure plug and grounding plate.

NOTE: METAL CLOSURE PLUG MUST BE GROUNDED (BONDED) BACK TO THE INSIDE GREEN AND YELLOW GROUNDING TERMINAL BLOCK. GROUNDING (BONDING) WIRE CONNECTION REQUIRED.

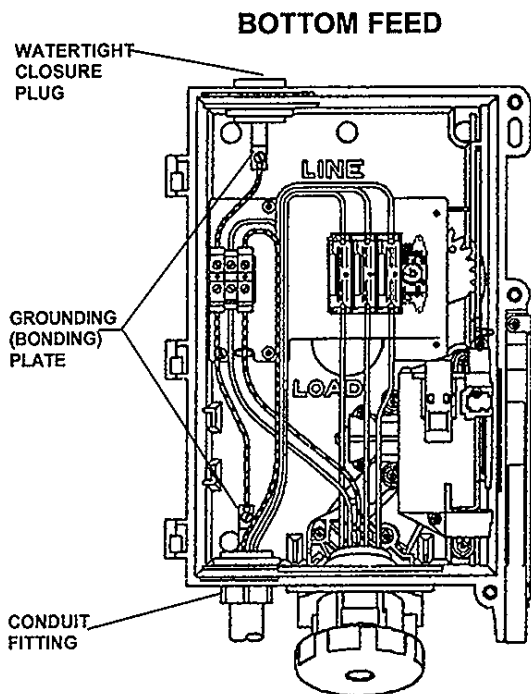


FIG. M3

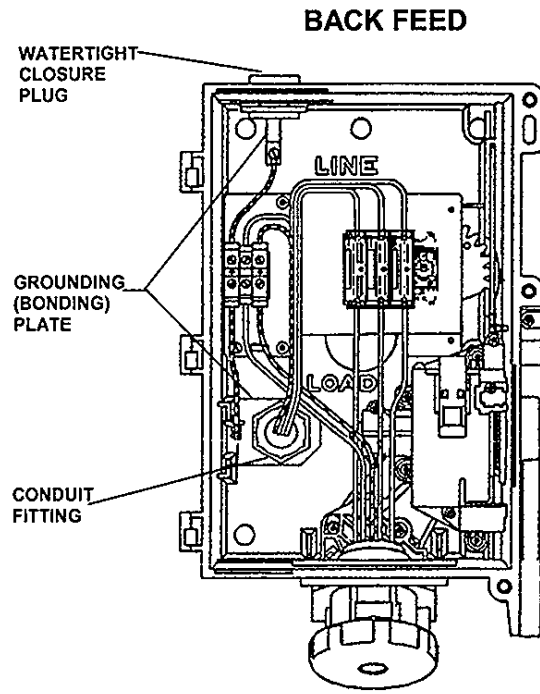


FIG. M4

Wiring Instructions

1. **CAUTION:** Use copper conductors only.
ATTENTION: Employer uniquement avec fil de cuivre.
2. Use conductors with insulation rated 90°C or higher having sufficient ampacity in accordance with the 60°C column of Table 310-16 of the National Electrical Code® or Table 2 of the Canadian Electrical Code.
3. Strip length of all lead wires 1/2 inch (13mm).
4. DO NOT tin conductors.
5. Select the correct wiring diagram shown on page 4 and wire the switch as shown (Figs. W2-W5).
6. Take extra caution that there are no loose wire strands.

HUBBELL CIRCUIT LOCK™

30 & 60 AMP PIN & SLEEVE FUSED MECHANICAL INTERLOCK

	30A	60A
Switch Torque	14 lb. - in. (1.6 N·m)	25 lb. - in. (2.8 N·m)
Ground Buss Torque	16 lb. - in. (1.8 N·m)	22 lb. - in. (2.5 N·m)
Neutral Buss Torque	13 lb. - in. (1.5 N·m)	22 lb. - in. (2.5 N·m)
Buss Clamp Screw Torque	10 lb. - in. (1.13 N·m)	10 lb. - in. (1.13 N·m)
Terminal Conductor Capacity	# 14 to # 8 AWG	# 14 to # 4 AWG
Pilot Contact	—	# 18 to # 12 AWG

7. Close enclosure cover. Turn the three (3) cover fastening screws ¼ turn clockwise.
8. For use as temporary site service equipment, wire per Fig. W5. Locate "Service Disconnect" label on outside door between "ON" and "OFF" labels per Fig. W6. Use Kellems Cord Connector Cat. No. SHC-1022-CR to feed grounding electrode conductor through enclosure. Drill or punch a 7/8" dia. Hole in enclosure.

FUSE & SHORT CIRCUIT INFORMATION

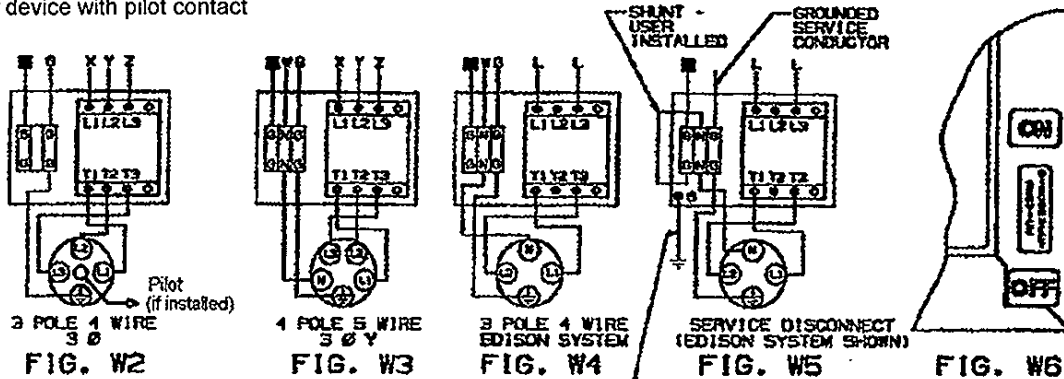
Horsepower Ratings: The starting current of motors of more than the standard horsepower rating may require the use of fuses with appropriate time-delay characteristics.

Short Circuit Current Withstand Rating: Suitable for use on a circuit capable of delivering not more than 200,000 rms symmetrical amperes at the voltage rating of the receptacle when protected by Class J fuses.

Replacement fused switch must be the same type Hubbell switch as original and have equal or greater short circuit current withstand rating. Replace receptacle only with identically rated Hubbell receptacle.

CAT. NOS.	AMPS	RATING	STANDARD HORSEPOWER	MAXIMUM HORSEPOWER	USE PIN & SLEEVE PLUG CAT. NO.	WIRE PER FIG.
HBL430MIF5W	30	600VAC 3Ø	7.5	20.0	HBL430P5W	W2
HBL430MIF7W	30	480VAC 3Ø	5.0	15.0	HBL430P7W	W2
HBL430MIF9W	30	240VAC 3Ø	3.0	7.5	HBL430P9W	W2
HBL430MIF12W	30	120/240VAC	1.5	3 (208-240VAC L-L)	HBL430P12W	W4
HBL530MIF5W	30	347/600VAC 3ØY	7.5	20	HBL530P5W	W3
HBL530MIF7W	30	277/480VAC 3ØY	5.0	15	HBL530P7W	W3
HBL460MIF5W+	60	600VAC 3Ø	15.0	50.0	HBL460P5W	W2
HBL460MIF7W	60	480VAC 3Ø	15.0	30.0	HBL460P7W	W2
HBL460MIF9W	60	240VAC 3Ø	7.5	15.0	HBL460P9W	W2
HBL460MIF12W	60	120/240VAC	3.0	7.5 (208-240VAC L-L)	HBL460P12W	W4

+Add "s" for device with pilot contact



NOTE: "G" DESIGNATES GROUNDING CONDUCTOR AND YELLOW AND GREEN GROUNDING BUSS.
 "N" DESIGNATES GROUNDED CONDUCTOR (NEUTRAL) AND BLUE NEUTRAL BUSS.
 ■ DESIGNATES GROUNDING (BONDING) PLATE.

GROUNDING ELECTRODE CONDUCTOR - INSULATED AND #8 WIRE! GROUND PLANE TO BE ESTABLISHED PER NEC ARTICLE 250.