

Pipe Straps, Conduit Clamps and Hangers

C-716 — Isolator for Copper Tubing

Features:

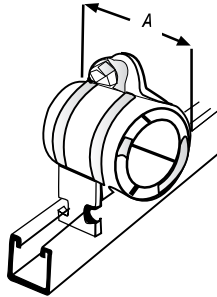
Designed for use with Superstrut® channel and pipe straps and Superstrut® C-711 Hangers, and may also be used with all standard flatbar or malleable iron hangers.

Materials:

Manufactured from one-piece steel shell with reinforcing ribs for stiffening and alignment. Padding is of processed non-conducting hairfelt and is cemented to the metal. Design of ribs creates a hinge so isolator may be opened and closed to install.

Application:

To provide a means to effectively isolate copper tubing from its supports to prevent the transmission of sound and vibration.



CAT. NO.	SIZE (IN.)	NOMINAL PIPE SIZE (IN.)	HANGER, C-711 OR PIPE STRAP, 702	WIDTH A (IN.)	STD. CTN.
C716 1/2	1/2	1/2	3/4	2 3/8	100
C-716-3/4	3/4	3/4	3/4	2 3/8	100
C-716-1	1	1	1	2 3/8	100
C-716-1-1/4	1 1/4	1 1/4	1 1/4	2 3/8	50
C-716-1-1/2	1 1/2	1 1/2	1 1/2	2 3/8	50
C-716-2	2	2	2 1/2	2 3/8	50
C-716-2-1/2	2 1/2	2 1/2	3	2 13/32	50
C-716-3	3	3	3 1/2	2 3/8	50
C-716-3-1/2	3 1/2	3 1/2	4	4 1/4	30
C-716-4	4	4	5	4 1/4	20

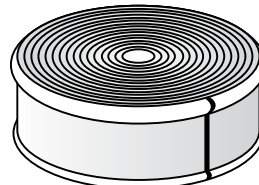
Order by Cat. No. and size.
Standard Finish — GoldGalv®

S716 — Cushioned Strip — For Isolation and Vibration Applications

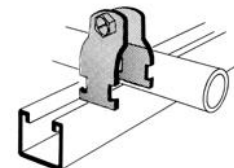
For use with 701 O.D. tubing and pipe clamp. To determine 701 clamp size, add 1/4" to O.D. tube size to allow for the cushioned strip material.

1/4" markings for fast measuring and cutting. Measurement chart is printed on back of carton. 20 feet included in each carton.

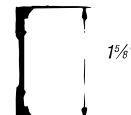
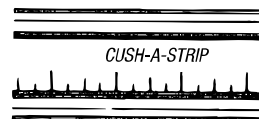
Prevent metal-to-metal contact with the cushioned strip material. It aids in sound insulation, shock absorption and protects against corrosion, distortion and abrasion. Cushioned strip material is designed for optimal use between -30° F and 300° F. Cushioned strip material combined with the Superstrut® 701 pipe strap can handle clamping assignments from 1/4" to 6."



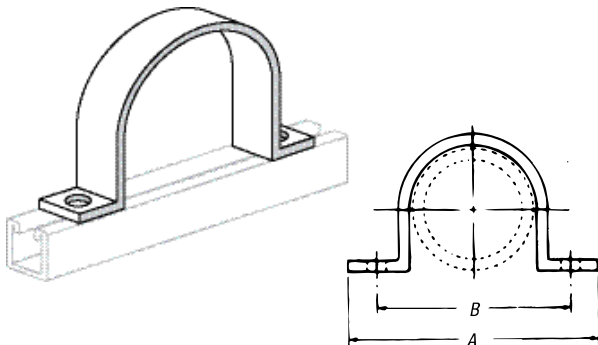
S716
Sold in a carton of 20 feet.



Order 701 clamp separately.



C-708-U — Short Strap for Channel or Wall Mounting



CAT. NO.	DIMENSIONS (IN.)					DESIGN LOAD LBS.	STD. CTN.
	PIPE SIZE	A	B	HOLE SIZE	STOCK SIZE		
C-708-U-1/2	1/2	2 3/8	2	3/32	1/8 x 1 1/8	650	50
C-708-U-3/4	3/4	3 1/16	2 3/16	3/32	1/8 x 1 1/8	650	50
C-708-U-1	1	3 3/8	2 1/2	3/32	1/8 x 1 1/8	650	50
C-708-U-1-1/4	1 1/4	3 11/16	2 3/8	3/32	1/8 x 1 1/8	650	25
C-708-U-1-1/2	1 1/2	3 5/8	3 1/8	3/32	1/8 x 1 1/8	650	25
C-708-U-2	2	5 3/4	4 3/8	7/16	1/4 x 1 3/8	650	25
C-708-U-2-1/2	2 1/2	6 3/16	4 9/16	7/16	1/4 x 1 3/8	1,000	25
C-708-U-3	3	6 3/8	5 1/8	7/16	1/4 x 1 3/8	1,000	25
C-708-U-3-1/2	3 1/2	7 1/8	5 11/16	7/16	1/4 x 1 13/32	1,000	25
C-708-U-4	4	7 13/16	6 3/8	7/16	1/4 x 1 13/32	1,200	25
C-708-U-5	5	8 7/8	7 1/4	7/16	1/4 x 1 13/32	1,200	10
C-708-U-6	6	9 13/16	8 3/8	7/16	1/4 x 1 13/32	1,200	10

Carbon Steel.
Standard Finish — GoldGalv®