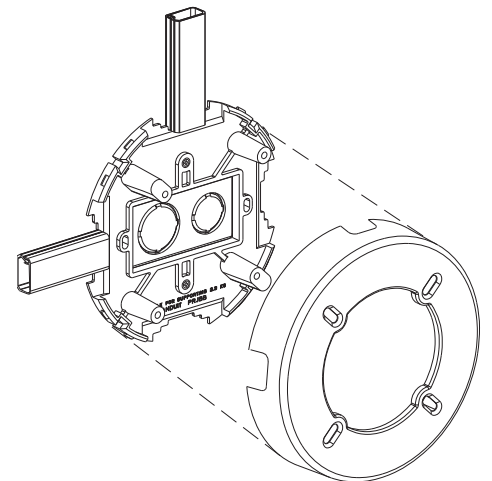
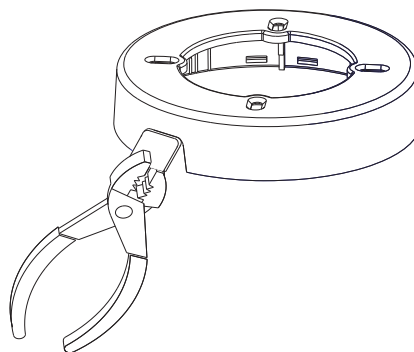
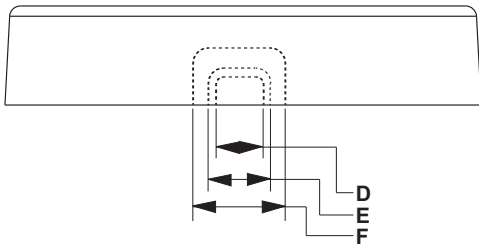
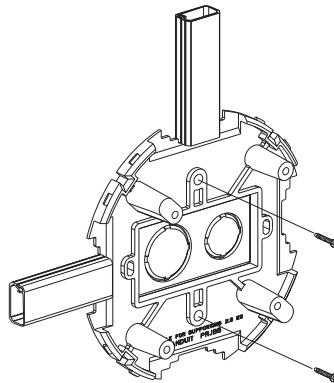
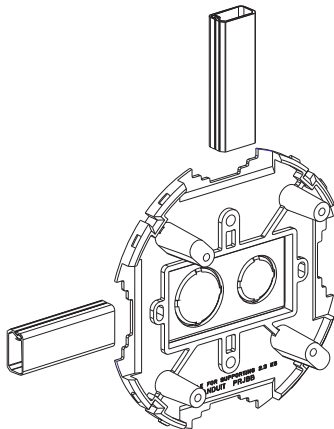
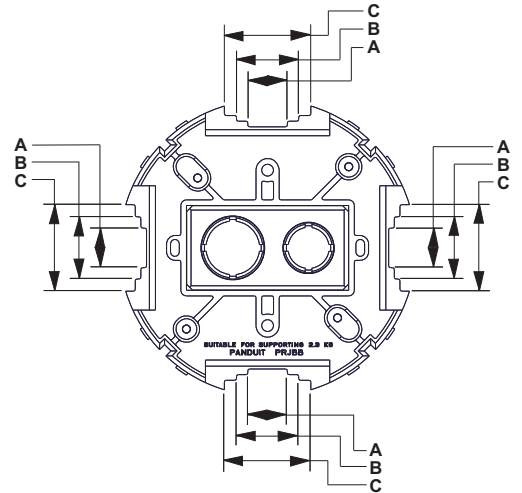


RJBX3510

Base	Raceway
A	LD3, LDPH3
B	LD5, LDPH5
C	LD10, LDPH10

Cover	Raceway
D	LD3, LDPH3
E	LD5, LDPH5
F	LD10, LDPH10



**NOTE: THE RECOMMENDED
SCREW TO SECURE COVER
TO BASE IS #8 - 32.**