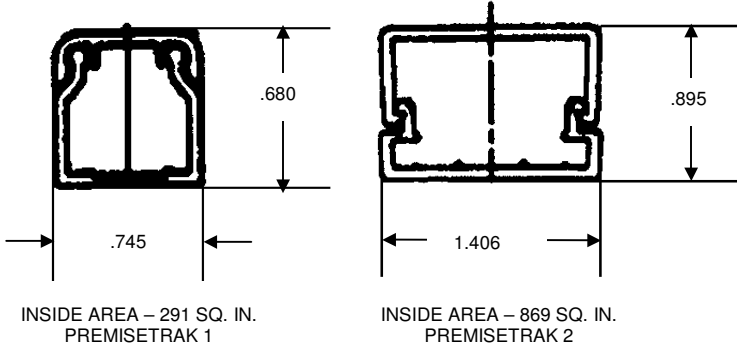


POLYTRAK SURFACE NONMETALLIC RACEWAYS

PREMISETRAK™ 1 / PREMISETRAK™ 2

Installation Instructions



Wire Fill Capacities	Power			Telephone		Data	
	THHN / T90 Nylon 40% Fill			25 Pair		Type RG59U	
	#14	#12	#10	30% Fill	Max. Fill	30% Fill	Max. Fill
PREMISETRAK 1	5	8	5	1	3	1	4
PREMISETRAK 2	40	22	14	3	9	5	14

Hubbell Surface Raceway Systems conform with the requirements of the current NEC, CEC, and local codes when installed and properly grounded in accordance with these instructions.

NOTICE: For interior use ONLY. MUST be installed by a qualified electrician in conformance with the NEC, or CEC or local codes as applicable. All electrical products may present a possible shock or fire hazard if improperly installed or used.

IMPORTANT: Read these instructions completely before installing Hubbell Surface Raceway Systems. These instructions cover installation of PREMISETRAK 1 and PREMISETRAK 2 power systems. PREMISETRAK systems for low-voltage wiring are installed in a similar manner.

Recommended Procedure:

CAUTION: Disconnect power source that will be feeding system. Do not reconnect until installation has been completed.

NOTE:

To cut PREMISETRAK base and cover to length, use a fine-tooth hacksaw. Remove burrs if necessary after cutting. Use of a miter box is recommended for all mitering cuts. Score all K.O.'s and twistouts with utility knife before breaking out.

1. Chalk path of complete raceway run.
2. Mark locations for device and fixture boxes, tees and flat elbows.
3. Starting at feed point, install device box base with center K.O. removed.
4. Install PREMISETRAK base section abutting device box base (fig. 2). Align centering line of raceway with centering tab on device box base. Continue along run, installing PREMISETRAK base, device and/or fixture bases in sequence, as in appropriate installation details. Cut PREMISETRAK base sections to length as required. Align base sections with ends abutting, drill and fasten to surface as in fig. 6.

Raceway must be securely fastened using pan head or similar screws to prevent damage to the conductors.

Adhesive backed raceways are available for installation of Class 2 circuit conductors as defined by Article 725 of the National Electrical Code. To install base, peel release paper from adhesive strip and mount to desired clean, smooth surface. Screws or mechanical fasteners *must* be used with other than Class 2 circuit applications. Elbow and tee bases are formed by cutting, mitering and butting raceway base sections together as in installation details (figures 7, 8, 10 and/or 12).

5. Where PREMISETRAK ends, and does not terminate in a box, install end cap (fig. 5).
6. Cut PREMISETRAK covers to length as required. **IMPORTANT:** See appropriate installation details for proper spacing of cover ends at elbows, tees and boxes.
7. Lay wiring into PREMISETRAK base. Wire size and type must be in compliance with Electric Code Requirements. Provide 6" minimum wire length at each box for connecting devices/fixtures.
8. Snap PREMISETRAK cover closed on PREMISETRAK base.
9. Snap splice cover (if used) over PREMISETRAK cover gap (fig. 9).
10. Wire and install devices as in fig. 2. Wire and install fixtures *after* fixture box covers have been installed.
11. Install elbow, tee and box covers (except at feed point) as in installation details.
12. Connect feed wires and system wires, and device (if used). Install device and appropriate Kellems KP Series face plate.
13. Energize circuit and test wiring for continuity and polarity.

NOTE: Kellems Nonmetallic Raceway Systems may be painted to match the surrounding surface. Refer to recommendations of paint manufacturer.

TYPICAL FOR PREMISETRAK1 AND PREMISETRAK2

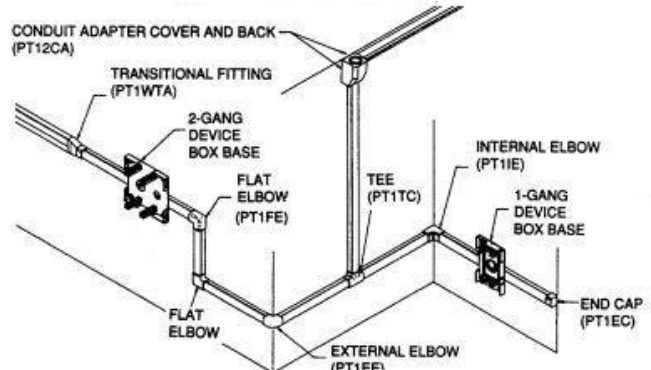


FIG. 1
PREMISETRAK system with directional fittings...

INSTALLATION DETAILS...

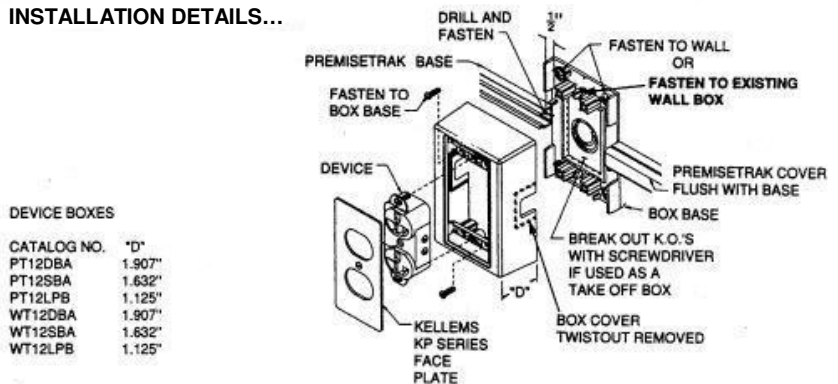


FIG. 2
1-Gang Device Box (with optional Take-Off Application)...

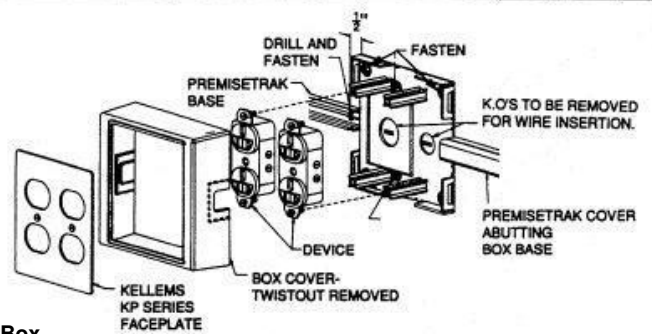


FIG. 3
2-Gang Device Box...

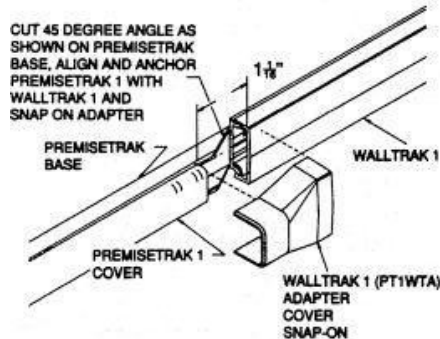


FIG. 4
End-feed from Adaptor / or WALLTRAK – 1 to PREMISETRAK 1...

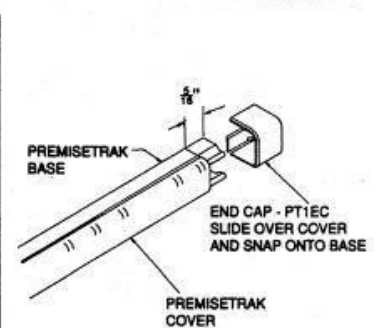


FIG. 5
End Cap, PT1EC...



POLYTRAK SURFACE NONMETALLIC RACEWAYS PREMISETRAK™ 1 / PREMISETRAK™ 2

Installation Details

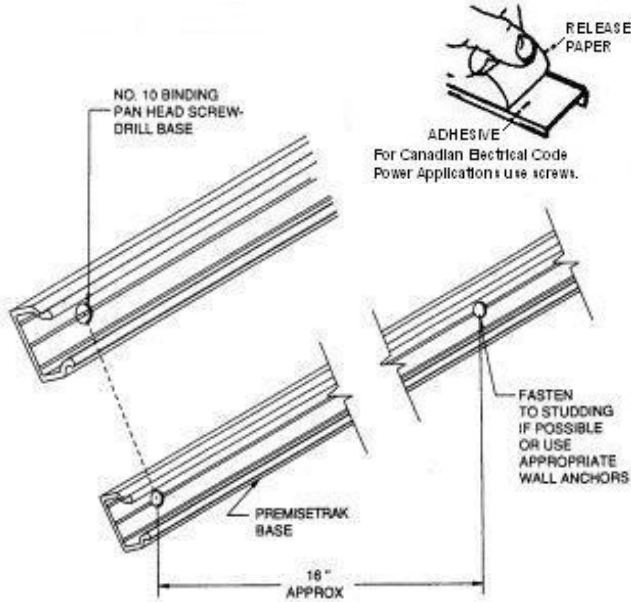


FIG. 6 Mounting PREMISETRAK Base...

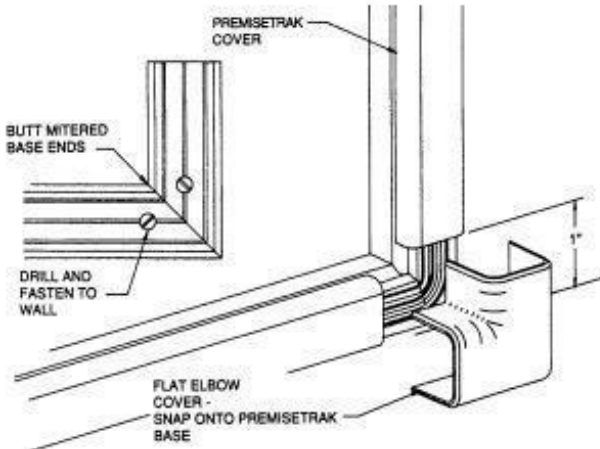


FIG. 7 FLAT ELBOW PT1FE...

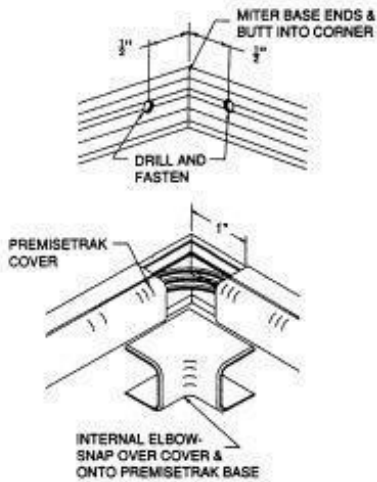


FIG. 8 Internal Elbow, PT1IE...

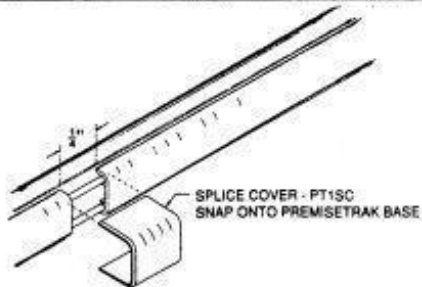


FIG. 9 Splice cover, PT1SC...

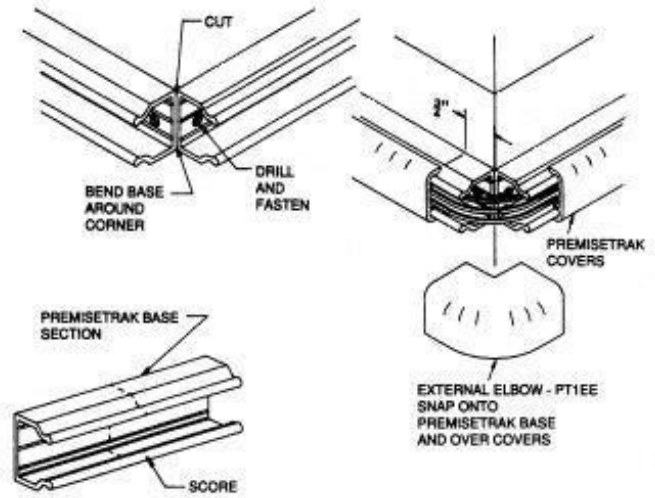


FIG. 10 External Elbow, PT1EE...

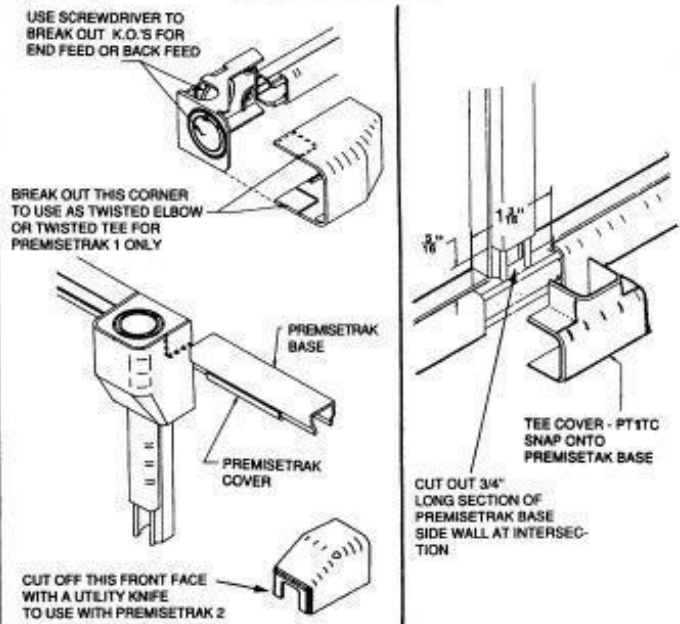


FIG. 11 Conduit Adapter, PT12CA...

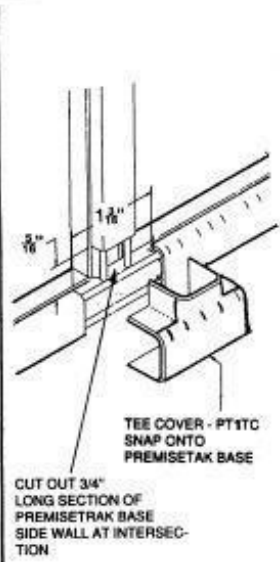
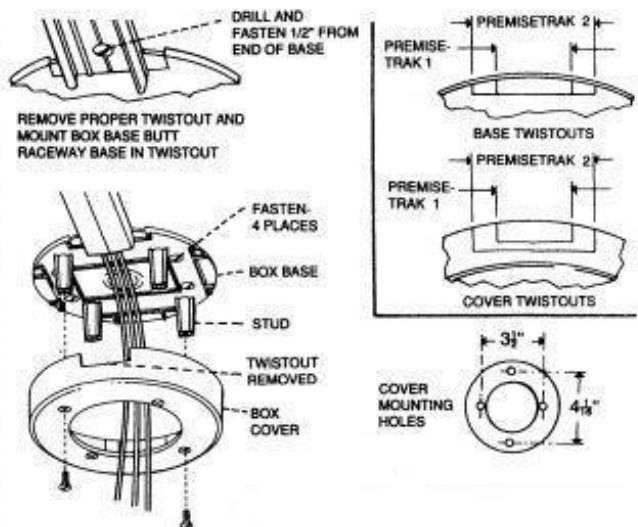


FIG. 12 Tee Cover, PT1TC...



Remove proper cover twistout to allow cover mounting holes to align with base studs. Select pair of opposite holes (and studs) to be used to mount fixture, and use remaining pair to fasten cover.

CAUTION: Do not mount ceiling fan to fixture box or cover. Fan must be suspended directly from ceiling joists. Remove large, rectangular K.O. from box base for access to ceiling.

FIG. 13 Fixture Box... PT12LFB