

Non-NEMA Twist-Lock® Devices 10A, 250V, 15A, 125V, 2 Pole, 3 Wire Grounding Receptacle

HUBBELL

Features

- Reinforced thermoplastic construction
- Single piece, all brass contacts
- Single point break-off tabs
- Mounting strap tabs lock the body and base together
-

Ordering Information

| Description | Device Color | UPC | Catalog Number |
|-----------------------------|--------------|--------------|----------------|
| Duplex, flush, black RTP | Black | 783585002361 | HBL7580G |

Listings

Listed to UL 498
Fed. Spec. W-C-596
Certified to CSA C22.2 No.42

Specifications

| | |
|-----------------|-------|
| Face | RTP |
| Base | RTP |
| Contacts | Brass |
| Clamp | Brass |
| Ground Contact | Brass |
| Terminal Screws | Brass |

Performance

Electrical

Dielectric Voltage Withstands 2,000V minimum

Mechanical

Terminal Accommodation #18-#10 AWG solid or stranded copper wire.

Terminal Accommodation #18 AWG -#10 AWG solid or stranded copper wire only.

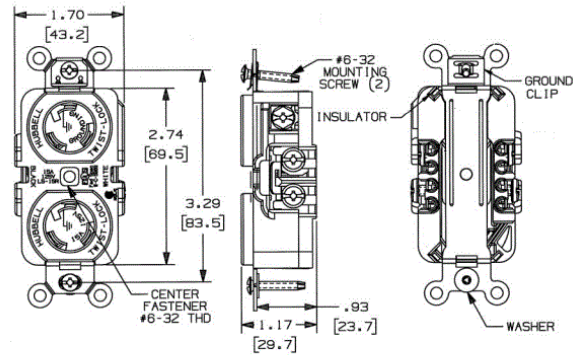
Terminal Identification Terminals identified in accordance with UL 498

Environmental

Flammability V2 or better per UL94/CSA 22.2 No.0.17

Moisture Resistance IP20 Suitability

Operating Temperatures Maximum Continuous 75°C; Minimum -40°C (w/o impact)



Accessories

Plug HBL7567C
Wallplate or Weatherproof Cover Duplex Opening

Resources

Customer Use Drawing
eCatalog

Dimensions in Inches (mm)

Hubbell Wiring Device-Kellems • Hubbell Incorporated (Delaware) • 40 Waterview Drive • Shelton, CT 06484

Phone (800) 288-6000 • Fax (800) 255-1031 • Specifications subject to change without notice.

