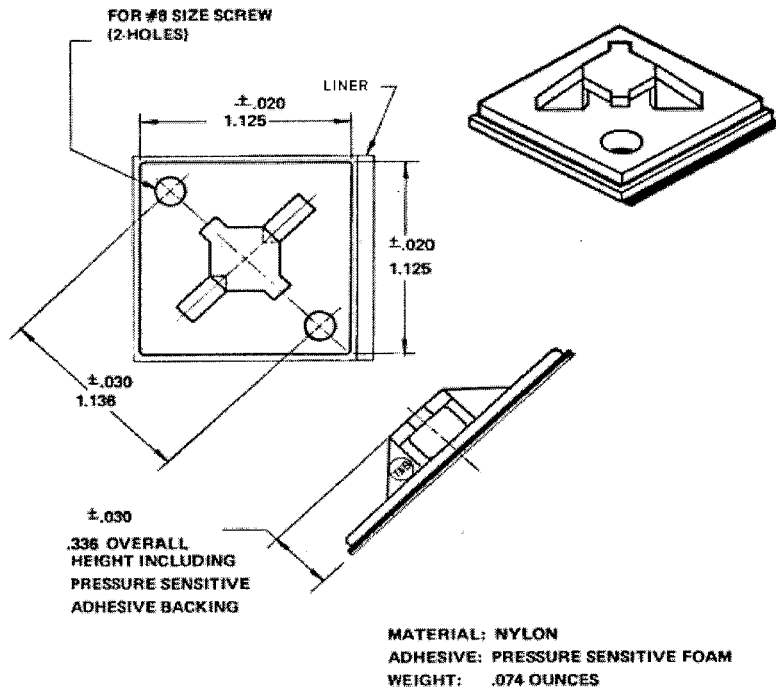


T&B CABLE FASTENING ACCESSORIES




NOTE: FOR USE WITH TY-RAP® TIES .190 WIDE MAX. FOR FOUR WAY ENTRY.
MAY BE USED WITH TY-RAP® TIES TO .301 MAX. WIDTH FOR DIAGONAL
TWO WAY ENTRY.

APPLICATION TEMPERATURE: 65°F TO 120°F (18°C TO 49°C)
STORAGE TEMPERATURE: 32°F TO 150°F (0°C TO 65°C)

TCZ347	MOUNTING BASE	TEFZEL* NATURAL	GREEN	TC2PA / SCREWS
TC347FR	MOUNTING BASE	NYLON FLAME RETARDANT	WHITE	TC2PA / SCREWS
TC347X	MOUNTING BASE	NYLON 6/6 WEATHERABLE	BLACK	TC2PA / SCREWS
TC347A	MOUNTING BASE	NYLON 6/6 NATURAL	WHITE	PRE-ADHESIVE
TC347	MOUNTING BASE	NYLON 6/6 NATURAL	WHITE	TC2PA / SCREWS
CAT. NO.	DESCRIPTION	MATERIAL	COLOR	MOUNTING

* TEFZEL IS A REGISTERED TRADE MARK OF DUPONT.

GENERAL NOTES		 www.tnb.com			
1. ALL DIMENSIONS ARE FOR REFERENCE ONLY. 2. DIMENSIONS IN BRACKETS [] ARE IN METRIC UNITS.					
REVISIONS		DESCRIPTION: TC347 MOUNTING BASE			
- SEE ERN (****) FOR APPROVAL SIGNATURES & RELEASE DATE. PROJECT NO: ****		ORIGINAL PROJECT NO / (ERN NO)	SHEET NO:	REV. NO:	DRAWING NO:
		FM401183 / (2005546)	1 OF 1	-	WSD-000166