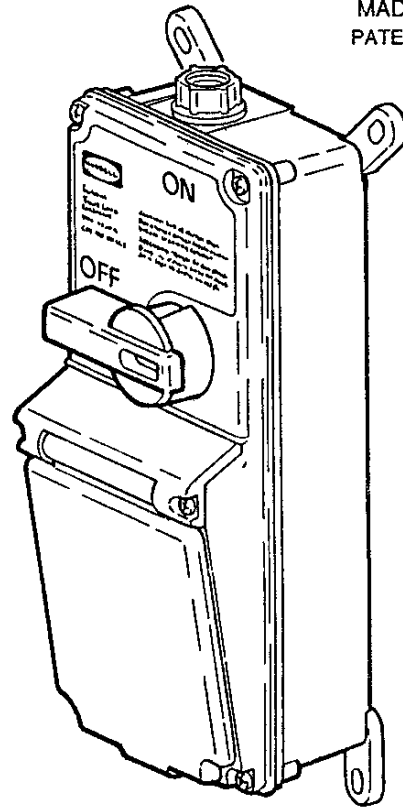


# HUBBELL

## Switched Twist-Lock® Enclosure

MADE IN U.S.A.  
PATENT PENDING

This enclosure provides ON-OFF switched control of a plug connected load and meets the requirements for Outdoor (Type 3R Rainproof) or Indoor (Type 12K Dust Tight) installations.



### **General Information**

---

1. **NOTICE:** For installation only by a qualified electrician in accordance with the National Electrical Code®, Canadian Electrical Code and local codes, and the instructions on the following pages.
2. **CAUTION - RISK OF ELECTRIC SHOCK. DISCONNECT POWER SUPPLY TO ENCLOSURE BEFORE EXPOSING INTERIOR.**  
**ATTENTION : RISQUE DE CHOC ÉLECTRIQUE. DÉBRANCHER L'ALIMENTATION DU BOÎTIER AVANT DE L'OUVRIR ET D'EN EXPOSER L'INTÉRIEUR.**
3. **NOTICE:** This enclosure must NOT be used as a junction box for feed-thru connections.
4. **NOTICE:** Separate overcurrent protection must be provided in accordance with the National Electric Code® Article 220, or Canadian Electric Code, Section B as appropriate. Overcurrent protection MUST NOT exceed the ampere rating of the receptacle [ ref.: NEC® Section 430-42 (c) ]
5. This enclosure includes lockout provision: ON-OFF control knob (in the OFF position) accepts up to a 5/16 inch (8.0 mm) diameter shackle of a suitable padlock Lockout device to isolate energy from the receptacle and CORD CONNECTED EQUIPMENT as a method of compliance to OSHA Lockout/ Tagout Regulation 29 CFR Part 1910.147. This feature, however, does NOT isolate the power supplied to the enclosure during internal servicing of the enclosure.

# Installation Instructions

A. This enclosure may be mounted for top, bottom, or back feed of supply voltage. It is provided in the top feed configuration; for bottom or back feed refer to mounting diagrams M-1 and M-3 and the requirements of Table 1.

## B. Mounting Instructions

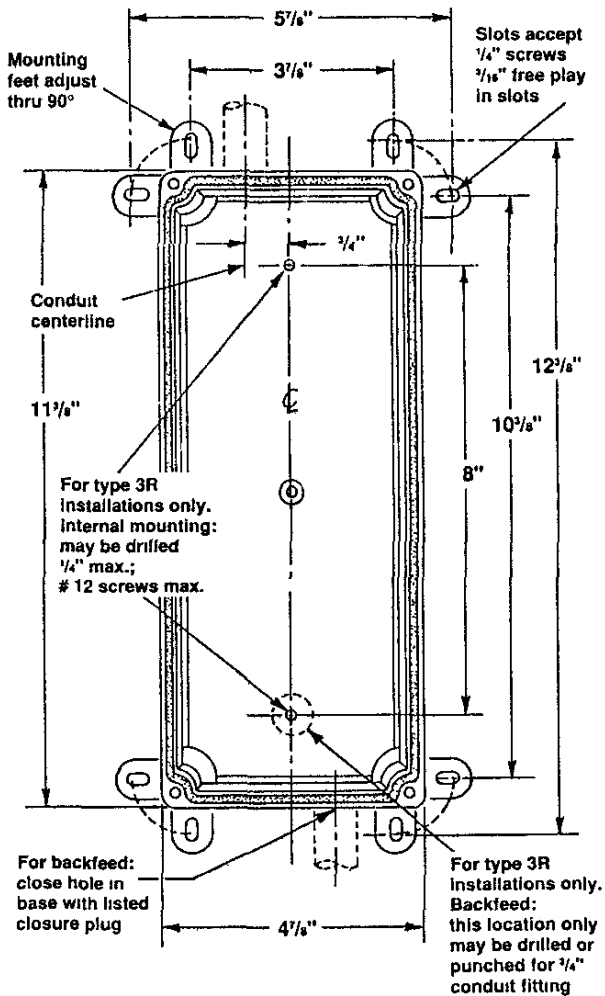
1. Switch must be in the OFF position.
2. Remove the four (4) cover mounting screws in the four corners of the enclosure.
3. Follow the requirements of Table 1 and mounting details of diagrams M-1, M-2, and M-3 for Type 3R or Type 12K installations and the selected feed configuration.
4. Recommended screw torques:
  - a) Mounting feet screws: tighten to 18 lb.-in. (2.2 N·m)
  - b) Cover screws: tighten to 18 lb.-in. (2.2 N·m)

Requirements	Type 3R (Rainproof)	Type 12K (Dust Tight)
Internal Arrow on Frame	Must Point Downward	Must Point Downward
Fittings	As Supplied or Equal	As Supplied or Equal
Drain Hole (By User)	Required: Figs. M2 & M3	Not Permitted
Back Mounting	Optional: Fig. M1	Not Permitted
Unused Entry Holes	Use UL Listed/ CSA Certified Closure Plug.	Not Permitted
Bottom Feed/Back Feed	Permitted: Figs. M1 & M3	Not Permitted

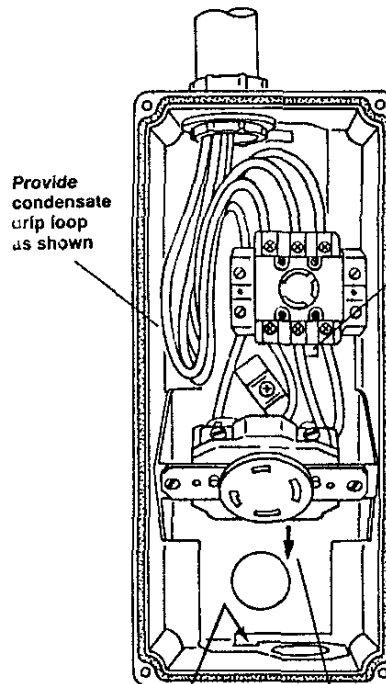
Table 1:

Mounting Diagrams: (M-1, M-2, M-3)

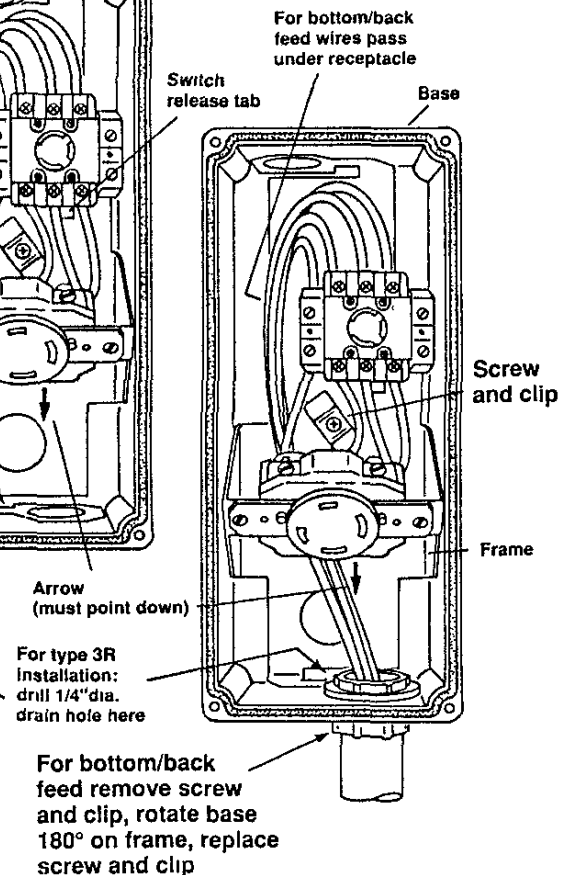
**M-1** Bottom/Back Feed Conversion



**M-2** Top Feed (as Provided)



**M-3**



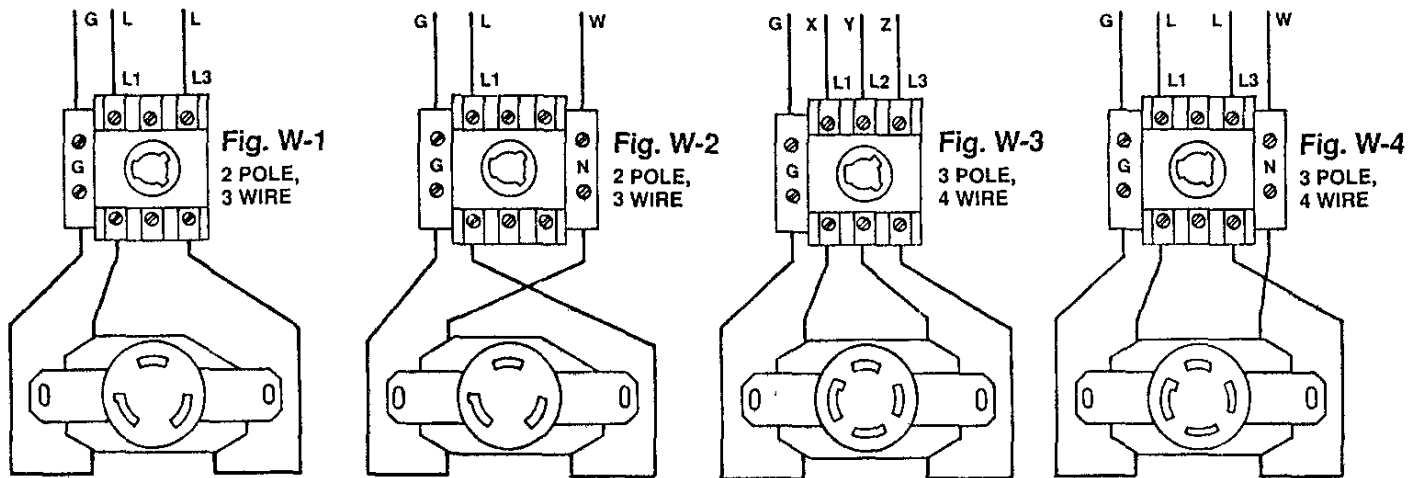
# Wiring Instructions

SWITCHED TWIST-LOCK ENCLOSURE (RECEPTACLE PROVIDED) RATING TABULATION

Switched Twist-Lock® Enclosure Cat. No.	NEMA Config.	Amps	Volts	Horsepower	Use Twist-Lock® Plug Cat. No.	Wiring Diag.
SE2310A	L5-20R	20A	120V ac	1HP	2311	Fig W-2
SE2610A	L5-30R	30A	120V ac	1HP	2611	Fig W-2
SE2320A	L6-20R	20A	240V ac	2HP (208-240V ac)	2321	Fig W-1
SE2620A	L6-30R	30A	240V ac	2HP (208-240V ac)	2621	Fig W-1
SE2410A	L14-20R	20A	120/240V ac	2HP (208-240V ac L-L)	2411	Fig W-4
SE2710A	L14-30R	30A	120/240V ac	2HP (208-240V ac L-L)	2711	Fig W-4
SE2420A	L15-20R	20A	240V ac 3Ø	3HP	2421	Fig W-3
SE2720A	L15-30R	30A	240V ac 3Ø	3HP	2721	Fig W-3
SE2430A	L16-20R	20A	480V ac 3Ø	5HP	2431	Fig W-3
SE2740A	L17-30R	30A	600V ac 3Ø	10HP	2741	Fig W-3

Table 2

Figs. W-1 thru W-4



1. **CAUTION:** Use copper conductors only.

**ATTENTION:** Employer uniquement avec fil de cuivre.

2. **NOTICE:**

- Neutral, Ground and Switch terminals will accept a wire size range from #12AWG to #8AWG.
- Strip length of lead wires is 1/2 inch (13mm)
- Do NOT use tinned conductors.
- Use conductors with insulation rated 90°C or higher having sufficient ampacity in accordance with the 60°C column of Table 310-16 of the National Electrical Code® or Table 2 of the Canadian Electrical Code.
- Tighten terminal screws: Switch 12-15 lb.-in. (1.4-1.7 N•m); Neutral 13-15 lb.-in. (1.5-1.7 N•m) and ground 16-18 lb.-in. (1.8-2.0 N•m)
- Take extra caution that there are no loose wire strands.
- Before reinstalling cover, switch handle must be in the OFF position.

# ***Replacement of Damaged or Broken Parts.***

---

## **1. Hinged Receptacle Door Replacement**

- a. In the event that the Receptacle Door is broken or damaged, it must be replaced immediately or the enclosure will no longer meet Type 3R or Type 12K requirements. Damaged or broken parts must be replaced ONLY with identical Hubbell factory authorized replacements.
- b. Door Replacement Kit: Cat. No. SEDR

## **2. Switch Handle and Shaft:**

- a. Replace ONLY with identical Hubbell factory authorized replacements.
- b. Switch Handle and Shaft Replacement Kit: Cat. No. SEHS

## **3. Switch:**

Replacement part Cat. No. SESW

Wiring Device-Kellems  
Hubbell Incorporated (Delaware)  
185 Plains Road  
Milford, Ct 06460-8897  
(203) 882-4800

