

Floor Boxes  
Accessories

## Cover and Carpet Flange

### Features

- One Piece Cover Carpet Flange
- Durable Solid Brass Construction
- Brushed Finish
- UL 514A listed and meet UL Scrubwater requirements

### Ordering Information

Description	Material	UPC Number	Catalog Number
One Piece, Combo Cover/Flange, Brass	Solid Brass	783585006598	SF2925

### Listings

cULus Listed  
UL514A listed and meet UL Scrubwater requirements  
ADA compliant flange

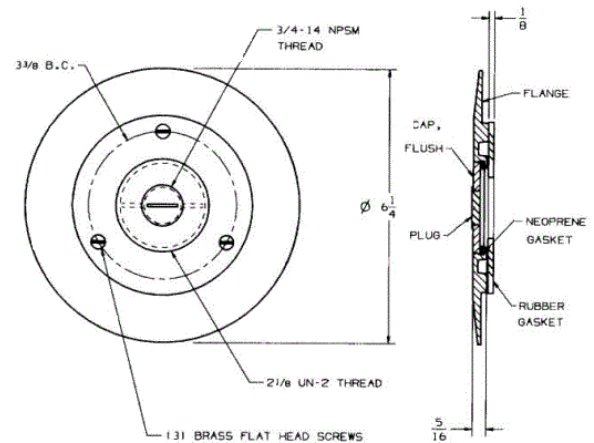
### Specifications

Cover Style	Round
Cover Finish	Brass
Cover Opening	2 1/8"
Offering	6.25" Diameter

### Performance

Electrical	
Cover Load Rating	300 lbs. for a static load applied through a 3 inch mandrel

# HUBBELL



### Related Products

Replacement Flush Plug

S5020

### Online Resources

Customer Sales Drawings  
eCatalog  
Installation Instructions

Dimensions in Inches (mm)

Hubbell Wiring Device-Kellems • Hubbell Incorporated (Delaware) • 40 Waterview Drive • Shelton, CT 06484

Phone (800) 288-6000 • Fax (800) 255-1031 • Specifications subject to change without notice.

