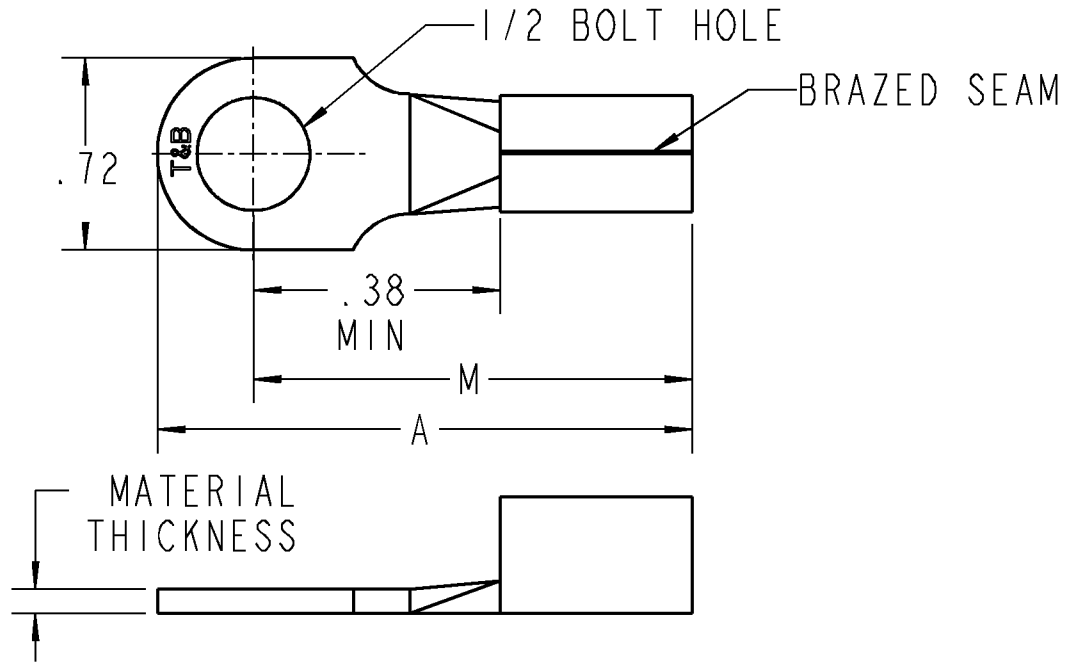




Sta-Kon®



ALL DIMENSIONS ARE APPROXIMATE, FOR REFERENCE ONLY.

DIST. CAT. NO. *	CAT. NO. *	WIRE SIZE	A MAX.	M MAX.	MATERIAL THICKNESS	STRIP LENGTH
A18-12	A75	22-18	1.07	.71	.032	1/4
B14-12	B75	18-14	1.07	.71	.032	1/4
C10-12	C75	12-10	1.22	.87	.040	5/16

MATERIAL: COPPER

INSTALLING TOOLS: WT110M, WT11M, WT2000, ERG-2002, AND POWER TOOLS AS RECOMMENDED.

* FOR NICKEL PLATED TERMINALS ADD NP SUFFIX TO CATALOG NUMBER.

GENERAL NOTES		Thomas & Betts <small>www.tnb.com</small>			
1. ALL DIMENSIONS ARE FOR REFERENCE ONLY. 2. DIMENSIONS IN BRACKETS [] ARE IN METRIC UNITS.					
REVISIONS					
** SEE ERN (****) FOR APPROVAL SIGNATURES & RELEASE DATE. PROJECT NO: ****		ORIGINAL PROJECT NO / (ERN NO) TM401323 / (2006128)	SHEET NO: 1 OF 1	REV. NO: -	DRAWING NO: WSD-000220