

Hubbellock® Devices
20A, 125V, 2 Pole, 3 Wire Grounding
Hubbellock® Plug

HUBBELL

Features

- Molded-in male contacts are resistant to damage and provide a consistently positive connection
- Insulated non-metallic housing enhances safety and abuse resistance
- Box terminals in conjunction with screws with pressure pads provide maximum termination strength and dependability
- Three-piece clamp assembly provides maximum strain relief and protects against entry of moisture and dust

Ordering Information

Description	Cord Diameter	UPC	Catalog Number
Nylon housing, thermoset interior	.320"-.660"(8.12-16.5)	783585017389	HBL23005GB



Specifications

Device Color	Black/White
Housing	Nylon
Cord Clamp Material	Nylon
Plug Housing	Thermoset
Contacts	Brass
Assembly Screws	Stainless Steel

Performance

Electrical

Current Interrupting	Certified for current interrupting at full rated current
Dielectric Voltage	2,000V minimum

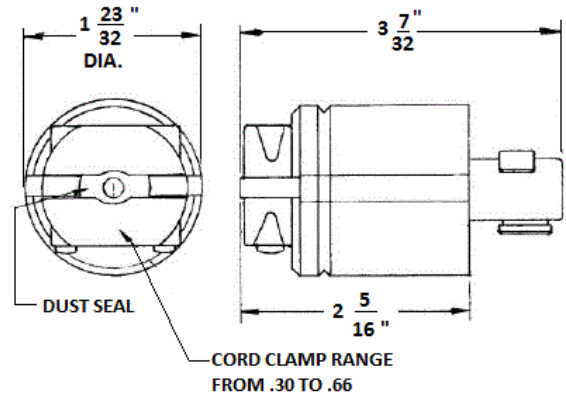
Mechanical

Terminal Accommodation	#16 AWG - #12 AWG stranded copper wire only.
------------------------	--

Terminal Identification	Terminals identified in accordance with UL 498
-------------------------	--

Environmental

Flammability	HB or better
Moisture Resistance	IP30 Suitability
Operating Temperatures	Maximum Continuous 75°C; Minimum -40°C (w/o impact)



Accessories

Connector	HBL23002GB
Single Receptacle	HBL2300G

Resources

Customer Use Drawing
eCatalog

Dimensions in Inches (mm)

Hubbell Wiring Device-Kellems • Hubbell Incorporated (Delaware) • 40 Waterview Drive • Shelton, CT 06484

Phone (800) 288-6000 • Fax (800) 255-1031 • Specifications subject to change without notice.

