

Straight Blade Devices
 20A, 250V, 2 Pole, 3 Wire Grounding
 Single Receptacle

HUBBELL

Features

- Classic design

Ordering Information

Description	Device Color	UPC	Catalog Number
Phenolic	Black	783585014364	HBL5552B

Listings

UL Listed to UL498 File E1706
 CSA Certified to C22.2 No. 42 File 280C
 NEMA® WD-6 Compliant

Specifications

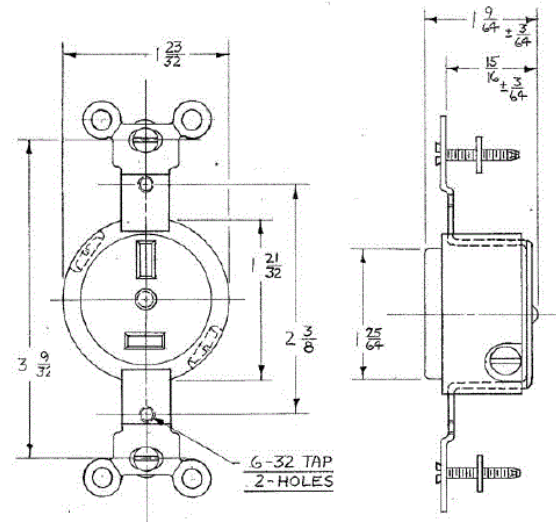
Body	Phenolic
Contacts	Brass
Grounding Clip	Stainless steel
Mounting Strap	Cold rolled steel
Terminal Screws	Brass
Mounting Screws	Galvanized steel

Performance

Electrical	
Current Interrupting	Certified for current interrupting at full rated current
Dielectric Voltage	Withstands 2,000V minimum
Mechanical	
Cord Accomodation	.310"-.430"(7.9-11.9)
Terminal Accommodation	#14-#10 AWG copper stranded or solid conductor only
Terminal Identification	Terminals identified in accordance with UL 498 and CSA

Environmental

Flammability	UL 94 V-1 or better
IP Suitability	IP20
Operating Temperatures	Maximum continuous 75°C; minimum -40°C (w/o impact)



Resources

Customer Use Drawing
 eCatalog

Dimensions in Inches (mm)

Hubbell Wiring Device-Kellems • Hubbell Incorporated (Delaware) • 40 Waterview Drive • Shelton, CT 06484

Phone (800) 288-6000 • Fax (800) 255-1031 • Specifications subject to change without notice.

