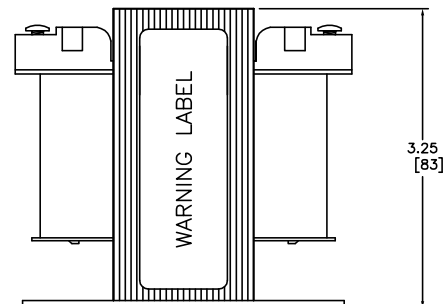
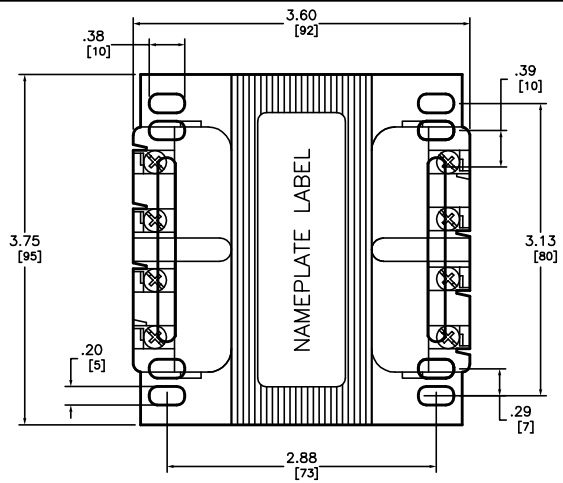


J:\wip\209\control_online\5849.DWG 07/22/2008 12:13:57 PM

CATALOG NUMBER	PRIMARY VOLTAGE	SECONDARY VOLTAGE	50/60 Hz 1 PHASE		APPROXIMATE WEIGHT (Lbs/Kg)
			UL/cUL/CSA/NOM RATINGS (VA)	CE RATINGS (VA)	
9070T150D1	220/440 230/460 240/480	110 115 120	150	150	5.5 / 2.4
9070T150D2	240/480	24	150	150	5.5 / 2.4
9070T150D3	208	120	150	150	5.6 / 2.5
9070T150D4	277	120	150	150	5.1 / 2.3
9070T150D5	550 575 600	110 115 120	150	150	5.5 / 2.4
9070T150D12	440 460 480	220 230 240	150	150	5.5 / 2.4
9070T150D13	120	12/24	150	150	5.5 / 2.4
9070T150D14	208	24	150	150	5.4 / 2.4
9070T150D15	240/480	24/120	150	150	5.5 / 2.4
9070T150D18	208/277/380	95/115	150	150	5.6 / 2.5
9070T150D22	480	277	150	150	5.6 / 2.5
9070T150D23	120/240	24	150	150	5.3 / 2.4
9070T150D24	110 115 120	110 115 120	150	150	5.6 / 2.5
9070T150D25	277	24	150	150	5.5 / 2.4
9070T150D31	220/440 230/460 240/480	110/220 115/230 120/240	150	150	5.5 / 2.4
9070T150D33	380/400/415	115/230	150	150	5.6 / 2.5
9070T150D36	600	12/24	150	150	5.5 / 2.4
9070T150D37	550 575 600	110/220 115/230 120/240	150	150	5.5 / 2.4
9070T150D51	208/277	120	150	150	5.5 / 2.4
9070T150D52	380/400/415	12/24	150	150	5.5 / 2.4
9070T150D54	120/240	12/24	150	150	5.5 / 2.4
9070T150D55	110/220 115/230 120/240	110/220 115/230 120/240	150	150	5.5 / 2.4
9070T150D59	240/480	12/24	150	150	5.4 / 2.4
9070T150D60	277	120/240	150	150	5.5 / 2.4
9070T150D62	600	240	150	150	5.5 / 2.4
9070T150D95	208/240/480 200/230/460 220/440	120 115 110	150	150	5.5 / 2.4



FILES/STANDARDS:

UL/cUL FILE: E61239
 CSA FILE: LR37055
 CE: TLV CERTIFIED TO 61558
 NOM 117

150VA-CONTROL POWER TRANSFORMER
 9070 TYPE T
 CATALOG NUMBERS: FROM CHART



DWG# 5849
 NO.