

Straight Blade Devices
 Accessories
Weatherproof Cover



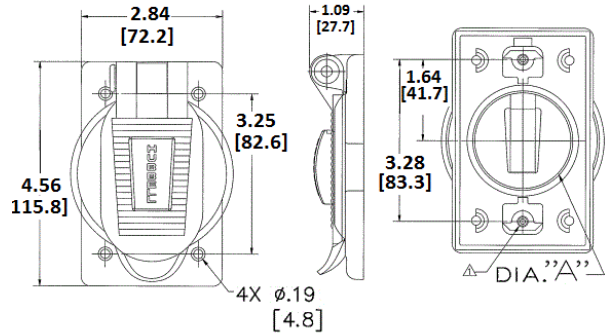
Ordering Information

Description	Device Color	UPC	Catalog Number
Gray polycarbonate for FS/FD box mounting, corrosion resistant	Gray	783585809441	HBL7423WO



Specifications

Product Type	Weatherproof Cover
Material	Reinforced thermoplastic polyester



Accessories

Receptacle Accommodation	1.36" to 1.39" Face Boss
--------------------------	--------------------------

Online Resources

eCatalog

Dimensions in Inches (mm)

Hubbell Wiring Device-Kellems • Hubbell Incorporated (Delaware) • 40 Waterview Drive • Shelton, CT 06484

Phone (800) 288-6000 • Fax (800) 255-1031 • Specifications subject to change without notice.

