

## STAINLESS STEEL CONSOLETS, TYPE 12



### INDUSTRY STANDARDS

UL 508A Listed; Type 12, 13; File Number E61997  
 cUL Listed per CSA C22.2 No 94; Type 12, 13; File Number E61997

NEMA/EEMAC Type 12  
 CSA File Number 42186: Type 12  
 IEC 60529, IP65

### APPLICATION

Consoles are ideal for mounting small control or instrumentation devices where the desirable access requires a 30- or 60-degree surface. These enclosures can be mounted on either of two sides for placement on desktops, pedestals or other flat surfaces.

### SPECIFICATIONS

- Type 304 stainless steel
- Seams continuously welded and ground smooth
- Captivated cover screws thread into sealed wells
- Cover attached with continuous hinge
- Oil-resistant gasket
- Bonding provision on door

### FINISH

Cover and sides of body have smooth #4 brushed finish.

### ACCESSORIES

See also *Accessories*.  
 Industrial Corrosion Inhibitors  
 Steel and Stainless Steel Window Kits  
 Pedestals  
 Hole Seals

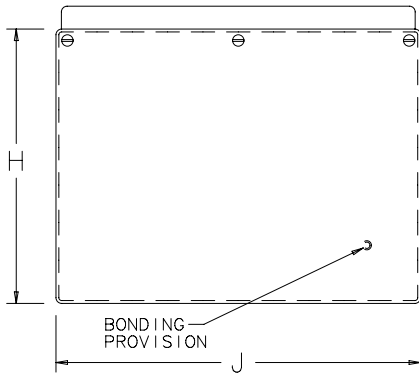
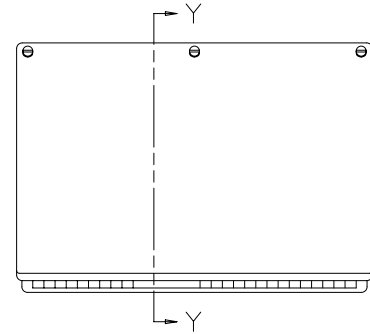
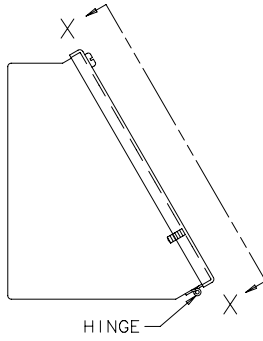
### MODIFICATION AND CUSTOMIZATION

Hoffman excels at modifying and customizing products to your specifications. Contact your local Hoffman sales office or distributor for complete information.

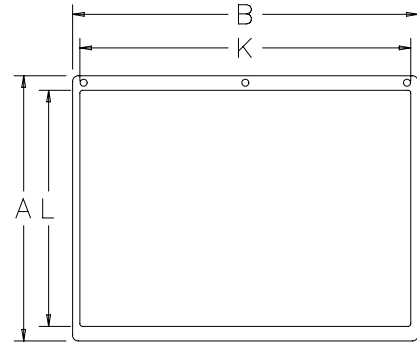
### BULLETIN: C55

### Standard Product

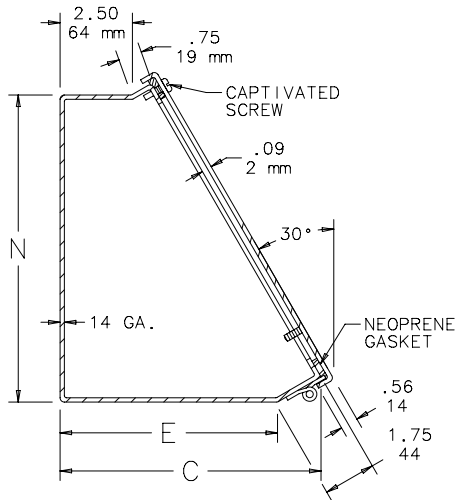
Catalog Number	AxBxC in./mm	E in./mm	H in./mm	J in./mm	K in./mm	L in./mm	N in./mm
C8C8SS	8.00 x 8.00 x 7.09	5.62	8.28	8.28	7.50	6.62	7.44
	203 x 203 x 180	143	210	210	191	168	189
C8C12SS	8.00 x 12.00 x 7.09	5.62	8.28	12.28	11.50	6.62	7.44
	203 x 305 x 180	143	210	312	292	168	189
C8C16SS	8.00 x 16.00 x 7.09	5.62	8.28	16.28	15.50	6.62	7.44
	203 x 406 x 180	143	210	414	394	168	189
C8C20SS	8.00 x 20.00 x 7.09	5.62	8.28	20.28	19.50	6.62	7.44
	203 x 508 x 180	143	210	515	495	168	189
C12C12SS	12.00 x 12.00 x 9.09	7.62	12.28	12.28	11.50	10.62	10.91
	305 x 305 x 231	194	312	312	292	270	277
C12C16SS	12.00 x 16.00 x 9.09	7.62	12.28	16.28	15.50	10.62	10.91
	305 x 406 x 231	194	312	414	394	270	277
C12C20SS	12.00 x 20.00 x 9.09	7.62	12.28	20.28	19.50	10.62	10.91
	305 x 508 x 231	194	312	515	495	270	277
C12C24SS	12.00 x 24.00 x 9.09	7.62	12.28	24.28	23.50	10.62	10.91
	305 x 610 x 231	194	312	617	597	270	277
C16C16SS	16.00 x 16.00 x 11.09	9.62	16.28	16.28	15.50	14.62	14.38
	406 x 406 x 282	244	414	414	394	371	365
C16C20SS	16.00 x 20.00 x 11.09	9.62	16.28	20.28	19.50	14.62	14.38
	406 x 508 x 282	244	414	515	495	371	365
C16C24SS	16.00 x 24.00 x 11.09	9.62	16.28	24.28	23.50	14.62	14.38
	406 x 610 x 282	244	414	617	597	371	365
C16C30SS	16.00 x 30.00 x 11.09	9.62	16.28	30.28	29.50	14.62	14.38
	406 x 762 x 282	244	414	769	749	371	365
C16C36SS	16.00 x 36.00 x 11.09	9.62	16.28	36.28	35.50	14.62	14.38
	406 x 914 x 282	244	414	922	902	371	365
C20C20SS	20.00 x 20.00 x 13.09	11.62	20.28	20.28	18.62	18.62	17.84
	508 x 508 x 332	295	515	515	473	473	453
C20C24SS	20.00 x 24.00 x 13.09	11.62	20.28	24.28	22.62	18.62	17.84
	508 x 610 x 332	295	515	617	575	473	453
C20C30SS	20.00 x 30.00 x 13.09	11.62	20.28	30.28	28.62	18.62	17.84
	508 x 762 x 332	295	515	769	727	473	453



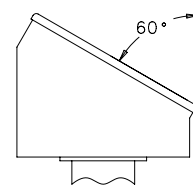
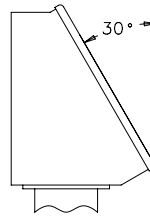
VIEW X-X



VIEW X-X  
with cover removed



SECTION Y-Y



87794845