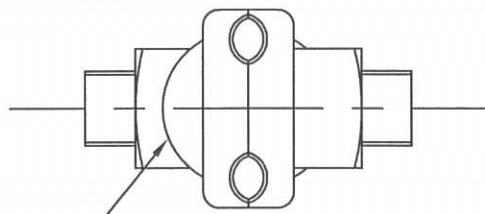
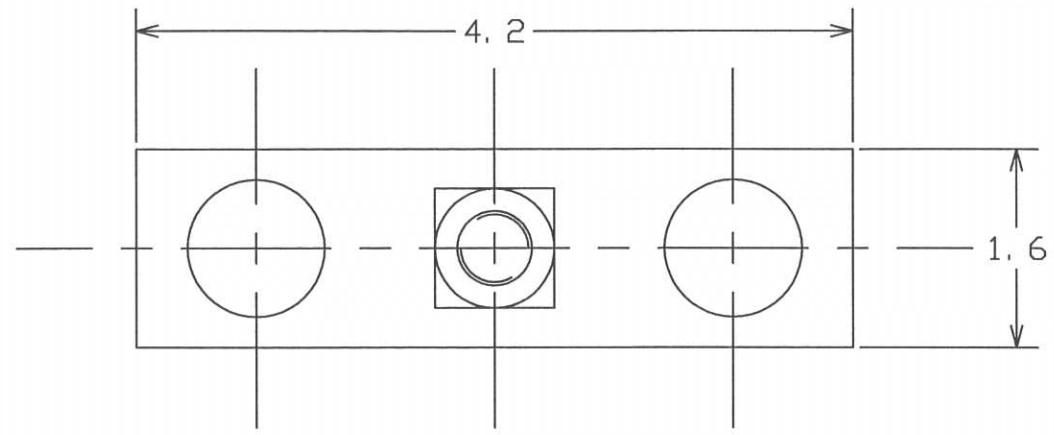



-NOTES-

1. MAT'L: H. R. STEEL, HOT DIP GALV. PER ASTM A153 (LATEST REV.)
2. ACCOMMODATES STRAND SIZES 1/4" TO 7/16".



1/2 X 1-5/8 CARR.  
BOLT AND SQ. NUT  
(3 PLACES)

CATALOG NO. 6449

|   |                 |   |                            |
|---|-----------------|---|----------------------------|
| <b>CHANCE</b><br>TOLERANCE CHART  |                 |  <b>HUBBELL POWER SYSTEMS</b><br>POWER SYSTEMS, INC. |                            |
| CONFIDENTIAL: THIS DRAWING AND ITS CONTENTS ARE CONFIDENTIAL AND THE EXCLUSIVE PROPERTY OF HUBBELL POWER SYSTEMS. NO PUBLICATION, DISTRIBUTION OR COPIES MAY BE MADE WITHOUT THE WRITTEN CONSENT OF HUBBELL POWER SYSTEMS. HUBBELL POWER SYSTEMS UNPUBLISHED. ALL RIGHTS RESERVED UNDER THE COPYRIGHT LAWS. |                 | TITLE<br><b>MEDIUM TYPE GUY CLAMP</b>   |                            |
| SIZE<br>SB SA6449   | DWG NO.<br>6449 | CAT / PART / ASSY NO.<br>6449   | REV<br>---                 |
| DO NOT SCALE THIS DRAWING   |                 | DRN BY WILSON   | DATE 05/20/11 SHEET 1 OF 1 |