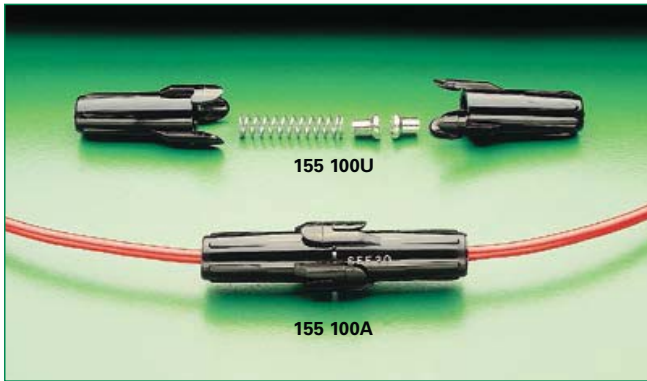
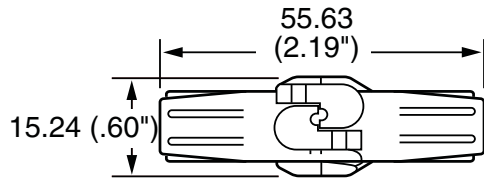


155 Series Twist-Lock In-Line Holders for 3AG Fuses



Dimensions



Product Characteristics

Compatible Fuses	For low voltage 3AG or SFE Fuse Applications
Electrical	Intended for use at 32 volts or less with fuses rated up to 20 amperes when the proper spring is installed for fuse size.
Molded Parts	Black Thermoplastic (UL94 V-2). Body halves have a .14" diameter hole for insulated wire.
Ambient Temperature	-40°C to +75°C.
Contact Rivet	Brass. Nickel plating. Designed to accommodate #14 AWG stranded wire.
Assembled	Includes fuse listed and 19" loop of #14 AWG red vinyl insulated wire.
Unassembled	For assembly to #14 AWG wire.
Options	150 215 is similar to 155 120A except no fuse is supplied. It is intended for use with 3AG fuses rated up to 20 amperes.
Universal In-Line Fuseholder 155 100	Supplied with 8" loop of #14 AWG red vinyl insulated wire and two springs in different lengths to accommodate SFE sized fuses.

* Please refer to Fuseology section for information on proper fuseholder de-rating.

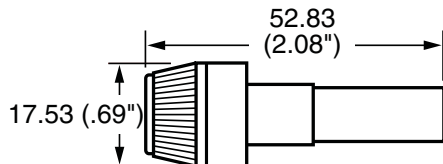
Ordering Information

Unassembled		Assembled	
Catalog Number	For Fuse Size	Catalog Number	Fuse Installed
155 104U	¼" × 5/8"	155 104A	SFE 4
155 106U	¼" × ¾"	155 106A	SFE 6
155 17.5U	¼" × 7/8"	155 17.5A	SFE 7 ½
155 109U	¼" × 7/8"	155 109A	SFE 9
155 114U	¼" × 1 1/16"	155 114A	SFE 14
155 120U	¼" × 1 ¼"	155 120A	SFE 20

155 Series Heavy-Duty Bayonet Knob In-Line Holders for 3AG Fuses



Dimensions



Product Characteristics

Compatible Fuses	For Low voltage 3AG or SFE Fuse Applications
Electrical	Intended for use at 32 volts or less with fuses rated up to 20 amperes when the proper spring is installed for full size.
Molded Parts	Body and knob are Black Thermoset (UL94 V-0). Both body and knob have a .20" diameter hole for insulated wire.
Knob	Bayonet-lock type metal insert.
Ambient Temperature	-40°C to +125°C.
Contact Rivet	Brass. Tin plated. Designed to accommodate #14 AWG stranded wire.
Assembled	Includes fuse listed and 19" loop of #14 AWG red vinyl insulated wire.
Unassembled	For assembly to #14 AWG wire.
Options	150 079 is similar to 155 020A except no fuse is supplied. It is intended for use with 3AG fuses rated up to 20 amperes.
Universal In-Line Fuseholder 150 145	Supplied with 15" loop of #14 AWG red vinyl insulated wire and three springs in different lengths to accommodate SFE sized fuses. Fuseholders with other wire sizes or lengths available on special order.

* Please refer to Fuseology section for information on proper fuseholder de-rating.

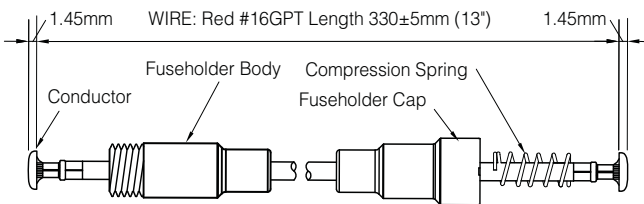
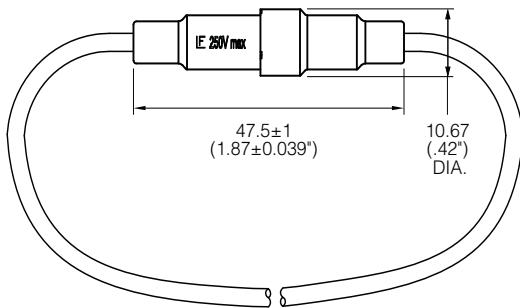
Ordering Information

Unassembled		Assembled	
Catalog Number	For Fuse Size	Catalog Number	Fuse Installed
155 004U	¼" × 5/8"	155 004A	SFE 4
155 006U	¼" × ¾"	155 006A	SFE 6
155 07.5U	¼" × 7/8"	155 07.5A	SFE 7 ½
155 009U	¼" × 7/8"	155 009A	SFE 9
155 014U	¼" × 1 1/16"	155 014A	SFE 14
155 020U	¼" × 1 ¼"	155 020A	SFE 20

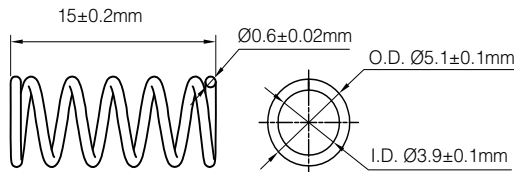
150 Series In-Line Holders for 2AG or 5x20mm Fuses



Dimensions



COMPRESSION SPRING:



Product Characteristics

Compatible Fuses	2AG or 5 x 20mm
Electrical	This fuseholder, part number 150274, is intended for use with 2AG and 5 x 20mm fuses. Maximum current ratings are 5 amperes at 250V for the 2AG size fuses and 10 amperes at 250V for the 5 x 20mm size fuses.**
Body	Black Nylon, UL94 V-0
Terminals	Brass
Wire	16 Awg size; Nominal o.d. 0.104"; color Red
Lead Pull Test	Will withstand 10 lb. pull.
Ambient Temperature	-40°C to +80°C.

NOTES:

- * Ensure that proper fuse de-rating is factored in fuseholder selection.
- ** If use above 32V, power must be turn off when changing the fuse.

Ordering Information

Ordering Number	Packaging
01500274Z	Bulk Pack (100 Pcs)