

# Self-Contained PIR Ceiling Mount Occupancy Sensor



ODCoS-I

## BASIC OPERATION

The ODCoS-I uses passive infrared (PIR) detection technology to monitor a room for occupancy through a segmented Fresnel lens. This specialized lens divides the field-of-view into sensor zones. When a person passes into or out of a sensor zone, the sensor detects motion and switches its lighting loads ON. The lights will remain ON as long as there is an occupant moving through the sensor zones.

## APPLICATIONS

Leviton's Self-Contained Passive Infrared Ceiling Occupancy Sensor is the cost-effective choice for commercial and institutional installations, where installation of the recessed ceiling unit is difficult, inconvenient or costly. Available in 120V, 220V and 277V versions, the ODCoS-I is ideal for:

- Storage areas
- Small bathrooms
- Retrofit
- Copy rooms
- Mop/sink closets
- Small spaces without wall switches.

The Self-Contained Ceiling Sensor does not require an external control unit for power or switching the load ON and OFF.

## FEATURES

- Sensor and switching relay in one unit—reduces labor and need for additional materials.
- 360° field-of-view with approximately 530 sq. ft. of coverage when mounted at 8 ft. This reduces the number of additional sensors typically required in many spaces.
- Adjustable Delayed-OFF time setting between 20 seconds and 15 minutes allows custom adjustment for maximum savings.
- Light Sensor - an ambient light override option can be set between 2 and 500+ foot candles and full brightness to prevent the sensor from switching lights ON when ample natural sunlight is available. Hold-OFF feature.
- Segmented Fresnel lens contains 79 segments for optimum sensitivity and detection performance.
- A standard A/C toggle switch may be used to provide manual-OFF override so that lights may be switched OFF.
- Red LED indicator light flashes when sensor detects motion, to verify power placement and function of sensor at installation.

## PRODUCT DATA



### INSTALLATION

The ideal location for the Self-Contained Occupancy Sensor unit is in a ceiling area that provides a full view of the space with an unobstructed path to the entrance way(s), but out of line from hallway traffic. The sensor should be positioned at least 6 feet from HVAC registers to prevent false triggering. The ODCoS-I may be mounted directly to a three or four-inch octagon box. The sensor wires directly to the lighting fixtures. An ODCCG protective cage is recommended to guard against accidental breakage.

### SPECIFICATIONS

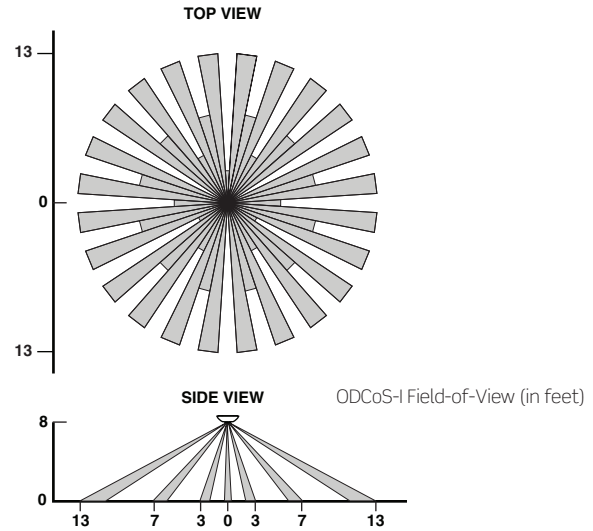
ELECTRICAL	-11W	-12W	-17W
Line Voltage	120V	220V	277V
Power Consumption	1.45W	1.31W	1.89W
Operational Frequency	60Hz	50Hz	60Hz
Load Rating Incandescent	1000W	1000W	1000W
Load Rating Fluorescent	1000VA	500VA	2700VA
Wire Designation	Line - black, Neutral - white, Load - blue		
ENVIRONMENTAL			
Operating Temperature	32°F - 122°F (0°C - 50°C)		
Storage Temperature	14°F - 185°F (-10°C - 85°C)		
Relative Humidity	20-90% Non-condensing		
OTHER			
Listings	UL Listed and CSA Certified, Complies with CEC Title 24, Complies with FCC Regulations		
Warranty	Limited Five-Year Warranty		

### ORDERING INFORMATION

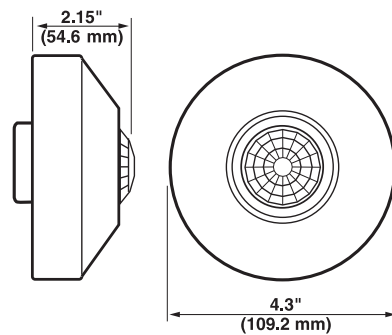
CAT. NO.	DESCRIPTION
ODCoS-11 ODCoS-12 ODCoS-17	Self-Contained Ceiling Mounted Occupancy Sensor & Switching Relay
ODCCG	Protective Cage

\* To indicate color, add suffix to the end of the catalog number. White (-W)

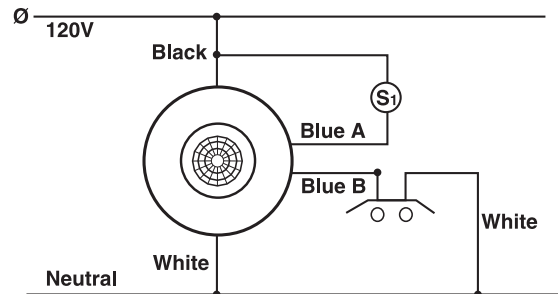
### FIELD-OF-VIEW



### DIMENSIONAL DIAGRAM



### WIRING DIAGRAMS



ODCoS-11 Wiring Diagram with optional switch for override to OFF  
\* Same wiring for all voltages.

### LEVITON SPECIFICATION SUBMITTAL

JOB NAME:	CATALOG NUMBERS:
JOB NUMBER:	

### Leviton Manufacturing Co., Inc. Lighting Management Systems

201 N. Service Rd. Melville, NY 11747-3138 Tech Line: 1-800-824-3005 Fax: 1-800-832-9538 www.leviton.com/lms

### Leviton Manufacturing of Canada, Ltd.

165 Hymus Boulevard, Pointe Claire, Quebec H9R 1E9 • Telephone: 1-800-469-7890 • FAX: 1-800-563-1853

### Leviton S. de R.L. de C.V.

Lago Tana 43, Mexico DF, Mexico CP 11290 • Tel. (+52) 55-5082-1040 • FAX: (+52) 5386-1797 • www.leviton.com.mx

### Visit our Website at: [www.leviton.com/lms](http://www.leviton.com/lms)

© 2010 Leviton Manufacturing Co., Inc. All rights reserved. Subject to change without notice.

G-8334/110-ak  
REV SEP 2010