



UPC Code: 07847781546

NEMA:
5-20R



CR020

Brand Features

Leviton's line of Heavy-Duty Specification Grade receptacles are designed and manufactured to withstand the most demanding environments. Available in a wide variety of configurations, including isolated ground, tamper-resistant, etc., these Commercial Grade devices are the electrical contractor's choice for use in hotels, schools, hospitals and commercial office buildings.

Item Description

Duplex Receptacle Outlet, Commercial Specification Grade, Smooth Face, 20 Amp, 125 Volt, Side Wire, NEMA 5-20R, 2-Pole, 3-Wire, Self-Grounding - Brown

Technical Information

AC Horsepower Ratings

At Rated Voltage: 1 HP

Electrical Specifications

Dielectric Voltage: Withstands 2000V per UL498

Current Limiting: Full Rated Current

Amperage: 20 A

Grounding: Self-Grounding

Pole: 2

Voltage: 125 VAC

Wire: 3

Environmental Specifications

Flammability: Rated V-2 per UL94

Operating Temperature: -40°C to 60°C

Material Specifications

Face Material: Nylon

Body Material: Nylon

Line Contacts: Brass Double Wipe .031 Thick

Terminal Screws: Steel 8-32

Grounding Screw: Steel 8-32

Yoke: Zinc-Plated Steel

Ground Clips: Brass-Plated

Mechanical Specifications

Terminal ID: Brass-Hot, Green-Ground, White-Neutral

Terminal Accom.: 14-10 AWG

Product ID: Ratings are permanently marked on device

Termination: Side Wire

Product Features

Grounding: Self-Grounding

Feature: Smooth Face

Amperage: 20 A

Voltage: 125 VAC

NEMA: 5-20R

Pole: 2

Wire: 3

Termination: Side Wire

Face Material: Nylon

Body Material: Nylon

Strap Material: Steel

Color: Brown

Standards and Certifications: UL/CSA

Warranty: 10 Year Limited

Device Type: Duplex Receptacle Outlet

Feature 4: Smooth Face

Grade: Commercial Specification Grade

Standards and Certifications

NEMA: WD-2 WD-6

ANSI: C-73

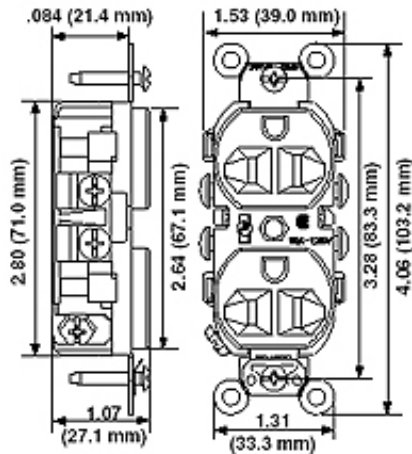
UL498: File E13399

UL Fed Spec WC-596: File E13399

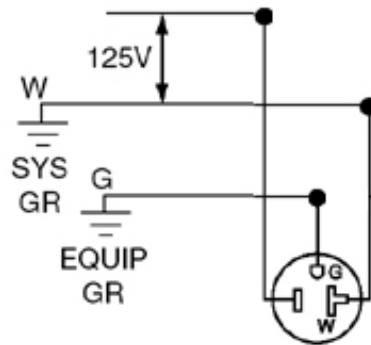
CSA C22.2 No. 42: File 152105

NOM: 057

Dimensional Diagram



Wiring Diagram



5-20R

SPECIFICATION SUBMITTAL

JOB NAME: <input type="text"/>	CATALOG NUMBERS: <input type="text"/>	
JOB NUMBER: <input type="text"/>	<input type="text"/>	<input type="text"/>

Leviton Manufacturing Co., Inc.

201 North Service Road, Melville, NY 11747

Teléfono: +1-800-323-8920 · FAX: +1-800-832-9538 · Tech Line (8:30AM-7:30PM E.S.T. Monday-Friday): +1-800-824-3005

Leviton Manufacturing of Canada, Ltd.

165 Hymus Boulevard, Pointe Claire, Quebec H9R 1E9 · Telephone: +1-800-469-7890 ·

FAX: +1-800-824-3005 · www.leviton.com/canada

Leviton S. de R.L. de C.V.

Lago Tana 43, Mexico DF, Mexico CP 11290 · Tel.: (+52)55-5082-1040 · FAX: (+52)5386-

1797 · www.leviton.com.mx

Visit our Website at: www.leviton.com

© 2018 Leviton Manufacturing Co., Inc. Todos los derechos reservados. Subject to change without notice.

Leviton has a global presence.

If you would like to know where your local Leviton office is located please go to:

www.leviton.com/international/contacts/

