

2756

Brand Features

Leviton's industry leading locking devices, such as our Black & White line of industrial grade plugs and connectors and our V-0-Max line of industrial grade flush receptacles, offer superior performance, long lasting reliability and other features that are backed by a lifetime warranty.

Item Description

30 Amp, 120/208 Volt 3-Phase Y, NEMA L18-30R, 4P, 4W, Flanged Outlet Locking Receptacle, Industrial Grade, Non-Grounding - WHITE

Technical Information

AC Horsepower Ratings

At Rated Voltage: 3 HP

Electrical Specifications

Amperage: 30 A

Current Limiting: Full Rated Current

Dielectric Voltage: Withstands 2000V per UL498

Grounding: Non-Grounding

Pole: 4

Temperature Rise: Max 30C after 250 cycles OL at 200 percent rated current

Voltage: 120/208 VAC

Wire: 4

Phase: 3-Phase WYE

Environmental Specifications

Environment: Dry

Flammability: Rated V-2 per UL 94

Operating Temperature: -40°C to 60°C

Material Specifications

Body Material: Nylon

Color: White

Face Material: Nylon

Grounding Screw: Brass 8-32

Line Contacts: Solid Brass

Strap Material: Thermoplastic Nylon

Terminal Screws: Brass 10-32

Mechanical Specifications

Product ID: Ratings and NEMA I.D. permanently marked on device

Terminal Accom.: 18-10 AWG

Terminal ID: Brass-Hot, Green-Ground, Silver-Neutral

Termination: Back

Product Features

Brand: Black and White

Color: White

Device Type: Locking Flanged Outlet

NEMA: L18-30R

Standards and Certifications

ANSI: C-73

CSA C22.2 No. 42: File LR-406

NEMA: WD-6

NOM: 057

UL498: File E13393

UL Fed Spec WC-596: File E13393

Warranty: Lifetime Warranty



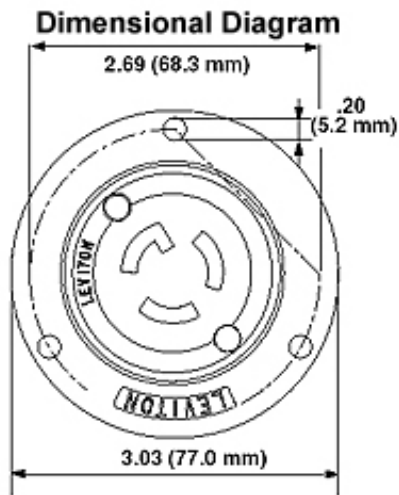
Color: White

UPC Code: 07847780649

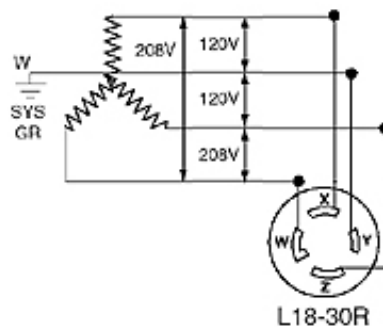
Country Of Origin: United States

NEMA:
L18-30R





Wiring Diagram



SPECIFICATION SUBMITTAL

JOB NAME: <input style="width: 95%;" type="text"/>	CATALOG NUMBERS: <input style="width: 95%;" type="text"/>
JOB NUMBER: <input style="width: 95%;" type="text"/>	<input style="width: 95%;" type="text"/>

Leviton Manufacturing Co., Inc.

201 North Service Road, Melville, NY 11747

Teléfono: +1-800-323-8920 · FAX: +1-800-832-9538 · Tech Line (8:30AM-7:30PM E.S.T. Monday-Friday): +1-800-824-3005

Leviton Manufacturing of Canada, Ltd.

165 Hymus Boulevard, Pointe Claire, Quebec H9R 1E9 · Telephone: +1-800-469-7890 ·

FAX: +1-800-824-3005 · www.leviton.com/canada

Leviton S. de R.L. de C.V.

Lago Tana 43, Mexico DF, Mexico CP 11290 · Tel.: (+52)55-5082-1040 · FAX: (+52)5386-

1797 · www.leviton.com.mx

Visit our Website at: www.leviton.com

© 2018 Leviton Manufacturing Co., Inc. Todos los derechos reservados. Subject to change without notice.

Leviton has a global presence.

If you would like to know where your local Leviton office is located please go to:

www.leviton.com/international/contacts/

