



UPC Code: 07847782158

Country Of Origin: Mexico

3430-G

Brand Features

Leviton's line of Extra Heavy-Duty Industrial Grade locking receptacles are designed and manufactured to withstand the harsh conditions typically associated with industrial environments. Available in a wide variety of configurations, including isolated ground, tamper-resistant, hospital grade, etc., these Industrial Grade devices are the electrical contractor's choice for use in factories, schools, hospitals and commercial office buildings.

Item Description

30 Amp, 250 Volt DC/600 Volt AC, Non-NEMA, 3P, 4W, Flush Mtg Locking Receptacle, Industrial Grade, Grounding - BLACK

Technical Information

Electrical Specifications

Amperage: 30 A

Current Limiting: Full Rated Current

Dielectric Voltage: Withstands 2000V per UL498

Grounding: Grounding

Pole: 3

Temperature Rise: Max 30C after 250 cycles OL at 200 percent rated current

Voltage: 250 VAC

Wire: 4

Environmental Specifications

Environment: Dry

Flammability: Rated V-2 per UL 94

Operating Temperature: -40°C to 60°C

Material Specifications

Base Material: Nylon

Color: Black

Face Material: Nylon

Grounding Screw: Brass 8-32

Line Contacts: Brass .040 Thick

Strap Material: Nickel-Plated Brass

Terminal Screws: Brass 10-32

Yoke: Nickel-Plated Brass .050 Thick

Mechanical Specifications

Product ID: Ratings and NEMA I.D. permanently marked on device

Terminal Accom.: 18-10 AWG

Terminal ID: Brass-Hot, Green-Ground, Silver-Neutral

Termination: Back & Side

Product Features

Color: Black

Standards and Certifications

ANSI: C-73

CSA C22.2 No. 42: File LR-406

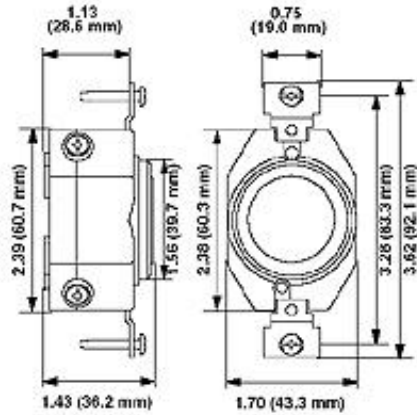
NEMA: WD-6

NOM: 057

UL498: File E13399

Warranty: Lifetime Warranty

Dimensional Diagram



SPECIFICATION SUBMITTAL

JOB NAME: <input type="text"/>	CATALOG NUMBERS: <input type="text"/>	<input type="text"/>
JOB NUMBER: <input type="text"/>	<input type="text"/>	<input type="text"/>

Leviton Manufacturing Co., Inc.

201 North Service Road, Melville, NY 11747

Teléfono: +1-800-323-8920 · FAX: +1-800-832-9538 · Tech Line (8:30AM-7:30PM E.S.T. Monday-Friday): +1-800-824-3005

Leviton Manufacturing of Canada, Ltd.

165 Hymus Boulevard, Pointe Claire, Quebec H9R 1E9 · Telephone: +1-800-469-7890 ·

FAX: +1-800-824-3005 · www.leviton.com/canada

Leviton S. de R.L. de C.V.

Lago Tana 43, Mexico DF, Mexico CP 11290 · Tel.: (+52)55-5082-1040 · FAX: (+52)5386-

1797 · www.leviton.com.mx

Visit our Website at: www.leviton.com

© 2018 Leviton Manufacturing Co., Inc. Todos los derechos reservados. Subject to change without notice.

Leviton has a global presence.

If you would like to know where your local Leviton office is located please go to:

www.leviton.com/international/contacts/

