



UPC Code: 07847714695

Country Of Origin: Mexico

NEMA:
5-20R



5362-S

Brand Features

Leviton's line of Extra Heavy-Duty Industrial Grade receptacles are designed and manufactured to withstand the harsh conditions typically associated with industrial environments. Available in a wide variety of configurations, including isolated ground, tamper-resistant, hospital grade, etc., these Industrial Grade devices are the electrical contractor's choice for use in factories, schools, hospitals and commercial office buildings.

Item Description

Duplex Receptacle Outlet, Heavy-Duty Industrial Specification Grade, Smooth Face, 20 Amp, 125 Volt, Back or Side Wire, NEMA 5-20R, 2-Pole, 3-Wire, Self-Grounding - Brown

Technical Information

AC Horsepower Ratings

At Rated Voltage: 1 HP

Electrical Specifications

Grounding: Self-Grounding

Amperage: 20 A

Voltage: 125 VAC

Pole: 2

Wire: 3

Dielectric Voltage: Withstands 2000V per UL498

Current Limiting: Full Rated Current

Temperature Rise: Max 30C after 250 cycles OL at 200 percent rated current

Environmental Specifications

Flammability: Rated V-2 per UL 94

Operating Temperature: -40°C to 60°C

Material Specifications

Face Material: Nylon

Body Material: Nylon

Strap Material: Galvanized Steel with Riveted Ground Contacts

Line Contacts: Brass Triple-Wipe

Terminal Screws: Brass 10-32

Grounding Screw: Steel 8-32

Clamp Nuts: Galvanized Steel

Ground Clips: Brass

Color: Brown

Mechanical Specifications

Terminal ID: Brass-Hot, Green-Ground, Silver-Neutral

Terminal Accom.: 14-10 AWG

Product ID: Ratings are permanently marked on device

Torque Range: 14-16 inch pounds

Termination: Back or Side Wire

Product Features

NEMA: 5-20R

Color: Brown

Device Type: Duplex Receptacle Outlet

Feature 4: Smooth Face

Grade: Heavy-Duty Industrial Specification Grade

Standards and Certifications

NEMA: WD-1 & WD-6

ANSI: C-73

UL498: File E13399

UL Fed Spec WC-596: File E13399

CSA C22.2 No. 42: File 152105

NOM: 057

Warranty: 2 Year Limited

Patents*

CA2483480

US6743029

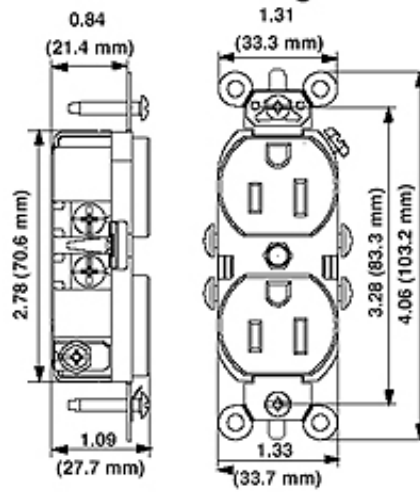
MX257790

US8684771

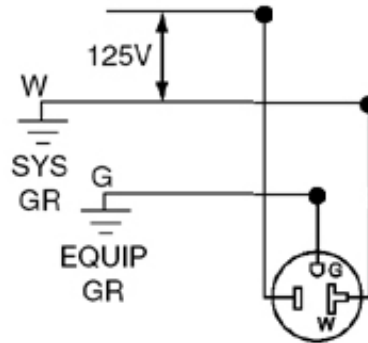
MX321216

*This list is provided for patent marking purposes only. A good faith effort is made to maintain the accuracy and completeness of this list. No legal inference should be drawn from the omission of a patent from this list.

Dimensional Diagram



Wiring Diagram



5-20R

SPECIFICATION SUBMITTAL

JOB NAME:	CATALOG NUMBERS:	
<input type="text"/>	<input type="text"/>	<input type="text"/>
JOB NUMBER:	<input type="text"/>	<input type="text"/>

Leviton Manufacturing Co., Inc.

201 North Service Road, Melville, NY 11747

Teléfono: +1-800-323-8920 · FAX: +1-800-832-9538 · Tech Line (8:30AM-7:30PM E.S.T. Monday-Friday): +1-800-824-3005

Leviton Manufacturing of Canada, Ltd.

165 Hymus Boulevard, Pointe Claire, Quebec H9R 1E9 · Telephone: +1-800-469-7890 ·

FAX: +1-800-824-3005 · www.leviton.com/canada

Leviton S. de R.L. de C.V.

Lago Tana 43, Mexico DF, Mexico CP 11290 · Tel.: (+52)55-5082-1040 · FAX: (+52)5386-

1797 · www.leviton.com.mx

Visit our Website at: www.leviton.com

© 2018 Leviton Manufacturing Co., Inc. Todos los derechos reservados. Subject to change without notice.

Leviton has a global presence.

If you would like to know where your local Leviton office is located please go to:

www.leviton.com/international/contacts/

