

## Twist-Lock® Devices

20A, 125V AC, 2 Pole, 3 Wire Grounding

## Watertight Safety-Shroud® Receptacle

### Features

- UL type 4X environmental seal while in use and when closed
- High impact, thermoplastic housing for heavy-duty industrial environments
- Alignment arrows with lock and unlock symbols provide a visual indication that devices are properly connected
- Catalog number and color coded voltage rating are visible even when in use

### Ordering Information

Description	Device Color	UPC	Catalog Number
PBT housing and flange.	Gray	783585231006	HBL2310SW

### Standards

Listed to UL 498  
Fed.Spec. W-C-596  
Certified to CSA C22.2 No.42  
UL Listed, CSA Certified to Type 4, 4X and Type 12

### Specifications

Housing / Cover	Gray RPT
Terminal Retainer	Clear polycarbonate
Body Contact Carrier	Natural (white) nylon
Drive Screws	Steel, zinc plated
Contacts	Brass
Lift-Cover Spring & Pin	Stainless Steel

### Performance

<b>Electrical</b>	
Current Interrupting	Certified for current interrupting at full rated current
Dielectric Voltage	Withstands 2,000V minimum

### Mechanical

Terminal Accommodation	#16 AWG - #8 AWG solid or stranded copper wire only.
Terminal Identification	Terminals identified in accordance with UL 498

### Environmental

Flammability	V2 or better per UL94/CSA 22.2 No.0.17
Moisture Resistance	IP20 Suitability
Operating Temperatures	Maximum Continuous 75°C; Minimum -40°C (w/o impact)

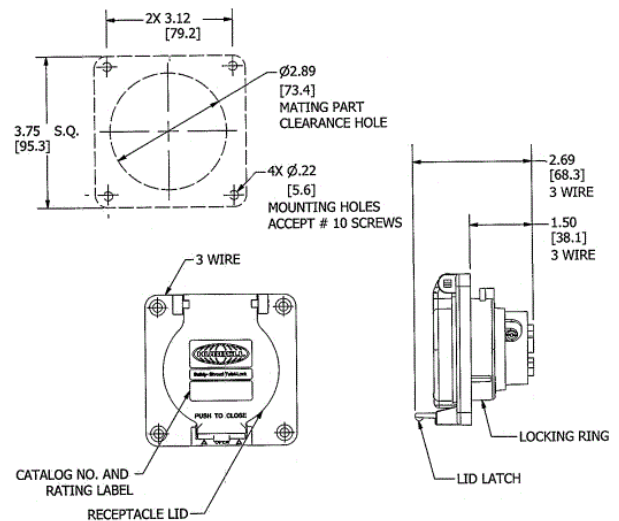
### Accessories

Watertight Safety Shroud Plug	<b>HBL2311SW</b>
Non-Metallic Backbox	<b>BB2030N</b>
2-Gang Weatherproof Box Adapter Plate	<b>HBL2030AP</b>
Mechanical Interlock	<b>HBLMITL</b>

### Online Resources

eCatalog

# HUBBELL



Dimensions in Inches (mm)

Hubbell Wiring Device-Kellems • Hubbell Incorporated (Delaware) • 40 Waterview Drive • Shelton, CT 06484

Phone (800) 288-6000 • Fax (800) 255-1031 • Specifications subject to change without notice.

