

Twist-Lock® Devices
 20A, 277V AC, 2 Pole, 3 Wire Grounding
 Watertight Safety-Shroud® Plug

HUBBELL

Features

- Impact resistant shroud protects blades against bending and breaking.
- Reduces exposure to arcing when connecting or disconnecting under load.
- Superior cord grip design protects terminations from excess strain.

Ordering Information

| Description | Cord Diameter | UPC | Catalog Number |
|---|--------------------|--------------|----------------|
| Black PBT housing, white PBT clamps. | .360"-.930" (9-24) | 783585231204 | HBL2331SW |

Listings

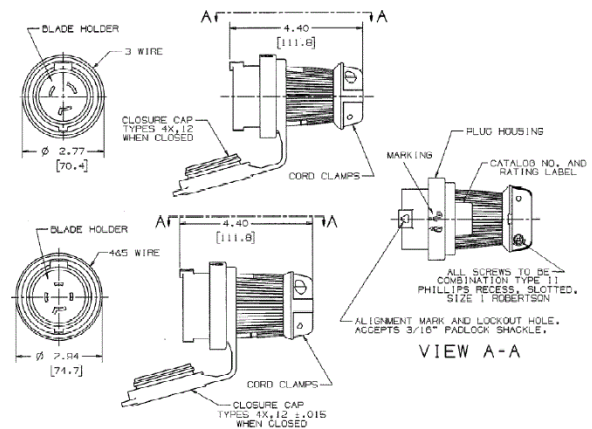
Listed to UL 498
 Fed.Spec. W-C-596
 Certified to CSA C22.2 No.42
 UL Listed, CSA Certified to Type 4, 4X and Type 12

Specifications

| | |
|----------------------|---|
| Housing / Cord Clamp | PBT |
| Terminal Retainer | Clear polycarbonate |
| Blades | Brass |
| Terminal Screws | #10-32 Brass (Phillips / Slotted / Robertson) |
| Terminal Clamp | Cold rolled steel – nickel plated |
| Assembly Screws | Stainless Steel |
| Watertight Gland | Neoprene |
| Closure Plug | Santoprene |

Performance

| | |
|-------------------------|--|
| Electrical | |
| Current Interrupting | Certified for current interrupting at full rated current |
| Dielectric Voltage | Withstands 2,000V minimum |
| Mechanical | |
| Terminal Accommodation | #16 AWG - #8 AWG stranded copper wire only. |
| Terminal Identification | Terminals identified in accordance with UL 498 |
| Environmental | |
| Flammability | V0 per UL94 or CSA 22.2 No.0.17 |
| Moisture Resistance | Type 4, 4X, 12, IP66 suitability |
| Operating Temperatures | Maximum Continuous 75°C Minimum -40°C (w/o impact) |



Accessories

| | |
|-------------------------------------|-----------|
| Watertight Safety Shroud Connector | HBL2333SW |
| Watertight Safety Shroud Receptacle | HBL2330SW |

Resources

Customer Use Drawing
 eCatalog

Dimensions in Inches (mm)

Hubbell Wiring Device-Kellems • Hubbell Incorporated (Delaware) • 40 Waterview Drive • Shelton, CT 06484

Phone (800) 288-6000 • Fax (800) 255-1031 • Specifications subject to change without notice.

