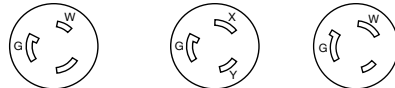


**30 Amp, 125, 250 Volts and 277 Volts AC
2 Pole, 3 Wire, Grounding**



30A 125V NEMA L5-30R 2 HP	30A 250V NEMA L6-30R 2 HP	30A 277V AC NEMA L7-30R 3 HP
---------------------------------	---------------------------------	------------------------------------

Connector Bodies

Watertight Safety-Shroud®

Description	Cord Dia.	IP66 SUITABILITY	UL Type 4x, 12	Catalog Number
Black Valox® housing, white Valox® clamps.	.360"-.930" (9-24)			HBL2613SW HBL2623SW -
Reverse service, black Valox® housing, white Valox® clamps (use with HBL2615SWR), (Not shown).	.360"-.930" (9-24)			HBL2613SR - -



HBL2613SW

Insulgrip®

Description	Cord Dia.	IP20 SUITABILITY	Catalog Number
Black and white nylon.	.360"-.930" (9-24)		HBL2613 HBL2623 HBL2633
Heat stabilized, gray nylon, 220° F (104° C).	.360"-.930" (9-24)		HBL2613F HBL2623F -
Corrosion resistant, yellow nylon.	.360"-.930" (9-24)		HBL26CM13 HBL26CM23 -
All black nylon.	.360"-.930" (9-24)		HBL2613BK HBL2623BK -

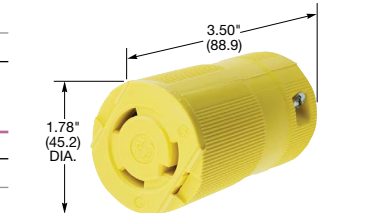


HBL2623

Note: See page B-52 for accessories.

Valise®

Description	Cord Dia.	IP20 SUITABILITY	Catalog Number
Yellow nylon.	.590"-.930" (15.0-23.6)		HBL2613VY HBL2623VY -
Corrosion resistant, yellow nylon.	.590"-.930" (15.0-23.6)		HBL26CM13V - -
Black nylon.	.590"-.930" (15.0-23.6)		HBL2613VBK HBL2623VBK -
Cord clamps with removable inserts. All black nylon.	.360"-.930" (9-24)		- HBL2623EBK -



HBL2613VY

Note: See page B-53 for accessories.

Receptacles

Watertight Safety-Shroud®

Description	IP66 SUITABILITY	UL Type 4x, 12	Catalog Number
Gray Valox® housing and flange, back wired.			HBL2610SW HBL2620SW -

Note: See page B-54 for accessories.

Safety-Shroud® Twist-Lock®

Description	IP20 SUITABILITY	Catalog Number
Gray Valox® angle housing, one gang, back wired.		HBL2610AR HBL2620AR -
Gray Valox® surface mounting, one gang, back wired.		HBL2610SR HBL2620SR -
Gray Valox® semi-flush, two gang, back wired.		HBL2610SR2 HBL2620SR2 -

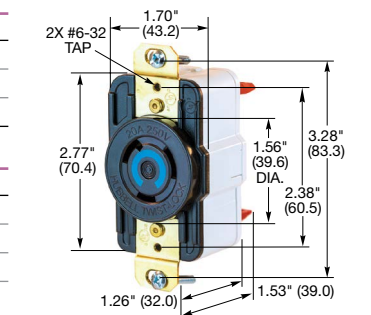


HBL2610SW

Single Flush Receptacles

Description	IP20 SUITABILITY	Catalog Number
Black nylon face, back and side wired.		HBL2610 HBL2620 HBL2630
Black nylon face, spring terminals.		HBL2610ST HBL2620ST -
Blue nylon face, back and side wired.		HBL2610M6 HBL2620M6 -
Isolated ground, orange nylon face, back and side wired.		IG2610 IG2620 -
Corrosion resistant, yellow nylon face, back and side wired.		HBL26CM10 HBL26CM20 -
Ring terminal connection.		HBL2610RT HBL2620RT -

Note: See page B-52 for accessories.

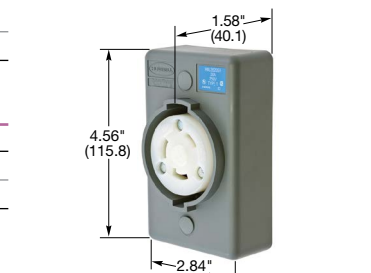


HBL2610ST

Insulgrip® Flanged Receptacles

Description	Catalog Number
Nylon casing, back wired.	HBL2616 HBL2626 HBL2636
Heat stabilized, gray nylon, 220° F (104° C).	HBL2616F HBL2626F -

Note: See page B-52 for accessories.



HBL2620SR

Twist-Lock® Single Receptacles

Description	Catalog Number
Spring termination locking receptacles.	HBL2610ST HBL2620ST -

Valox® is a trademark of SABIC Innovative Plastics, acquired from General Electric Company.

Dimensions in Inches (mm)