

CONTINUOUS HINGE WITH FLANGE TROUGH COLLAR, TYPE 12

APPLICATION

Used in automotive and other applications that require an outward formed external flange trough collar to keep out liquids and contaminants. These enclosures feature tool-to-open latches for securing cover.

SPECIFICATIONS

- 16 gauge body, 16 or 14 gauge door
- External formed body flange channels away liquids
- Continuous hinge
- Bonding provision on door
- Heavy-duty, tool-to-open, plated latches
- Oil-resistant gasket
- External welded-on mounting brackets for easy installation
- Weldnuts provided for mounting optional panels and terminal block kits
- Seams continuously welded and ground smooth

FINISH

ANSI 61 gray polyester powder paint inside and out

ACCESSORIES

Panels for Junction Boxes
 Junction Box and Wall-Mount Enclosure Swing Out Panel Kit
 Terminal Block Kit Assembly for Junction Boxes
 Steel and Stainless Steel Window Kits

MODIFICATION AND CUSTOMIZATION

Hoffman excels at modifying and customizing products to your specifications. Contact your local Hoffman sales office or distributor for complete information.

BULLETIN: A51

INDUSTRY STANDARDS

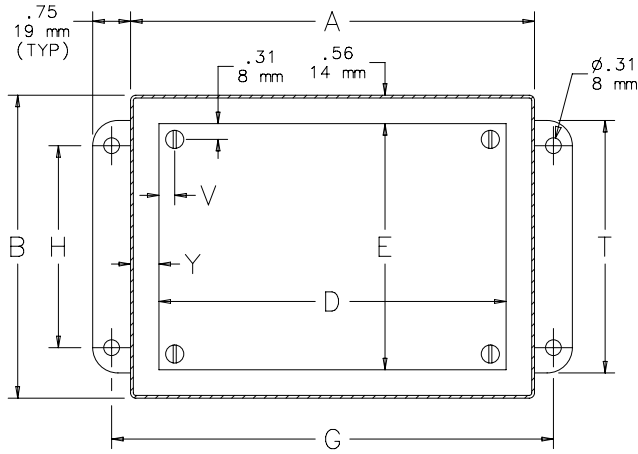
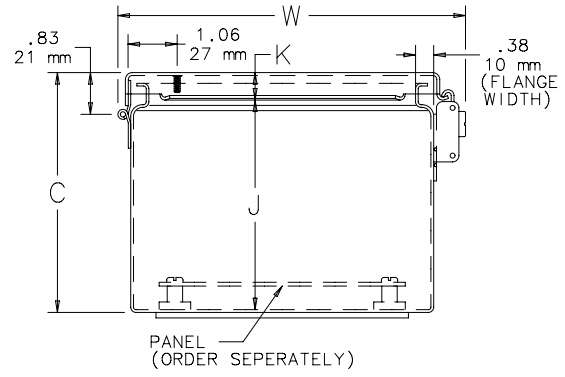
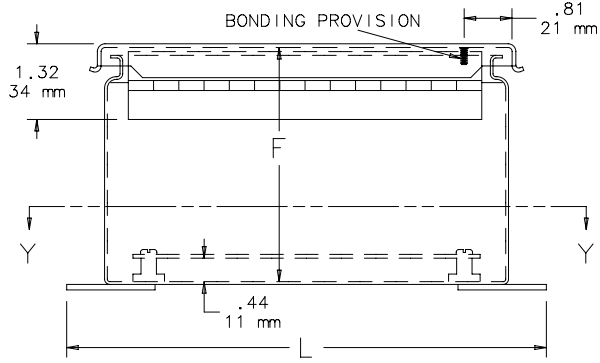
UL 50, 50E Listed; Type 12, 13; File No. E27567
 cUL Listed per CSA C22.2 No. 94; Type 12, 13; File No. E27567
 UL 508A Listed; Type 12, 13; File No. E61997
 cUL Listed per CSA C22.2 No. 94; Type 12, 13; File No. E61997

NEMA/EEMAC Type 12, 13
 CSA, File No. 42184, Type 12, 13
 IEC 60529, IP65

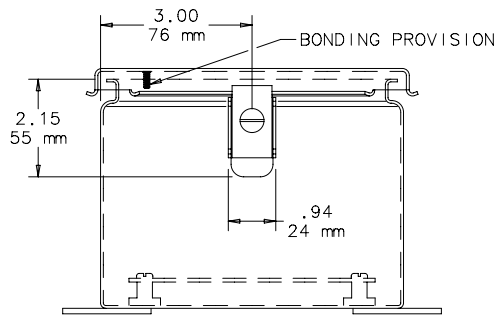
Standard Product

Catalog Number	AxBxC in./mm	Panel	UL Listed	Conductive Panel	Panel Size D x E in./mm	Mounting G x H in./mm	Overall L x W in./mm	F in./mm	J in./mm	K in./mm	T in./mm	V in./mm	Y in./mm
A604CHFTC	6.00 x 4.00 x 4.75	A6P4	508A	A6P4G	4.88 x 2.88	6.75 x 2.00	7.50 x 4.88	4.10	4.21	0.54	3.00	0.31	0.56
	152 x 102 x 121				171 x 51	190 x 124	104	107	14	76	8	14	
A606CHFTC	6.00 x 6.00 x 4.75	A6P6	50, 50E	A6P6G	4.88 x 4.88	6.75 x 4.00	7.50 x 6.88	4.10	4.21	0.54	5.00	0.31	0.56
	152 x 152 x 121				171 x 102	190 x 175	104	107	14	127	8	14	
A806CHFTC	8.00 x 6.00 x 4.75	A8P6	50, 50E	A8P6G	6.75 x 4.88	8.75 x 4.00	9.51 x 6.88	4.10	4.21	0.56	5.00	0.25	0.56
	203 x 152 x 121				222 x 102	242 x 175	104	107	14	127	6	14	
A1008CHFTC	10.00 x 8.00 x 4.75	A10P8	50, 50E	A10P8G	8.75 x 6.88	10.75 x 6.00	11.50 x 8.88	4.10	4.21	0.56	7.00	0.25	0.56
	254 x 203 x 121				273 x 152	292 x 226	104	107	14	178	6	14	
A1210CHFTC	12.00 x 10.00 x 5.75	A12P10	50, 50E	A12P10G	10.75 x 8.88	12.75 x 8.00	13.50 x 10.88	5.10	5.21	0.56	9.00	0.25	0.87
	305 x 254 x 146				324 x 203	343 x 276	130	132	14	229	6	22	
A1412CHFTC	14.00 x 12.00 x 6.75	A14P12	50, 50E	A14P12G	12.75 x 10.88	14.75 x 10.00	15.50 x 12.88	6.10	6.21	0.56	11.00	0.25	0.87
	356 x 305 x 171				324 x 276	375 x 254	155	158	14	279	6	22	
A1614CHFTC	16.00 x 14.00 x 6.75	A16P14	50, 50E	A16P14G	14.75 x 12.88	16.75 x 12.00	17.50 x 14.88	6.10	6.21	0.56	13.00	0.25	0.87
	406 x 356 x 171				375 x 327	425 x 305	155	158	14	330	6	22	

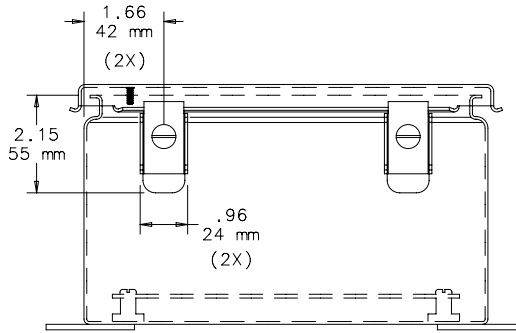
Purchase panels separately. Optional stainless steel, conductive, composite and aluminum panels are available for most sizes.



SECTION Y-Y



A ≤ 8.00 (203mm)



A ≥ 8.00 (203mm)

C2808-C