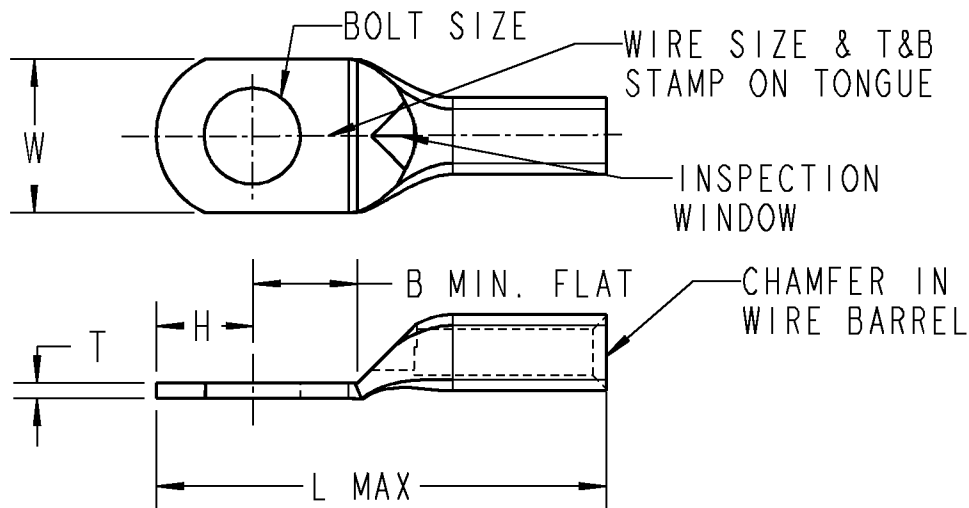




T&B Sta-Kon



THIS DRAWING REPLACES PREVIOUS SALES DRAWING BS53413



(MEETS & EXCEEDS REQUIREMENTS OF MIL-T-7928F)

| T&B CAT. NO | MS NO. | WIRE SIZE | BOLT SIZE | L | W | H | B | T | S |
|-------------|--------------|-----------|-----------|------|-----|-----|-----|-----|-------|
| D-10161 | MS-20659-140 | AN8 | 8 | 1.15 | .41 | .20 | .28 | .08 | 13/32 |
| D-10361 | MS-20659-107 | 8 AWG | 10 | 1.15 | .41 | .20 | .24 | .08 | |
| D-10711 | MS-20659-141 | | 1/4 | 1.20 | .45 | .23 | .27 | .07 | |
| D-10721 | MS-20659-108 | 14-23 | 5/16 | 1.26 | .56 | .28 | .34 | .06 | |
| D-10731 | MS-20659-129 | NAVY | 3/8 | 1.28 | .56 | .28 | .34 | .06 | |
| E-10261 | MS-20659-130 | AN6 | 10 | 1.30 | .49 | .24 | .28 | .07 | 15/32 |
| E-10711 | MS-20659-109 | 6 AWG | 1/4 | 1.30 | .49 | .24 | .28 | .07 | |
| E-10721 | MS-20659-131 | 23-30 | 5/16 | 1.41 | .60 | .30 | .34 | .06 | |
| E-10731 | MS-20659-110 | NAVY | 3/8 | 1.41 | .60 | .30 | .34 | .06 | |
| F-10261 | MS-20659-144 | AN4 | 10 | 1.37 | .55 | .27 | .30 | .08 | 1/2 |
| F-10711 | MS-20659-111 | 4 AWG | 1/4 | 1.37 | .55 | .27 | .30 | .08 | |
| F-10721 | MS-20659-132 | 40-50 | 5/16 | 1.45 | .62 | .31 | .34 | .08 | |
| F-10731 | MS-20659-112 | NAVY | 3/8 | 1.42 | .62 | .31 | .34 | .08 | |

GENERAL NOTES

- ALL DIMENSIONS ARE FOR REFERENCE ONLY.
- DIMENSIONS IN BRACKETS [] ARE IN METRIC UNITS.

REVISIONS

- SEE ERN (2005618) FOR APPROVAL SIGNATURES & RELEASE DATE.
PROJECT NO: TM401323

Thomas & Betts
www.tnb.com

DESCRIPTION: **UNINSULATED STA-KON TERMINALS CONFORMING TO MS-20659 FOR 8 , 6 & 4 WIRE**

ORIGINAL PROJECT NO / (ERN NO)

TM401323 / (2005618)

SHEET NO:

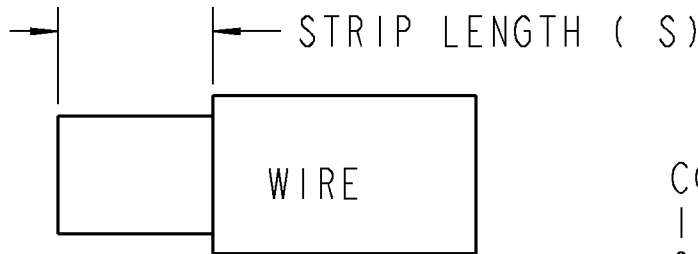
1 OF 2

REV. NO:

-

DRAWING NO:

WSD-000168

**T&B****Sta-Kon****COMMERCIAL APPLICATION:**

1. TBM6 & DIES
2. WT-115A
3. 13400 & DIES
4. POWER TOOL 13642M & DIES

MATERIAL : COPPER (HIGH CONDUCTIVITY)

FINISH: ELECTRO-TIN PLATE(MIL-T-10727)

CATALOG NO. WITH NP SUFFIX: NICKEL PLATING

CATALOG NO. WITH SP SUFFIX: SILVER PLATING

INSTALLING TOOLS:**CLASS 1**

1-AN-3427-TOOL

2-MS-25441-1 TOOL WITH DIES: T&B TOOL#13642M T&B DIE CAT

MS-90485-8 DIE FOR WIRE SIZE AN-8 11781M

MS-90485-6 DIE FOR WIRE SIZE AN-6 11782M

MS-90485-4 DIE FOR WIRE SIZE AN-4 11783M

CLASS 2

1-TBM6 TOOL

T&B CAT. NO. 11803 & DIES FOR WIRE SIZE AN-6 & AN-8

T&B CAT. NO. 11805 & DIES FOR WIRE SIZE AN-4

2-13642M TOOL -12 TON HEAD (MS-25441-1)

T&B CAT. NO. 13651 & 13650 DIES FOR WIRE SIZE AN-8

T&B CAT. NO. 13652 & 13650 DIES FOR WIRE SIZE AN-6

T&B CAT. NO. 13653 & 13650 DIES FOR WIRE SIZE AN-4

GENERAL NOTES

1. ALL DIMENSIONS ARE FOR REFERENCE ONLY.
2. DIMENSIONS IN BRACKETS [] ARE IN METRIC UNITS.

Thomas & Betts
www.tnb.com**DESCRIPTION: UNINSULATED STA-KON TERMINALS CONFORMING TO MS-20659 FOR 8 ,6 & 4 WIRE****REVISIONS**- SEE ERN (2005618) FOR APPROVAL SIGNATURES & RELEASE DATE.
PROJECT NO: TM401323

ORIGINAL PROJECT NO / (ERN NO)

TM401323 / (2005618)

SHEET NO:

2 OF 2

REV. NO:

-

DRAWING NO:

WSD-000168