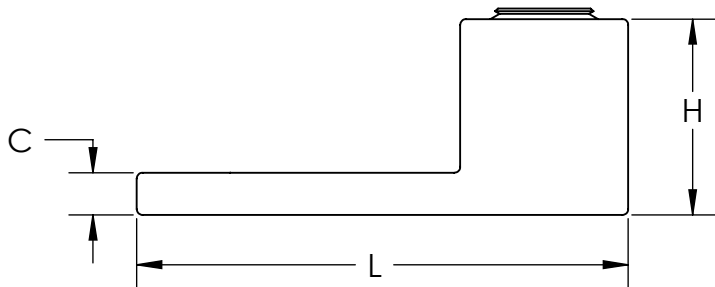
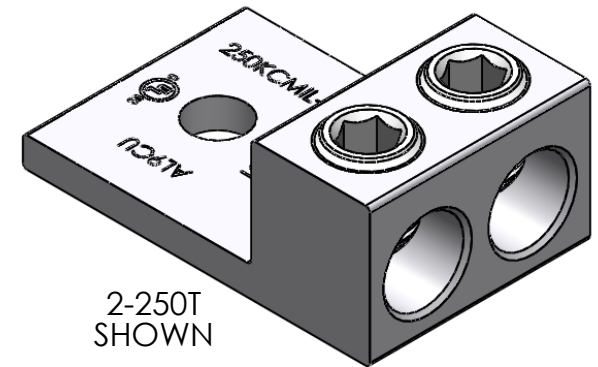
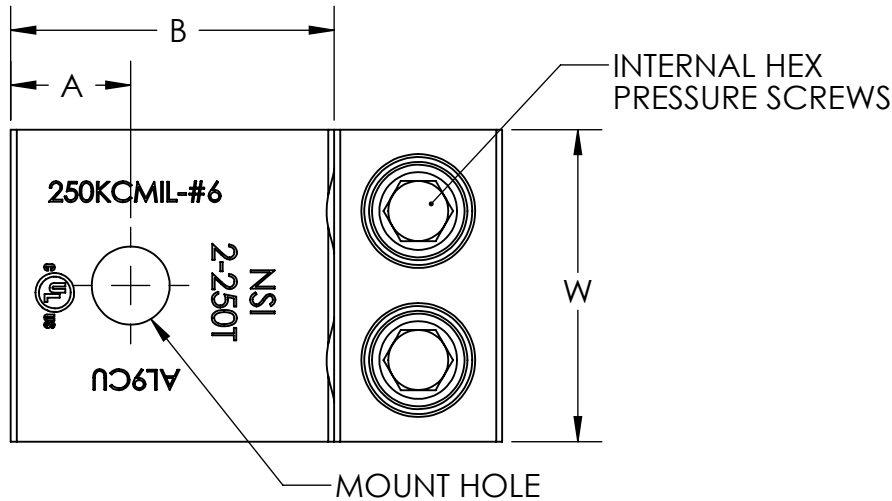




PART#	WIRE RANGE	HEX SIZE	L	H	W	A	B	C	MOUNT HOLE
2-0T	1/0 - 14 AWG	3/16	1.47	.79	1.13	.44	.84	.19	1/4
2-2/0T	2/0 - 14 AWG	3/16	1.47	.79	1.25	.44	.84	.19	1/4
2-250T	250KCMIL - 6 AWG	5/16	2.56	1.02	1.63	.63	1.69	.22	3/8
2-350T	350KCMIL - 6 AWG	5/16	2.88	1.13	1.92	.63	1.88	.25	3/8
2-600T	600KCMIL - 2 AWG	3/8	3.18	1.51	2.41	.63	1.93	.38	1/2
2-800T	800 - 300KCMIL	1/2	3.25	1.69	2.75	.88	1.88	.44	1/2
2-1000T	1000 - 500KCMIL	9/16	3.25	1.88	3.19	.88	1.75	.44	1/2



- NOTES:
1. TIN PLATED 6061-T6511 ALUMINUM ALLOY.
 2. UL LISTED 90° C FOR COPPER AND ALUMINIUM CONDUCTOR.

CONTACT NSi FOR SALES @ 800.321.5847

PROPRIETARY AND CONFIDENTIAL	
9730 Northcross Center Court, Huntersville, NC 28078	
THE INFORMATION CONTAINED IN THIS DRAWING IS THE SOLE PROPERTY OF NSi Industries, LLC. Any REPRODUCTION IN PART OR AS A WHOLE WITHOUT THE WRITTEN PERMISSION OF POLARIS SALES CO. INC. IS PROHIBITED.	
TITLE: NSi TWO PORT LUG SERIES	
DWG. NO. 2-_T-SERIES	
NAME KM	DATE 9/17/2012
MATERIAL: SEE NOTE	
SCALE: 1:1	
SHEET: 1 OF 1	