

Twist-Lock® Devices



**30 Amp, 125/250 and 3Ø 250 Volts AC
3 Pole, 3 Wire, Non-Grounding and
3 Pole, 4 Wire, Grounding**



30A 125/250V AC
NEMA L10-30R

30A 125/250V AC
NEMA L14-30R
2 (2) HP

30A 3Ø 250V AC
NEMA L15-30R
3 HP

Connector Bodies

Watertight Safety-Shroud®

IP66 SUITABILITY UL Type 4x, 12

| Description | Cord Dia. | Catalog Number | | |
|--|------------------------|----------------|------------------|------------------|
| Black Valox® housing, white Valox® clamps. | .350"-1.150" (9-29) | - | HBL2713SW | HBL2723SW |
| Reverse service, black Valox® housing, white Valox® clamps (use with HBL2715SWR), (Not shown). | .350"-1.150" (9-29) | - | HBL2713SR | - |



HBL2713SW

Insulgrip®

IP20 SUITABILITY

| Description | Cord Dia. | Catalog Number | | |
|-------------------------------------|---------------------------|----------------|------------------|------------------|
| Black and white nylon. | .350"-1.150" (9-29) | - | HBL2713 | HBL2723 |
| Black and white nylon, (Not shown). | .300"-.950" (7.6-24.1) | HBL2663 | - | - |
| Corrosion resistant, yellow nylon. | .350"-1.150" (9-29) | - | HBL27CM13 | HBL27CM23 |
| All black nylon. | .350"-1.150" (9-29) | - | HBL2713BK | - |



HBL2713

Note: See page B-52 for accessories.

Receptacles

Watertight Safety-Shroud®

IP66 SUITABILITY UL Type 4x, 12

| Description | Catalog Number | | |
|---|----------------|------------------|------------------|
| Gray Valox® housing and flange, back wired. | - | HBL2710SW | HBL2720SW |

Note: See page B-54 for accessories.

Safety-Shroud® Twist-Lock®

IP20 SUITABILITY

| Description | Catalog Number | | |
|---|----------------|-------------------|-------------------|
| Gray Valox® angle housing, one gang, back wired. | - | HBL2710AR | HBL2720AR |
| Gray Valox® surface mounting, one gang, back wired. | - | HBL2710SR | HBL2720SR |
| Gray Valox® semi-flush, two gang, back wired. | - | HBL2710SR2 | HBL2720SR2 |



HBL2710SW

Single Flush Receptacles

IP20 SUITABILITY

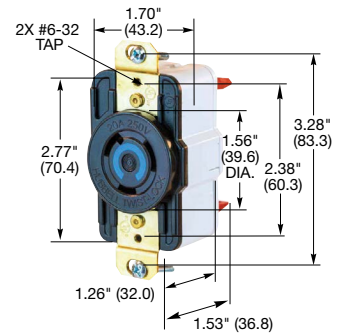
| Description | Catalog Number | | |
|--|----------------|------------------|------------------|
| Black nylon face, back and side wired. | - | HBL2710 | HBL2720 |
| Black and white nylon, spring termination. | - | HBL2710ST | HBL2720ST |
| Black nylon face, back and side wired, (Not shown). | HBL2660 | - | - |
| Isolated ground, orange nylon face, back and side wired. | - | IG2710 | IG2720 |
| Ring terminal connection. | - | HBL2710RT | HBL2720RT |

Note: See page B-52 for accessories.

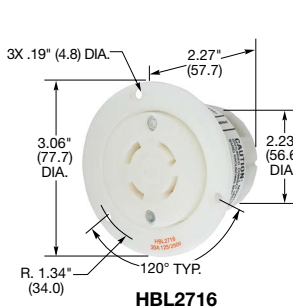
Insulgrip® Flanged Receptacles

| Description | Catalog Number | | |
|---------------------------|----------------|----------------|----------------|
| Nylon casing, back wired. | - | HBL2716 | HBL2726 |

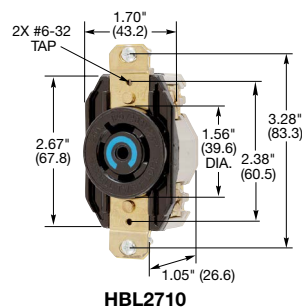
Note: See page B-52 for accessories.



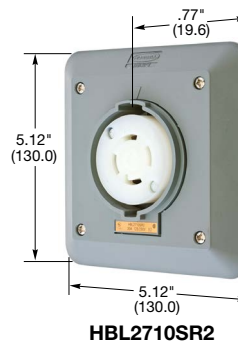
HBL2720ST



HBL2716



HBL2710



HBL2710SR2



HBL2710SR

Valox® is a trademark of SABIC Innovative Plastics, acquired from General Electric Company.

Dimensions in Inches (mm)