

**CLAMP COVER, TYPE 4**

**INDUSTRY STANDARDS**

UL 50, 50E Listed; Type 4, 12, 13; File No. E27525  
 cUL Listed per CSA C22.2 No. 94; Type 4, 12, 13; File No. E27525  
 UL 508A Listed; Type 4, 12, 13; File No. E61997  
 cUL Listed per CSA C22.2 No. 94; Type 4, 12, 13; File No. E61997

NEMA/EEMAC Type 4, 12, 13  
 CSA, File No. 42184: Type 4, 12  
 IEC 60529, IP66

**APPLICATION**

Clamps on all four sides securely close this enclosure to protect components in indoor or outdoor applications, yet are easy to remove for access and modifications.

**SPECIFICATIONS**

- 16 or 14 gauge steel
- Seams continuously welded and ground smooth
- Stainless steel screw-down clamps on four sides of door
- Bonding provision on cover
- Oil-resistant gasket
- Weldnuts provided for mounting optional panels and terminal block kits in size 6.00 x 4.00 in. (152 x 102 mm) and larger
- External welded-on mounting brackets for easy installation

**FINISH**

ANSI 61 gray polyester powder paint inside and out

**ACCESSORIES**

*See also Accessories.*

Fast-Operating Clamp-Cover Junction Box Clamp Panels for Junction Boxes  
 Junction Box and Wall-Mount Enclosure Swing Out Panel Kit  
 Terminal Block Kit Assembly for Junction Boxes

**MODIFICATION AND CUSTOMIZATION**

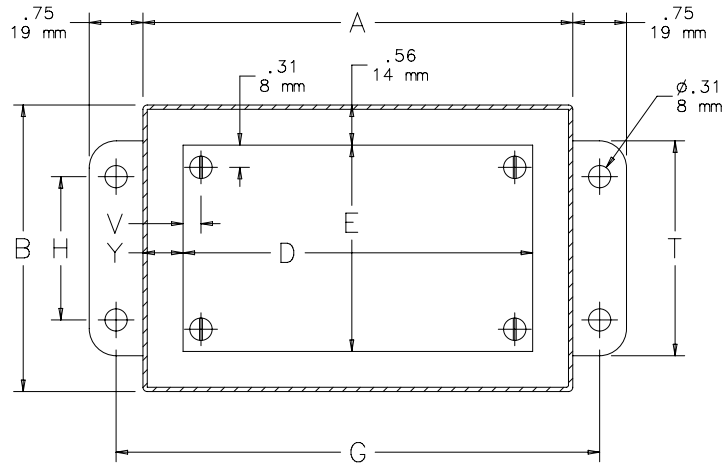
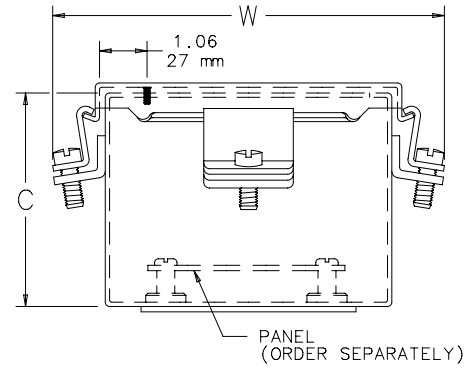
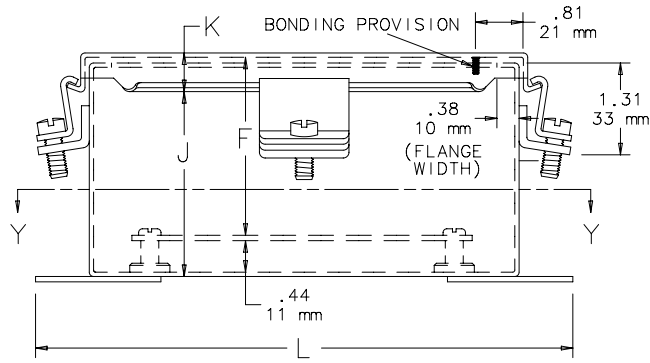
Hoffman excels at modifying and customizing products to your specifications. Contact your local Hoffman sales office or distributor for complete information.

**BULLETIN: A51NF**

**Standard Product**

Catalog Number	AxBxC in./mm	UL Listed	Gauge	Panel	Conductive Panel	Panel Size D x E in./mm	Mounting G x H in./mm	Overall L x W in./mm	F in./mm	J in./mm	K in./mm	M in./mm	N in./mm	T in./mm	V in./mm	Y in./mm
A404NF	4.00 x 4.00 x 3.00 102 x 102 x 76	508A	16	No Panel	No Panel	No Panel	4.75 x 2.00 121 x 51	5.50 x 5.38 140 x 137	—	2.62 66	0.54 14	1.38 35	1.38 35	3.00 76	—	—
A604NF	6.00 x 4.00 x 3.00 152 x 102 x 76	508A	16	A6P4	A6P4G	4.88 x 2.88 124 x 73	6.75 x 2.00 171 x 51	7.50 x 5.38 191 x 137	2.53 64	2.62 66	0.54 14	1.38 35	2.38 60	3.00 76	0.31 8	0.56 14
A806NF	8.00 x 6.00 x 3.50 203 x 152 x 89	50, 50E	14	A8P6	A8P6G	6.75 x 4.88 171 x 124	8.75 x 4.00 222 x 102	9.50 x 7.38 241 x 187	3.03 77	3.12 79	0.56 14	2.38 60	3.38 86	5.00 127	0.25 6	0.62 16
A606NF	6.00 x 6.00 x 4.00 152 x 152 x 102	50, 50E	16	A6P6	A6P6G	4.88 x 4.88 124 x 124	6.75 x 4.00 171 x 102	7.50 x 7.38 191 x 187	3.53 90	3.62 92	0.54 14	2.38 60	2.38 60	5.00 127	0.31 8	0.56 14
A1008NF	10.00 x 8.00 x 4.00 254 x 203 x 102	50, 50E	14	A10P8	A10P8G	8.75 x 6.88 222 x 175	10.75 x 6.00 273 x 152	11.50 x 9.38 292 x 238	3.53 90	3.62 92	0.56 14	3.38 86	1.50 38	7.00 178	0.25 6	0.62 16
A1210NF	12.00 x 10.00 x 5.00 305 x 254 x 127	50, 50E	14	A12P10	A12P10G	10.75 x 8.88 273 x 225	12.75 x 8.00 324 x 203	13.50 x 11.38 343 x 289	4.53 115	4.62 117	0.56 14	2.00 51	3.00 76	9.00 229	0.25 6	0.62 16
A1412NF	14.00 x 12.00 x 6.00 356 x 305 x 152	50, 50E	14	A14P12	A14P12G	12.75 x 10.88 324 x 276	14.75 x 10.00 375 x 254	15.50 x 13.38 394 x 340	5.53 140	5.62 143	0.56 14	2.00 51	3.00 76	11.00 279	0.25 6	0.62 16
A1614NF	16.00 x 14.00 x 6.00 406 x 356 x 152	50, 50E	14	A16P14	A16P14G	14.75 x 12.88 375 x 327	16.75 x 12.00 425 x 305	17.50 x 15.38 445 x 391	5.53 140	5.62 143	0.56 14	3.50 89	1.50 38	13.00 330	0.25 6	0.62 16

Purchase panels separately. Optional stainless steel, conductive, composite and aluminum panels are available for most sizes.



SECTION Y-Y

Clamp Bracket Locations

