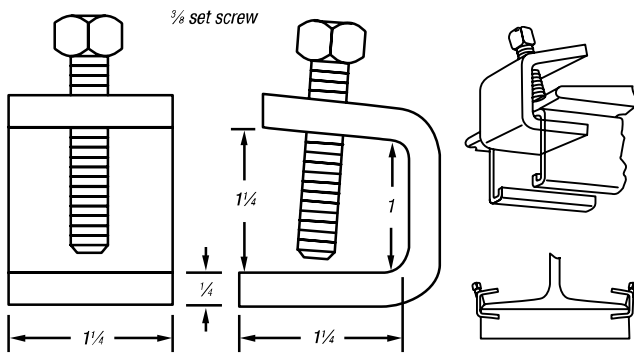


Beam Clamps and Hanger Rod Supports

U514 Channel Support

Supports any size Kindorf® channel. Clamps to I-beam where flange edge does not exceed .8" thickness.



CAT. NO.	LOAD RATING (LBS.)	WT. LBS./C
U514	800	44

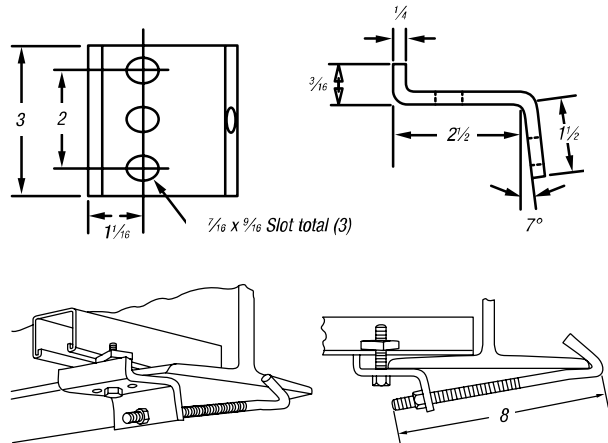
Load rating is 800 lbs. with a safety factor of 3.

1/4" steel.

Galv-Krom® finish.

E-781 Single-Beam Clamp

For use in attaching channel on top of beam flange with slot side down. Members are shipped assembled for easy installation.

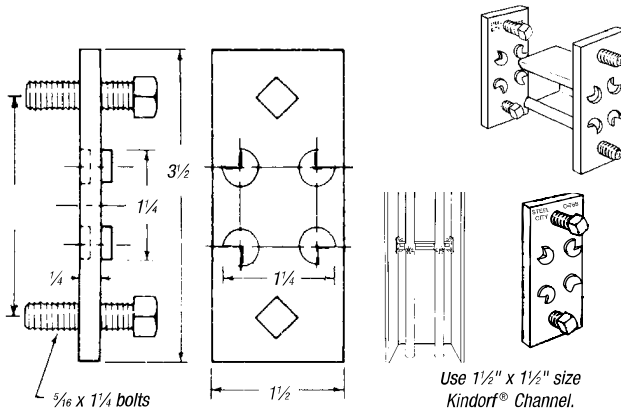


CAT. NO.	WT. LBS./C
E-781	133

Galv-Krom® finish.

E-768 Column Mount Support

For use with 1 1/2" x 1 1/2" channel. Provides a rigid support between 'H' beam flanges for mounting pipe, conduit, outlet boxes and panel boards.



CAT. NO.	LOAD RATING (LBS.)	WT. LBS./C
E-768	800	50

Two E-768's required for installation.

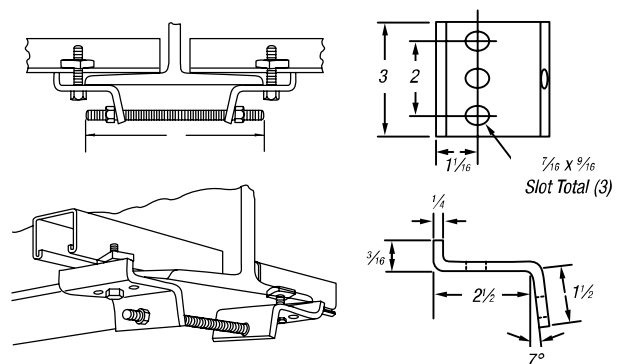
Use C-105, C-106 or C-107 straps for mounting 1/2" to 8" pipe on channel section.

Load rating of 800# with a safety factor of 3.

Galv-Krom® finish.

E-782 Double-Beam Clamp

For use in attaching channel on both sides of a beam flange with slot side down. Members are shipped assembled for easy installation.



CAT. NO.	WT. LBS./C
E-782	235

Galv-Krom® finish.