

**SCREW- OR HINGE-COVER WITH QUICK-RELEASE LATCH, TYPE 4X**

**INDUSTRY STANDARDS**

Mounting brackets required to meet UL/CSA external mounting requirements.

UL 508A Listed; Type 3, 3R, 4, 4X, 12, 13; File No. E61997  
 cUL Listed per CSA C22.2 No 94; Type 3, 3R, 4, 4X, 12, 13;  
 File No. E61997  
 Enclosure flammability evaluated per UL 508A  
 Window flammability evaluated per UL 508A

NEMA/EEMAC Type 3, 3R, 4, 4X, 12, 13  
 CSA File No. 42186: Type 3R, 4, 4X, 12  
 IEC 60529, IP66

Meets NEMA Type 3RX requirements

**APPLICATION**

Able to withstand harsh environments, these small enclosures feature a simple, traditional non-metallic design that is suitable for a broad range of applications.

**SPECIFICATIONS**

- Compression-molded fiberglass material has excellent temperature and chemical resistance qualities and exhibits outstanding physical properties
- Fiberglass material is easily punched, drilled, filed or sawed
- Seamless foam-in-place gasket assures water-tight and dust-tight seal
- Threaded internal bosses provided for mounting optional panels and terminal block kits

- Polycarbonate windows are permanently bonded in place
- Screw-cover enclosures have easily removable covers attached to body with internal plated steel hinges. Cover securely fastens to the body with four captivated Type 316 stainless steel cover screws.
- Enclosures with quick-release latches have corrosion-resistant polyester hinges and polyester latches with a Type 316L stainless steel bail. Attached with Type 316 stainless steel screws. A Type 316L stainless steel padlock hasp is furnished with each enclosure.
- Sealing washers are furnished with enclosure
- Material is halogen free

**FINISH**

Standard fiberglass material finish is light-gray inside and out. Optional steel panels are painted white. Optional stainless steel, aluminum and composite panels are unpainted.

**ACCESSORIES**

H2OMIT Vent Drains, Type 4X  
 HOL-SEALERS Non-Metallic Hole Seals  
 Panels for Junction Boxes

**MODIFICATION AND CUSTOMIZATION**

Hoffman excels at modifying and customizing products to your specifications. Contact your local Hoffman sales office or distributor for complete information.

**BULLETIN: A50**
**Standard Product Solid Cover with Screws**

Catalog Number	Inside Dimensions		Steel Panel	Aluminum Panel	Panel Size D x E in./mm	Mounting G x H in./mm	Overall						
	A x B x C in./mm	A x B x C in./mm					L x W in./mm	F in./mm	J in./mm	K in./mm	V in./mm	X in./mm	Y in./mm
A645JFGR	6.00 x 4.00 x 5.00	5.50 x 4.00 x 4.94	No Panel	No Panel	No Panel	4.75 x 2.00	6.00 x 4.50	4.41	4.13	1.00	-	4.22	3.59
	152 x 102 x 127	140 x 102 x 125			No Panel	121 x 51	152 x 114	112	105	25	-	107	91
A845JFGR	8.00 x 4.00 x 5.00	7.50 x 4.00 x 4.94	A6P4	A6P4AL	4.88 x 2.88	6.75 x 2.00	8.00 x 4.50	4.41	4.13	1.00	0.31	6.22	3.59
	203 x 102 x 127	191 x 102 x 125			124 x 73	171 x 51	203 x 114	112	105	25	8	158	91
A865JFGR	8.00 x 6.00 x 5.00	7.50 x 6.00 x 5.19	A6P6	A6P6AL	4.88 x 4.88	6.75 x 4.00	8.00 x 6.50	4.66	4.38	1.00	0.31	6.22	5.59
	203 x 152 x 127	191 x 152 x 132			124 x 124	171 x 102	203 x 165	118	111	25	8	158	142
A1066JFGR	10.00 x 6.00 x 6.00	9.50 x 6.00 x 5.69	A8P6	A8P6AL	6.75 x 4.88	8.75 x 4.00	10.00 x 6.50	5.16	4.63	1.25	0.25	8.12	5.50
	254 x 152 x 152	241 x 152 x 145			171 x 124	222 x 102	254 x 165	131	118	32	6	206	140
A1287JFGR	12.00 x 8.00 x 7.00	11.50 x 8.00 x 6.69	A10P8	A10P8AL	8.75 x 6.88	10.75 x 6.00	12.00 x 8.50	6.16	5.13	1.75	0.25	9.97	7.34
	305 x 203 x 178	292 x 203 x 170			222 x 175	273 x 152	305 x 216	156	130	44	6	253	186
A14107JFGR	14.00 x 10.00 x 7.00	13.50 x 10.00 x 7.19	A12P10	A12P10AL	10.75 x 8.88	12.75 x 8.00	14.00 x 10.50	6.66	5.63	1.75	0.25	11.97	9.34
	356 x 254 x 178	343 x 254 x 183			273 x 226	324 x 203	356 x 267	169	143	44	6	304	237
A16128JFGR	16.00 x 12.00 x 8.00	15.50 x 12.00 x 8.19	A14P12	A14P12AL	12.75 x 10.88	14.75 x 10.00	16.00 x 12.50	7.66	6.13	2.25	0.25	13.78	11.16
	406 x 305 x 203	394 x 305 x 208			324 x 276	375 x 254	406 x 318	195	156	57	6	350	283
A18149JFGR	18.00 x 14.00 x 9.00	17.50 x 14.00 x 8.69	A16P14	A16P14AL	14.75 x 12.88	16.75 x 12.00	18.00 x 14.50	8.16	6.63	2.25	0.25	15.78	13.16
	457 x 356 x 229	445 x 356 x 221			375 x 327	425 x 305	457 x 368	207	168	57	6	401	334

Purchase panels separately. Optional stainless steel, aluminum and composite material panels available for most sizes.

Standard Product **Solid Cover with Quick-Release Latches**

Catalog Number	AxBxC in./mm	Inside Dimensions		Steel Panel	Aluminum Panel	Panel Size		Mounting G x H in./mm	Overall L x W in./mm	F in./mm	J in./mm	K in./mm	V in./mm	X in./mm	Y in./mm	Number of Latches
		A x B x C in./mm	A x B x C in./mm			D x E in./mm	D x E in./mm									
A645JFGQRR	6.00 x 4.00 x 5.00	5.50 x 4.00 x 5.02	No Panel	No Panel	No Panel	4.75 x 2.00	6.00 x 5.39	4.50	4.13	1.00	-	4.22	3.59	1		
	152 x 102 x 127	140 x 102 x 128			No Panel	121 x 51	152 x 137	114	105	25	-	107	91			
A845JFGQRR	8.00 x 4.00 x 5.00	7.50 x 4.00 x 5.02	A6P4	A6P4AL	4.88 x 2.88	6.75 x 2.00	8.00 x 5.39	4.50	4.13	1.00	0.31	6.22	3.59	1		
	203 x 102 x 127	191 x 102 x 128			124 x 73	171 x 51	203 x 137	114	105	25	8	158	91			
A865JFGQRR	8.00 x 6.00 x 5.00	7.50 x 6.00 x 5.28	A6P6	A6P6AL	4.88 x 4.88	6.75 x 4.00	8.00 x 7.39	4.75	4.38	1.00	0.31	6.22	5.59	2		
	203 x 152 x 127	191 x 152 x 134			124 x 124	171 x 102	203 x 188	121	111	25	8	158	142			
A1066JFGQRR	10.00 x 6.00 x 6.00	9.50 x 6.00 x 5.78	A8P6	A8P6AL	6.75 x 4.88	8.75 x 4.00	10.00 x 7.39	5.25	4.63	1.25	0.25	8.12	5.50	2		
	254 x 152 x 152	241 x 152 x 147			171 x 124	222 x 102	254 x 188	133	118	32	6	206	140			
A1287JFGQRR	12.00 x 8.00 x 7.00	11.50 x 8.00 x 6.78	A10P8	A10P8AL	8.75 x 6.88	10.75 x 6.00	12.00 x 9.39	6.25	5.13	1.75	0.25	9.97	7.34	2		
	305 x 203 x 178	292 x 203 x 172			222 x 175	273 x 152	305 x 239	159	130	44	6	253	186			
A14107JFGQRR	14.00 x 10.00 x 7.00	13.50 x 10.00 x 7.28	A12P10	A12P10AL	10.75 x 8.88	12.75 x 8.00	14.00 x 11.39	6.75	5.63	1.75	0.25	11.97	9.34	2		
	356 x 254 x 178	343 x 254 x 185			273 x 226	324 x 203	256 x 289	171	143	44	6	304	237			
A16128JFGQRR	16.00 x 12.00 x 8.00	15.50 x 12.00 x 8.28	A14P12	A14P12AL	12.75 x 10.88	14.75 x 10.00	16.00 x 13.39	7.75	6.13	2.25	0.25	13.78	11.16	2		
	406 x 305 x 203	394 x 305 x 210			324 x 276	375 x 254	406 x 340	197	156	57	6	350	283			
A18149JFGQRR	18.00 x 14.00 x 9.00	17.50 x 14.00 x 8.78	A16P14	A16P14AL	14.75 x 12.88	16.75 x 12.00	18.00 x 15.39	8.25	6.63	2.25	0.25	15.78	13.16	2		
	457 x 356 x 229	445 x 356 x 223			375 x 327	425 x 305	457 x 391	210	168	57	6	401	334			

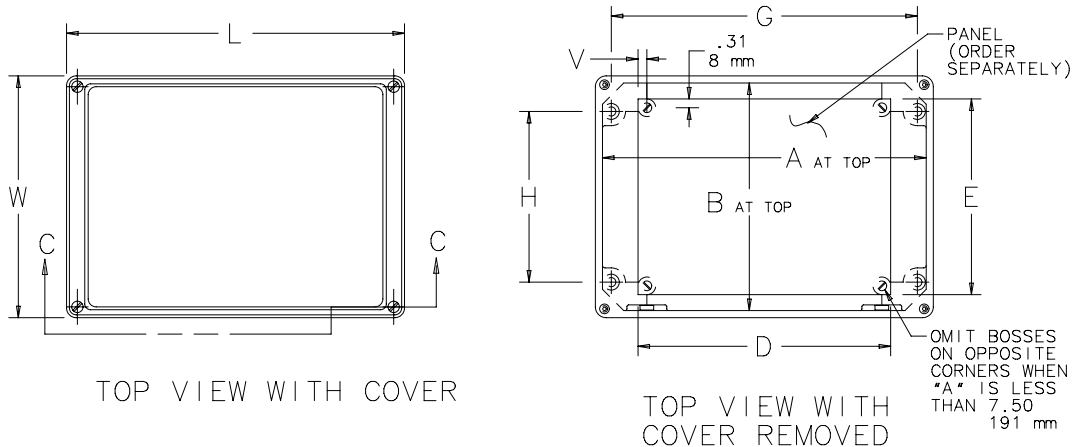
Purchase panels separately. Optional stainless steel, aluminum and composite material panels available for most sizes.

Standard Product **Window Cover with Quick-Release Latches**

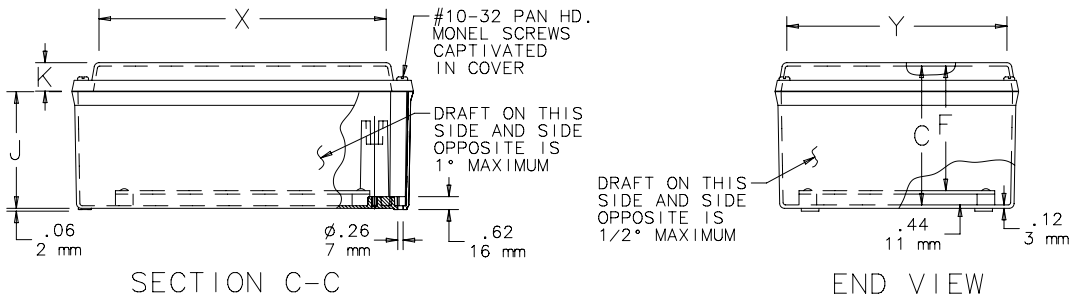
Catalog Number	AxBxC in./mm	Inside Dimensions		Steel Panel	Aluminum Panel	Panel Size		Mounting G x H in./mm	Overall L x W in./mm	Window Size					Number of Latches
		A x B x C in./mm	A x B x C in./mm			D x E in./mm	D x E in./mm			M x N in./mm	F in./mm	J in./mm	K in./mm	V in./mm	
A865JFGQRPWR	8.00 x 6.00 x 5.00	7.50 x 6.00 x 5.03	A6P6	A6P6AL	4.88 x 4.88	6.75 x 4.00	8.00 x 7.39	4.55 x 4.00	4.52	4.38	1.00	0.31	1		
	203 x 152 x 127	191 x 152 x 128			124 x 124	171 x 102	203 x 188	116 x 102	115	111	25	8			
A1066JFGQRPWR	10.00 x 6.00 x 6.00	9.50 x 6.00 x 5.53	A8P6	A8P6AL	6.75 x 4.88	8.75 x 4.00	10.00 x 7.39	6.55 x 4.00	5.00	4.63	1.25	0.25	2		
	254 x 152 x 152	241 x 152 x 140			171 x 124	222 x 102	254 x 188	166 x 102	127	118	32	6			
A1287JFGQRPWR	12.00 x 8.00 x 7.00	11.50 x 8.00 x 6.53	A10P8	A10P8AL	8.75 x 6.88	10.75 x 6.00	12.00 x 9.39	8.25 x 5.84	6.00	5.13	1.75	0.25	2		
	305 x 203 x 178	292 x 203 x 166			222 x 175	273 x 152	305 x 239	210 x 148	152	130	44	6			
A14107JFGQRPWR	14.00 x 10.00 x 7.00	13.50 x 10.00 x 7.03	A12P10	A12P10AL	10.75 x 8.88	12.75 x 8.00	14.00 x 11.39	10.28 x 6.84	6.52	5.63	1.75	0.25	2		
	356 x 254 x 178	343 x 254 x 179			273 x 226	324 x 203	253 x 289	261 x 174	166	143	44	6			
A16128JFGQRPWR	16.00 x 12.00 x 8.00	15.50 x 12.00 x 8.03	A14P12	A14P12AL	12.75 x 10.88	14.75 x 10.00	16.00 x 13.39	12.34 x 9.10	7.52	6.13	2.25	0.25	2		
	406 x 305 x 203	394 x 305 x 204			324 x 276	375 x 254	406 x 340	313 x 231	191	156	57	6			
A18149JFGQRPWR	18.00 x 14.00 x 9.00	17.50 x 14.00 x 8.53	A16P14	A16P14AL	14.75 x 12.88	16.75 x 12.00	18.00 x 15.39	14.45 x 11.06	8.00	6.63	2.25	0.25	2		
	457 x 356 x 229	445 x 356 x 217			375 x 327	425 x 305	457 x 391	367 x 281	203	168	57	6			

Purchase panels separately. Optional stainless steel, aluminum and composite material panels available for most sizes.

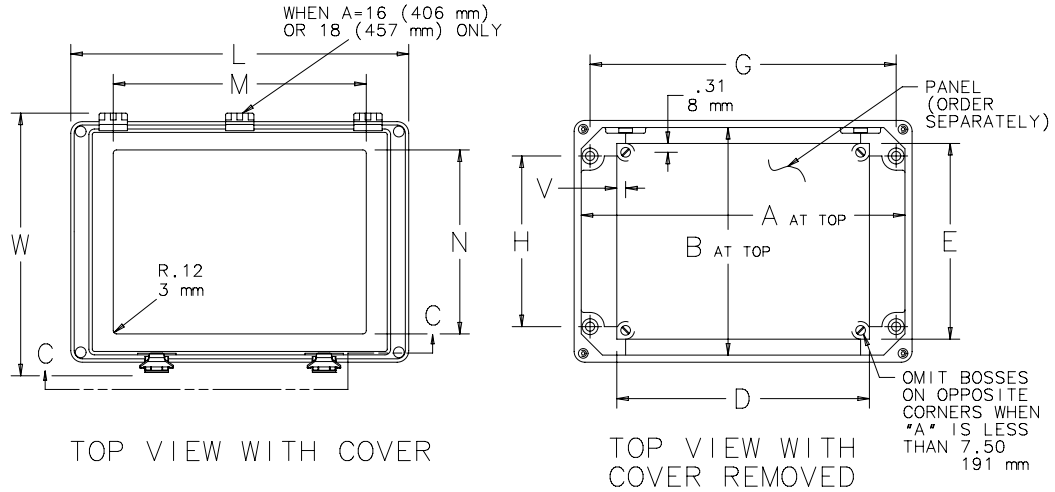
Solid Screw Cover Enclosure



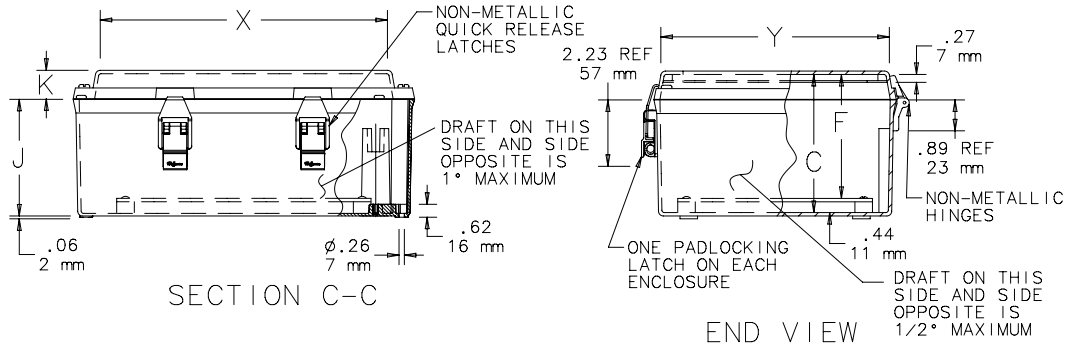
NOTE: Panel screws have #10-32 threads.



C2549-C

**Quick-Release Solid Cover Enclosure and Window Cover Enclosure**


NOTE: 1. Panel screws have #10-32 threads.  
2. Hinged cover opens 200° maximum.



C2550-C

**FIBERGLASS MOUNTING BRACKET KIT**


Bracket is molded from fiberglass reinforced polyester. Kit includes four brackets, hardware and installation instructions. Mounting hole dimensions with mounting brackets installed are:

$[G + 2.50 (64 \text{ mm})] \times [H + .50 (13 \text{ mm})]$

See *Screw- or Hinged-Cover with Quick-Release Latch, Type 4X tables for G and H dimensions.*

**BULLETIN: A50Y**

Catalog Number  
A50MFKR

## Notes