



Sturdy 19" PVC mounting post for ground mounted landscape lighting. Perfect for Lawn Lights, PAR-38 and Quartz Floods. Post is 2 1/2" pipe (2 7/8" O.D.) In-ground stabilizing grid. included.

Color: Black

Weight: 2.3 lbs

Project:	Type:
Prepared By:	Date:

Technical Specifications

Listings

UL Listing:

Suitable for wet locations. Fixtures with ground wire must be used.

Construction

Post Materials:

UL Schedule 40 PVC pipe

Set Screw:

Locks cap to post and prevents rotation

Cap:

PVC

Other

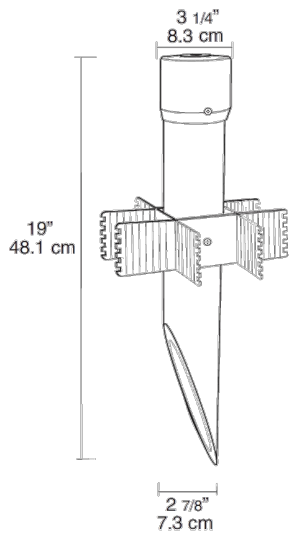
Patents:

Pat. D424,524.

Buy American Act Compliance:

RAB values USA manufacturing! Upon request, RAB may be able to manufacture this product to be compliant with the Buy American Act (BAA). Please contact customer service to request a quote for the product to be made BAA compliant.

Dimensions



Features

Cleanly styled molded PVC cap

Rugged extruded PVC pipe

Sturdy "Ground Grabber" stabilizer with teeth and ribs for maximum stability

Also available a 19" PVC post and an extra rugged Die cast aluminum cap for heavier HID floods

1/2" threaded hole fits standard floodlights & lawn lights

Thick wall PVC post with molded-in color

Post Adapter lets you add outlets and sensors