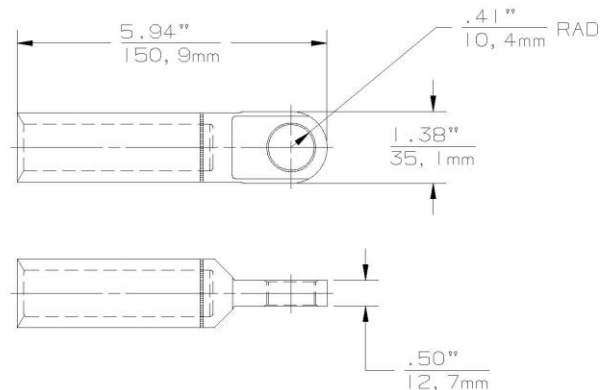


ALL	600A Compression Lug (Aluminum)	03700XXX
-----	---------------------------------	----------



The **03700XXX** aluminum crimp barrel connector is designed to be used with Elastimold 15/25/35kV Class 600A deadbreak elbow and splice products. Connectors may be used with both copper and aluminum conductors.

XXX Code	Conductor Size AWG or kcmil		
	Strand./ Compr.	Solid/ Comp.	Connector Code
210	-	#2	03700210
220	#2	#1	03700220
230	#1	1/0	03700230
240	1/0	2/0	03700240
250	2/0	3/0	03700250
260	3/0	4/0	03700260
270	4/0	250	03700270
280	250	300	03700280
290	300	350	03700290
300	350	400	03700300
310	400	450/500	03700310
320	450	550	03700320
330	500	600	03700330
340	550	650	03700340
350	600	700	03700350
360	650	750	03700360
380	700/750	800/900	03700380
390	800	-	03700390
400	900	1000	03700400
410	1000	-	03700410
420	-	1250	03700420
440	1250	-	03700440



Ordering Instructions:

To order a connector, specify 03700XXX

Example:

For a 1/0 stranded cable, the connector code would be 03700240.

Each kit contains the following:

- | | | |
|---|-------------|----------|
| 1 | Connector | 03700XXX |
| 1 | Crimp Chart | CC-0050 |