



**Product Datasheet**

**ANDERSON FARGO**

**WTT2154030 -- Tee, Aluminum Weldment**



Tee, Aluminum Weldment, Angle, Tube to Two Tubes, 4 to 3 IPS/EHIPS tubes

**Product Specifications**

Family Image



Tees

Tees



**WTT2-15 Series**  
Tube to Two Tubes, 15 Degree  
Aluminum Weldment Tees

PDF Catalog Page

[Click HERE to view the web page.](#)

Dimension A

3.00 in (76.2 mm)

Dimension B

11.25 in (285.8 mm)

Dimension C

5.69 in (144.5 mm)

Dimension L

5.13 in (130.2 mm)

Material Type

Non-Standard

UPC Code

09635934354

Standard Package

1

Standard Package Unit

Each

Min Order Qty

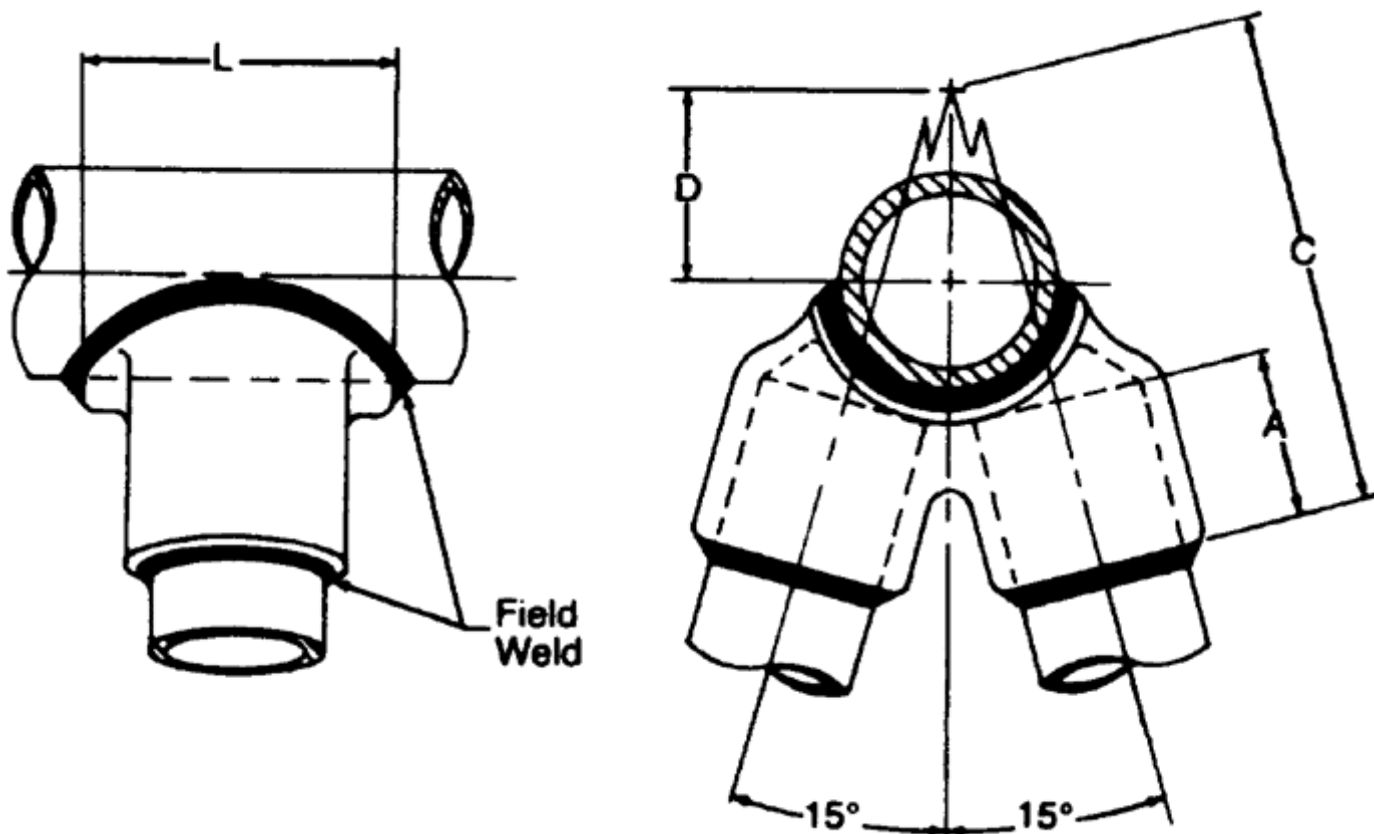
1

Weight / Ea.

6.762 lbs

**Compressed Product Number**

WTT2154030



[Catalog Home](#)



[Warranty Info](#) | [Trademarks](#) | [Terms of Use](#)

*All contents Copyright © 2007 Hubbell Power Systems, Inc. All rights reserved.*

NOTE: Because Hubbell has a policy of continuous product improvement, we reserve the right to change design and specifications without notice.