

EMT Angle Set Screw Connectors

NEC/CEC:
Rated for Ordinary Locations

NEC/CEC:
Rated for Ordinary Locations

Type 8000SS

Features

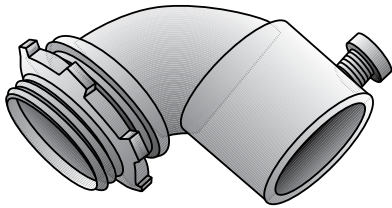
- Male hub threads NPS.

Standard Materials

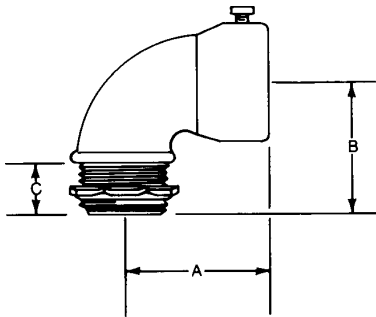
- Malleable iron

Standard Finishes

- Zinc plated



Illustrated Dimensions



Trade Size (Inches)	Dimensions in Millimeters (Inches)			Catalog Number
	A	B	C	
1/2	28.70 (1.13)	28.70 (1.13)	12.70 (0.5)	8050SS
3/4	36.58 (1.44)	36.58 (1.44)	11.18 (0.44)	8075SS
1	41.40 (1.63)	41.40 (1.63)	11.18 (0.44)	8100SS

Type OE

Features

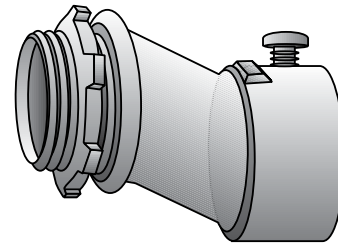
- Male hub threads NPS.

Standard Materials

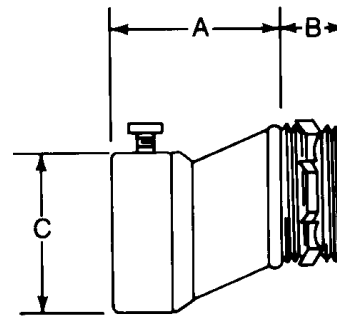
- Malleable iron

Standard Finishes

- Zinc plated



Illustrated Dimensions



Trade Size (Inches)	Dimensions in Millimeters (Inches)			Catalog Number
	A	B	C	
1/2	42.93 (1.69)	12.70 (0.5)	16.00 (0.63)	OE-50
3/4	42.93 (1.69)	12.70 (0.5)	16.00 (0.63)	OE-75
1	44.45 (1.75)	14.22 (0.56)	17.53 (0.69)	OE-100

EMT Angle Compression Connectors

NEC/CEC:
Listed for Ordinary Locations

Features

- Concretetight.
- Male hub threads NPS
- Available with insulated throat

Standard Materials

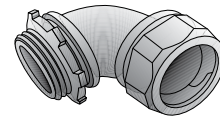
- Malleable iron

Standard Finishes

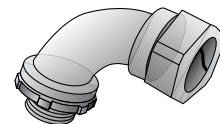
- Zinc plated

NEC/CEC Certifications and Compliances

- UL Standard: ANSI/UL 514B
- UL Listed: E-14895
- CSA Standard: C22.2 No. 18
- CSA Certified: 9795

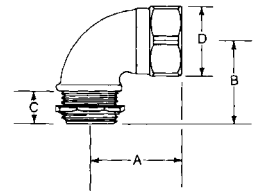


Type 8050W

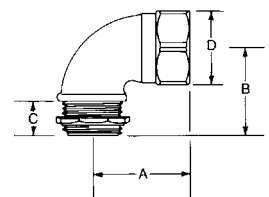


Type 3050W

Trade Size (Inches)	Dimensions in Millimeters (Inches)					Catalog Number	Insulated Throat Catalog Number
	A	B	C	D	Turning Radius		
1/2	31.75 (1.25)	28.70 (1.13)	12.70 (0.5)	28.70 (1.13)	16.00 (0.63)	8050W	8050WT
3/4	44.45 (1.75)	36.58 (1.44)	14.22 (0.56)	35.05 (1.38)	17.53 (0.69)	8075W	8075WT
1	44.45 (1.75)	41.40 (1.63)	12.70 (0.50)	44.45 (1.75)	26.92 (1.06)	8100W	—
1-1/4	57.15 (2.25)	54.10 (2.13)	14.22 (0.56)	55.63 (2.19)	28.70 (1.13)	8125W	—
1-1/2	63.50 (2.50)	60.45 (2.38)	14.22 (0.56)	63.50 (2.50)	41.40 (1.63)	8150W	—
2	77.72 (3.06)	74.68 (2.94)	17.53 (0.69)	77.72 (3.06)	63.50 (2.50)	8200W	—



Trade Size (Inches)	Dimensions in Millimeters (Inches)					Wire Radius	Catalog Number
	A	B	C	D	Wire Radius		
1/2	50.80 (2.00)	49.28 (1.94)	12.70 (0.50)	28.70 (1.13)	31.75 (1.25)	3050W	
3/4	61.98 (2.44)	61.98 (2.44)	16.00 (0.63)	35.05 (1.38)	36.58 (1.44)	3075W	
1	66.80 (2.63)	65.02 (2.56)	17.53 (0.69)	44.45 (1.75)	47.75 (1.88)	3100W	
1-1/4	77.72 (3.06)	76.20 (3.00)	42.93 (1.69)	55.63 (2.19)	57.15 (2.25)	3125W	



EMT Angle Compression Connectors

NEC/CEC:
Rated for Ordinary Locations

Features

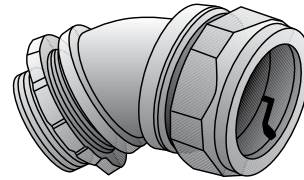
- Male hub threads NPS.

Standard Materials

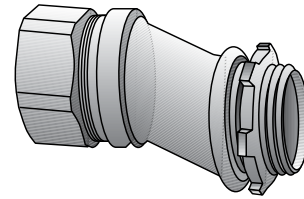
- Malleable iron

Standard Finishes

- Zinc plated

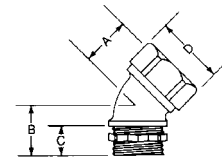


Type 8E



Type OEG

Trade Size (Inches)	Dimensions in Millimeters (Inches)				Catalog Number
	A	B	Offset C	D	
45° Short Angle Elbows					
1/2	23.88 (0.94)	23.88 (0.94)	12.70 (0.5)	28.70 (1.13)	8E-450
3/4	20.57 (0.81)	31.75 (1.25)	14.22 (0.56)	35.05 (1.38)	8E-475
1	22.35 (0.88)	36.58 (1.44)	16.00 (0.63)	44.45 (1.75)	8E-4100



Trade Size (Inches)	Dimensions in Millimeters (Inches)				Catalog Number
	A	B	Offset C	D	
Offset Connectors for EMT					
1/2	31.75 (1.25)	12.70 (0.50)	9.65 (0.38)	28.70 (1.13)	OEG-50
3/4	33.27 (1.31)	12.70 (0.50)	9.65 (0.38)	35.05 (1.38)	OEG-75
1	33.27 (1.31)	14.22 (0.56)	9.65 (0.38)	44.45 (1.75)	OEG-100

