

15kV	200A Loadbreak Bushing Insert	1601A4
------	-------------------------------	--------



Features:

- 15kV, 200 Amp Loadbreak Rated
- Red PBT interface shield reduces sticking
- Red PBT Interface shield provides seating indicator
- Red PBT indicates 15kV class
- Includes hex-broach for torque installation
- Peroxide-cured insulation and jacket
- Provision for ground wire connection
- All copper current path

1601A4 Loadbreak Bushing Insert

Applications:

The Elastimold® 1601A4 bushing insert is fully rated with a 15kV class, 200 Amp load break bushing interface. The load break bushing insert fits a standard ANSI bushing well interface and becomes the apparatus bushing interface for elbow connections. It may be used as the bushing interface for connecting shielded cable to the following:

- Sub-surface transformers
- Generators
- Pad mounted transformers
- Regulators
- Switchgear
- Reclosers

Designed for use as an apparatus bushing interface, the 1601A4 is easily installed in an Elastimold® universal bushing well and mated with an appropriate Elastimold® product.

Ratings:

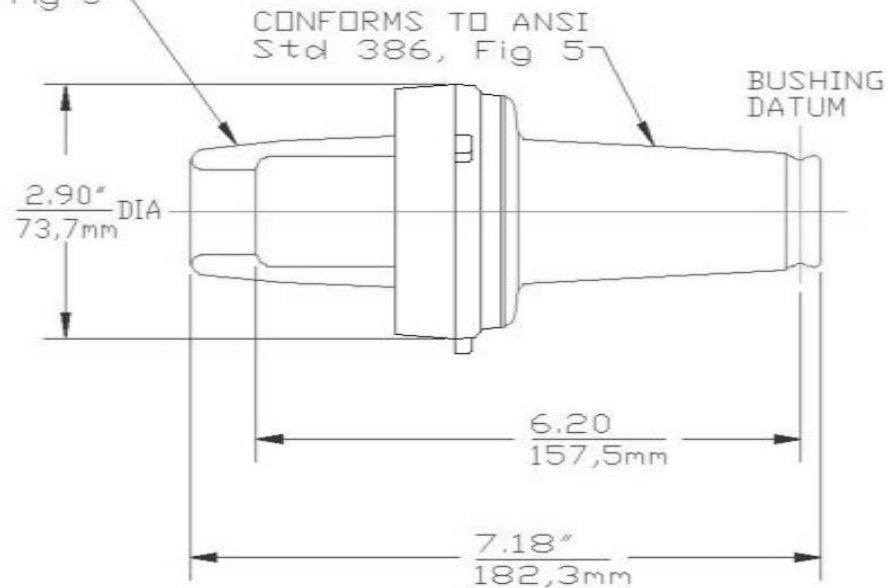
Meets ANSI/IEEE Standard 386, Latest Revision

For 15kV Voltage Class:

8.3kV Max Phase-to-Ground – Operating Voltage
 14.4kV Max Phase-to-Phase
 95kV BIL – Impulse Withstand (1.2 x 50 microsecond wave)
 34kV AC – One minute withstand
 53kV DC – 15 minutes withstand
 11kV AC – Corona Extinction @ 3pC sensitivity
 200 Amp – Continuous and Loadbreak
 10kA Sym – 10 Cycles Momentary & Fault Close

15kV	200A Loadbreak Bushing Insert	1601A4
------	-------------------------------	--------

MATES WITH BUSHING
WELLS CONFORMING TO
ANSI Std 386, Fig 3



Ordering Instructions:

To order, specify number **1601A4** bushing insert.

Each kit contains the following:

1	Bushing Insert	1601A4
1	Protective shipping cap	1601-APC-1
1	Lubricant	82-08
1	Installation Instruction	IS-0749

Notes:

- Includes internal torquing feature using 200AT Assembly Tool
- Includes a Red PBT Interface Shield